



US00D783522S

(12) **United States Design Patent**
Cameron

(10) **Patent No.:** **US D783,522 S**
(45) **Date of Patent:** **** Apr. 11, 2017**

- (54) **SOLAR PANEL ARRANGEMENT**
- (71) Applicant: **James Francis Cameron**, Encino, CA (US)
- (72) Inventor: **James Francis Cameron**, Encino, CA (US)
- (**) Term: **15 Years**
- (21) Appl. No.: **29/527,016**
- (22) Filed: **May 14, 2015**
- (51) **LOC (10) Cl.** **13-02**
- (52) **U.S. Cl.**
USPC **D13/102**
- (58) **Field of Classification Search**
USPC D13/102, 101, 103, 118, 119, 184, 199;
126/561, 667; 136/206, 244, 251, 291,
136/292; 438/597
CPC Y02E 10/47; Y02E 10/50; Y02E 10/52;
H02S 20/00; F24J 2/5237
See application file for complete search history.

D693,563 S *	11/2013	Akin	D13/102
D701,828 S *	4/2014	Garrett-Schesch	D13/102
D712,824 S *	9/2014	Pauschitz	D13/102
D724,524 S *	3/2015	Garrett-Schesch	D13/102
D758,298 S *	6/2016	Akin	D13/102
2011/0114080 A1*	5/2011	Childers	F03G 7/06 126/601
2011/0133689 A1*	6/2011	Uchihashi	H02J 7/0054 320/101
2012/0025750 A1*	2/2012	Margo	H01M 10/465 320/101
2012/0204925 A1*	8/2012	Lyden	H01L 31/042 136/244
2012/0228442 A1*	9/2012	Clifton	F24J 2/523 248/163.1

* cited by examiner

Primary Examiner — Derrick Holland
Assistant Examiner — Jennifer O King
(74) *Attorney, Agent, or Firm* — Hankin Patent Law, APC; Kevin Schraven; Anooj Patel

(57) **CLAIM**

The ornamental design for a solar panel arrangement, as shown and described.

(56) **References Cited**

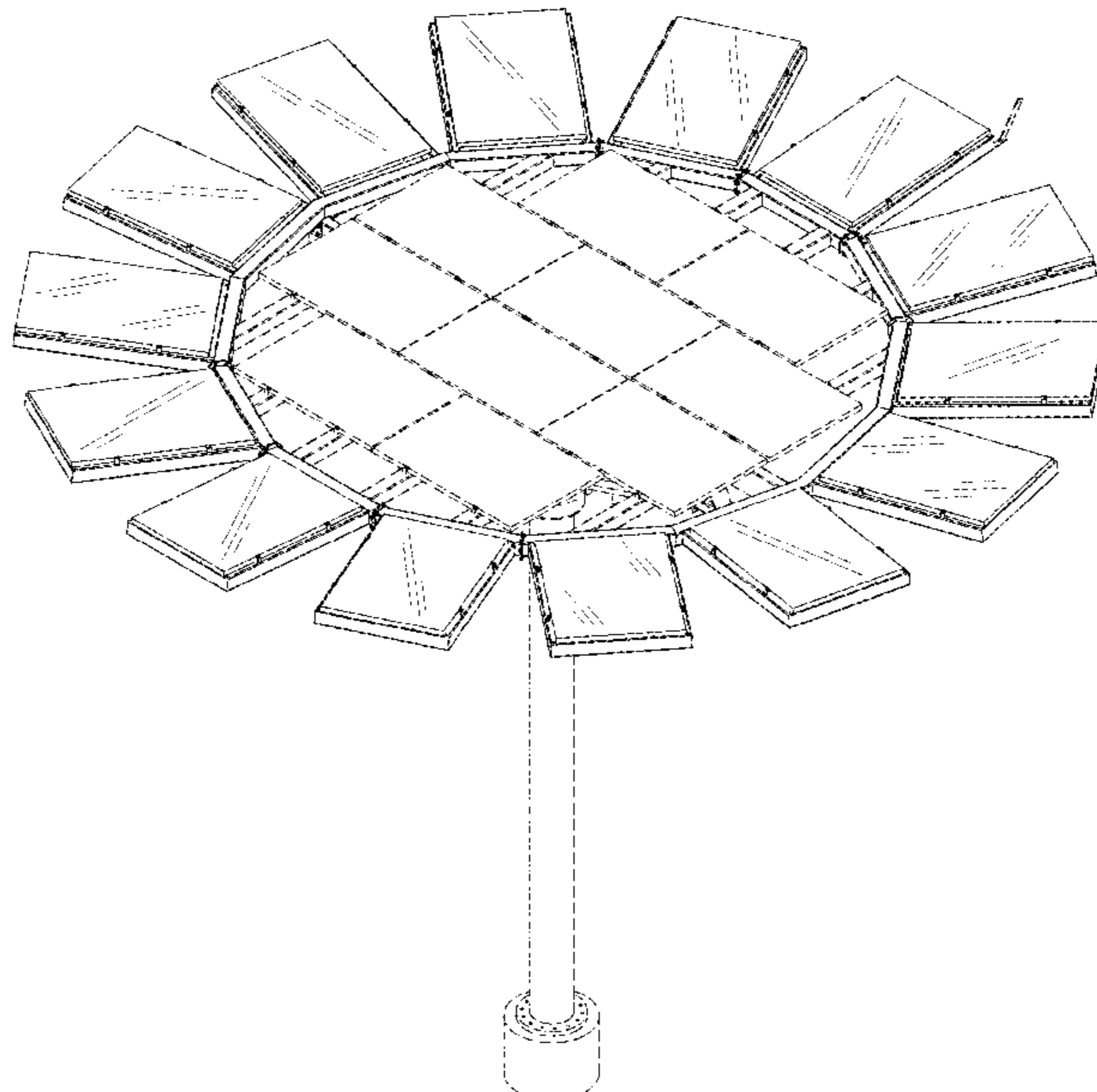
U.S. PATENT DOCUMENTS

127,702 A *	6/1872	Nash	B41F 1/26 101/407.1
4,209,236 A *	6/1980	Horton	F24J 2/1052 126/603
4,378,790 A *	4/1983	Erwin	F24J 2/02 126/681
5,059,296 A *	10/1991	Sherman	C02F 1/4602 204/229.8
D600,200 S	9/2009	Dimov et al.		
D680,949 S *	4/2013	Swatek	D13/102
D686,980 S *	7/2013	Fallon	D13/102
D688,621 S *	8/2013	Mozzardi	D13/102

DESCRIPTION

FIG. 1 is a top perspective view of a solar panel arrangement, showing my new design.
FIG. 2 is a front view thereof.
FIG. 3 is a side elevational view thereof.
FIG. 4 is a rear elevational view thereof.
FIG. 5 is a top plan view thereof.
FIG. 6 is a bottom plan view thereof; and,
FIG. 7 is a bottom perspective view thereof.
The broken lines shown represent unclaimed subject matter and form no part of the claimed design.

1 Claim, 7 Drawing Sheets



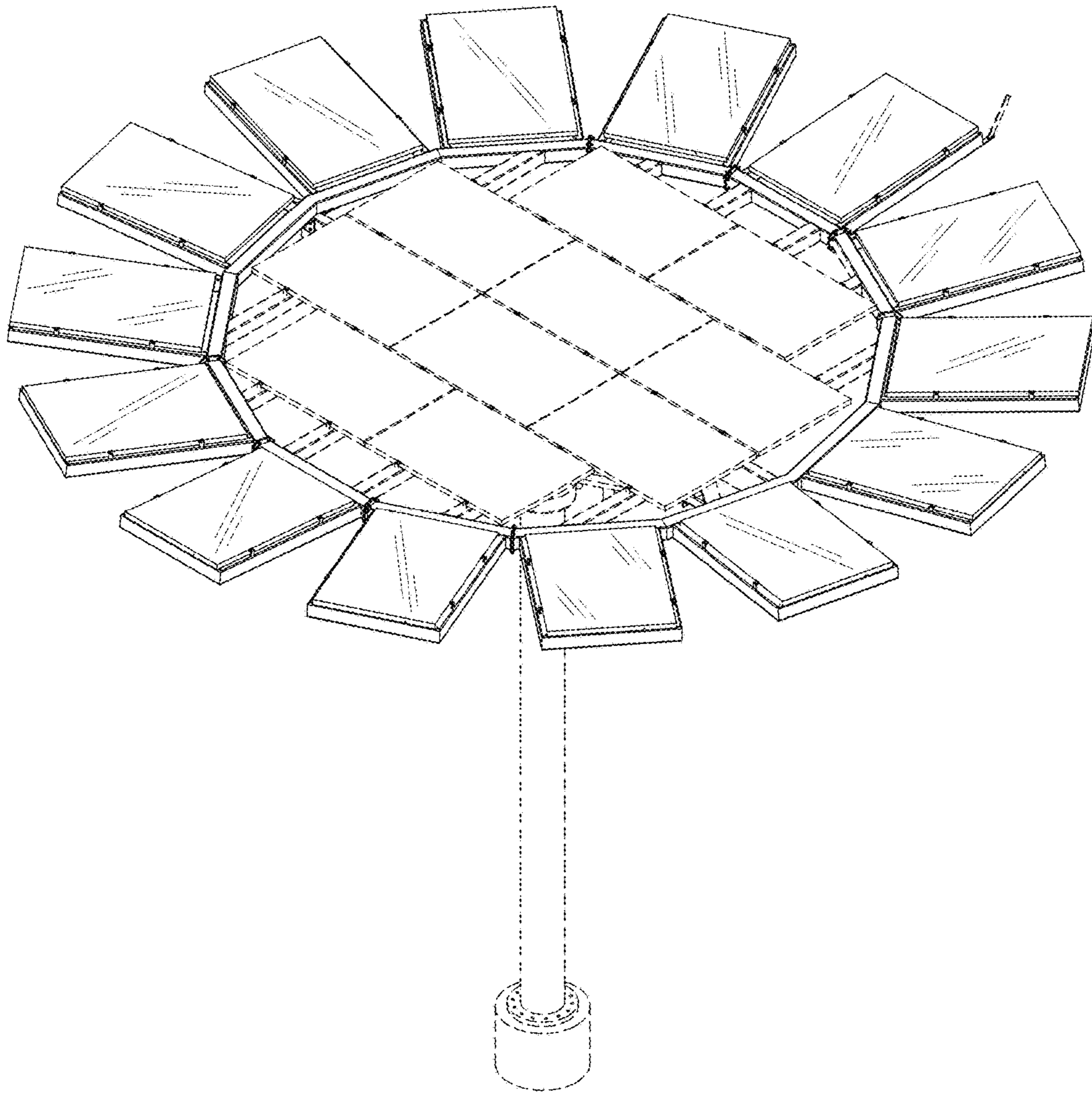


FIG. 1

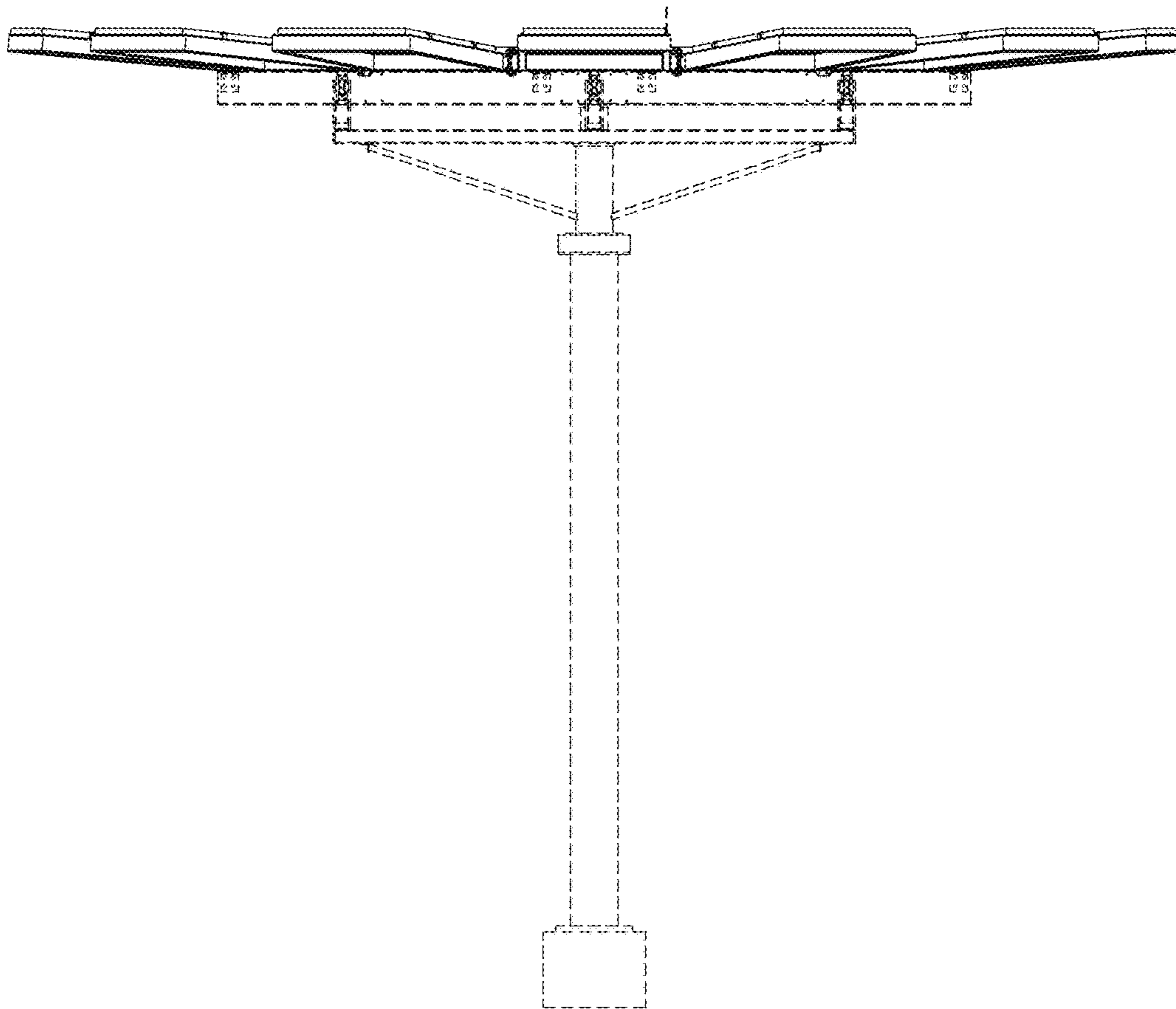


FIG. 2

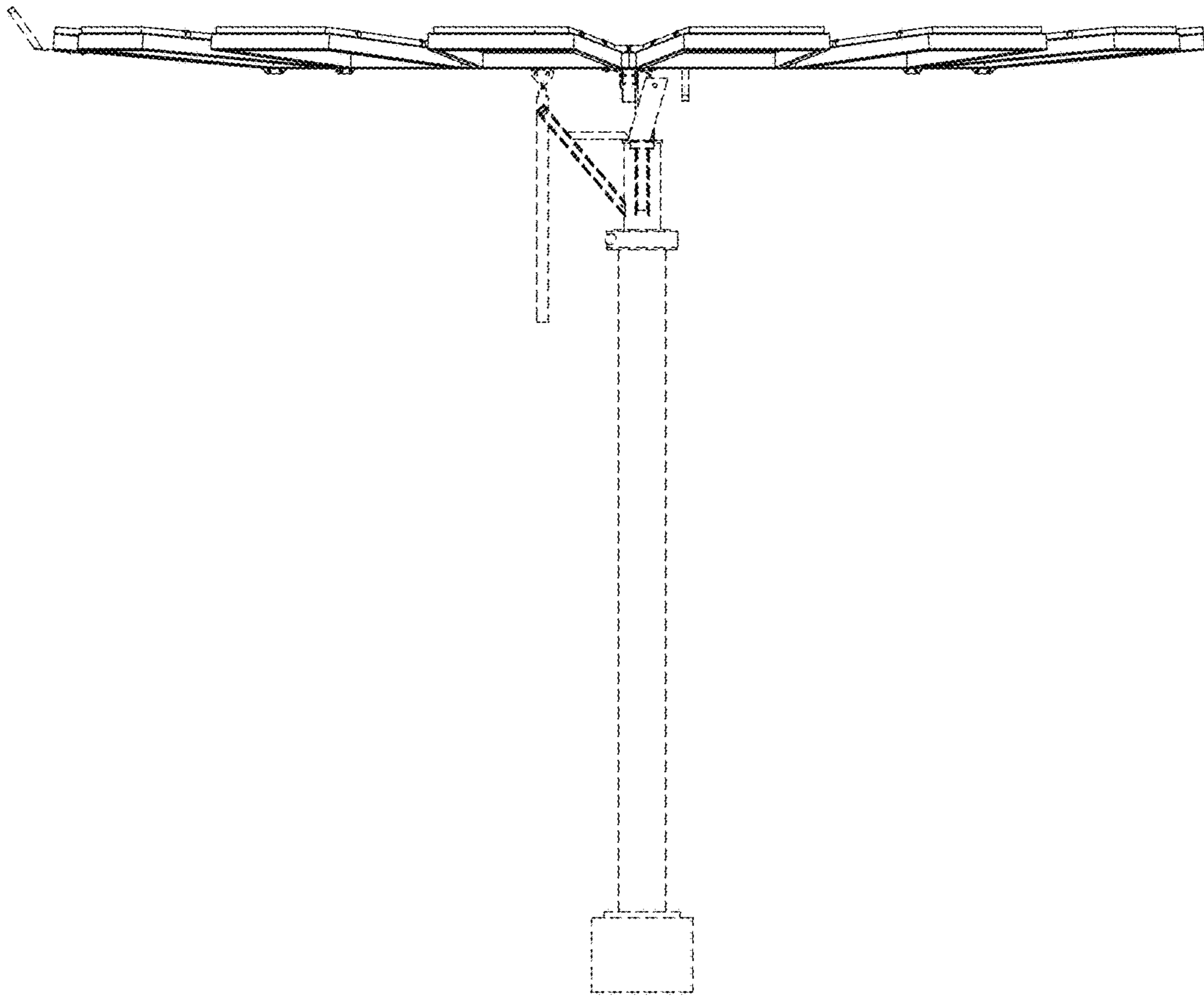


FIG. 3

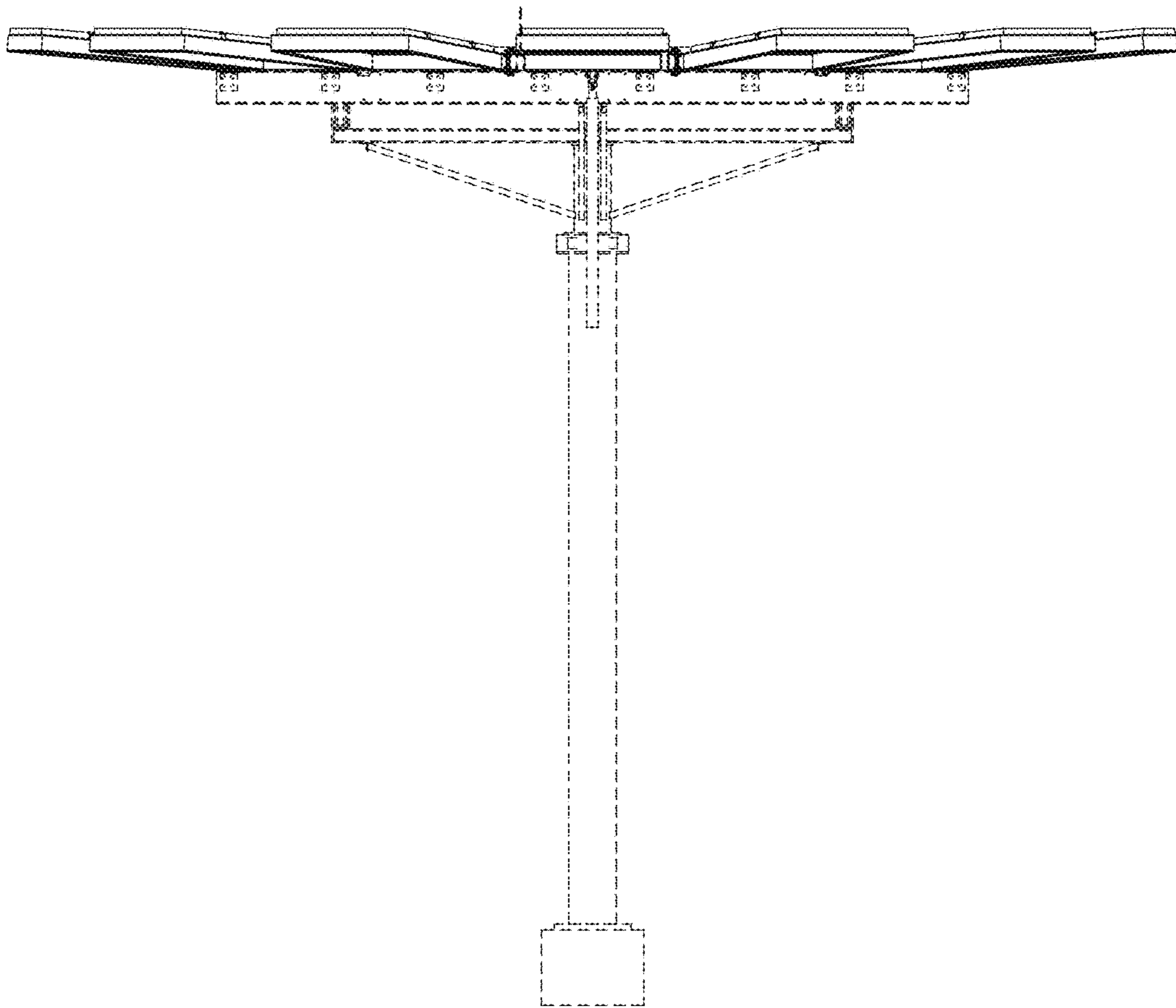


FIG. 4

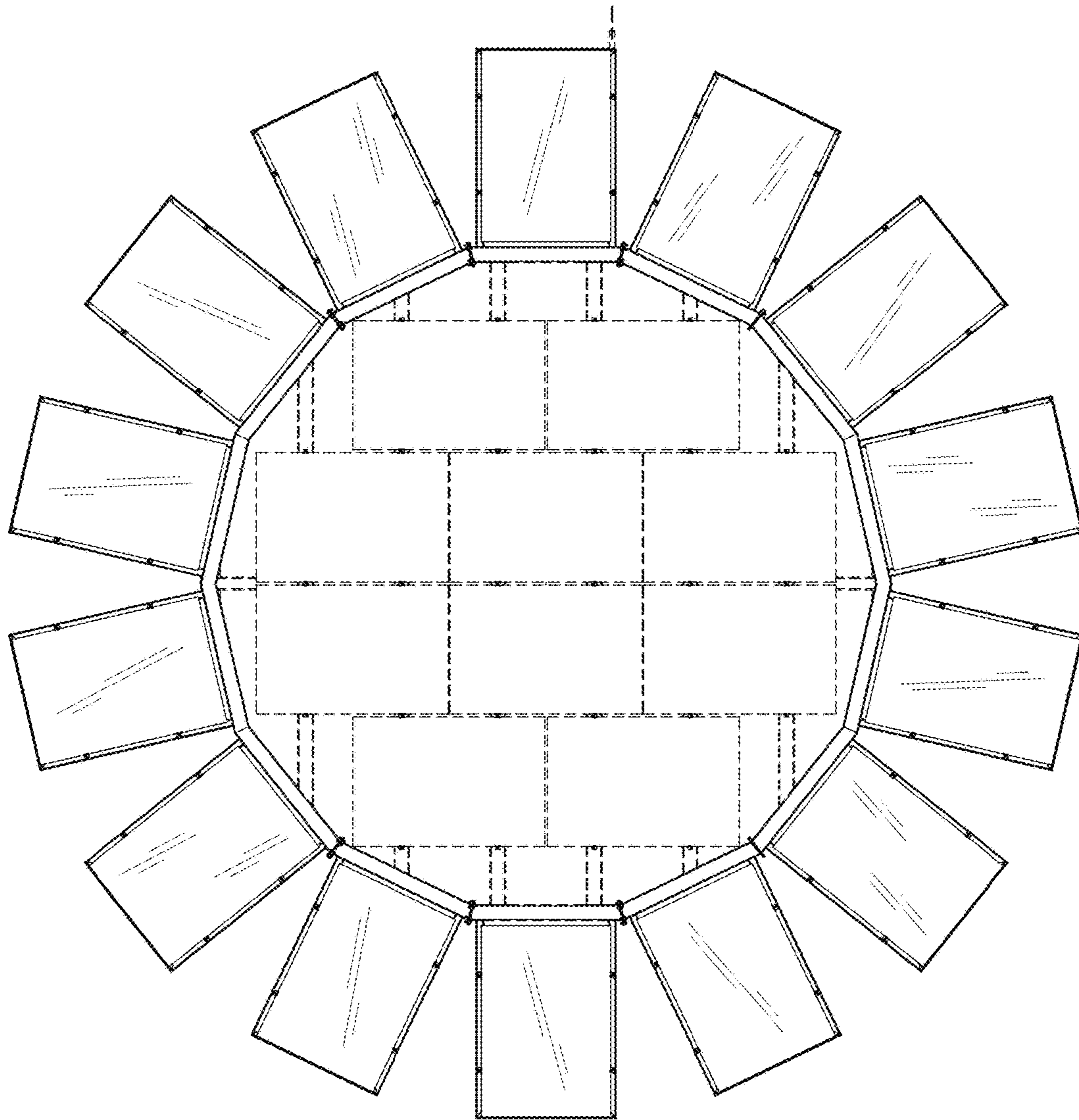


FIG. 5

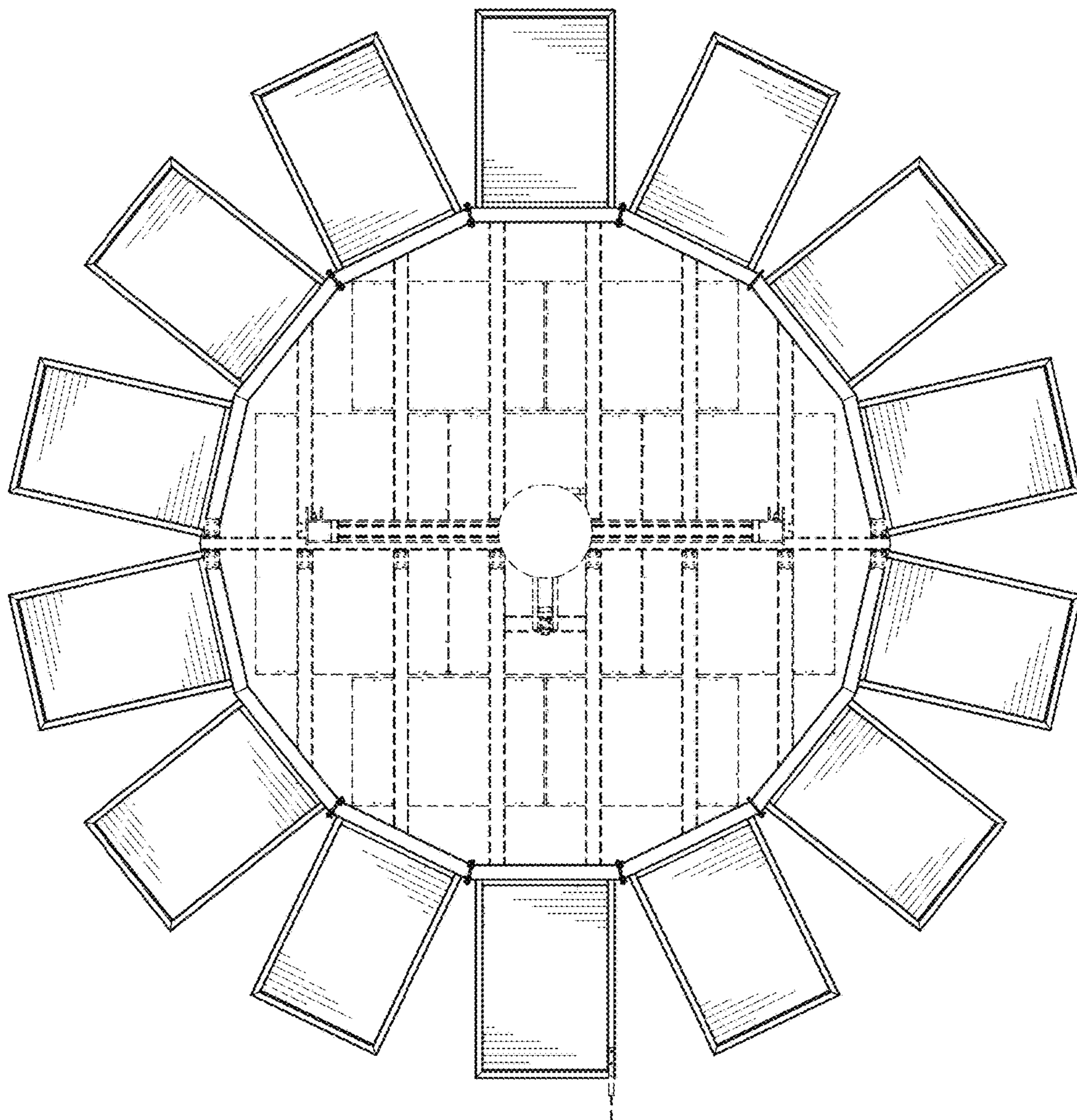


FIG. 6

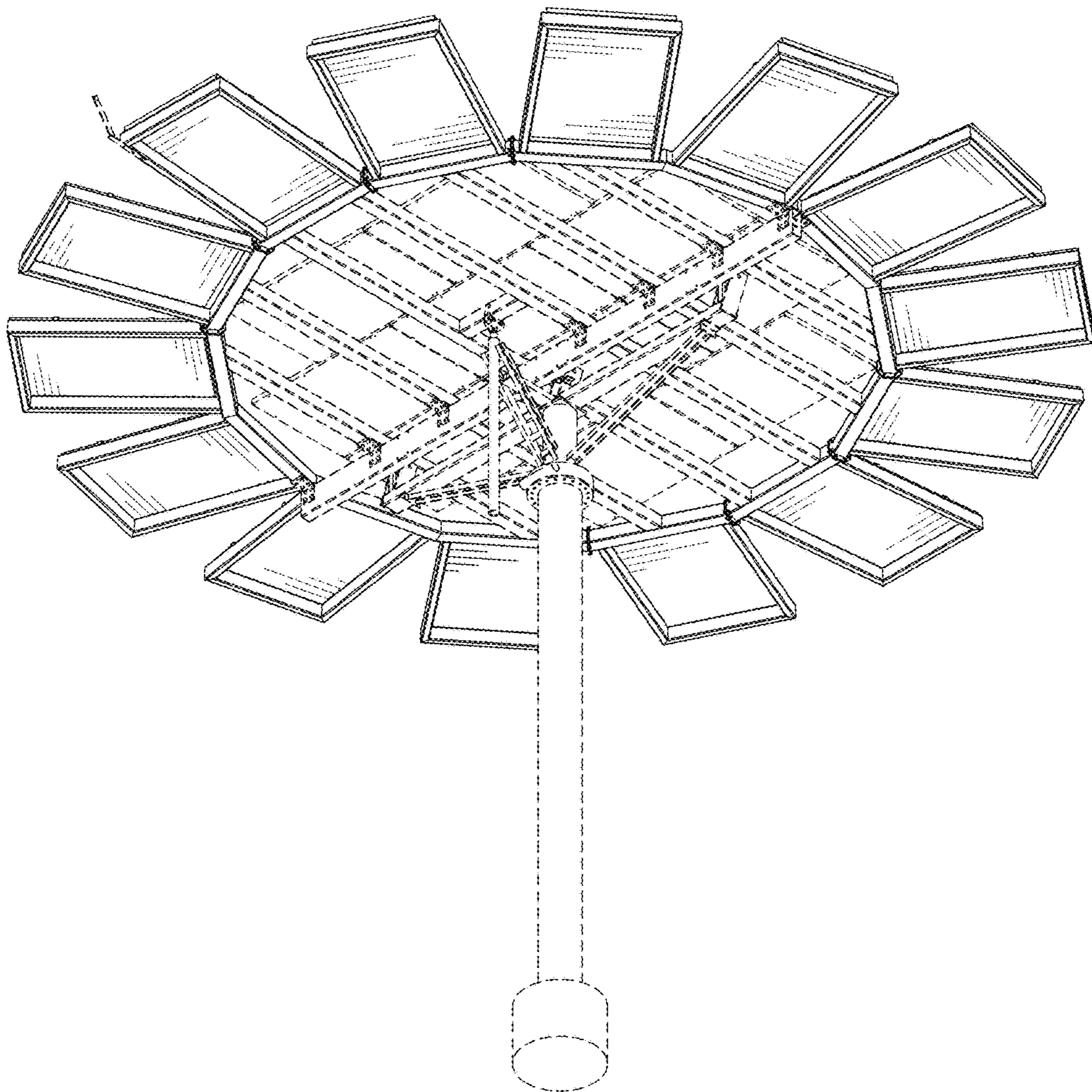


FIG. 7