



US00D783521S

(12) **United States Design Patent**
Negley

(10) **Patent No.:** **US D783,521 S**

(45) **Date of Patent:** **** Apr. 11, 2017**

- (54) **SOLAR PANEL MOUNT**
- (71) Applicant: **JLN SOLAR, INC.**, Mill Valley, CA (US)
- (72) Inventor: **James L. Negley**, Mill Valley, CA (US)
- (73) Assignee: **JLN Solar, Inc.**, Mill Valley, CA (US)
- (**) Term: **14 Years**
- (21) Appl. No.: **29/512,590**
- (22) Filed: **Dec. 19, 2014**
- (51) **LOC (10) Cl.** **13-02**
- (52) **U.S. Cl.**
USPC **D13/102**
- (58) **Field of Classification Search**
USPC D13/102, 101, 103, 118, 119, 184, 199;
126/561, 667; 136/206, 244, 251, 291,
136/292; 438/597
CPC Y02E 10/47; Y02E 10/50; Y02E 10/52;
H02S 20/00; F24J 2/5237
See application file for complete search history.

(56) **References Cited**

U.S. PATENT DOCUMENTS

- 4,383,520 A * 5/1983 Huebl F16M 11/10
126/605
- 6,396,239 B1 * 5/2002 Benn F24J 2/36
307/150
- D595,645 S * 7/2009 Beghelli D13/102
- 7,878,191 B2 * 2/2011 Bender F24J 2/10
126/696
- D640,972 S * 7/2011 Fiero D13/102
- D657,735 S * 4/2012 Mackler D13/102
- D658,120 S * 4/2012 Kawai D13/102

- 8,168,931 B1 * 5/2012 Thel F24J 2/542
126/601
- 8,984,817 B2 * 3/2015 Weiden F16C 17/02
136/244
- D727,842 S * 4/2015 Auberton-Herve D13/102
- D730,277 S * 5/2015 Rangesh D13/102
- D751,976 S * 3/2016 Mackler D13/102
- 9,329,383 B2 * 5/2016 Bender G02B 26/0816
- 2009/0032090 A1 * 2/2009 Kats F24J 2/542
136/251
- 2009/0320826 A1 * 12/2009 Kufner F24J 2/542
126/573
- 2010/0071755 A1 * 3/2010 Kruse F24J 2/525
136/251
- 2011/0162685 A1 * 7/2011 Weiden F16C 17/02
136/244

(Continued)

Primary Examiner — Derrick Holland

Assistant Examiner — Jennifer O King

(74) *Attorney, Agent, or Firm* — K&L Gates LLP; Louis C. Cullman; Brian J. Novak

(57) **CLAIM**

The ornamental design for a solar panel mount, as shown and described.

DESCRIPTION

FIG. 1 is a perspective view of a solar panel mount of my design.

FIG. 2 is a front view of the solar panel mount of FIG. 1.

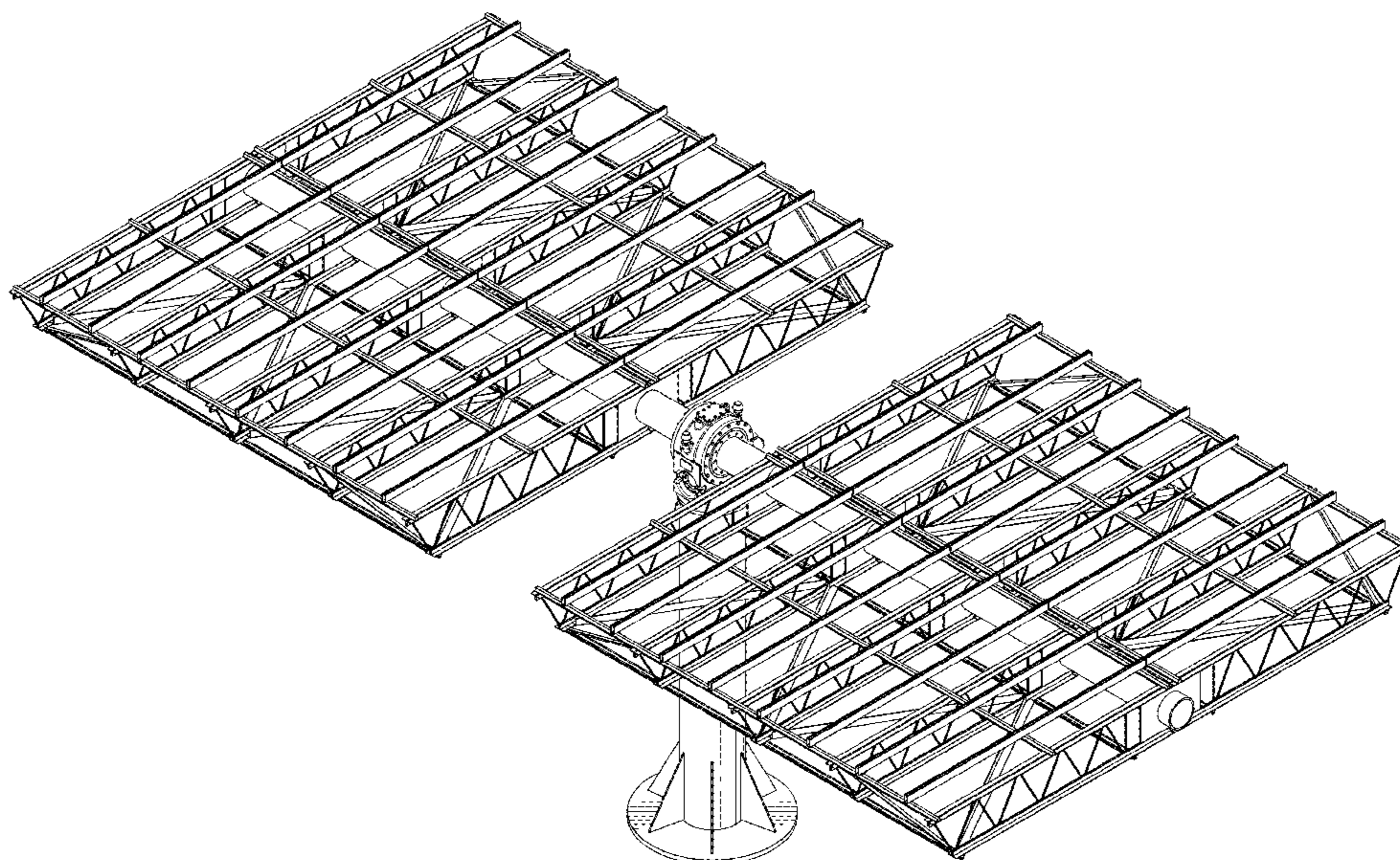
FIG. 3 is a back view of the solar panel mount of FIG. 1.

FIG. 4 is a first side view of the solar panel mount of FIG. 1.

FIG. 5 is a second side view of the solar panel mount of FIG. 1.

FIG. 6 is a top view of the solar panel mount of FIG. 1; and, FIG. 7 is a bottom view of the solar panel mount of FIG. 1.

1 Claim, 6 Drawing Sheets



(56)

References Cited

U.S. PATENT DOCUMENTS

2013/0008431 A1* 1/2013 Fitch F24J 2/4638
126/601
2013/0009486 A1* 1/2013 Morimoto F24J 2/38
307/82
2013/0206712 A1* 8/2013 Magalhaes H01L 31/0424
211/41.1
2015/0159337 A1* 6/2015 Kellner E04H 12/2215
248/156
2015/0194561 A1* 7/2015 Toya H01L 31/0543
250/208.1

* cited by examiner

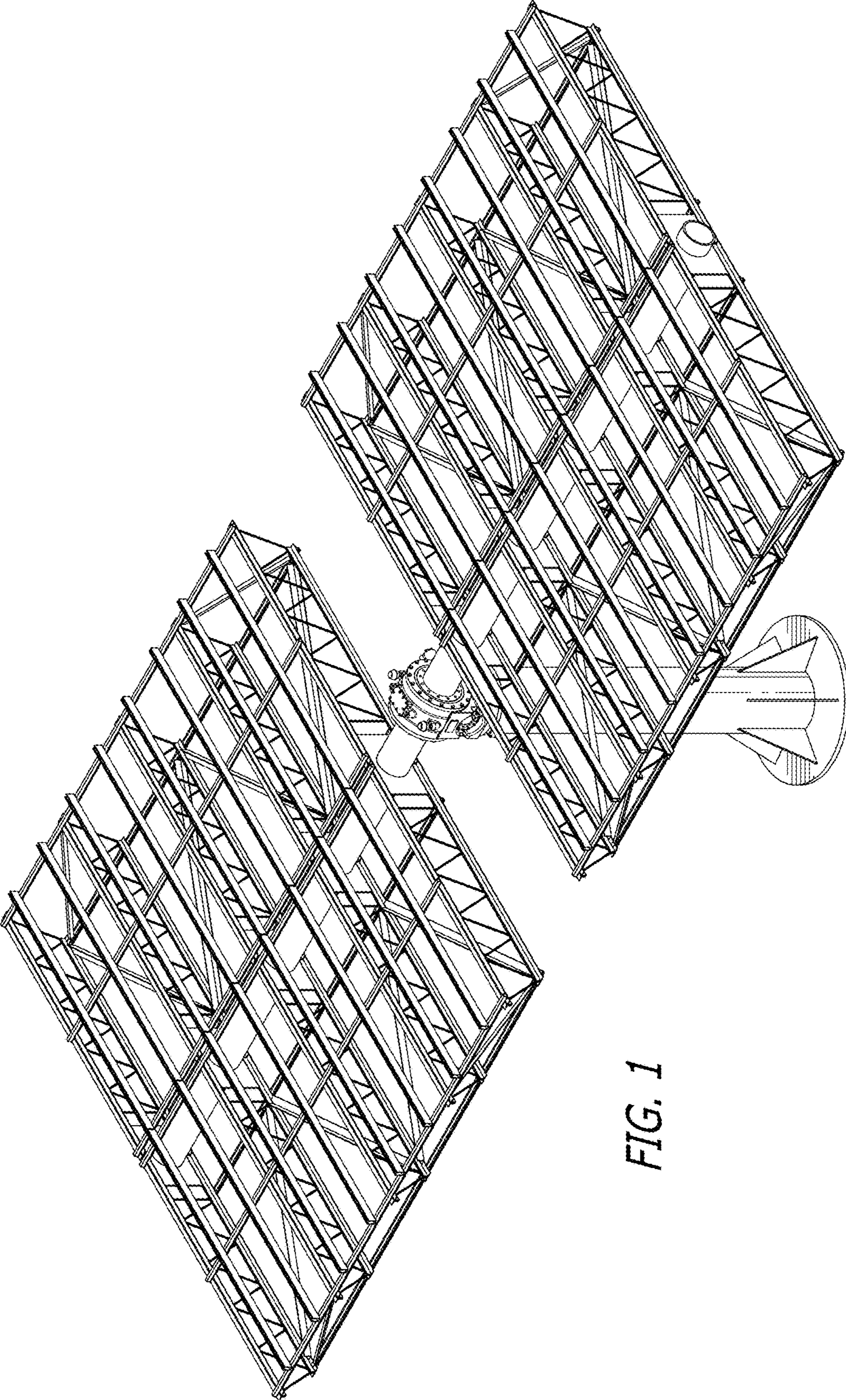
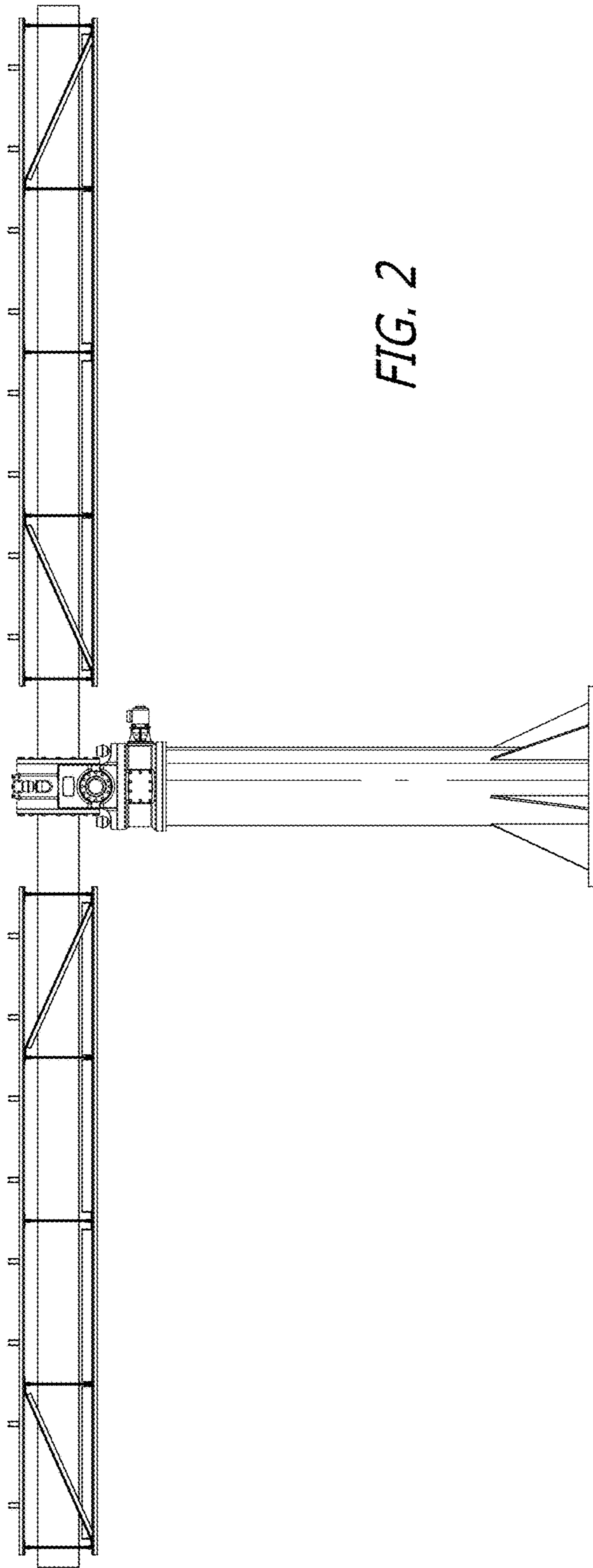


FIG. 1



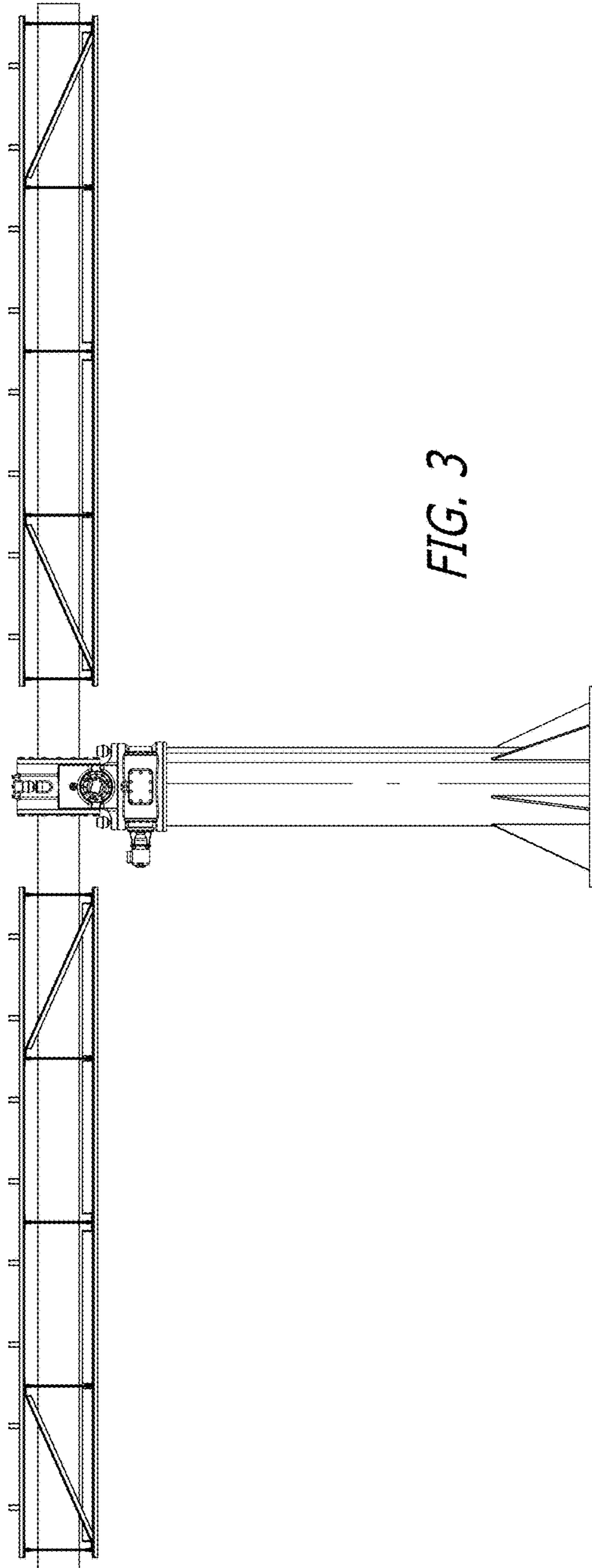
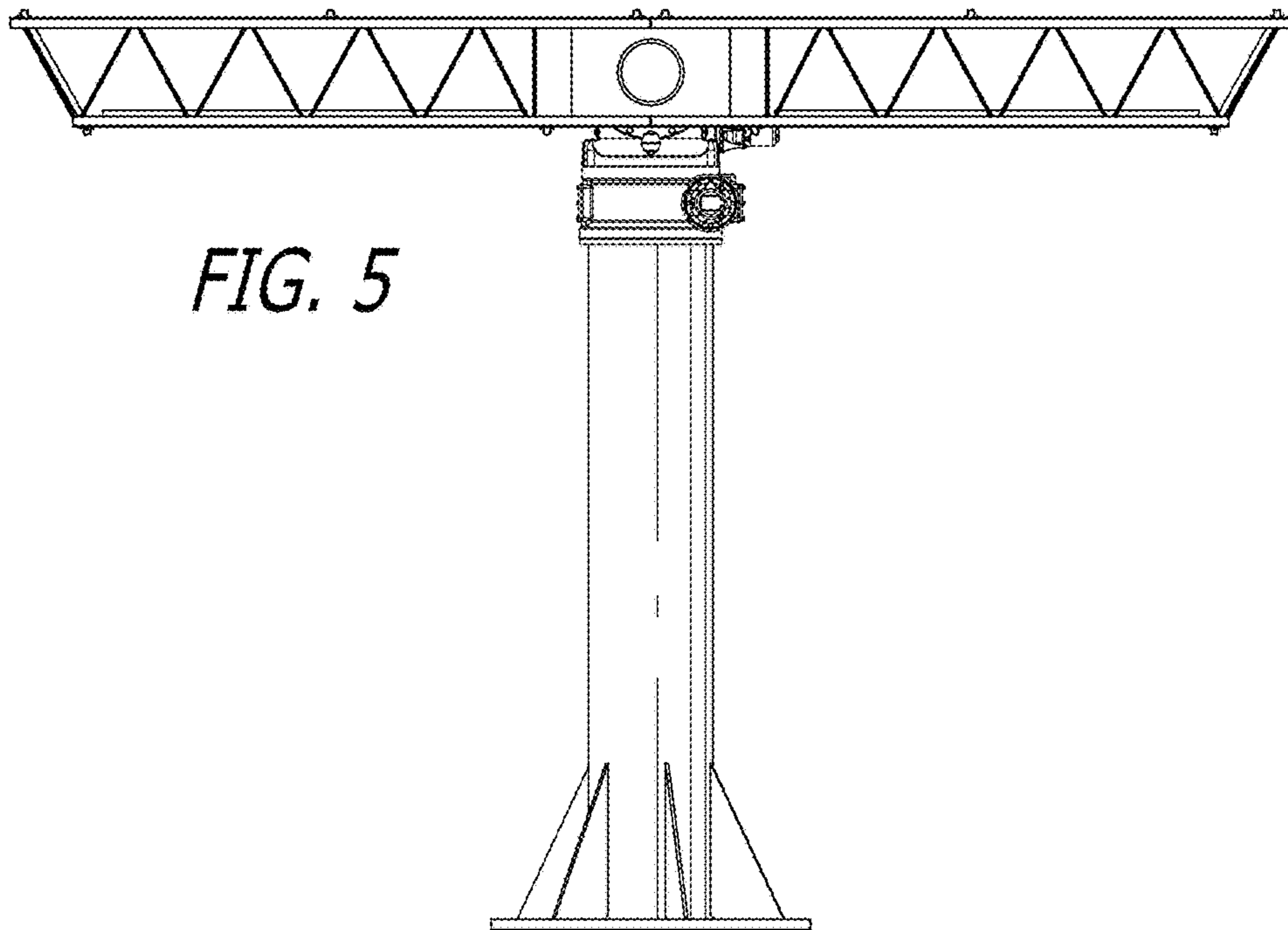
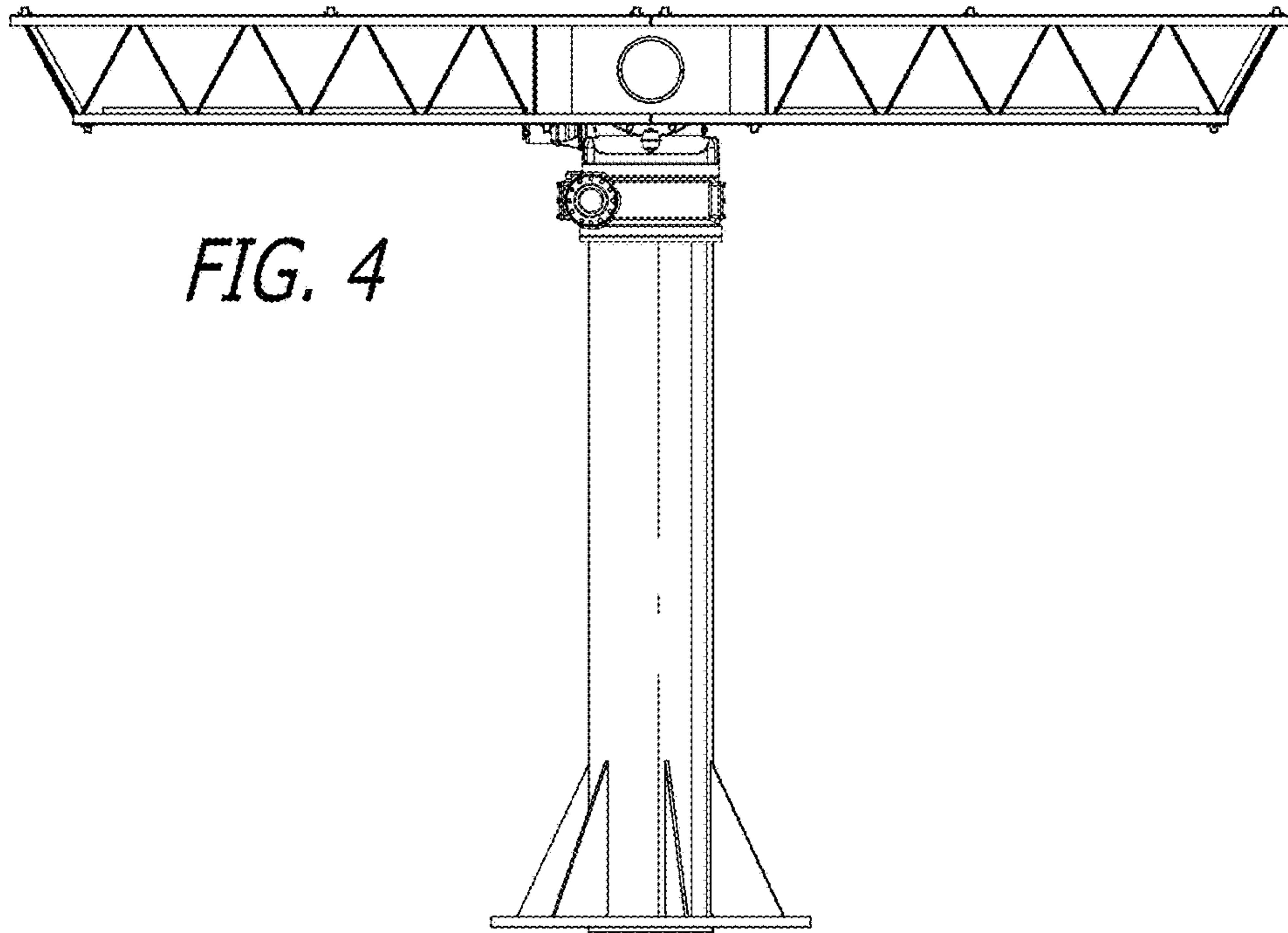


FIG. 3



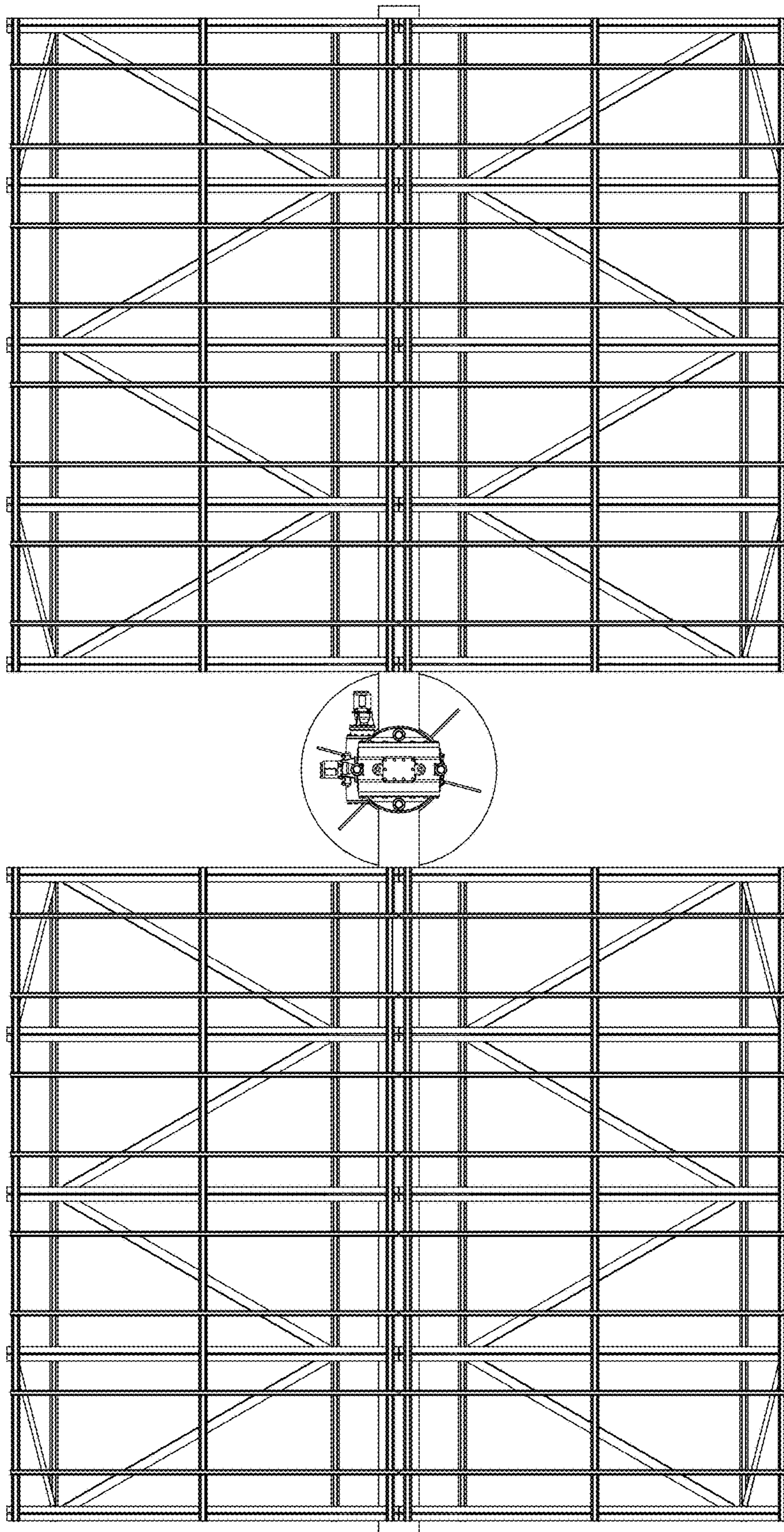


FIG. 6

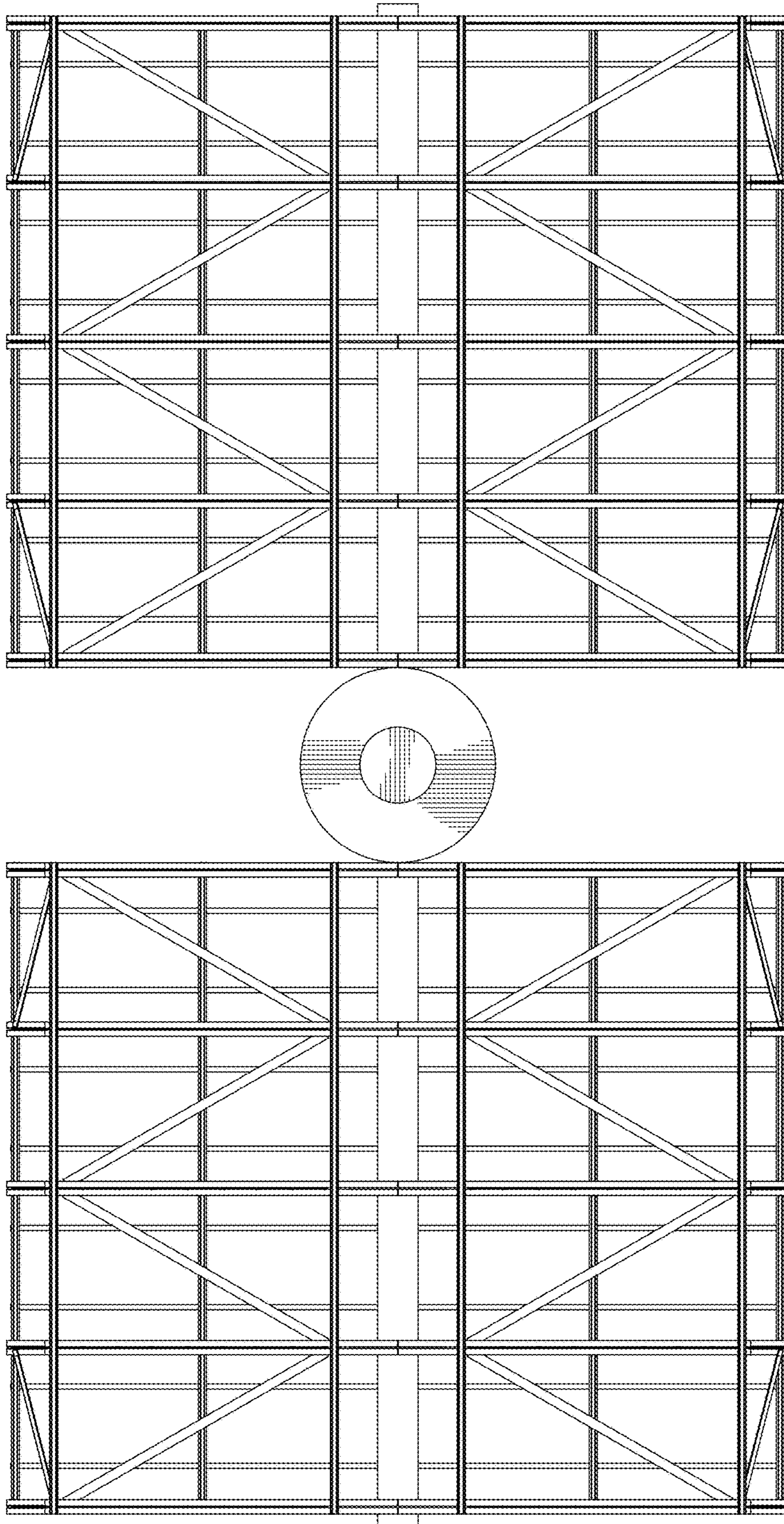


FIG. 7