



US00D783517S

(12) **United States Design Patent**
Kuwano

(10) **Patent No.:** **US D783,517 S**
(45) **Date of Patent:** **** Apr. 11, 2017**

(54) **TIRE**
(71) Applicant: **Toyo Tire & Rubber Co., Ltd.**,
Osaka-shi, Osaka (JP)
(72) Inventor: **Shingo Kuwano**, Osaka (JP)
(73) Assignee: **Toyo Tire & Rubber Co., Ltd.**, Osaka
(JP)

D687,765 S 8/2013 Kuwano et al.
D729,155 S * 5/2015 Jacobs D12/600
D732,467 S * 6/2015 Schimmoeller D12/600
D741,253 S * 10/2015 Lundgren D12/600
D753,583 S * 4/2016 Hao D12/512
D754,592 S * 4/2016 Tian D12/600
D761,722 S * 7/2016 Takahashi D12/579

(Continued)

(**) Term: **15 Years**
(21) Appl. No.: **29/538,890**
(22) Filed: **Sep. 9, 2015**

(30) **Foreign Application Priority Data**
Apr. 10, 2015 (JP) 2015-008208
(51) **LOC (10) Cl.** **12-15**
(52) **U.S. Cl.**
USPC **D12/600**
(58) **Field of Classification Search**
USPC D12/501, 559, 564, 585, 586, 588, 590,
D12/591, 594, 595, 598, 600, 601, 602,
D12/603
CPC .. B60C 11/03; B60C 11/0306; B60C 11/0388
See application file for complete search history.

(56) **References Cited**
U.S. PATENT DOCUMENTS

D278,696 S * 5/1985 Grohmann D12/600
D295,162 S * 4/1988 Nilsson D12/600
D312,994 S * 12/1990 Hayakawa D12/594
D461,765 S * 8/2002 Nonaka D12/594
D606,487 S * 12/2009 Lo D12/600
D628,958 S * 12/2010 Fleckner D12/600
D666,967 S * 9/2012 Sareen D12/594
D669,843 S * 10/2012 Grote D12/600

OTHER PUBLICATIONS

U.S. Appl. No. 29/538,916, filed Sep. 9, 2015.
U.S. Appl. No. 29/538,919, filed Sep. 9, 2015.

Primary Examiner — Robert M Spear
(74) *Attorney, Agent, or Firm* — Sterne, Kessler,
Goldstein & Fox P.L.L.C.

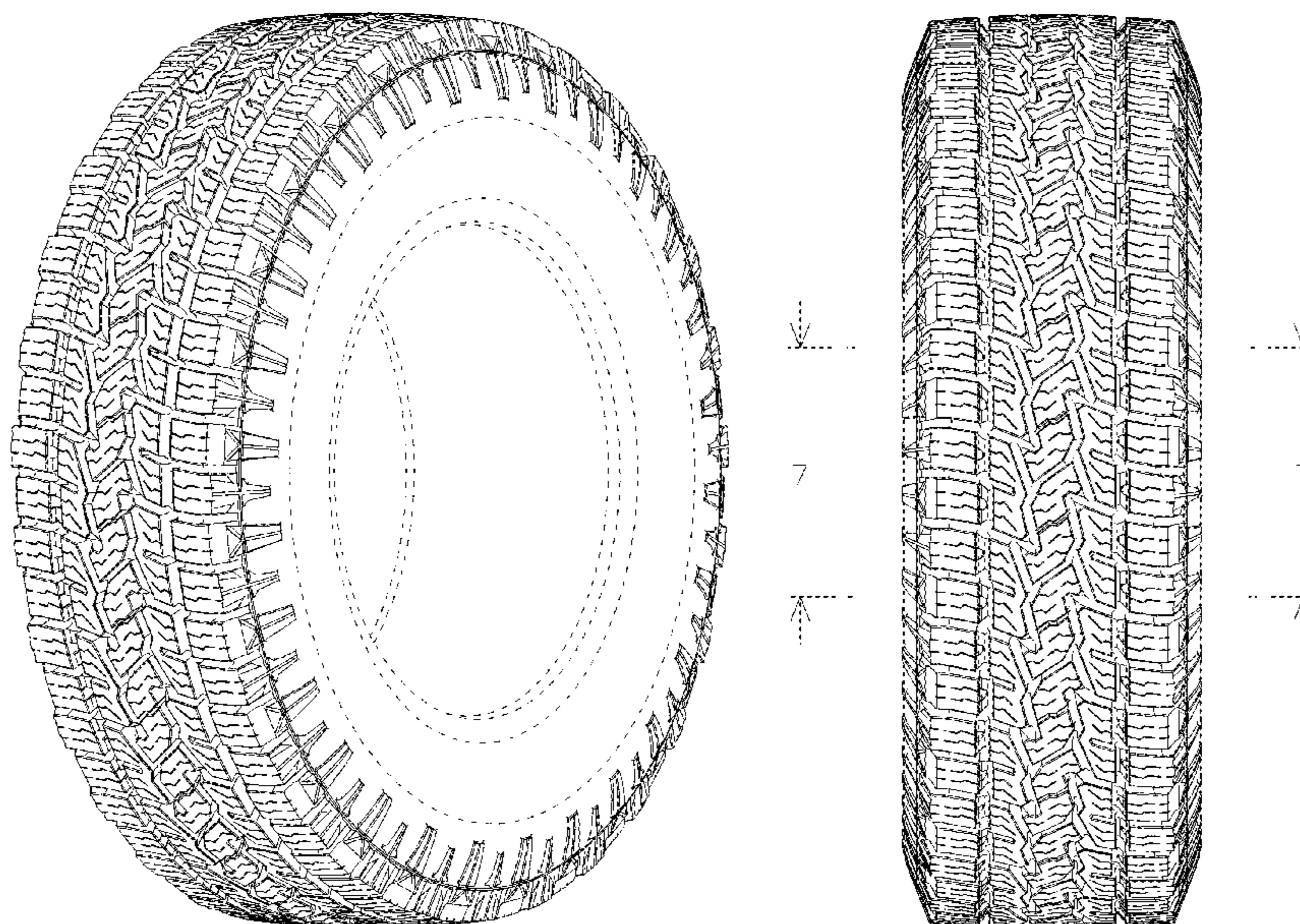
(57) **CLAIM**

The ornamental design for a tire, as shown and described.

DESCRIPTION

FIG. 1 is a perspective view of a tire showing my new design;
FIG. 2 is a front view thereof;
FIG. 3 is a rear view thereof;
FIG. 4 is a top plan view thereof, the bottom view being the same;
FIG. 5 is a right side view thereof;
FIG. 6 is a left side view thereof;
FIG. 7 is an enlarged view of the portion 7-7 in FIG. 2; and,
FIG. 8 is a cross-sectional view taken along line 8'-8' in FIG. 7 within the portion 8-8 in FIG. 5.
In the drawings, the broken lines showing portions of the sidewall and inner bead depict portions of the tire that form no part of the claimed design. The outermost broken line of the sidewall forms the boundary of the claim.

1 Claim, 8 Drawing Sheets



(56)

References Cited

U.S. PATENT DOCUMENTS

D762,161 S * 7/2016 Wang D12/594

* cited by examiner

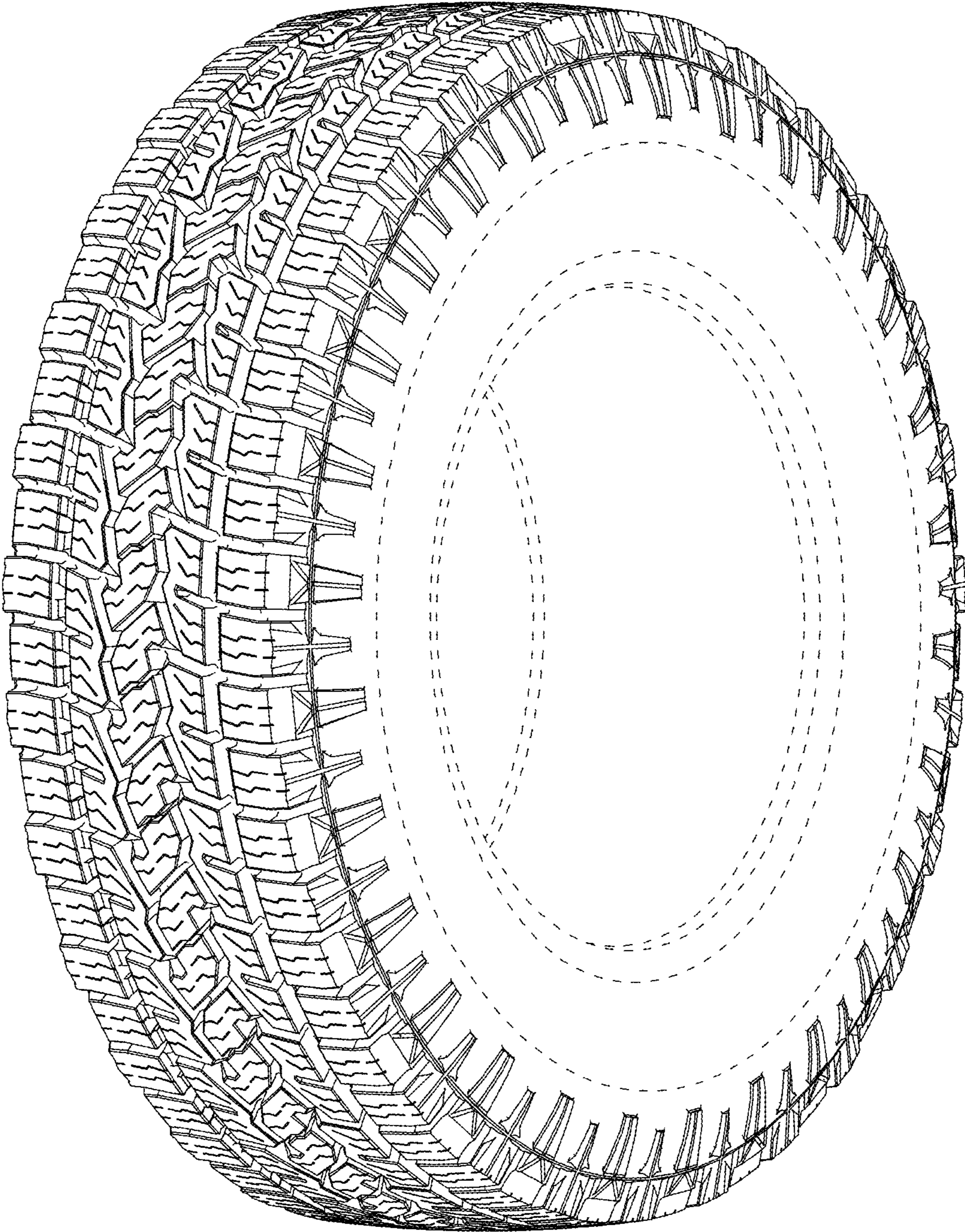


FIG. 1

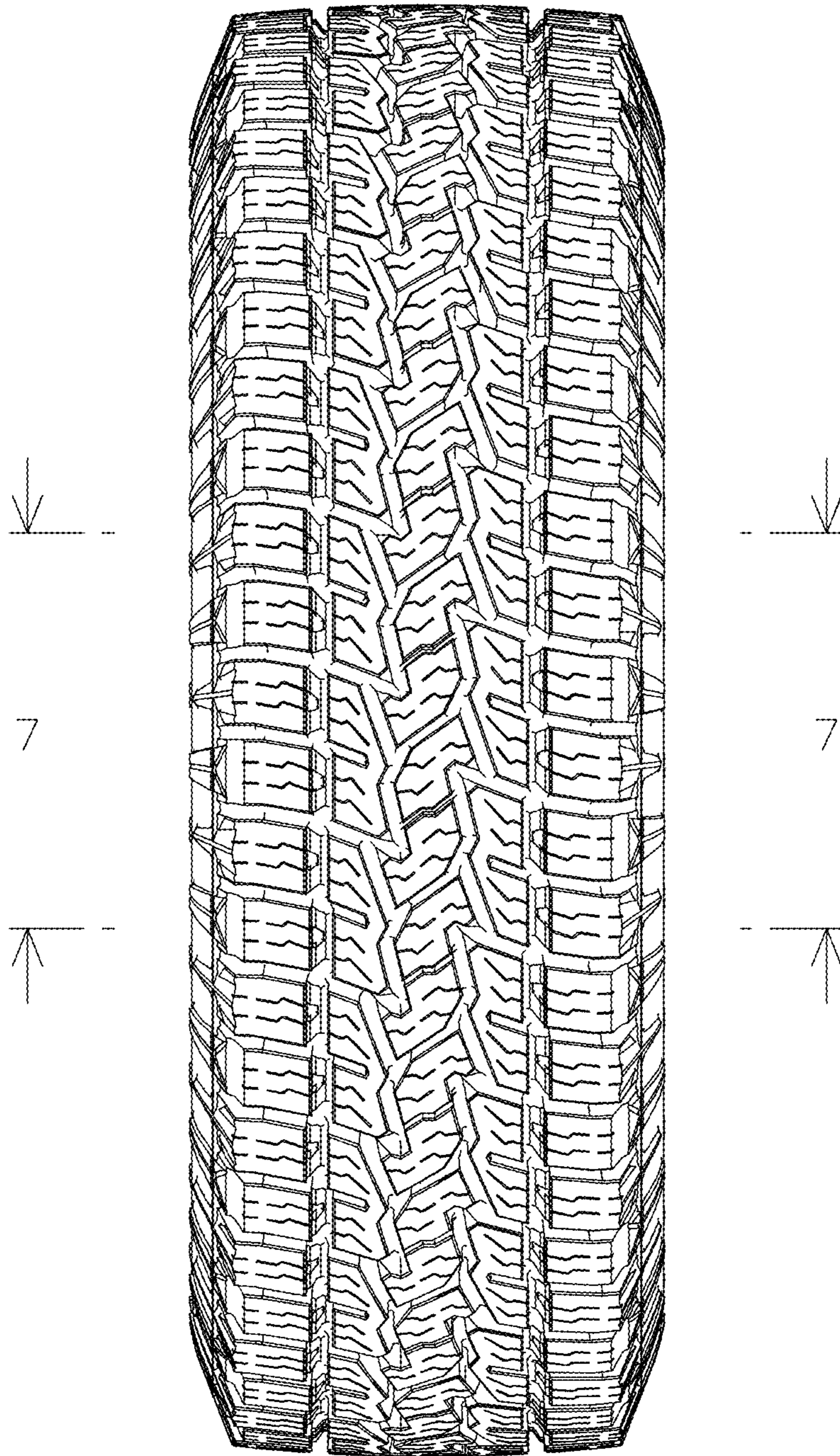


FIG. 2

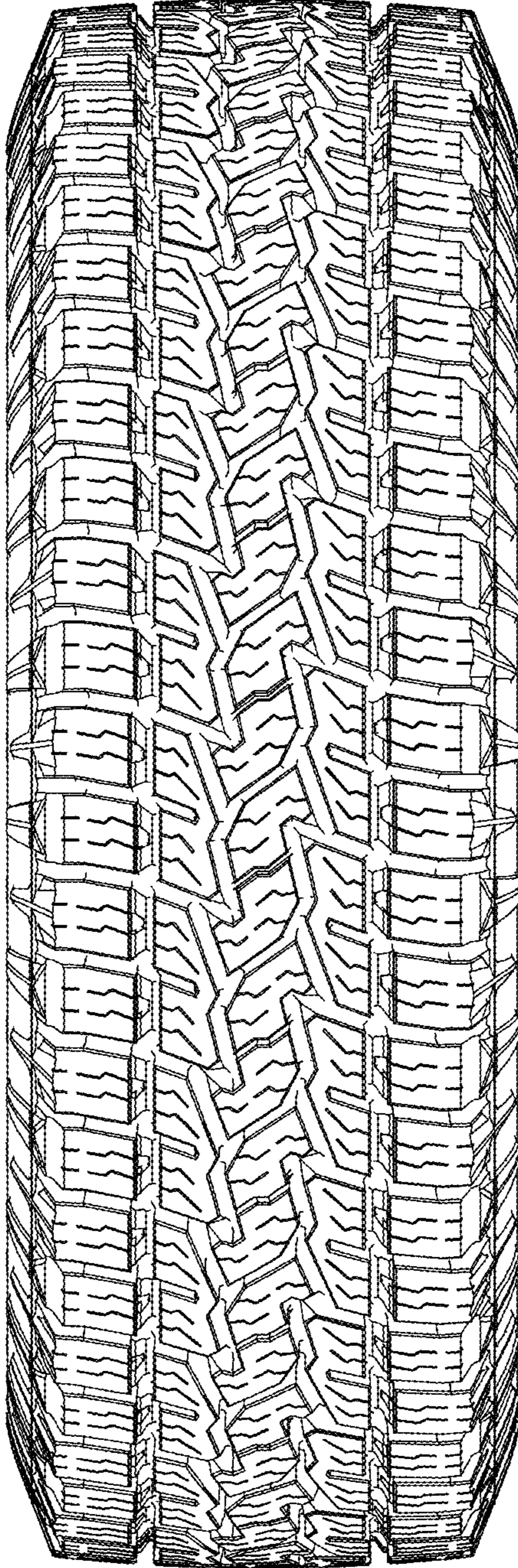


FIG. 3

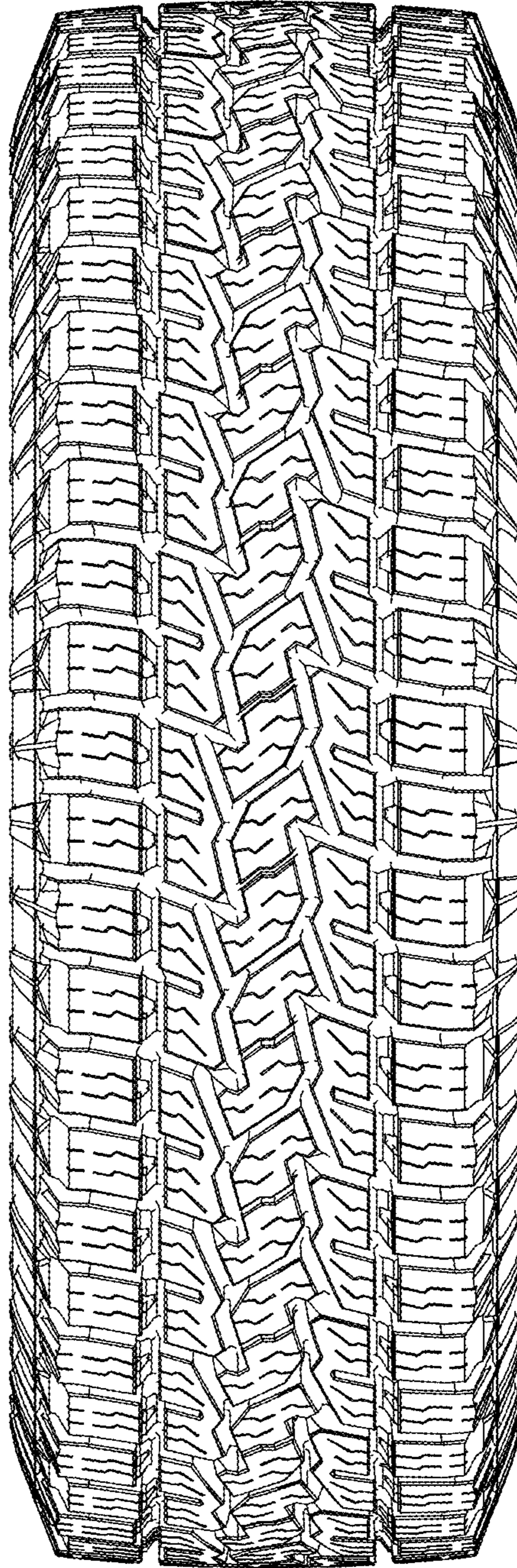


FIG. 4

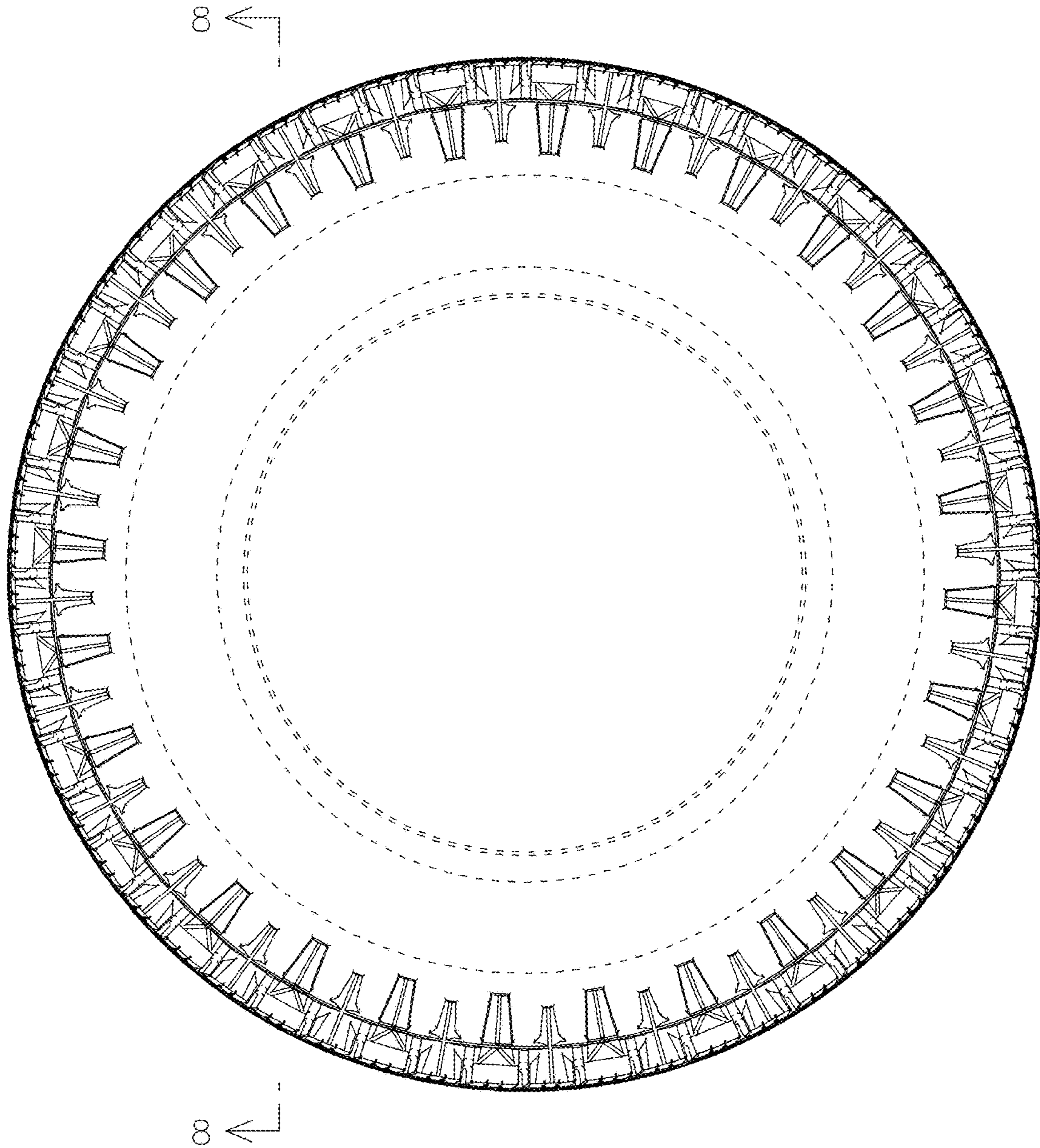


FIG. 5

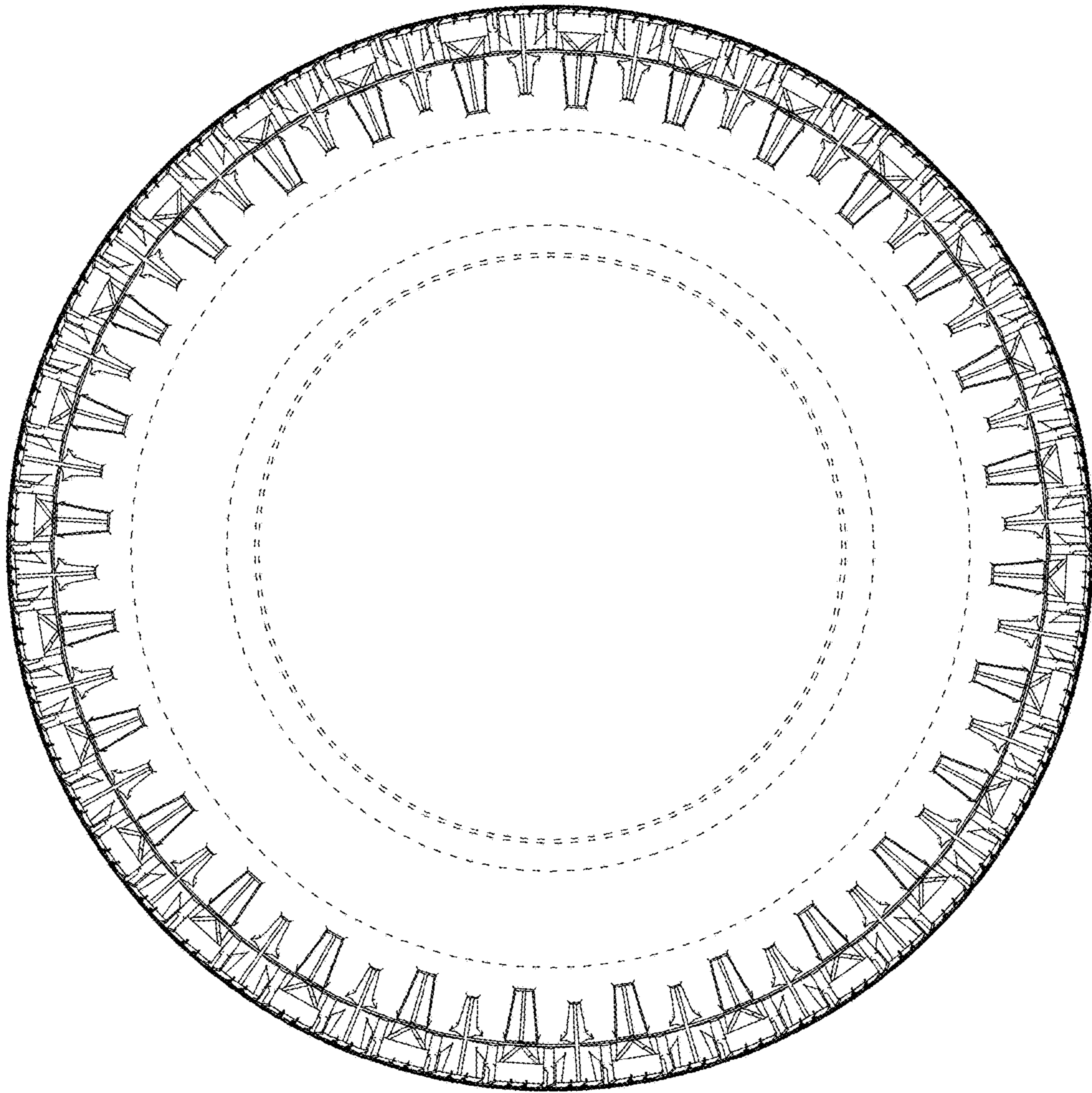


FIG. 6

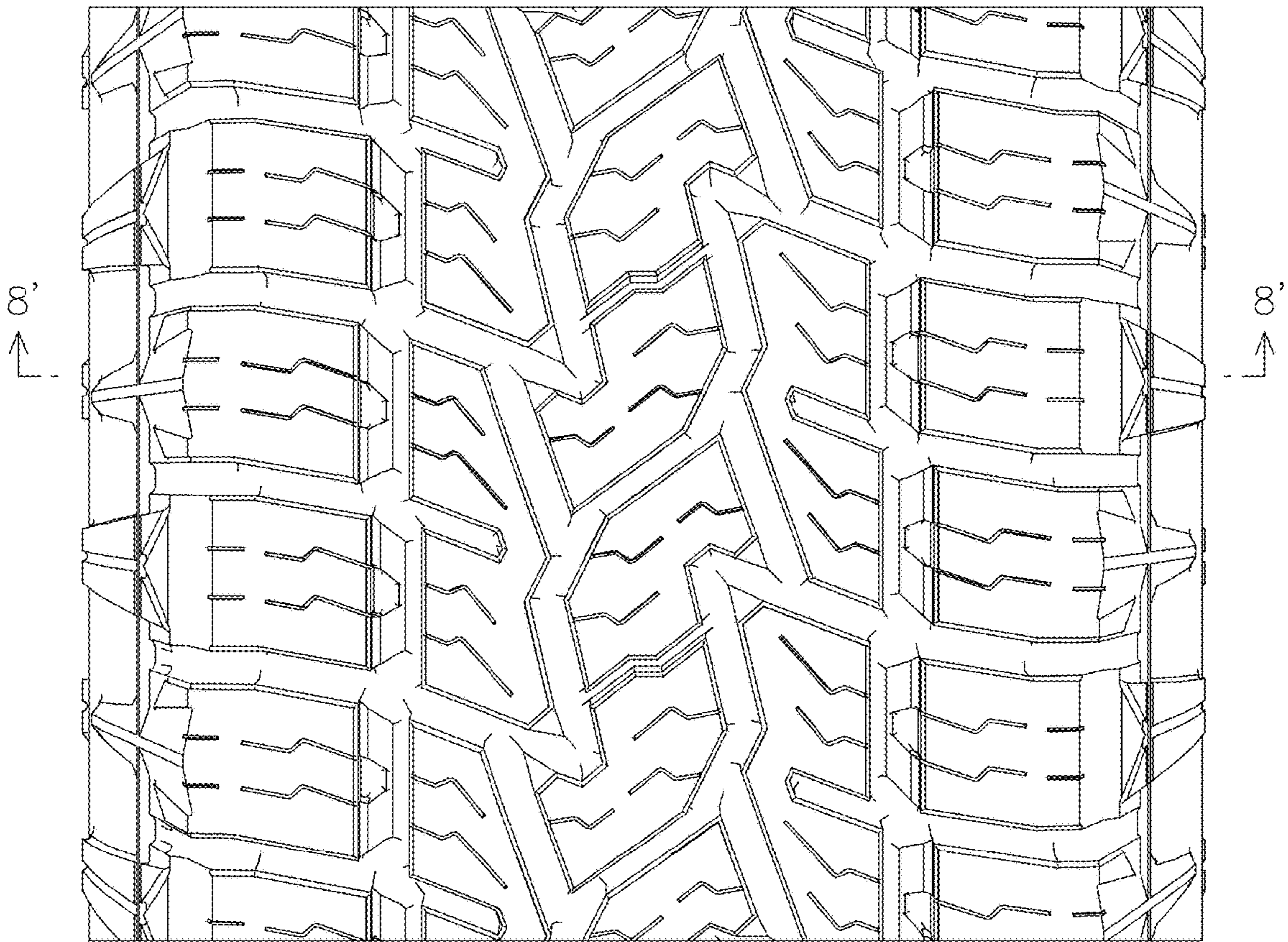


FIG. 7

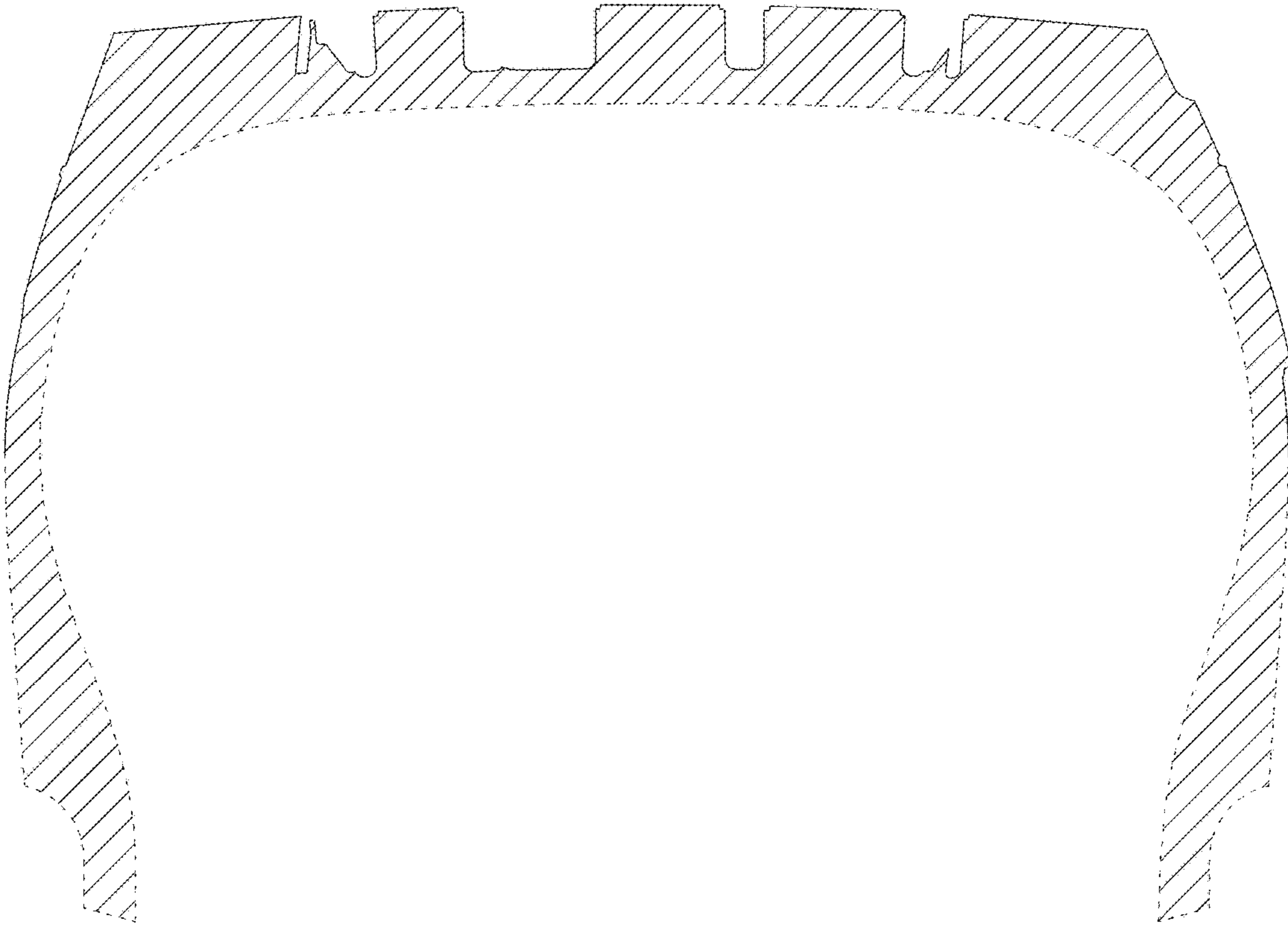


FIG. 8