



US00D783514S

(12) **United States Design Patent**
Fontaine et al.

(10) **Patent No.:** **US D783,514 S**

(45) **Date of Patent:** **** Apr. 11, 2017**

(54) **TIRE**
(71) Applicant: **The Goodyear Tire & Rubber Company, Akron, OH (US)**

(72) Inventors: **Sebastien Willy Fontaine, Vichten (LU); Armand Rene Gabriel Leconte, Bigonville (LU); Franck Tuccella, Lexy (FR); Veronique Marie-Jose Herbeuval, Arlon (BE)**

(73) Assignee: **The Goodyear Tire & Rubber Company, Akron, OH (US)**

(**) Term: **15 Years**

(21) Appl. No.: **29/566,156**

(22) Filed: **May 27, 2016**

(51) **LOC (10) Cl.** **12-15**

(52) **U.S. Cl.**
USPC **D12/584; D12/603**

(58) **Field of Classification Search**
USPC D12/517, 518, 521, 523, 582, 583, 584, 585, 586, 587, 590, 900
CPC . B60C 11/03; B60C 11/0306; B60C 11/0344; B60C 11/0346; B60C 11/04
See application file for complete search history.

(56) **References Cited**

U.S. PATENT DOCUMENTS

D380,425 S	7/1997	Brown et al.	D12/146
D380,716 S	7/1997	Brown et al.	D12/147
D383,425 S *	9/1997	Himuro	D12/585
D383,716 S	9/1997	Brown et al.	D12/147
D394,031 S	5/1998	Galante et al.	D12/147
D398,887 S	9/1998	Brown et al.	D12/146
D399,797 S	10/1998	Bergstrom et al.	D12/146
D405,736 S	2/1999	Brightwell et al.	D12/147
D418,460 S *	1/2000	Williams	D12/585

D421,732 S	3/2000	Fierro et al.	D12/146
D426,179 S	6/2000	Fierro et al.	D12/146
D430,830 S *	9/2000	Guspodin	D12/585
D430,831 S *	9/2000	Edwards	D12/585
D444,430 S	7/2001	Welbes et al.	D12/147

(Continued)

Primary Examiner — Robert M Spear

(74) *Attorney, Agent, or Firm* — Robert N. Lipsik

(57) **CLAIM**

The ornamental design for a tire, as shown and described.

DESCRIPTION

FIG. 1 is a perspective view of a tire showing our new design, it being understood that the pattern repeats uniformly throughout the circumference of the tread;

FIG. 2 is a front elevational view thereof;

FIG. 3 is a right side elevational view thereof; the left side elevational view being identical thereto;

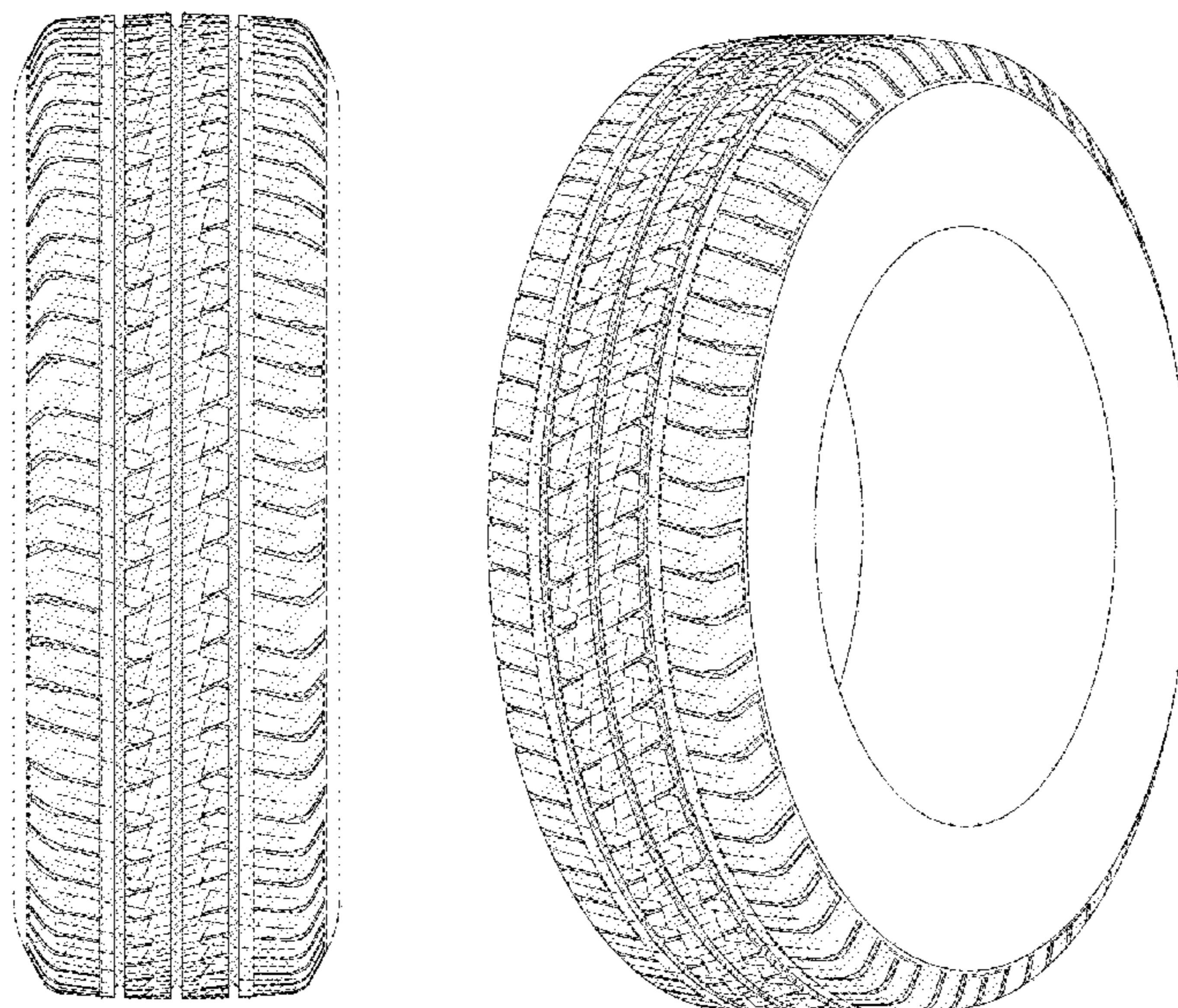
FIG. 4 is an enlarged fragmentary front elevational view thereof;

FIG. 5 is a perspective view of a second embodiment of a tire showing our new design, it being understood that the pattern repeats uniformly throughout the circumference of the tread and that the opposite side view is identical thereto; and,

FIG. 6 is a front elevational view of a second embodiment, it being understood that an enlarged fragmentary view thereof would be substantially identical to that shown in FIG. 4, with the exception of the inclusion of the sidewall in solid lines.

In the drawings, the broken lines showing of the sidewall, inner bead and the peripheral boundary between the tire tread and the sidewall in FIGS. 1 through 4 depict environmental subject matter and form no part of the claimed design.

1 Claim, 6 Drawing Sheets



(56)

References Cited

U.S. PATENT DOCUMENTS

D458,588 S	6/2002	Welbes	D12/603
D473,513 S	4/2003	Welbes	D12/588
D491,133 S *	6/2004	Tahira	D12/585
D497,144 S *	10/2004	Lassan	D12/584
D534,117 S	12/2006	Welbes et al.	D12/584
D534,860 S *	1/2007	Moriya	D12/585
D537,033 S	2/2007	Dumigan et al.	D12/602
D591,223 S	4/2009	Missik-Gaffney et al. ..	D12/584
D601,951 S *	10/2009	Haga	D12/590
D603,786 S *	11/2009	Marella	D12/584
D613,236 S *	4/2010	Guspodin	D12/582
D614,122 S	4/2010	Seibert	D12/600
D635,916 S	4/2011	Krier	D12/588
D667,363 S	9/2012	Kudo	D12/584
D700,884 S *	3/2014	Herbeuval	D12/584
D730,812 S *	6/2015	Kato	D12/582
D730,814 S *	6/2015	Kato	D12/584
D731,405 S *	6/2015	Fujita	D12/584
D738,816 S *	9/2015	Kato	D12/584
D738,817 S *	9/2015	Kato	D12/584
D761,726 S *	7/2016	Umstot	D12/601
D764,390 S *	8/2016	Umstot	D12/584
D764,391 S *	8/2016	Shen	D12/584
D768,562 S *	10/2016	Kato	D12/584
D769,800 S *	10/2016	Raatikainen	D12/590

* cited by examiner

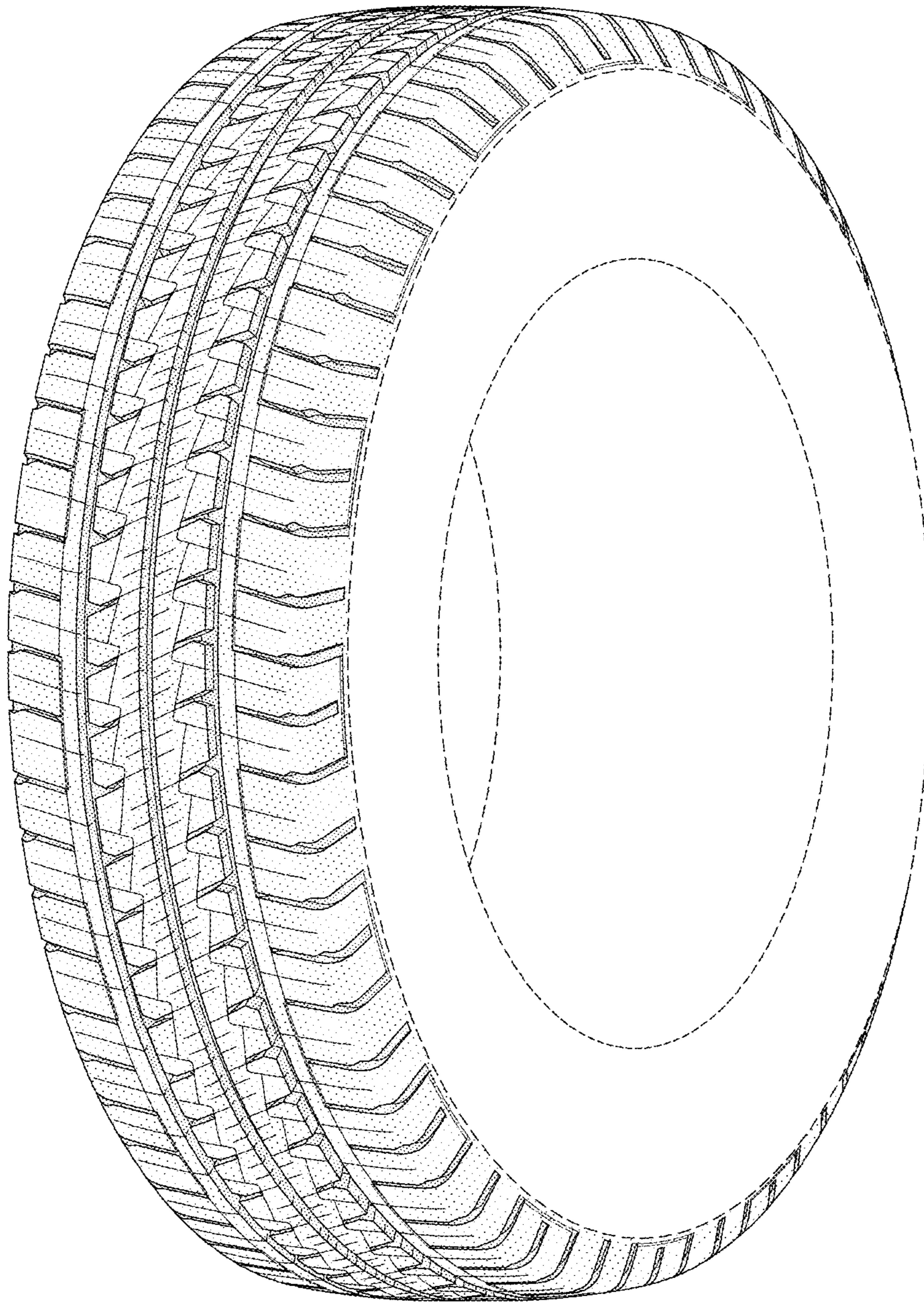


FIG-1

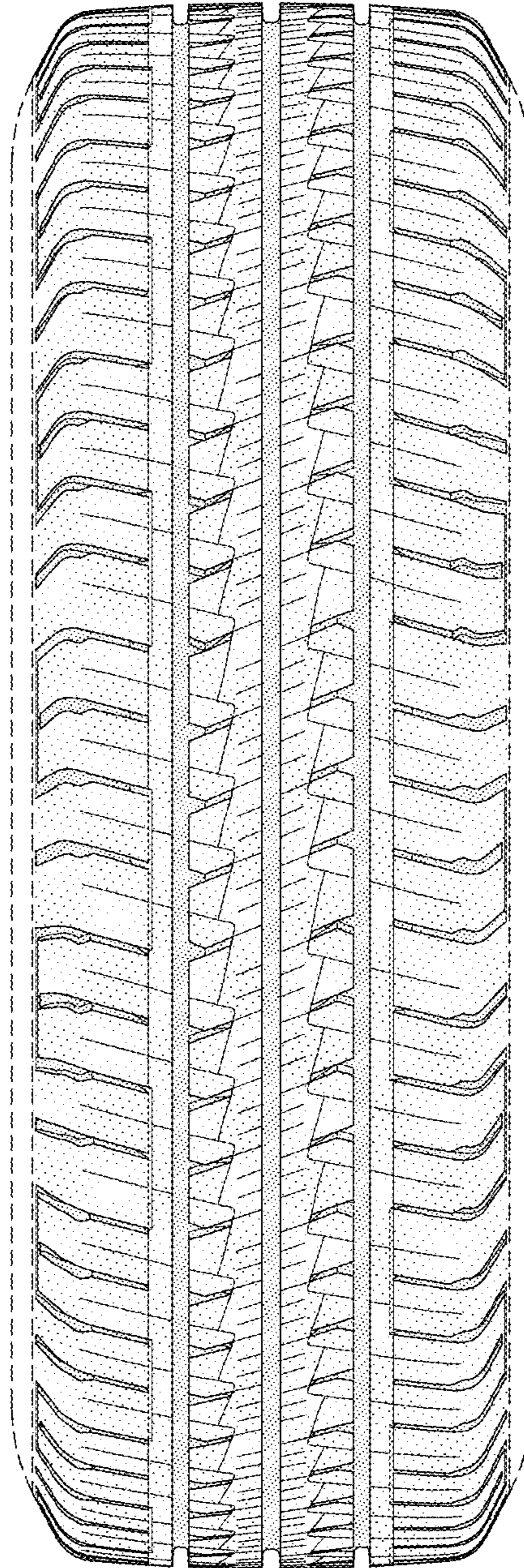


FIG-2

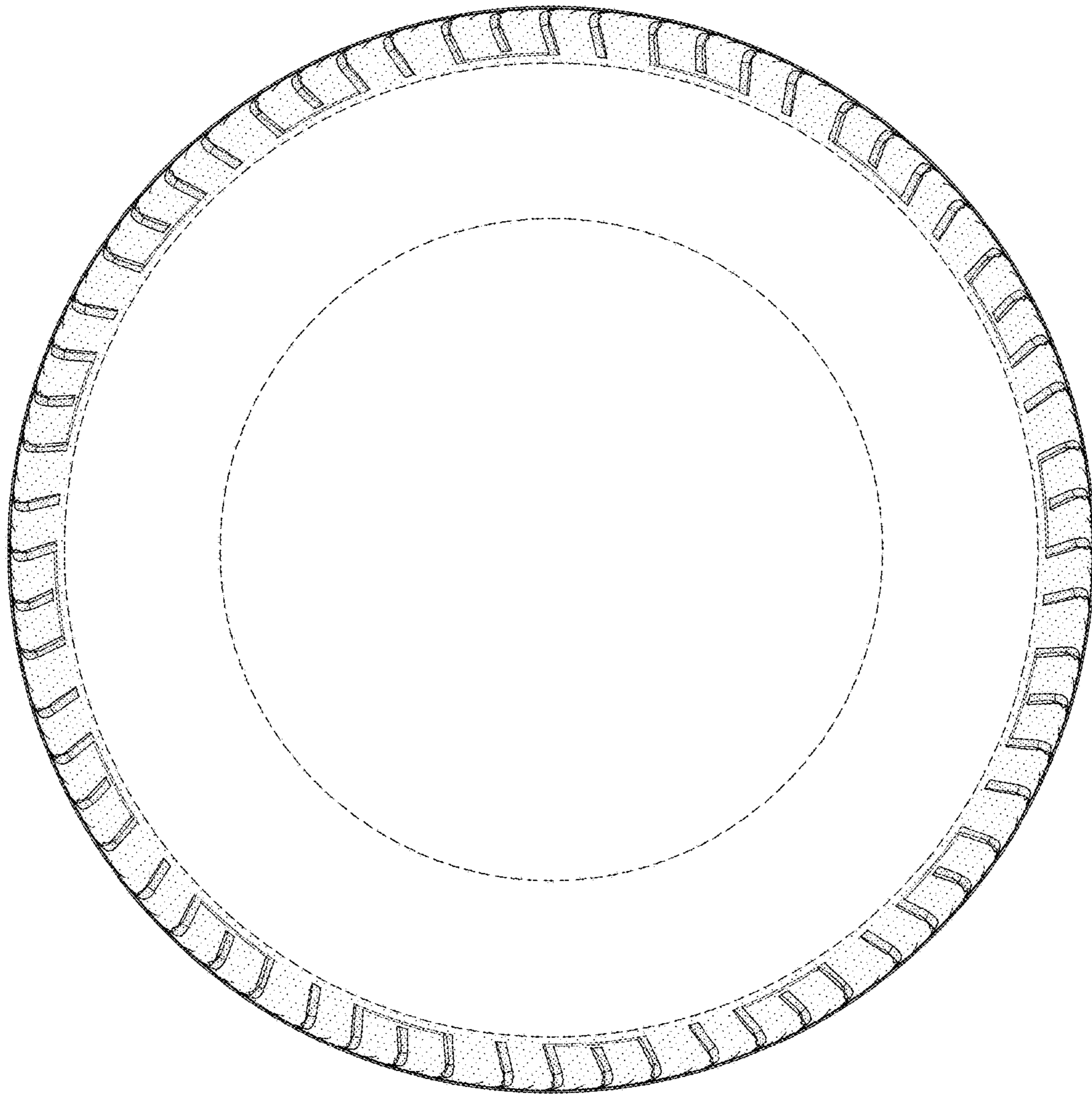


FIG-3

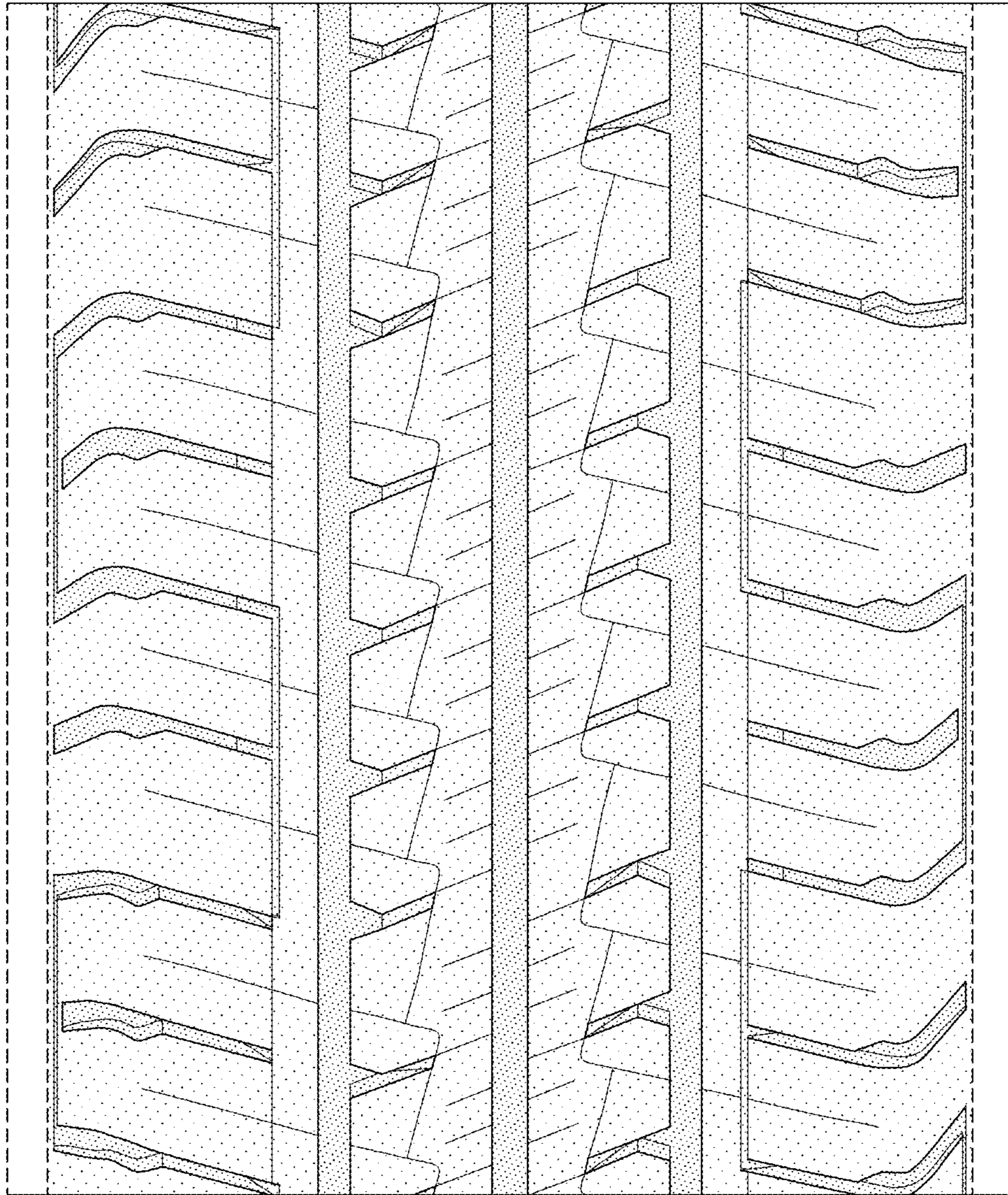


FIG-4

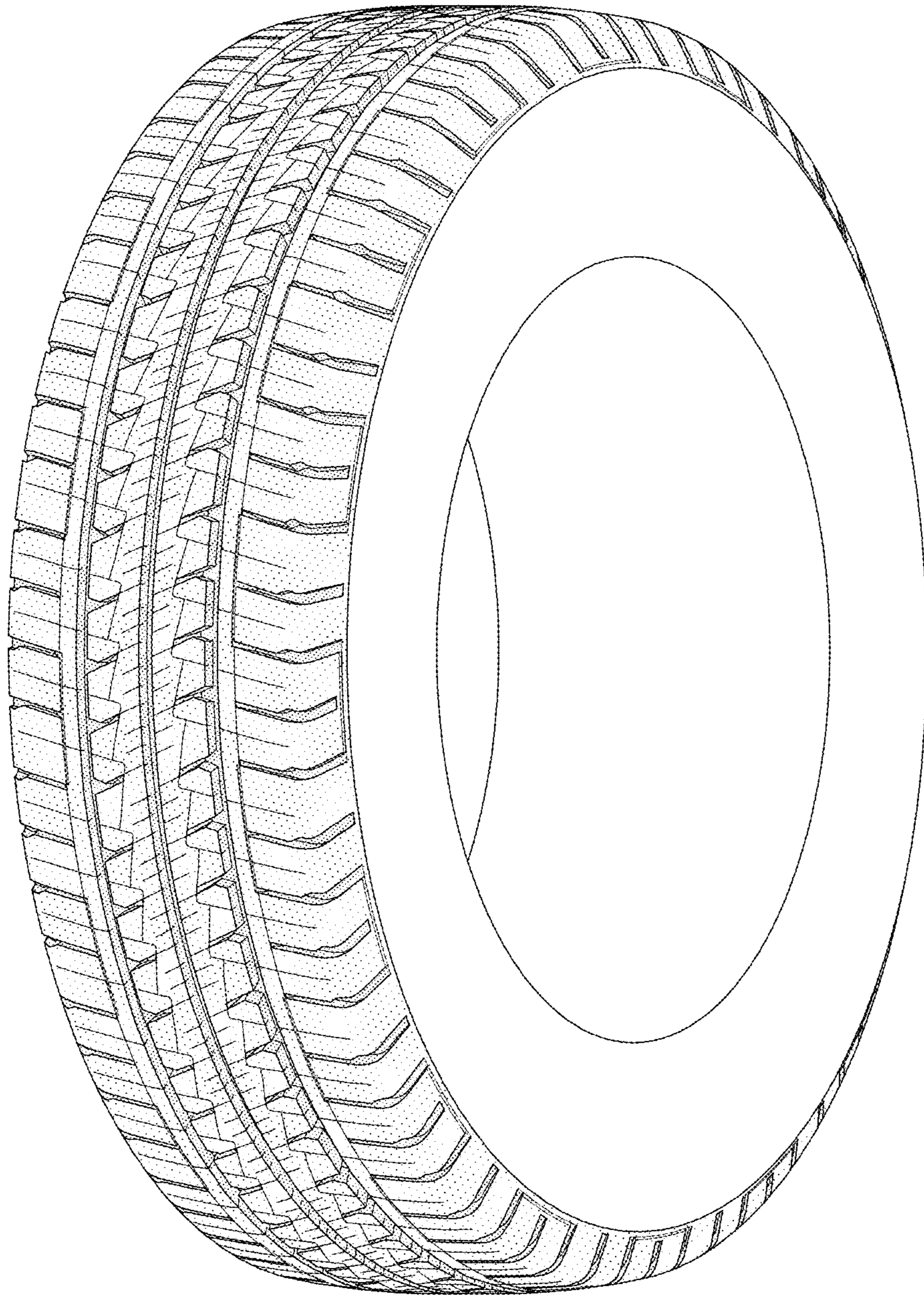


FIG-5

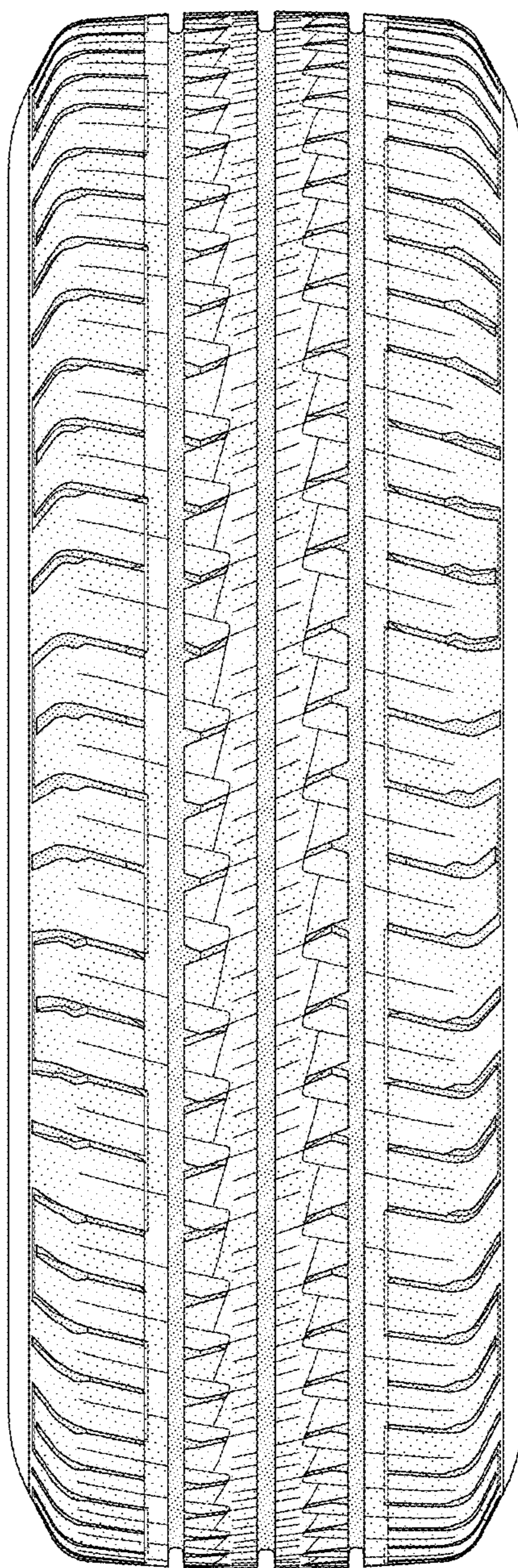


FIG-6