



US00D783513S

(12) **United States Design Patent**
Hamanaka

(10) **Patent No.:** **US D783,513 S**

(45) **Date of Patent:** **** Apr. 11, 2017**

(54) **AUTOMOBILE TIRE**

OTHER PUBLICATIONS

(71) Applicant: **THE YOKOHAMA RUBBER CO., LTD.**, Minato-ku, Tokyo (JP)

Aug. 26, 2014—(JP) Office Action—App 2014-007042—Partial Eng Tran.

(72) Inventor: **Hideki Hamanaka**, Hiratsuka (JP)

* cited by examiner

(73) Assignee: **THE YOKOHAMA RUBBER CO., LTD.**, Minato-ku, Tokyo (JP)

Primary Examiner — George D Kirschbaum

(74) *Attorney, Agent, or Firm* — Banner & Witcoff, Ltd.

(**) Term: **14 Years**

(57) **CLAIM**

(21) Appl. No.: **29/503,876**

The ornamental design for an automobile tire, as shown and described.

(22) Filed: **Sep. 30, 2014**

DESCRIPTION

(30) **Foreign Application Priority Data**

Mar. 31, 2014 (JP) 2014-007042

(51) **LOC (10) Cl.** **12-15**

(52) **U.S. Cl.**
USPC **D12/584**

(58) **Field of Classification Search**
USPC D12/584, 588, 600
CPC B60C 11/0306
See application file for complete search history.

FIG. 1 is a perspective view of an automobile tire showing my new design;

FIG. 2 is a front view thereof;

FIG. 3 is a rear view thereof;

FIG. 4 is a left side view thereof;

FIG. 5 is a right side view thereof;

FIG. 6 is a top plan view thereof;

FIG. 7 is a bottom view thereof;

FIG. 8 is an enlarged perspective view of a portion defined by lines 8-8 shown in FIG. 1;

FIG. 9 is an enlarged front view of a portion defined by lines 9-9 shown in FIG. 2;

FIG. 10 is an enlarged front view of a portion defined by lines 10-10 shown in FIG. 2; and,

FIG. 11 is a sectional view taken along lines 11-11 shown in FIG. 9.

The broken lines shown are included for the purpose of illustrating the unclaimed portions of the automobile tire and form no part of the claimed design. The dot-dashed lines which define the bounds of the claimed design form no part thereof.

(56) **References Cited**

U.S. PATENT DOCUMENTS

D606,485 S * 12/2009 Williamson D12/588
7,836,926 B2 * 11/2010 Suzuki B60C 11/0306
152/209.18

D739,814 S * 9/2015 Moore D12/600
D757,639 S * 5/2016 Hamanaka D12/584

FOREIGN PATENT DOCUMENTS

JP 2001-301425 A 10/2001
JP D1299690 5/2007

1 Claim, 11 Drawing Sheets

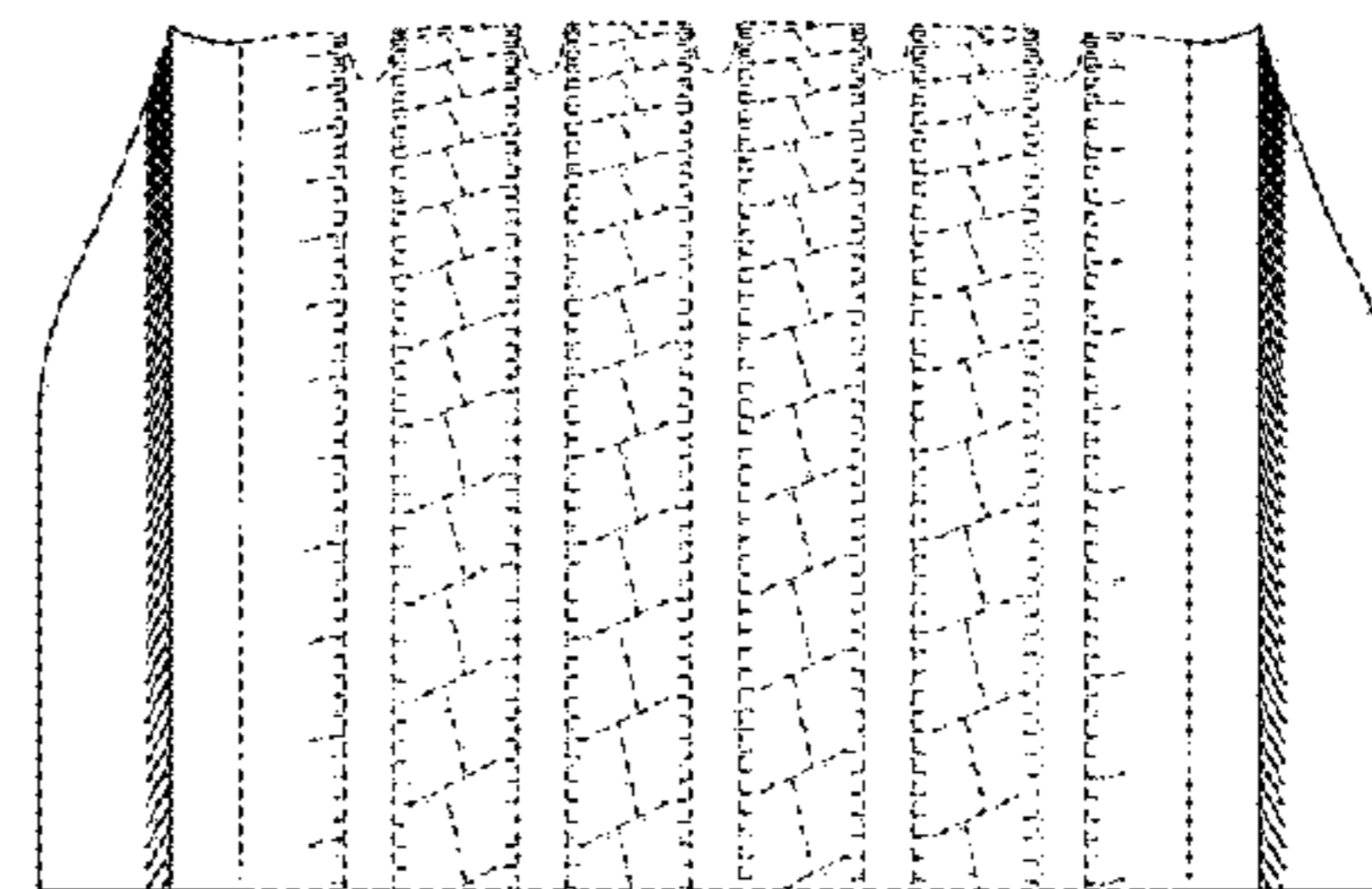
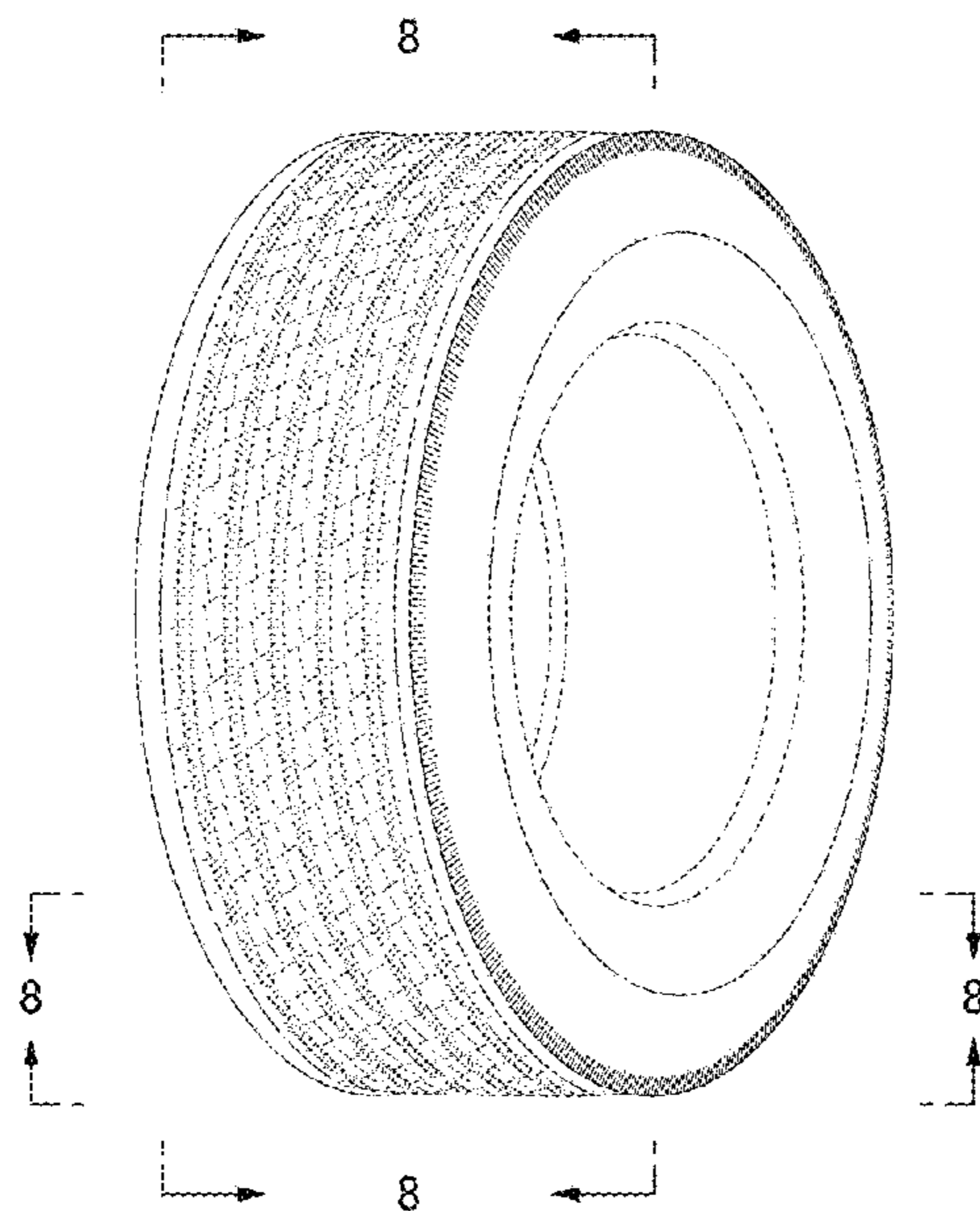


FIG. 1

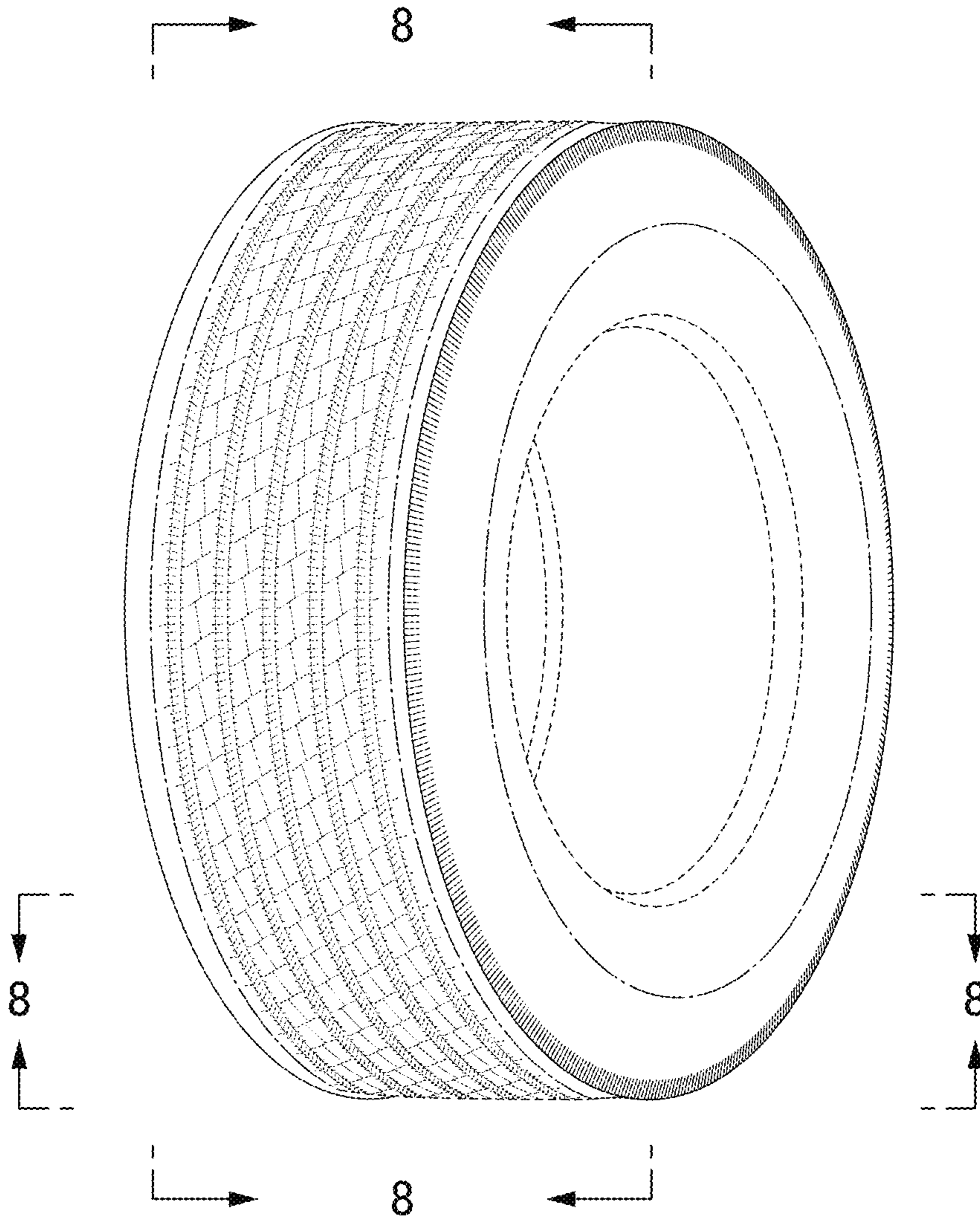


FIG. 2

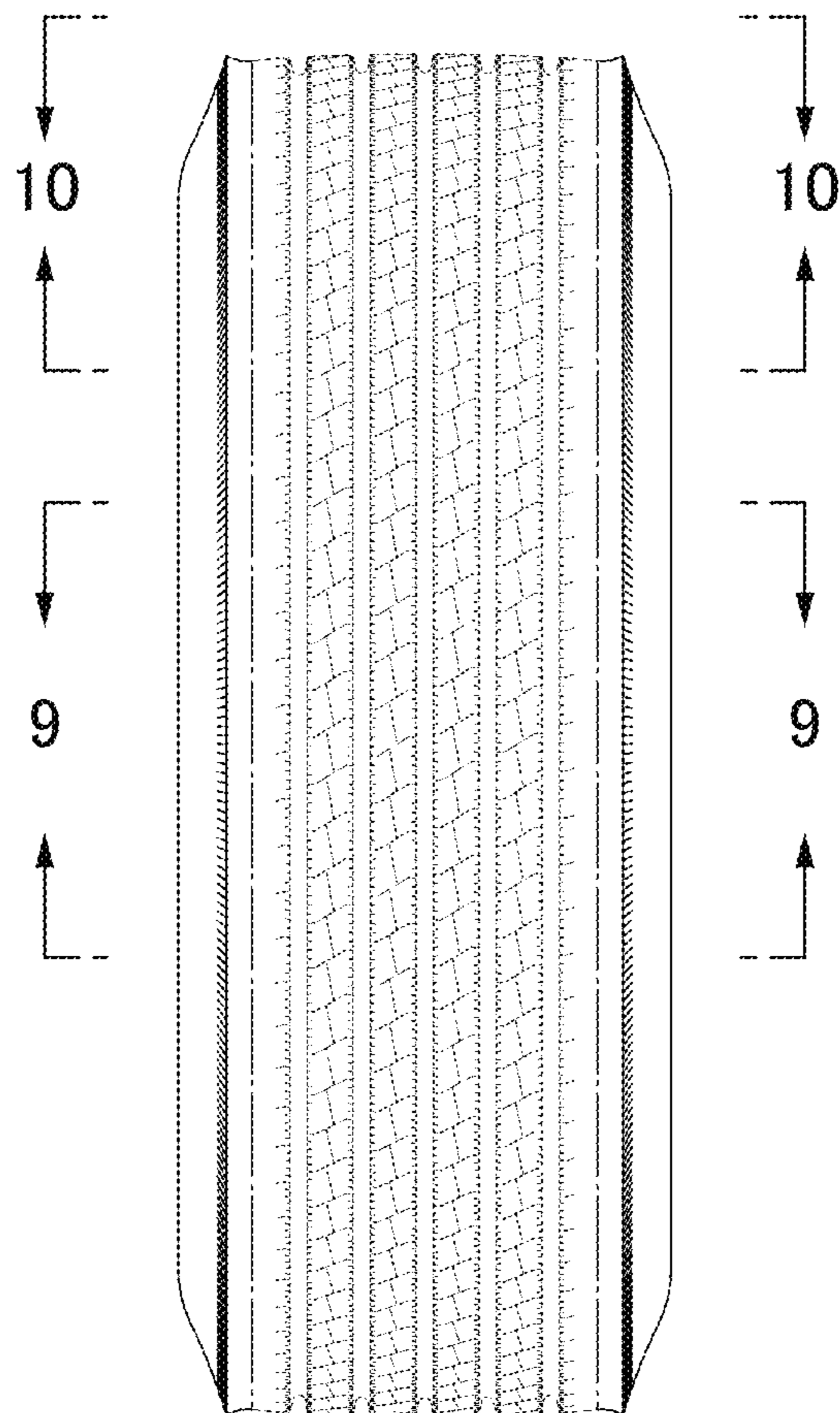


FIG. 3

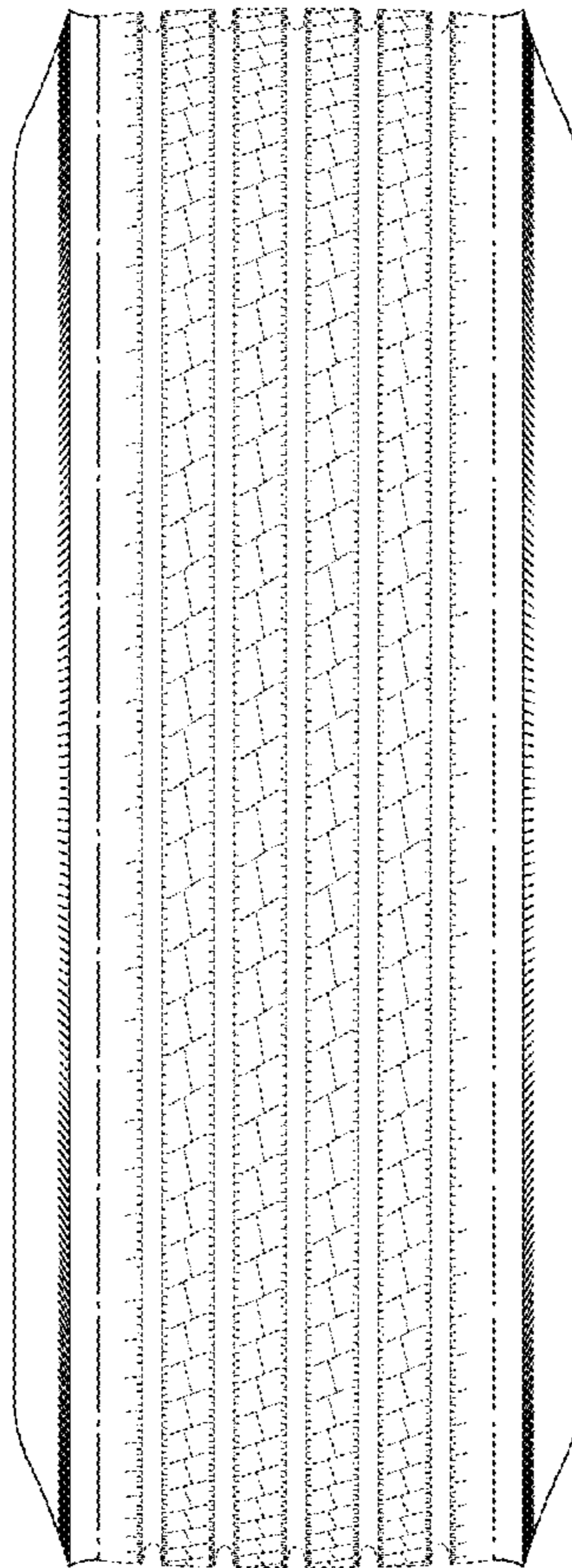


FIG. 4

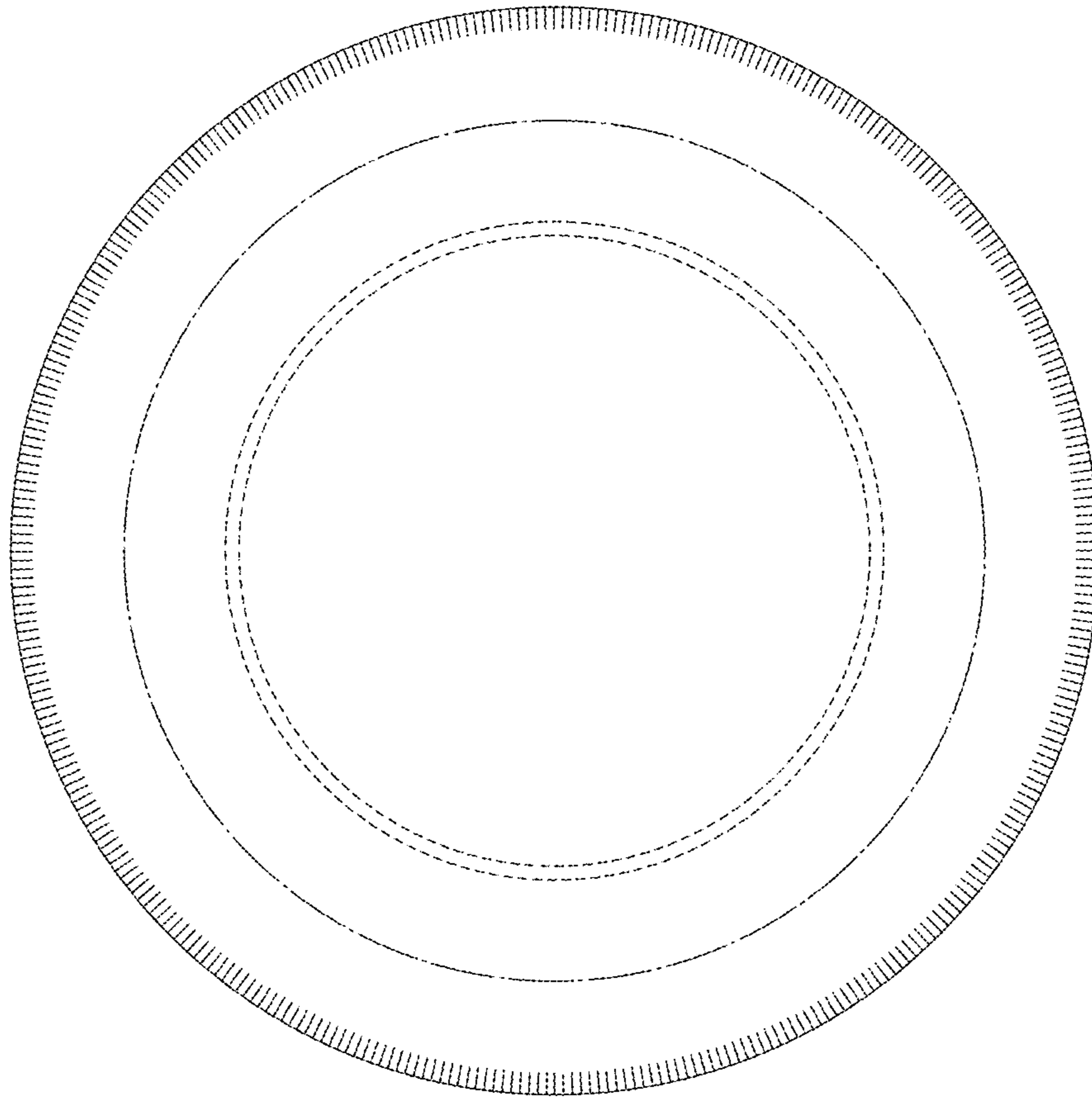


FIG. 5

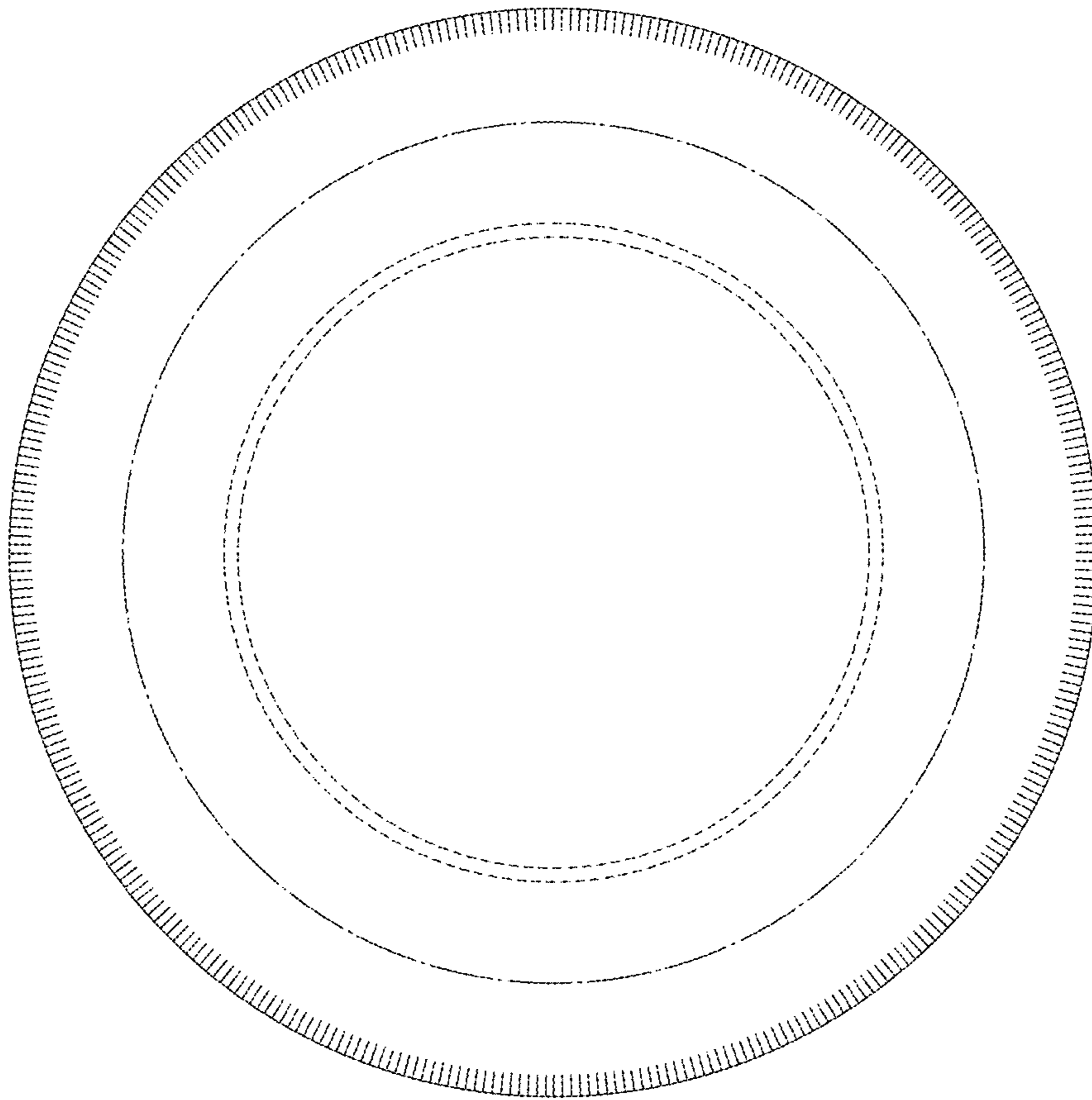


FIG. 6

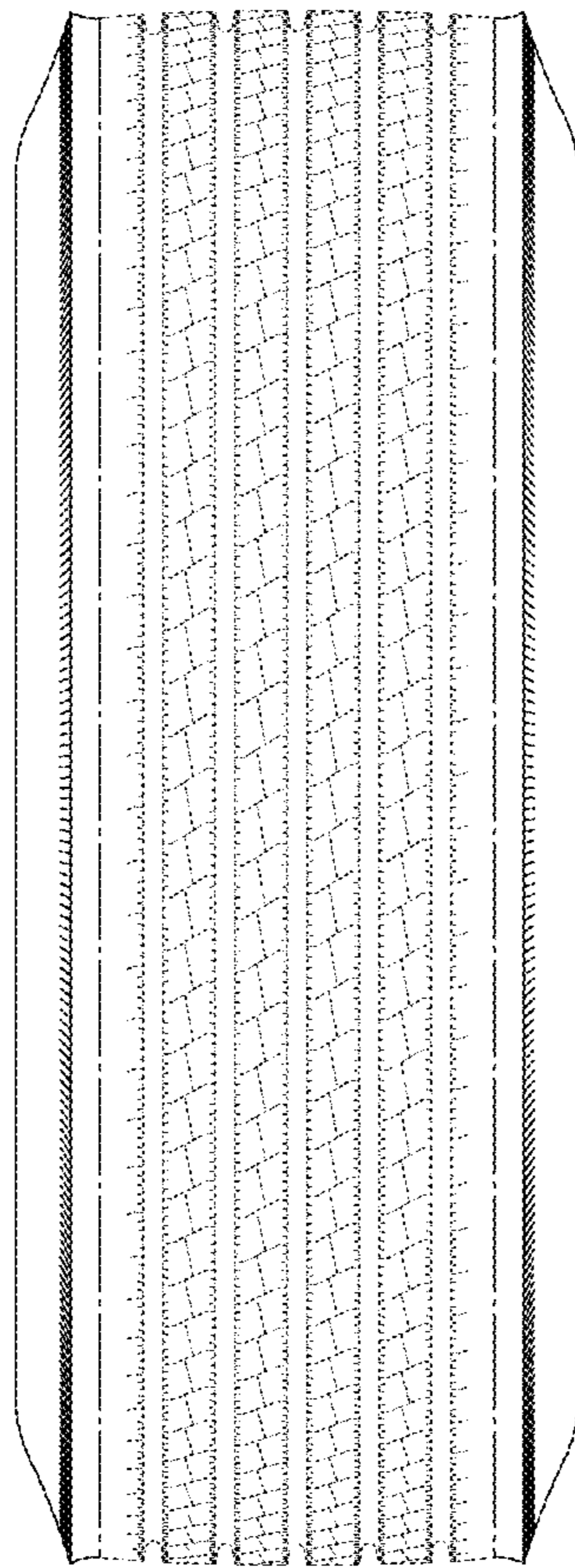


FIG. 7

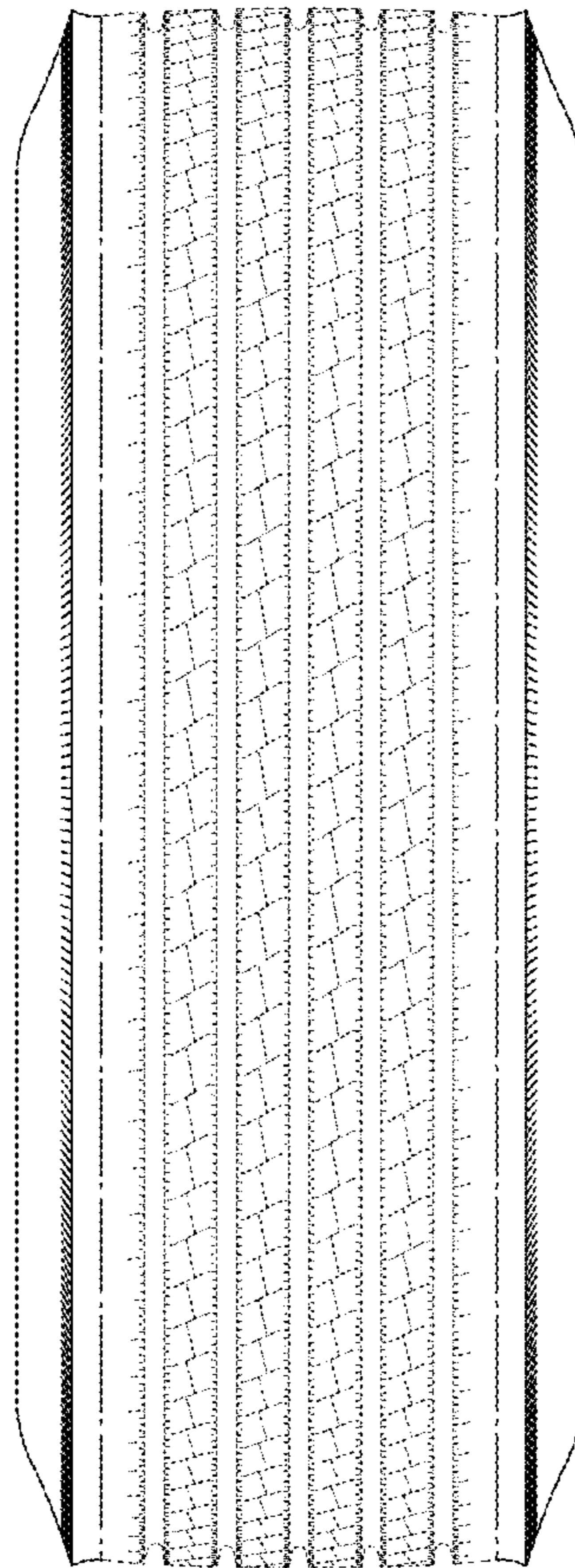


FIG. 8

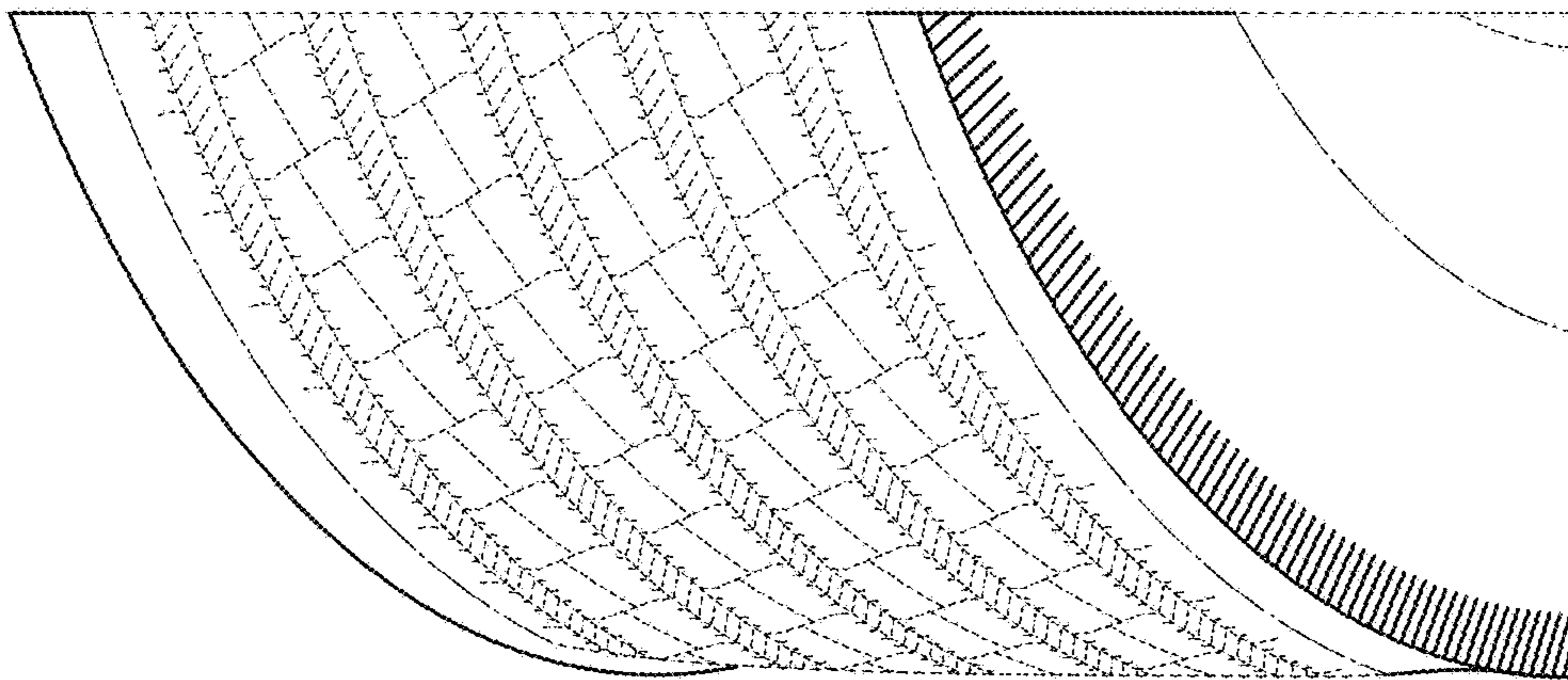


FIG. 9

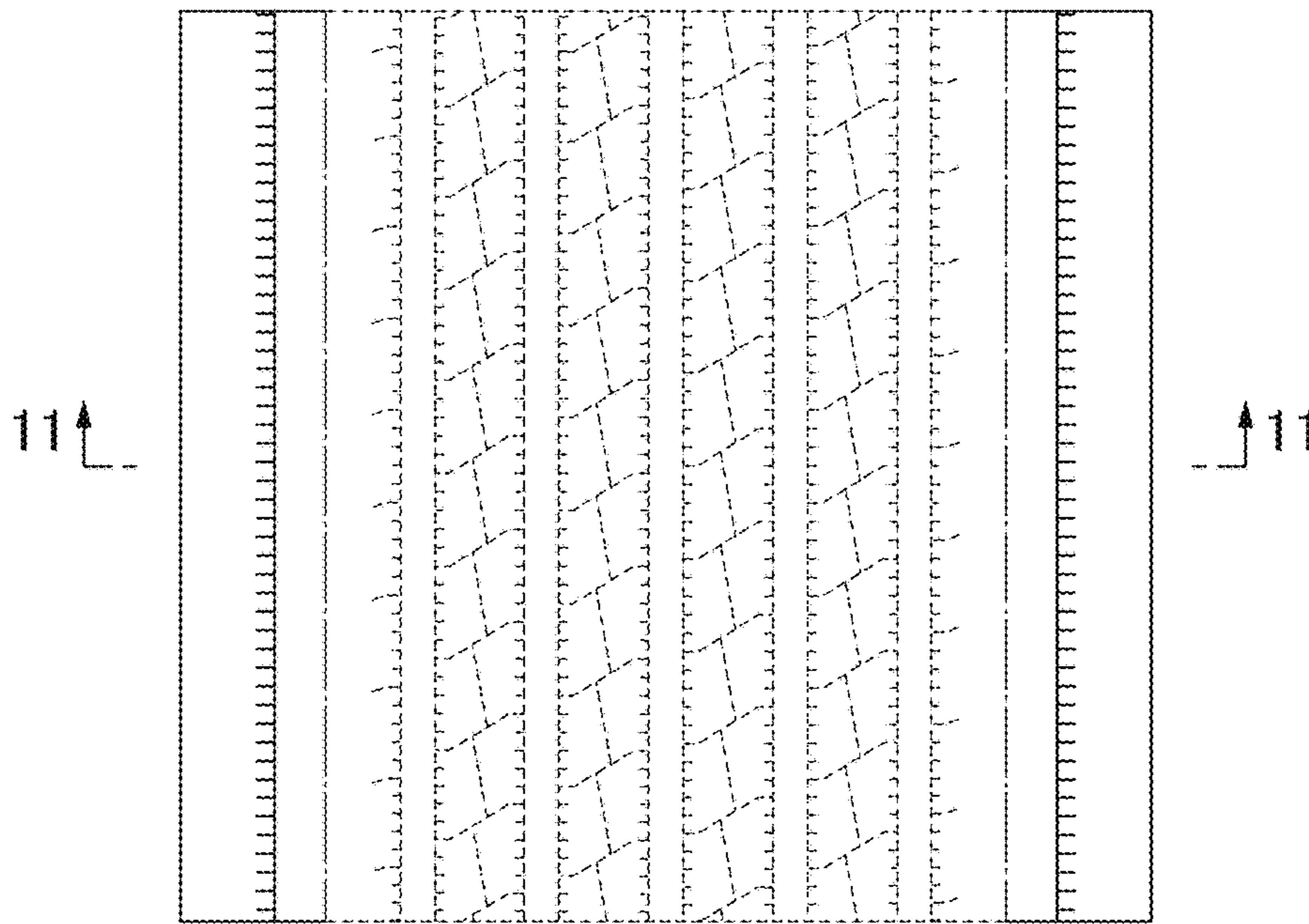


FIG. 10

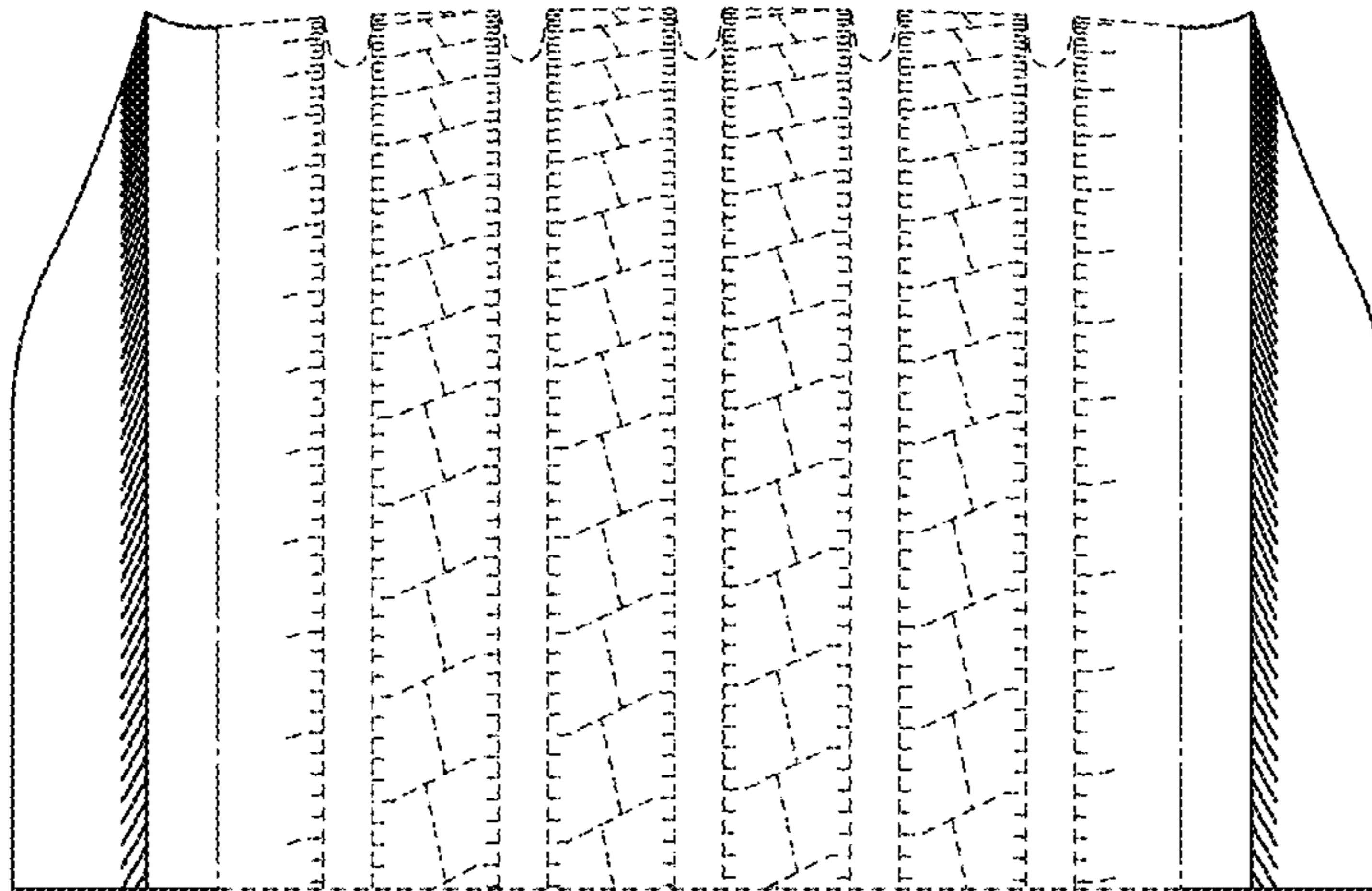


FIG. 11

