



US00D783509S

(12) **United States Design Patent**  
**Scalas**

(10) **Patent No.:** **US D783,509 S**

(45) **Date of Patent:** **\*\* Apr. 11, 2017**

(54) **TIRE TREAD**

(71) Applicant: **BRIDGESTONE CORPORATION**,  
Tokyo (JP)

(72) Inventor: **Luca Scalas**, Rome (IT)

(73) Assignee: **BRIDGESTONE CORPORATION**,  
Tokyo (JP)

(\*\*) Term: **15 Years**

(21) Appl. No.: **29/535,259**

(22) Filed: **Aug. 5, 2015**

(30) **Foreign Application Priority Data**

Mar. 24, 2015 (EM) ..... 002666461-0001

(51) **LOC (10) Cl.** ..... **12-15**

(52) **U.S. Cl.**  
USPC ..... **D12/567**

(58) **Field of Classification Search**

USPC ..... D12/533-567

CPC ..... B60C 1/0016; B60C 11/0306; B60C  
11/0302; B60C 3/06; B60C 9/17

See application file for complete search history.

(56) **References Cited**

**U.S. PATENT DOCUMENTS**

D556,671 S \* 12/2007 Nonaka ..... D12/567

D597,477 S \* 8/2009 Ogawa ..... D12/559

D646,622 S \* 10/2011 Nobunaga ..... D12/566  
D646,623 S \* 10/2011 Kojima ..... D12/566  
D648,259 S \* 11/2011 Oki ..... D12/566  
D661,245 S \* 6/2012 Buchinger-Barnstorf ... D12/564  
D703,607 S \* 4/2014 Nobunaga ..... D12/545  
D735,639 S \* 8/2015 Tian ..... D12/536  
D740,214 S \* 10/2015 Le ..... D12/600

\* cited by examiner

*Primary Examiner* — Robert M Spear

*Assistant Examiner* — John Voytek

(74) *Attorney, Agent, or Firm* — Sughrue Mion, PLLC

(57) **CLAIM**

The ornamental design for a tire tread, as shown and described.

**DESCRIPTION**

FIG. 1 is a perspective view of the tire tread showing our design;

FIG. 2 is a left view thereof;

FIG. 3 is a right view thereof;

FIG. 4 is a front view thereof;

FIG. 5 is a rear view thereof;

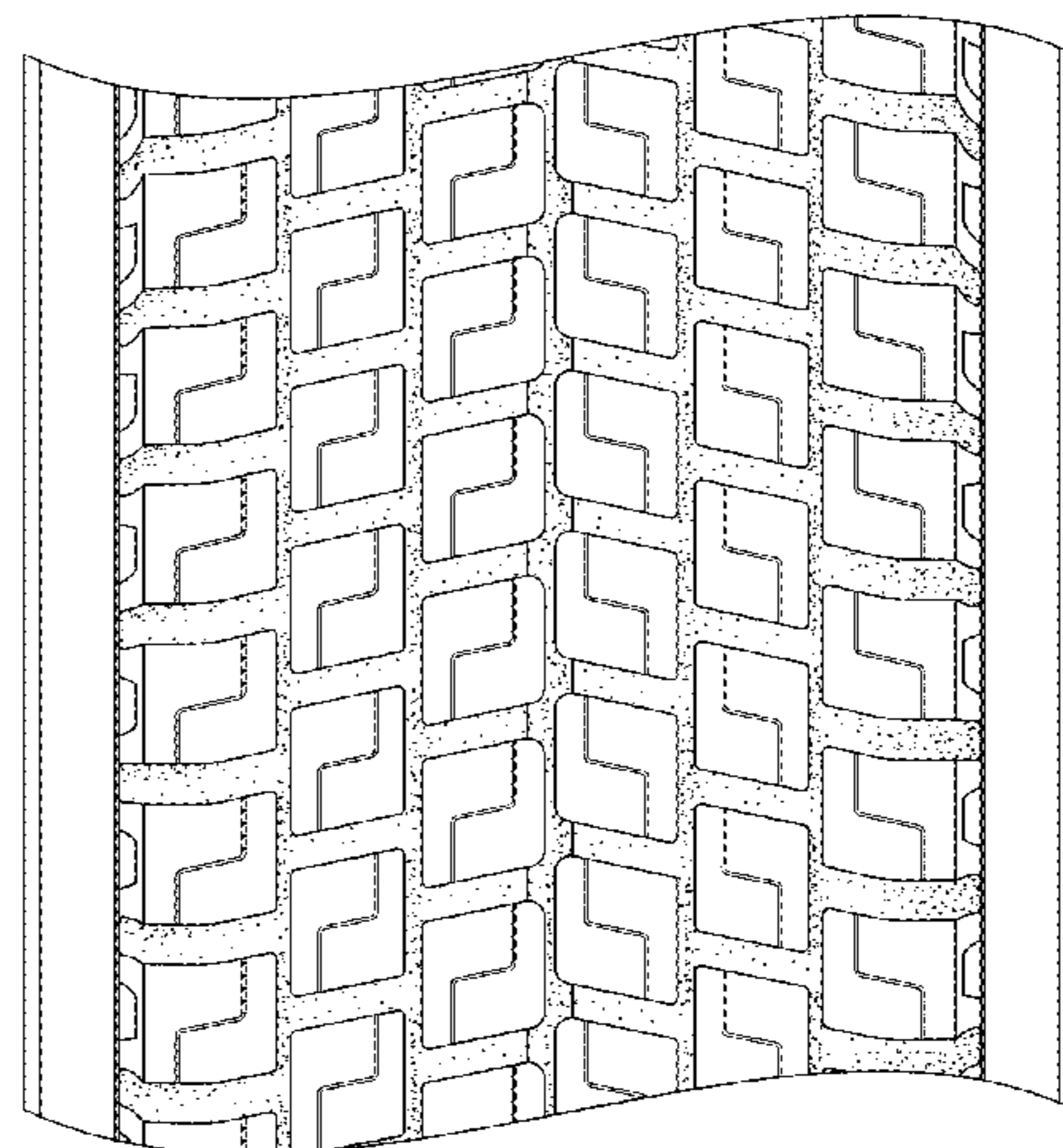
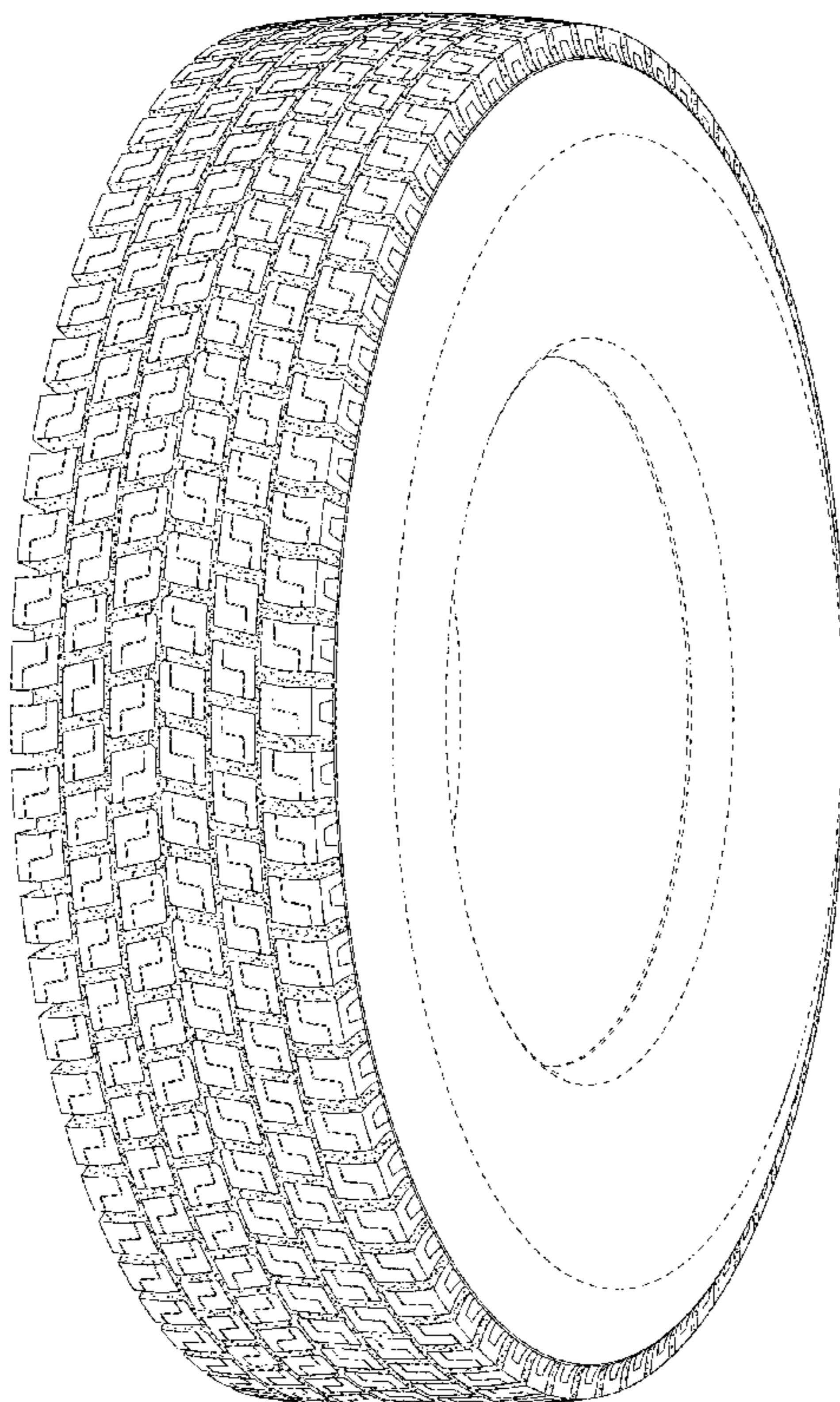
FIG. 6 is a plan view thereof showing the tread pattern;

FIG. 7 is a plan view thereof showing the tread pattern, with section line A-A; and,

FIG. 8 is a sectional view taken along line A-A in FIG. 7.

The broken lines are used to show portions of the tire tread that are not being claimed, and thus form no part of the claimed design.

**1 Claim, 8 Drawing Sheets**



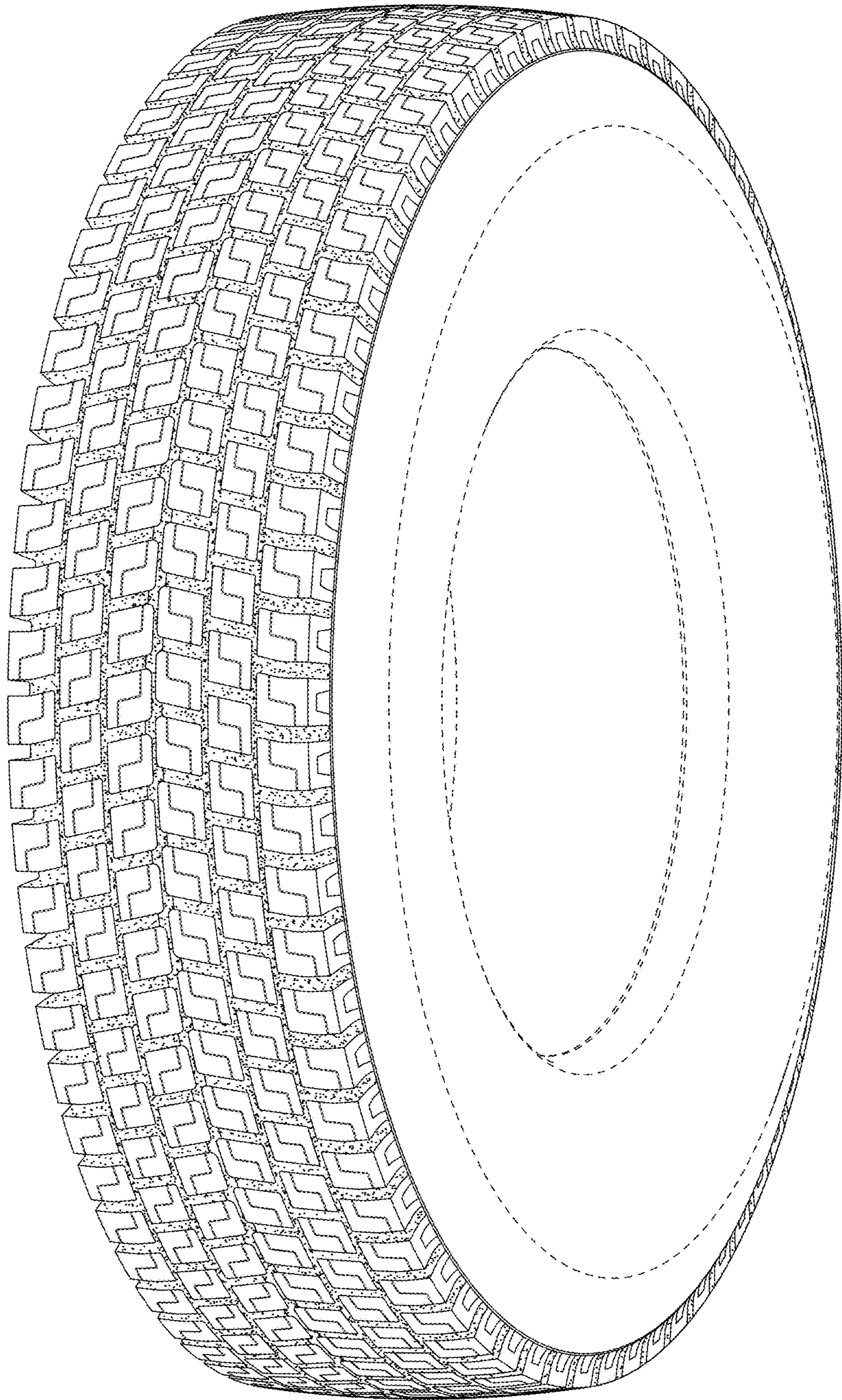


FIG. 1

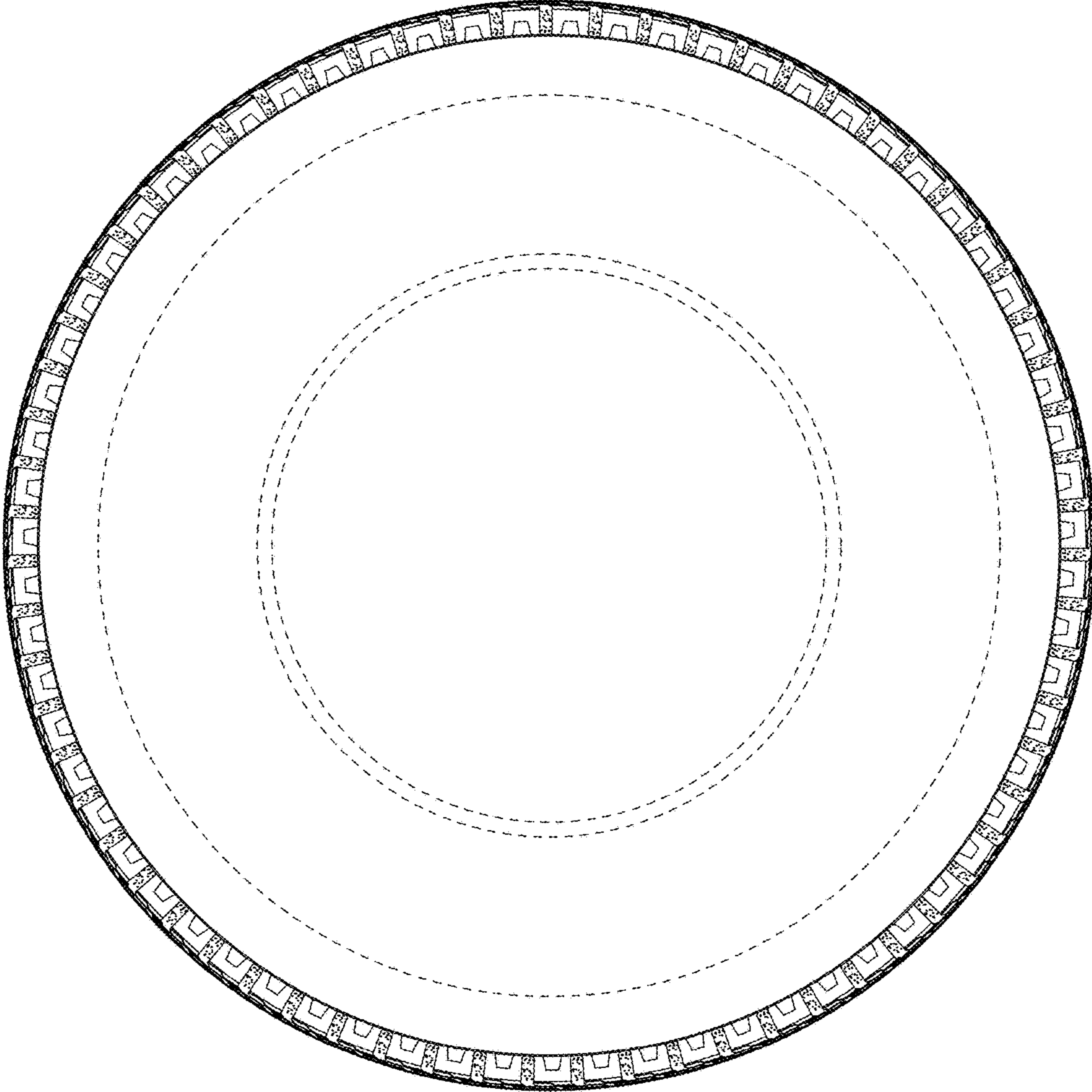


FIG. 2

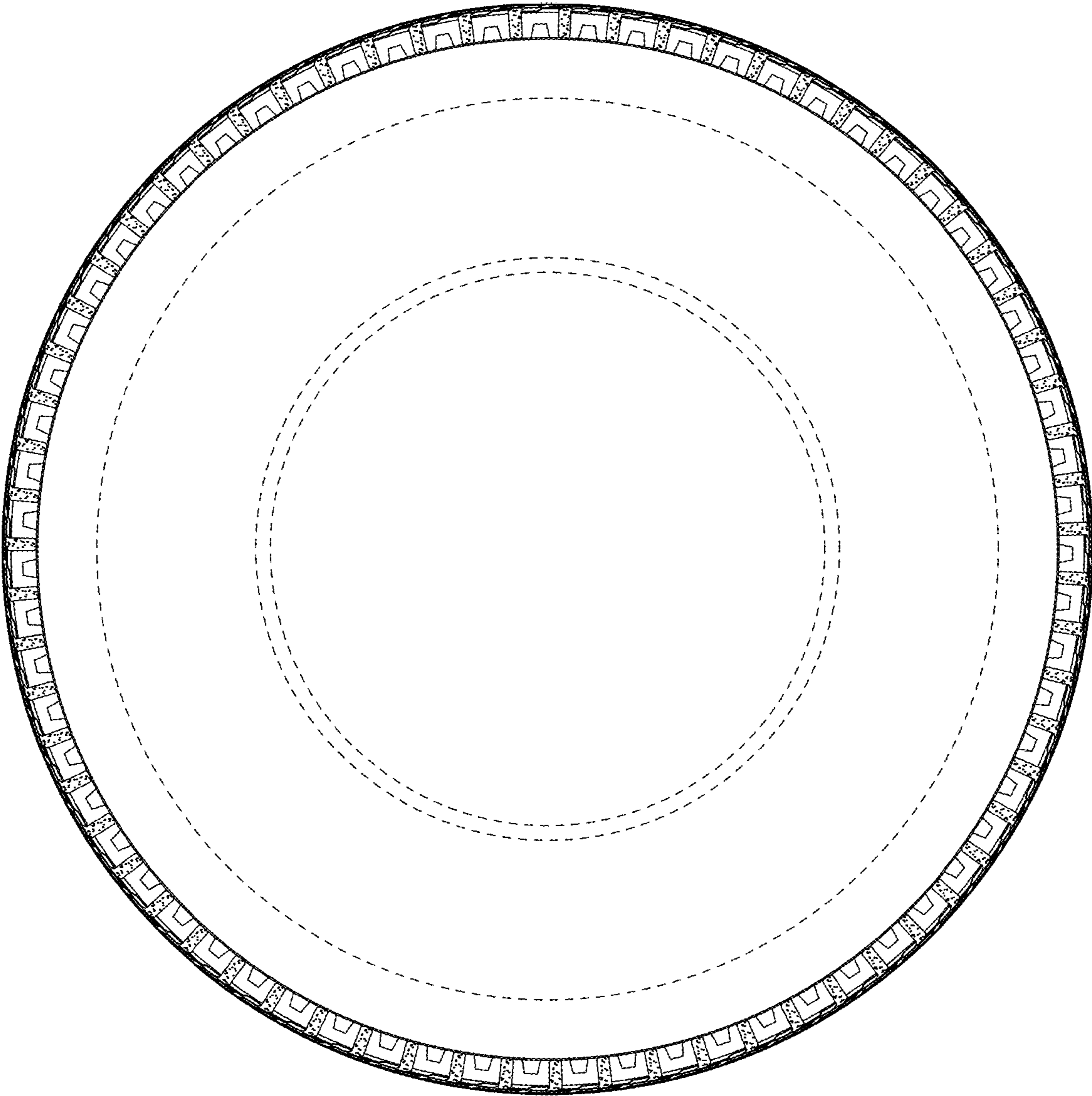


FIG. 3

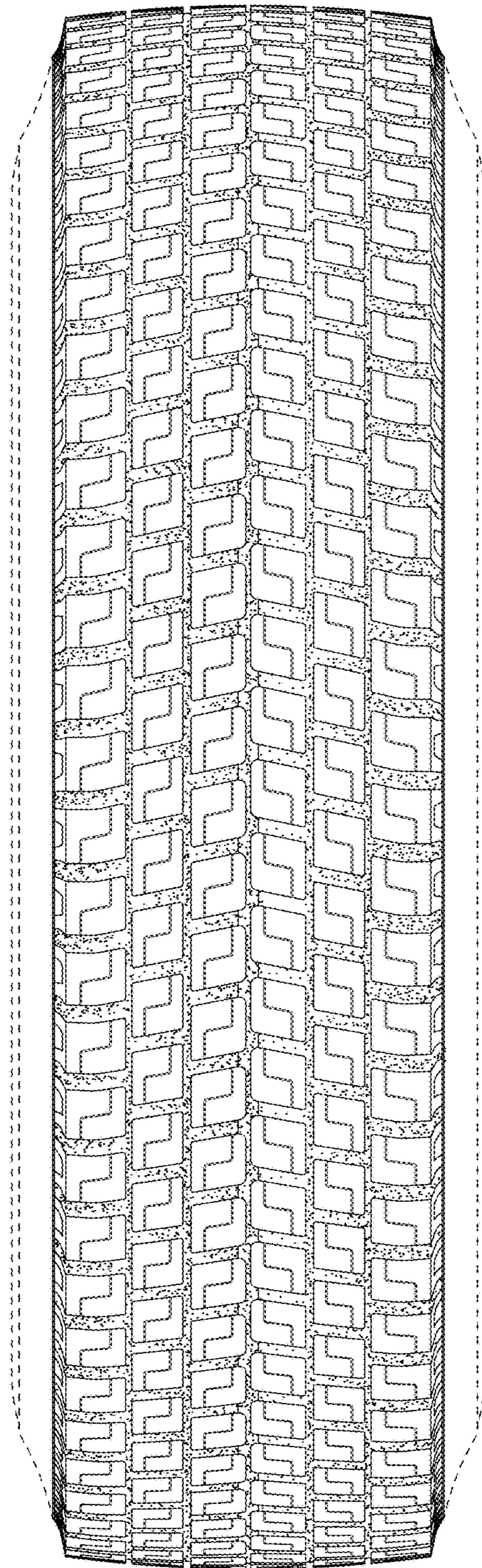


FIG. 4

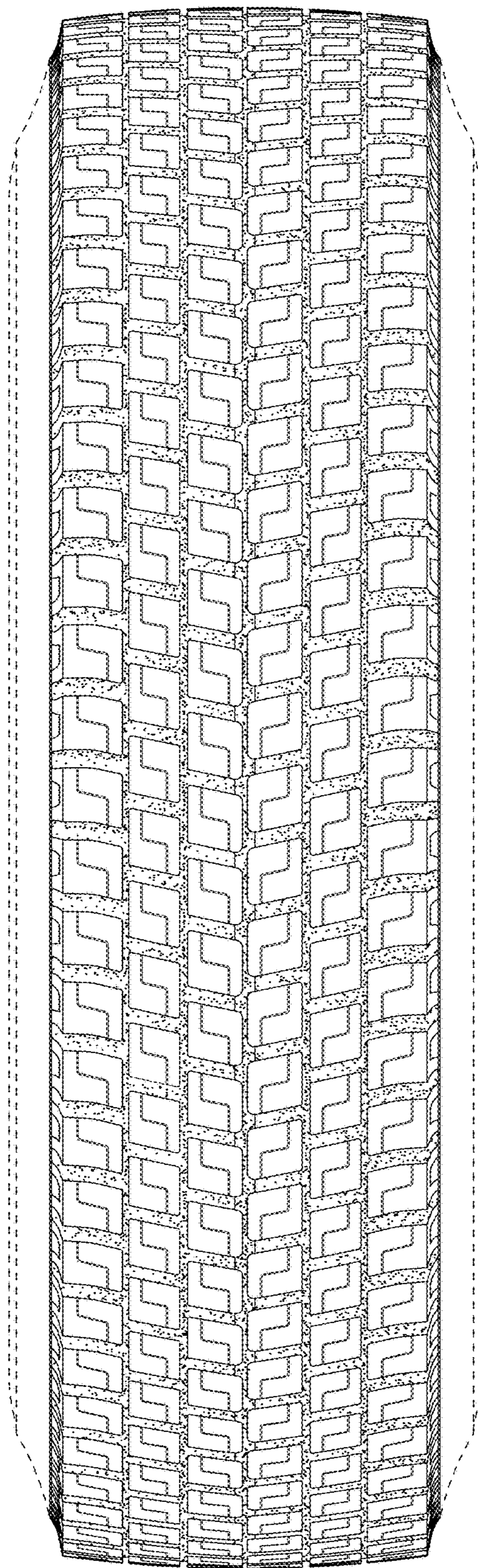


FIG. 5

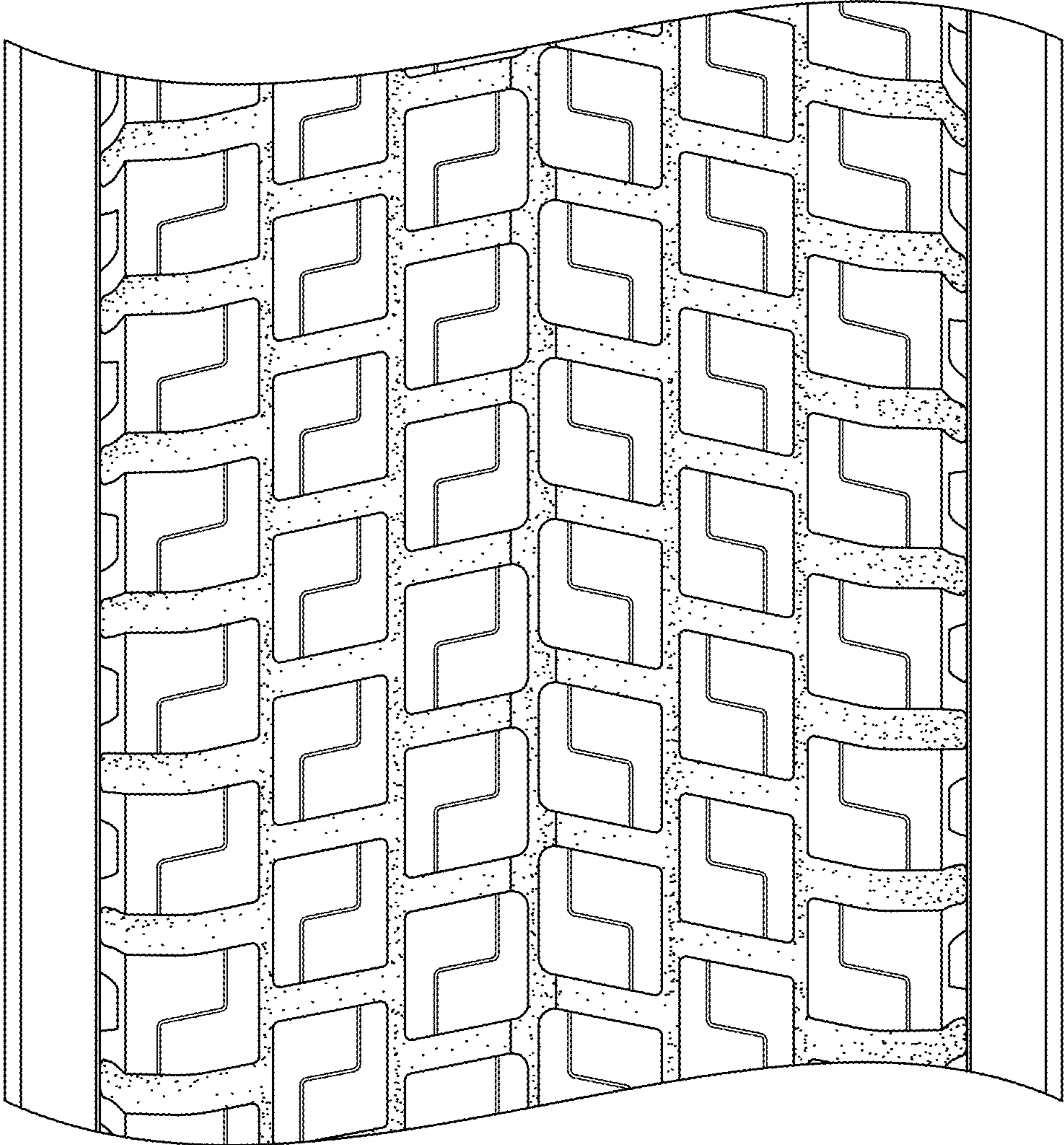


FIG. 6

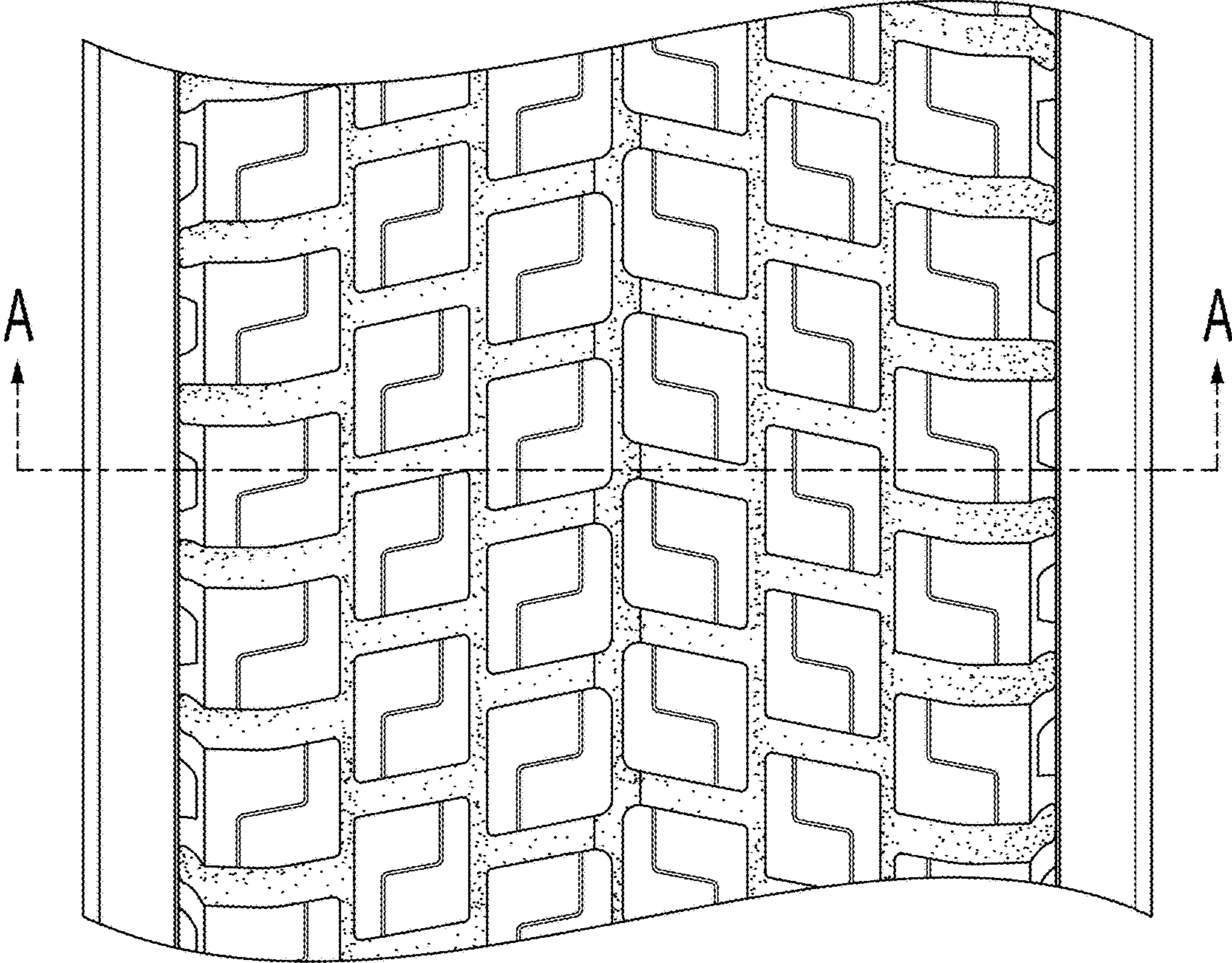


FIG. 7



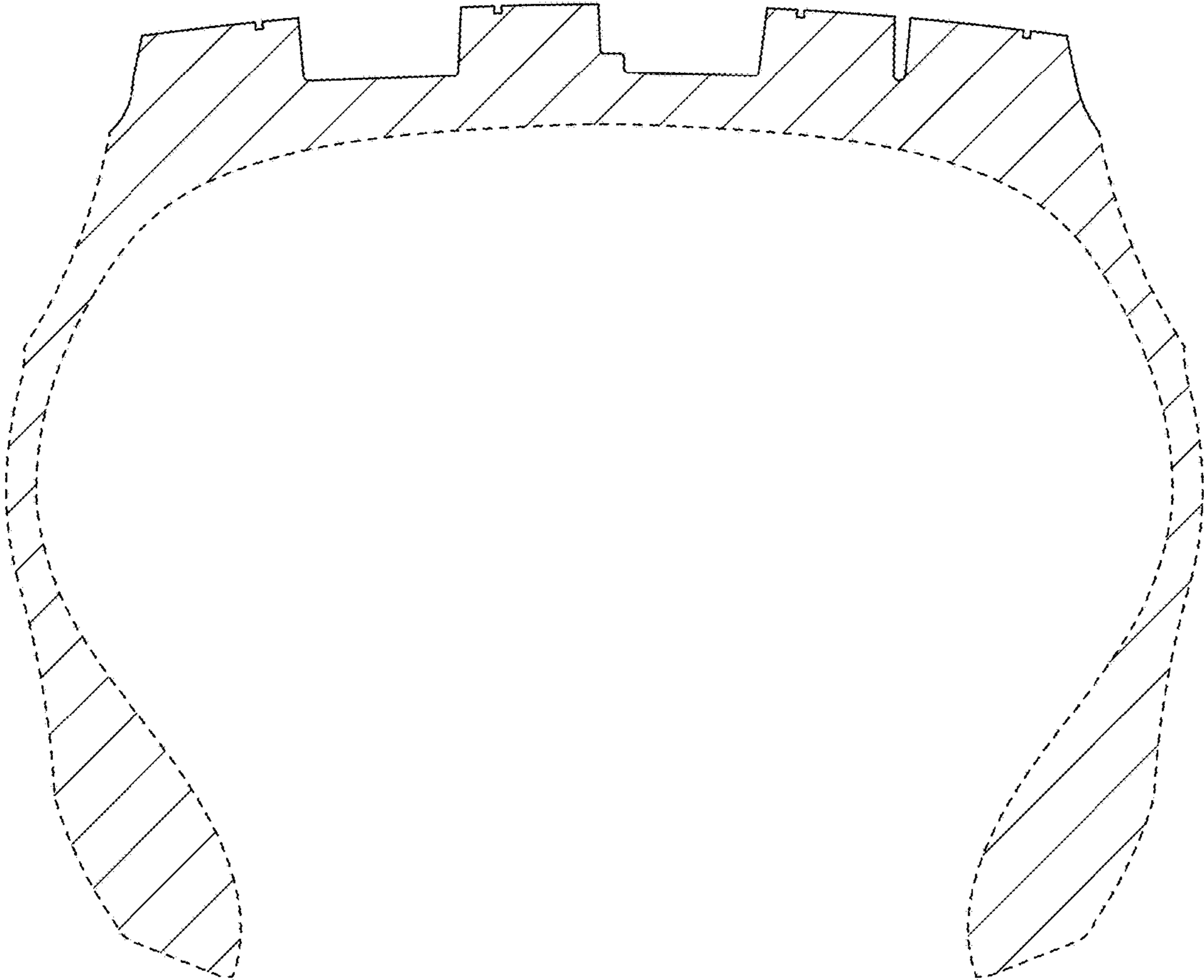


FIG. 8