



US00D783505S

(12) **United States Design Patent**  
**Neal**

(10) **Patent No.:** **US D783,505 S**

(45) **Date of Patent:** **\*\* Apr. 11, 2017**

(54) **HEARSE CONVERSION INSERT FOR A VEHICLE CHASSIS**

(71) Applicant: **Richard J Neal**, Morrilton, AR (US)

(72) Inventor: **Richard J Neal**, Morrilton, AR (US)

(\*\*) Term: **15 Years**

(21) Appl. No.: **29/529,970**

(22) Filed: **Jun. 11, 2015**

(51) **LOC (10) Cl.** ..... **12-16**

(52) **U.S. Cl.**  
USPC ..... **D12/400**

(58) **Field of Classification Search**  
USPC ..... D12/107, 110, 114, 115, 117, 126, 400,  
D12/401, 404, 415, 423; D25/48.1, 48.3  
CPC . B60R 1/025; B60R 1/08; B62H 5/001; B62J  
9/006; B65D 43/16; B65D 43/22; B65D  
55/02; F21S 48/00; G01S 13/931  
See application file for complete search history.

(56) **References Cited**

**U.S. PATENT DOCUMENTS**

2,307,172	A	1/1943	Vanhooser	
2,591,380	A	4/1952	Schreiner	
4,282,641	A	8/1981	Phillips	
4,537,438	A	8/1985	Reasor	
D367,246	S *	2/1996	Taylor	D12/100
D367,463	S *	2/1996	Reiland	D12/404
D381,007	S *	7/1997	Hellhake	D12/415
D381,953	S *	8/1997	Collins	D12/401
D382,534	S *	8/1997	Green	D12/406
D383,110	S *	9/1997	Haney, Jr.	D12/401
D384,934	S *	10/1997	Grisel	D12/424
D397,082	S *	8/1998	Kunkel	D12/406
D398,423	S *	9/1998	Mentz	D30/108
D399,184	S *	10/1998	Butler	D12/401
D399,483	S *	10/1998	Paredes, Jr.	D12/424
D403,129	S *	12/1998	Mentz	D30/109
D410,428	S *	6/1999	Bauers	D12/404

D414,302	S *	9/1999	Potestio	D12/413
D418,806	S *	1/2000	Roell	D12/401
D421,956	S *	3/2000	Aubut	D12/401
D424,012	S *	5/2000	Gaytan	D12/404
D428,595	S *	7/2000	Salinas	D12/404
6,089,429	A *	7/2000	Everson	B60R 9/00 224/281
D432,074	S *	10/2000	Harris	D12/404
D432,489	S *	10/2000	Hall	D12/414.1
D432,980	S *	10/2000	Gaytan	D12/404
D437,817	S *	2/2001	Colson	D12/197
D473,839	S *	4/2003	Atencio	D12/414.1

(Continued)

**OTHER PUBLICATIONS**

Professional Cars on Cadillac Chassis, image post date 1965-1966, site visited Feb. 5, 2017, (online), <[http://www.newcadillacdatabase.org/static/CDB/Dbas\\_txt/prof6566.htm](http://www.newcadillacdatabase.org/static/CDB/Dbas_txt/prof6566.htm)>.\*

(Continued)

*Primary Examiner* — Kevin Rudzinski

*Assistant Examiner* — Sean D Lough

(74) *Attorney, Agent, or Firm* — Stephen D. Carver

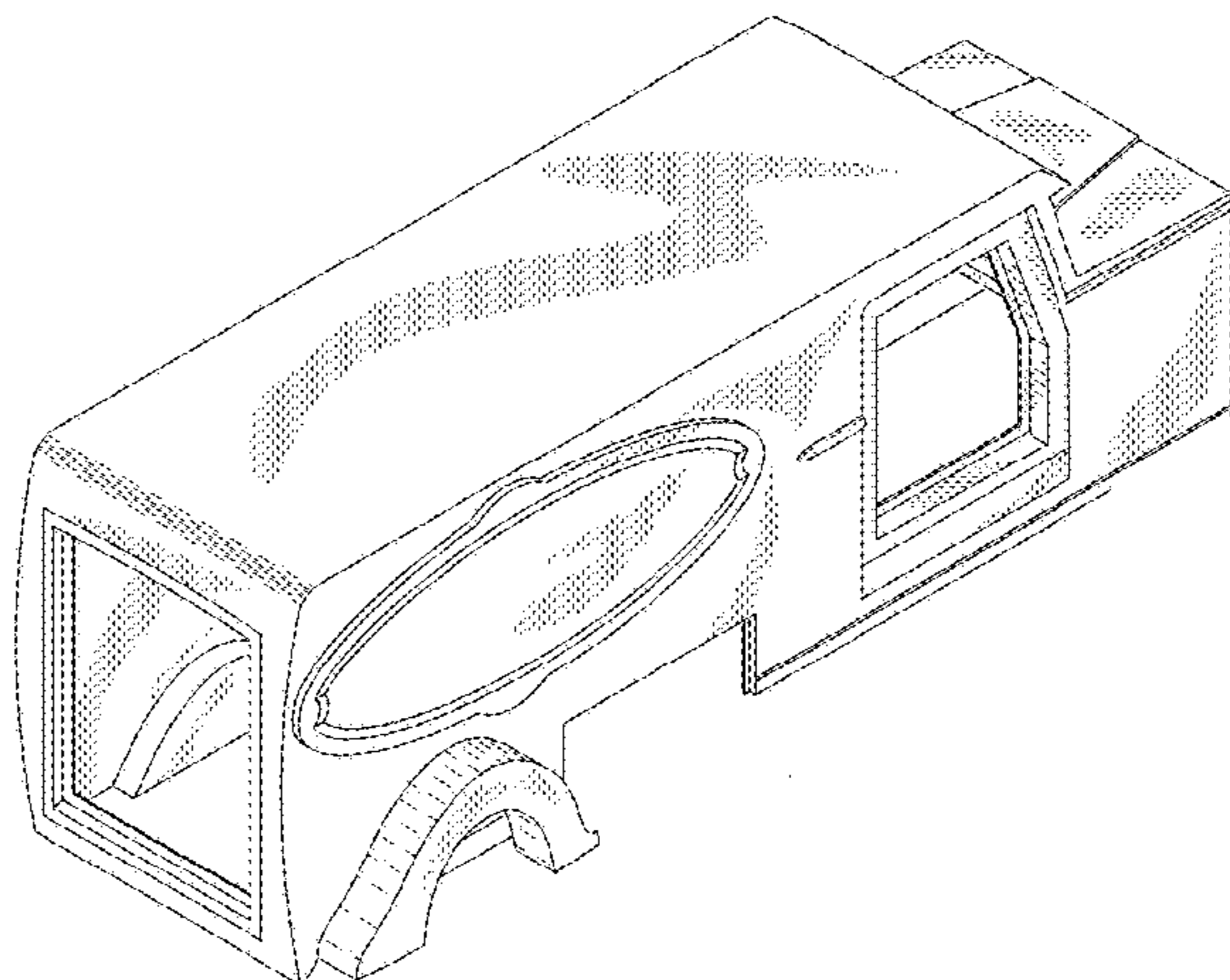
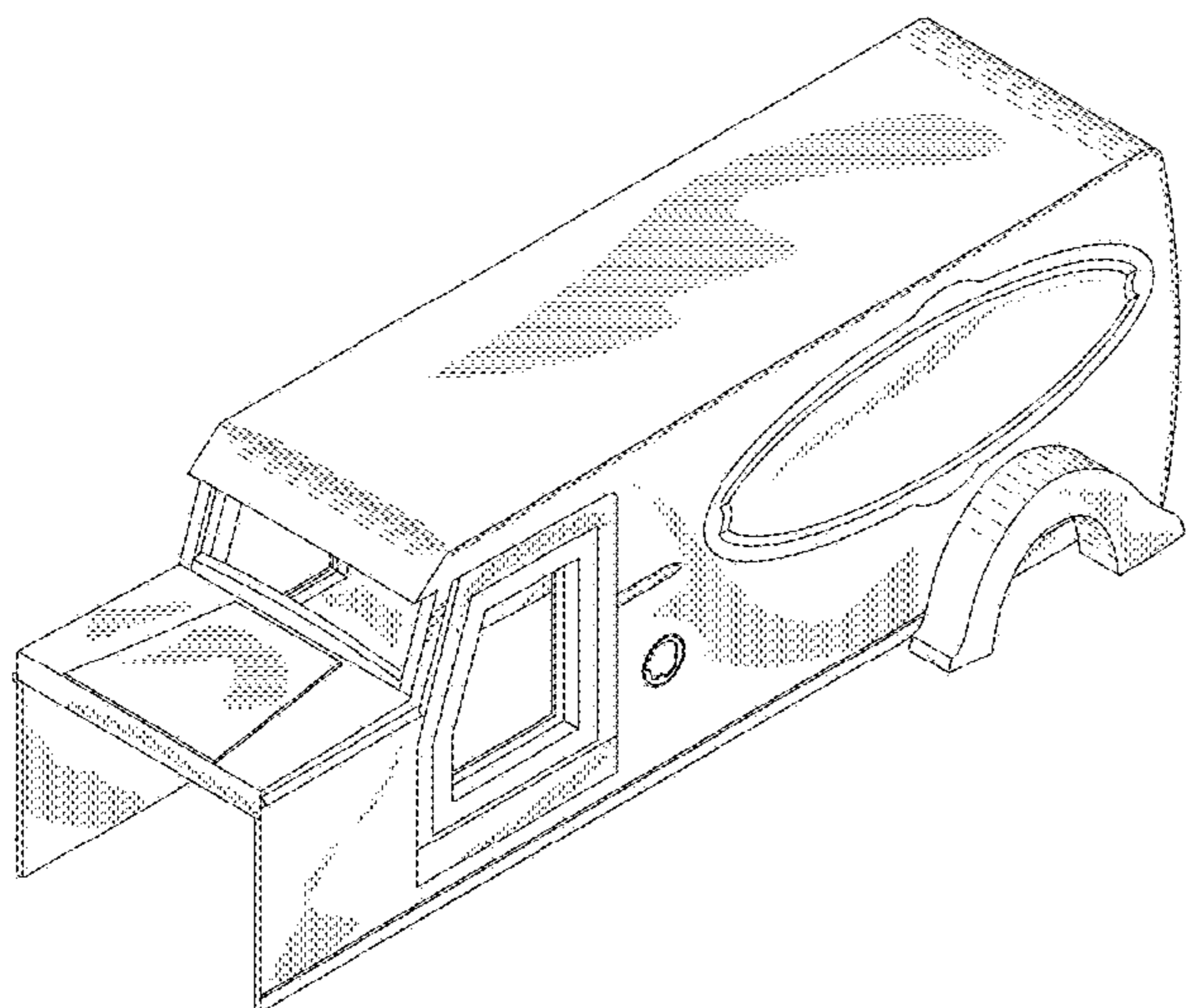
(57) **CLAIM**

The ornamental design for a “hearse conversion insert for a vehicle chassis,” as shown.

**DESCRIPTION**

FIG. 1 is a left front isometric view showing my new hearse conversion insert for a vehicle chassis;  
FIG. 2 is a right front isometric view thereof;  
FIG. 3 is a right rear isometric view thereof;  
FIG. 4 is a left rear isometric view thereof;  
FIG. 5 is a front plan view thereof;  
FIG. 6 is a rear plan view thereof.  
FIG. 7 is a right side elevational view thereof;  
FIG. 8 is a left side elevational view thereof; and,  
FIG. 9 is a top plan view thereof.

**1 Claim, 8 Drawing Sheets**



(56)

References Cited

U.S. PATENT DOCUMENTS

D499,994 S \* 12/2004 Sugimoto ..... D12/186  
 6,854,780 B2 \* 2/2005 Siebert ..... B60N 3/105  
 296/37.8  
 D504,864 S \* 5/2005 Royse ..... D12/414.1  
 7,052,067 B2 \* 5/2006 Walker ..... B60P 3/14  
 296/100.02  
 7,213,855 B2 5/2007 Larson  
 D592,101 S \* 5/2009 Green, Jr. .... D12/12  
 D592,545 S \* 5/2009 Green, Jr. .... D12/12  
 D593,482 S \* 6/2009 Leopold ..... D12/413  
 D610,067 S \* 2/2010 Frankham ..... D12/404  
 D619,077 S \* 7/2010 Frankham ..... D12/404  
 D619,078 S \* 7/2010 Frankham ..... D12/404  
 D631,400 S \* 1/2011 Lindekugel ..... D12/105  
 D636,719 S \* 4/2011 Hinrichs ..... D12/404  
 8,113,564 B2 \* 2/2012 Carnevali ..... B60R 7/04  
 296/24.34  
 D655,702 S \* 3/2012 Saxton ..... D12/422  
 D669,599 S \* 10/2012 Walsh ..... D25/48.3  
 D680,942 S \* 4/2013 Champe ..... D12/405  
 D681,508 S \* 5/2013 Doering ..... D12/12  
 D686,112 S 7/2013 Cruz  
 D686,560 S \* 7/2013 Hamilton ..... D12/317  
 D686,752 S \* 7/2013 Lynch ..... D25/48.3  
 D690,830 S \* 10/2013 Walsh ..... D25/48.3  
 8,668,255 B1 \* 3/2014 Randleman ..... B62D 33/06  
 296/102  
 8,708,397 B2 \* 4/2014 Daylong ..... B60J 5/0473  
 296/10  
 D704,130 S \* 5/2014 Kristensen ..... D12/407  
 8,727,424 B1 \* 5/2014 Nelson ..... B62D 35/001  
 296/180.1  
 D707,608 S \* 6/2014 Smith ..... D12/181  
 8,810,382 B1 \* 8/2014 Laurita ..... B60Q 5/005  
 340/435  
 8,899,059 B2 \* 12/2014 Barnes ..... A61G 3/008  
 362/294  
 D723,450 S \* 3/2015 Holubar ..... D12/401  
 D723,451 S \* 3/2015 Depew, Jr. .... D12/402

D728,450 S \* 5/2015 Yen ..... D12/401  
 D729,691 S \* 5/2015 Baron ..... B60R 21/0428  
 D12/16  
 D730,806 S \* 6/2015 Lim ..... D12/401  
 D742,299 S \* 11/2015 Williams ..... D12/415  
 D742,807 S \* 11/2015 Vissers ..... D12/421  
 D744,378 S \* 12/2015 Bell ..... D12/106  
 D746,217 S \* 12/2015 Gruner ..... D12/413  
 D748,038 S \* 1/2016 Bennett ..... D12/404  
 D752,243 S \* 3/2016 Lynch ..... D25/48.3  
 D754,054 S \* 4/2016 Sethapun ..... D12/345  
 D754,992 S \* 5/2016 Brown ..... D6/675  
 D756,532 S \* 5/2016 Kelley ..... D25/48.3  
 D756,534 S \* 5/2016 Allen ..... D25/48.3  
 D764,846 S \* 8/2016 Reinhart ..... D6/703  
 D765,580 S \* 9/2016 Pumphrey ..... D12/415  
 D766,130 S \* 9/2016 Baron ..... D12/16  
 D766,793 S \* 9/2016 Brzustowicz ..... D12/196  
 D766,810 S \* 9/2016 Haun ..... D12/414.1  
 D769,789 S \* 10/2016 Golden ..... D12/404  
 D769,862 S \* 10/2016 Quilling, II ..... D14/258  
 D771,544 S \* 11/2016 Christofferson ..... D12/414.1  
 D772,185 S \* 11/2016 Moninski ..... D13/184  
 9,497,954 B1 \* 11/2016 Veasey, III ..... A01M 13/003  
 9,499,106 B2 \* 11/2016 Reed, III ..... B60R 11/06  
 D774,563 S \* 12/2016 Edwards ..... D15/28  
 D774,953 S \* 12/2016 Grech ..... D12/96  
 D775,373 S \* 12/2016 Veerasawmy ..... D25/124  
 D775,942 S \* 1/2017 Chapman ..... D8/330  
 D776,776 S \* 1/2017 Le ..... D21/834  
 2006/0163896 A1 7/2006 Sinclair  
 2009/0174205 A1 7/2009 Kim  
 2015/0043231 A1 \* 2/2015 Clark ..... G09F 21/048  
 362/485

OTHER PUBLICATIONS

Corvair-95 Professional Car Conversion, image post date 1962, site visited Feb. 5, 2017, (online), <<https://www.corvair.org/chapters/corvanatics/conversion.php>>.\*

\* cited by examiner

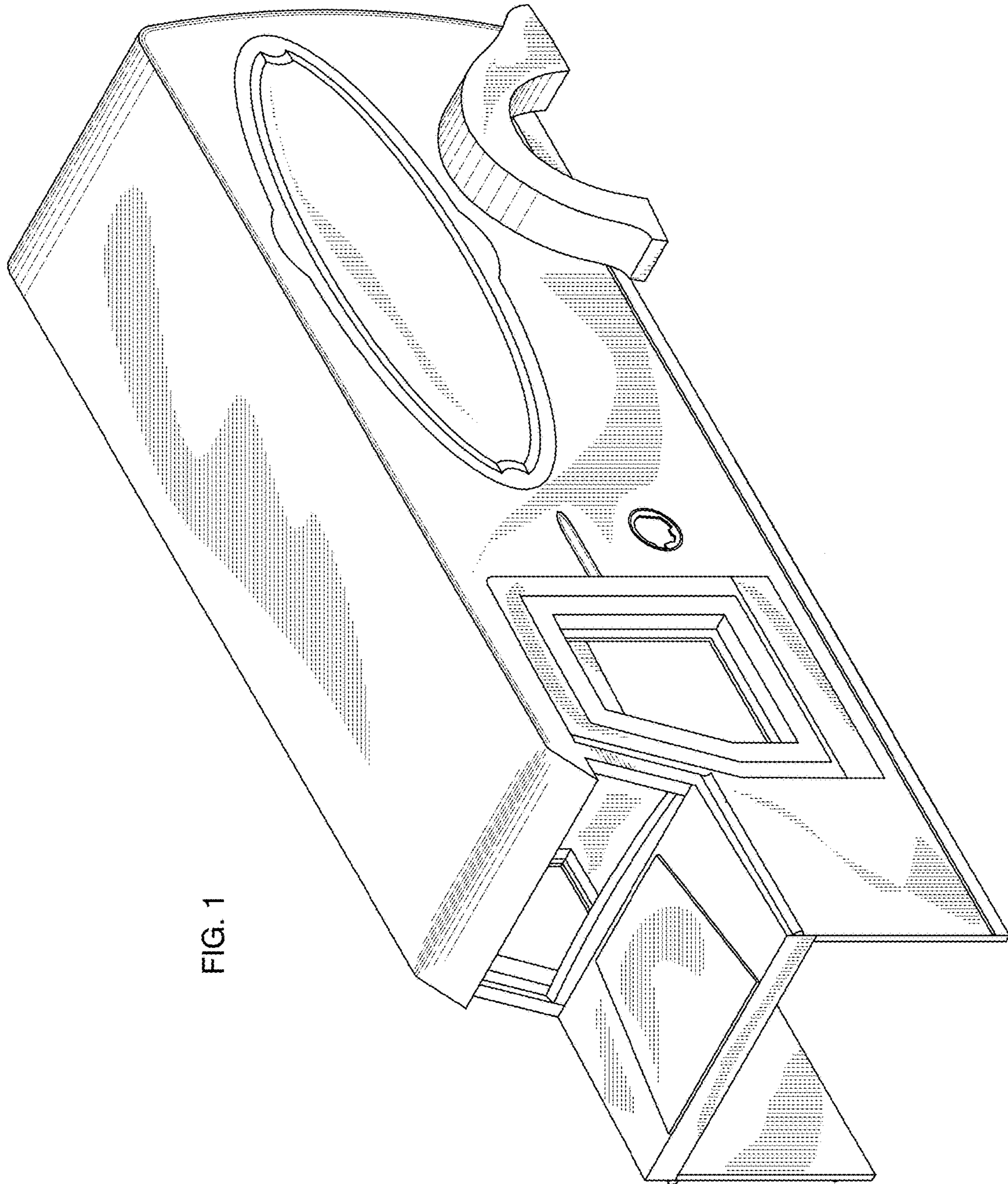
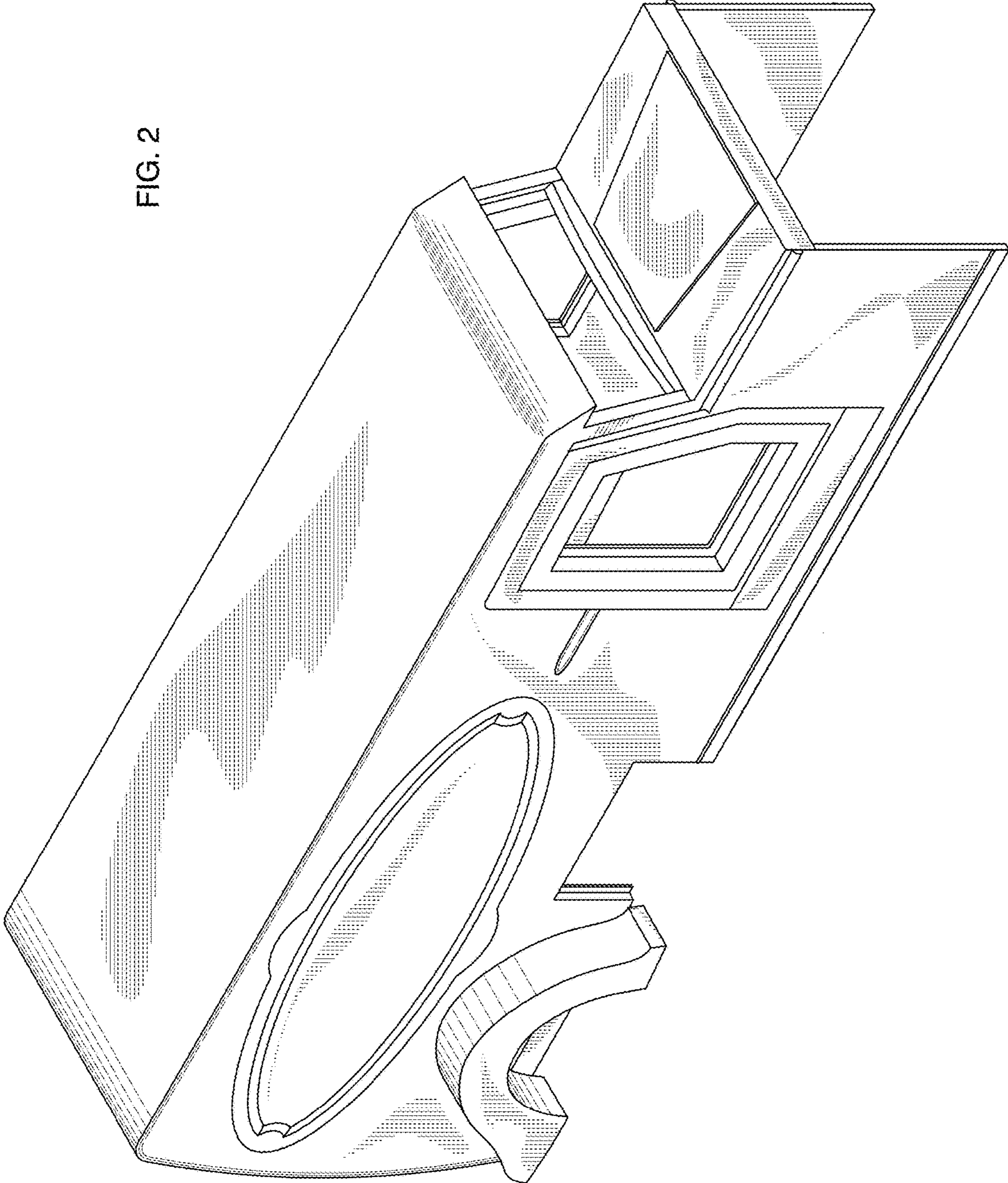


FIG. 1

FIG. 2



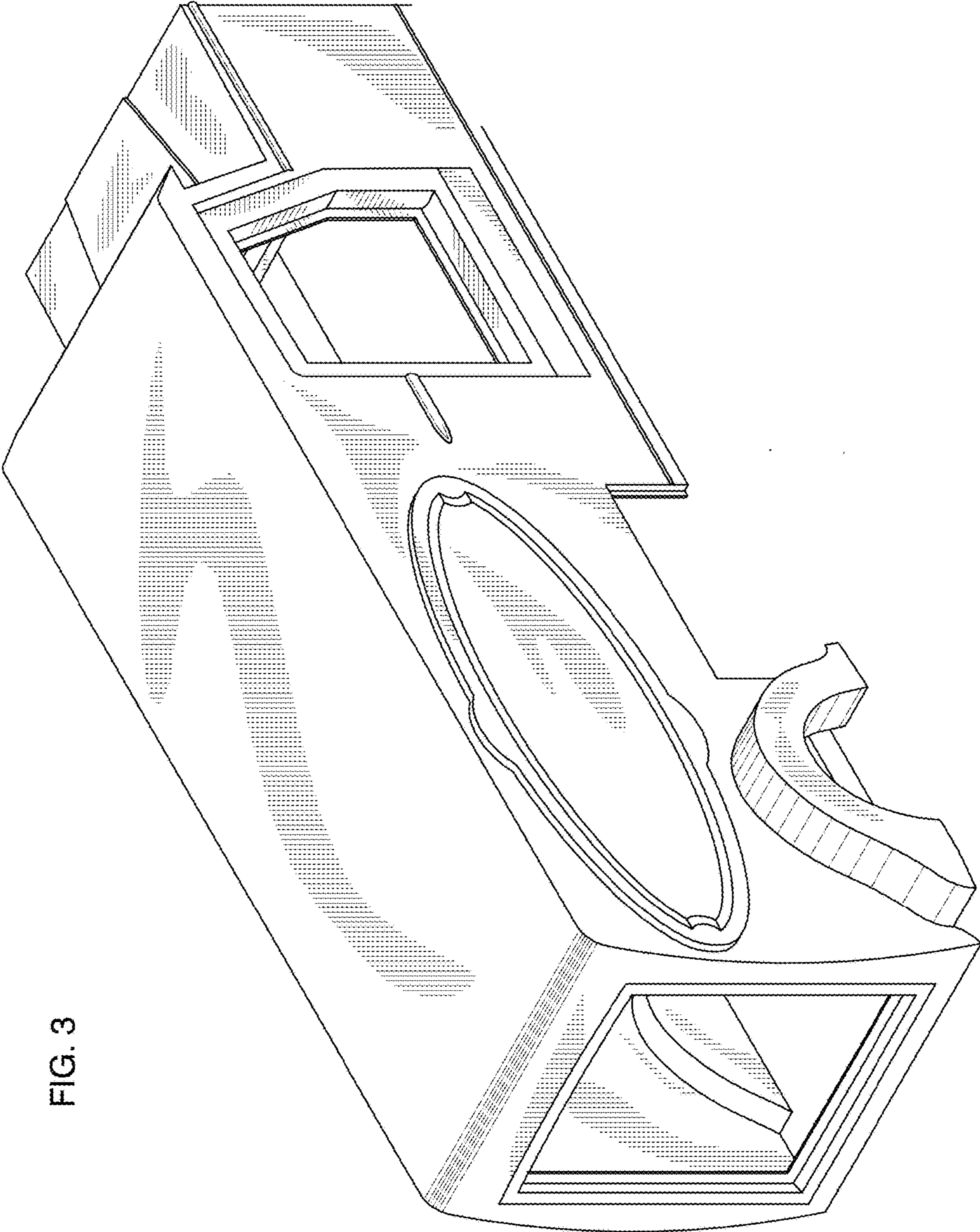


FIG. 3

FIG. 4

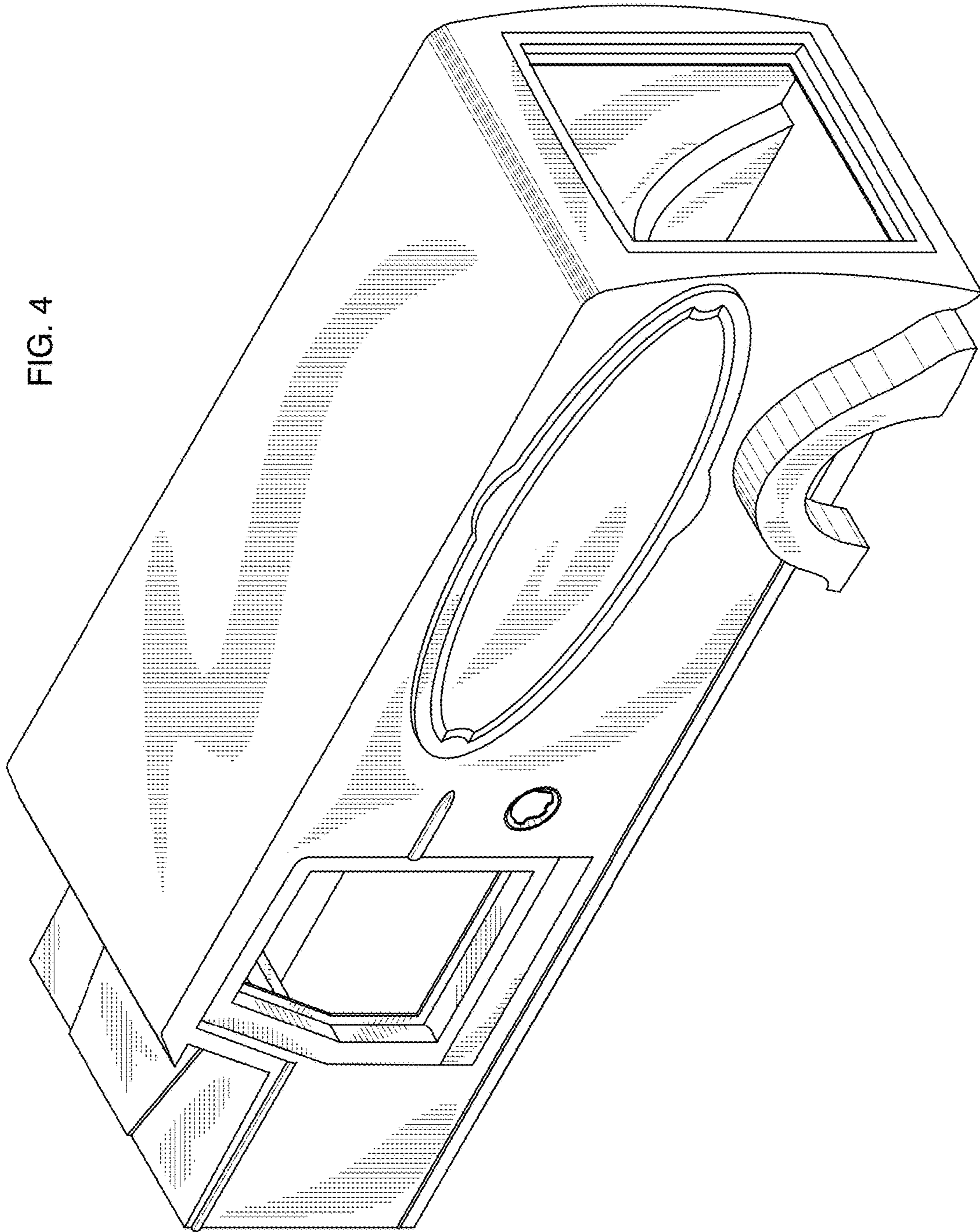


FIG. 5

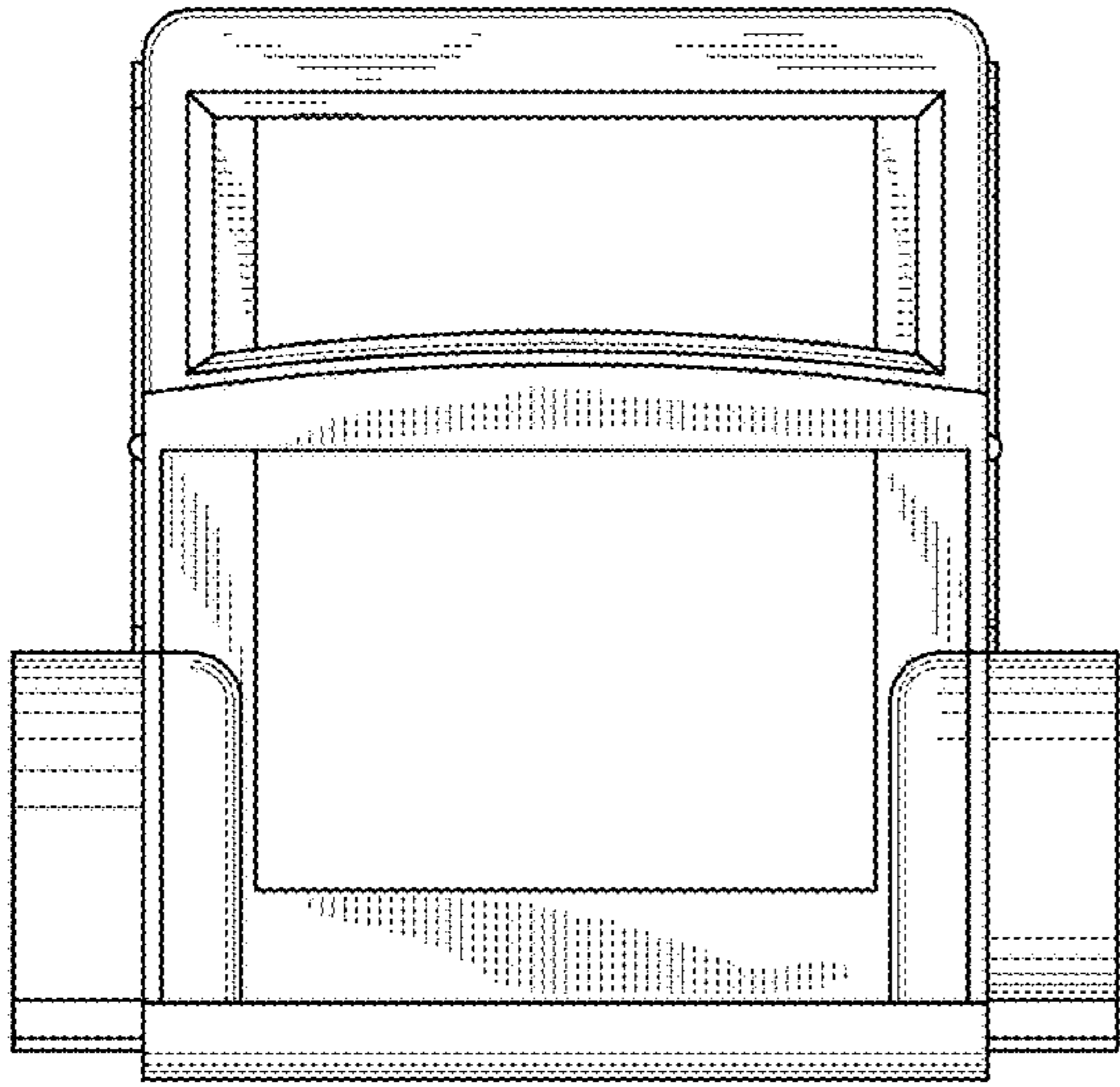


FIG. 6

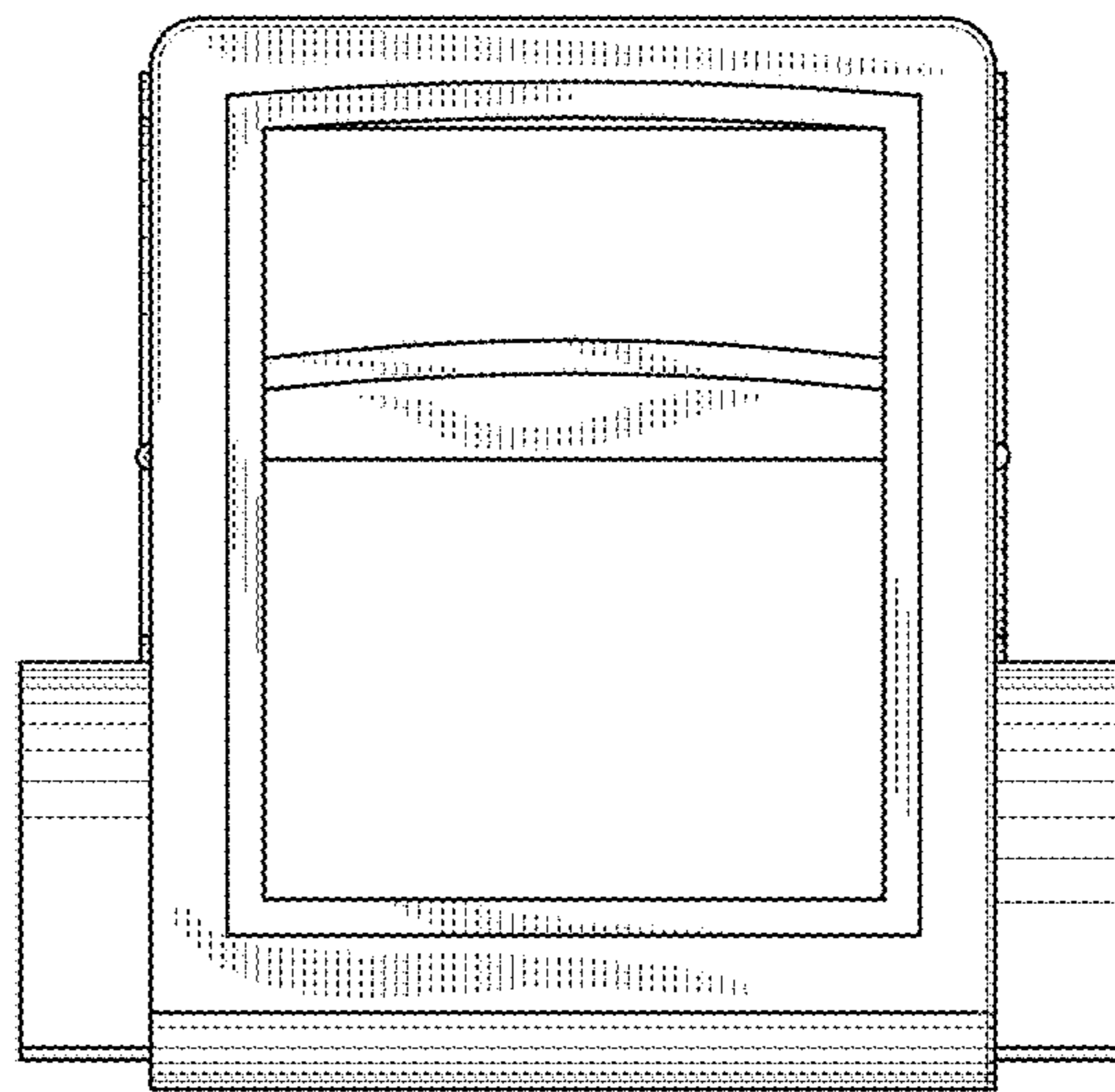


FIG. 7

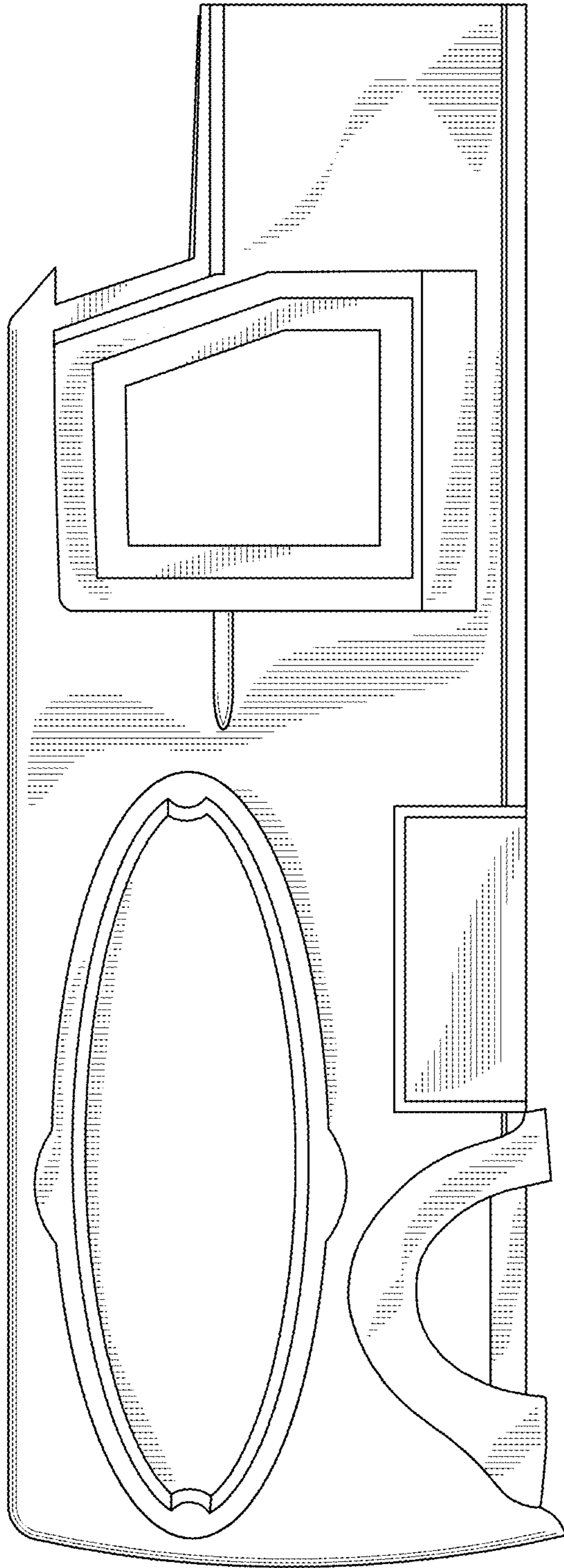




FIG. 8

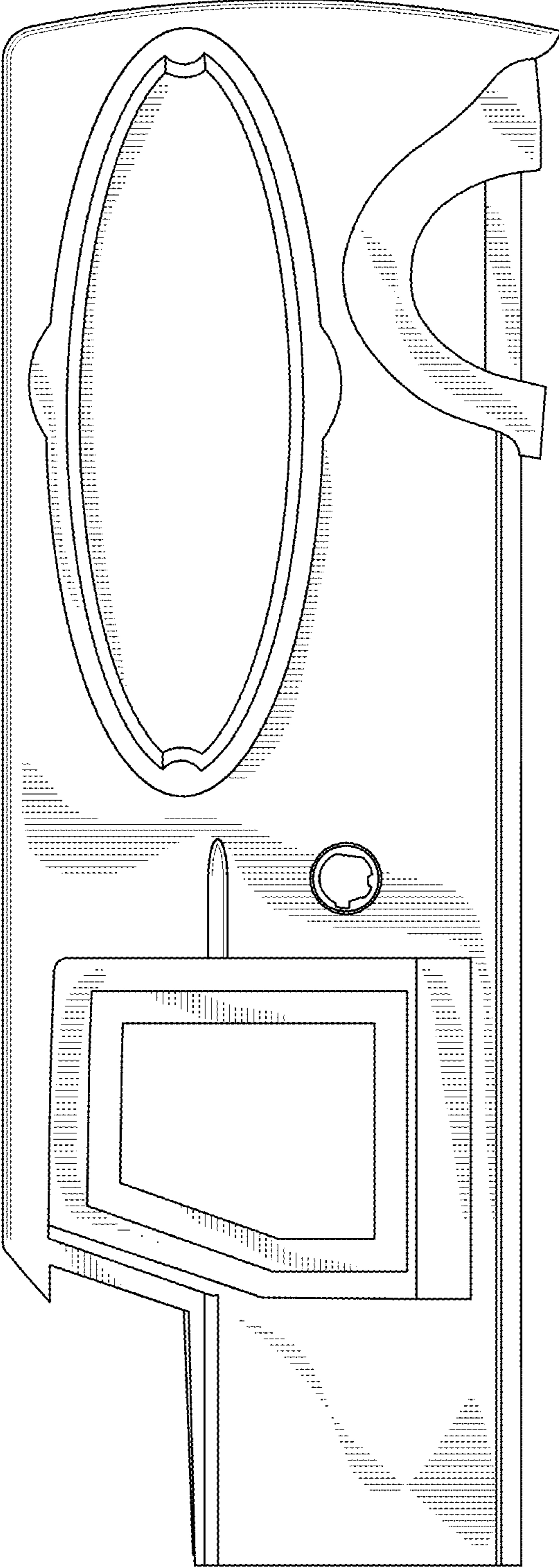


FIG. 9

