

US00D783502S

(12) **United States Design Patent** (10) **Patent No.:** **US D783,502 S**
Hensley (45) **Date of Patent:** **** Apr. 11, 2017**

- (54) **VEHICLE ROLL CAGE STRUCTURE**
- (71) Applicant: **Hendrick Motorsports Performance Group, LLC**, Charlotte, NC (US)
- (72) Inventor: **Ryan Lee Hensley**, Huntersville, NC (US)
- (73) Assignee: **Hendrick Motorsports Performance Group, LLC**, Charlotte, NC (US)
- (**) Term: **15 Years**
- (21) Appl. No.: **29/555,381**
- (22) Filed: **Feb. 22, 2016**

- D439,548 S 3/2001 Kouchi et al.
- 6,517,111 B2 2/2003 Mizuta
- D513,223 S * 12/2005 Saito D12/14
- 7,140,670 B2 11/2006 Olson
- 7,249,798 B2 7/2007 Saito et al.
- 7,510,199 B2 3/2009 Nash et al.
- 7,578,523 B2 8/2009 Kosuge et al.
- D605,555 S 12/2009 Tanaka et al.
- D606,900 S 12/2009 Flores
- D621,328 S 8/2010 Sistare et al.
- 7,828,364 B2 11/2010 Causey
- 7,938,481 B2 5/2011 Kobayashi et al.
- 7,950,486 B2 5/2011 Van Bronkhorst et al.
- 8,002,331 B2 8/2011 Bowers
- D654,844 S * 2/2012 Pinto D12/222
- D655,236 S 3/2012 Sanschagrin
- D655,668 S * 3/2012 Levorato D12/222
- 8,196,696 B2 6/2012 Karube et al.
- 8,205,910 B2 6/2012 Leonard et al.

(Continued)

Related U.S. Application Data

- (62) Division of application No. 29/497,412, filed on Jul. 24, 2014, now Pat. No. Des. 761,713.
- (51) **LOC (10) Cl.** **12-06**
- (52) **U.S. Cl.**
USPC **D12/222**
- (58) **Field of Classification Search**
USPC D12/222, 223, 400, 401, 404, 406, 412,
D12/414, 86, 93, 101; D6/552
CPC B60R 27/00; B60J 1/06
See application file for complete search history.

Primary Examiner — Katrina A Betton

(74) *Attorney, Agent, or Firm* — Nelson Mullins Riley & Scarborough LLP

(57) **CLAIM**

The ornamental design for a vehicle roll cage structure, as shown.

DESCRIPTION

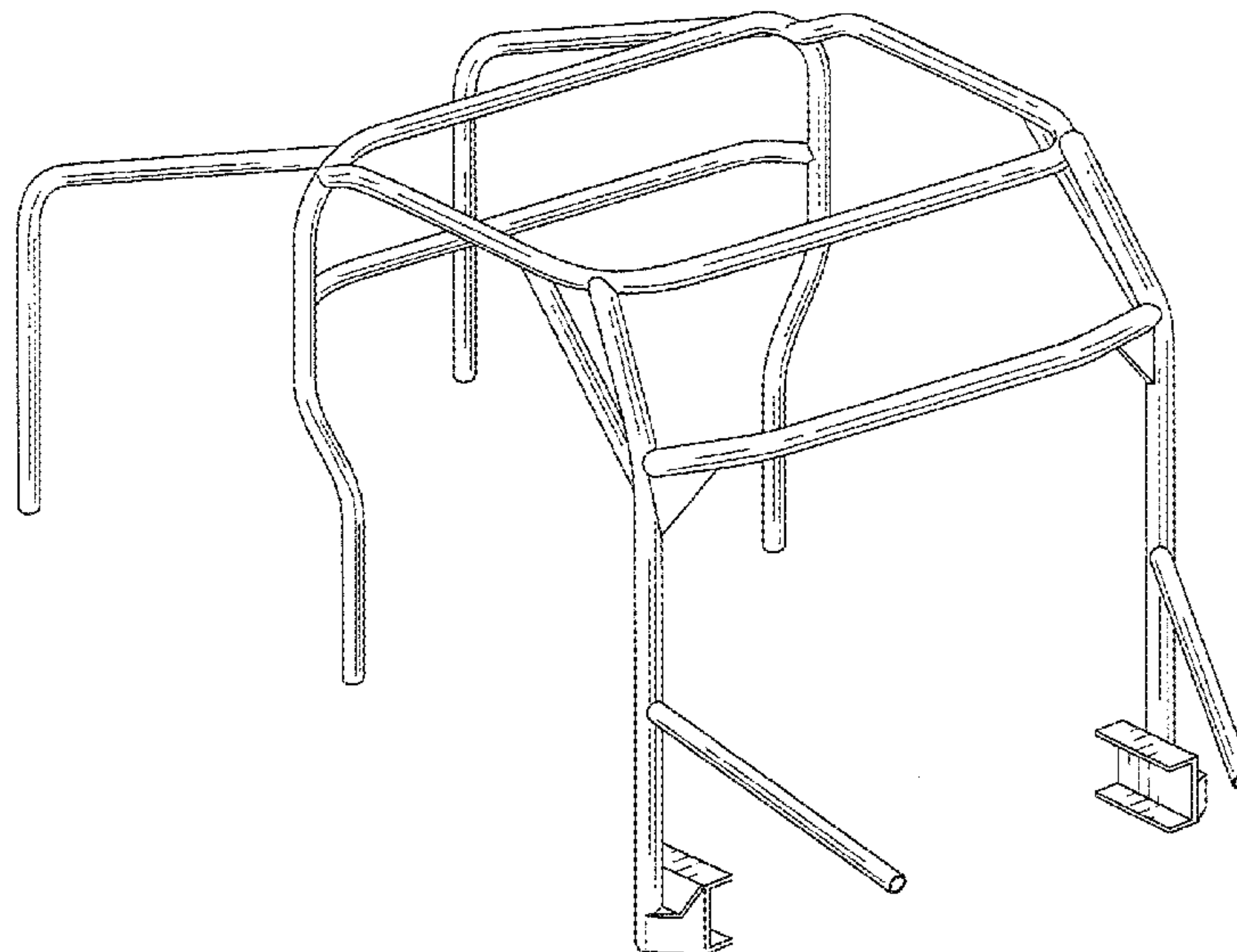
FIG. 1 is a front perspective view of a vehicle roll cage structure, showing a second embodiment of my new design; FIG. 2 is a rear perspective view thereof; FIG. 3 is a front elevational view thereof; FIG. 4 is a rear elevational view thereof; FIG. 5 is a right side elevational view thereof; FIG. 6 is a left side elevational view thereof; FIG. 7 is a top plan view thereof; and, FIG. 8 is a bottom plan view thereof.

1 Claim, 8 Drawing Sheets

(56) **References Cited**

U.S. PATENT DOCUMENTS

- RE28,876 E 6/1976 Notestine et al.
- 4,148,504 A 4/1979 Rushing
- D257,673 S 12/1980 Milton
- D262,790 S 1/1982 Bernier
- D332,239 S 1/1993 Hirata et al.
- D399,476 S 10/1998 Duncan
- 6,189,962 B1 2/2001 Henderson



(56)

References Cited

U.S. PATENT DOCUMENTS

8,292,352	B2	10/2012	Furman et al.	
D681,542	S	5/2013	Oliver	
D758,281	S *	6/2016	Galloway	D12/222
D761,713	S *	7/2016	Hensley	D12/222
D766,157	S *	9/2016	Reynolds	D12/222
2008/0238065	A1 *	10/2008	Hart	B60R 21/13 280/756
2010/0314191	A1	12/2010	Deckard et al.	
2012/0056411	A1	3/2012	Nakamura et al.	
2012/0193163	A1	8/2012	Wimpfheimer et al.	
2012/0217078	A1	8/2012	Kinsman et al.	

* cited by examiner

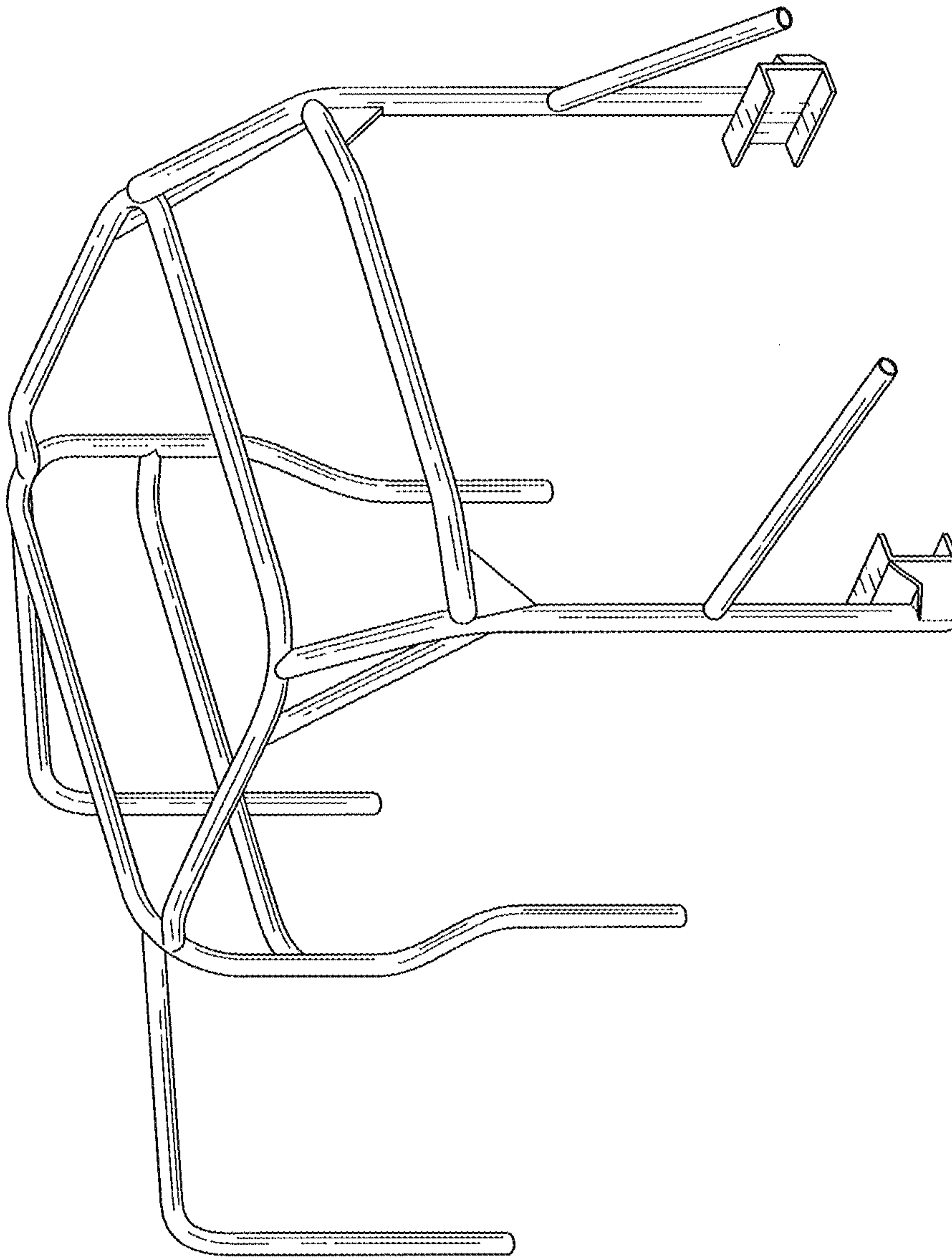


FIG. 1

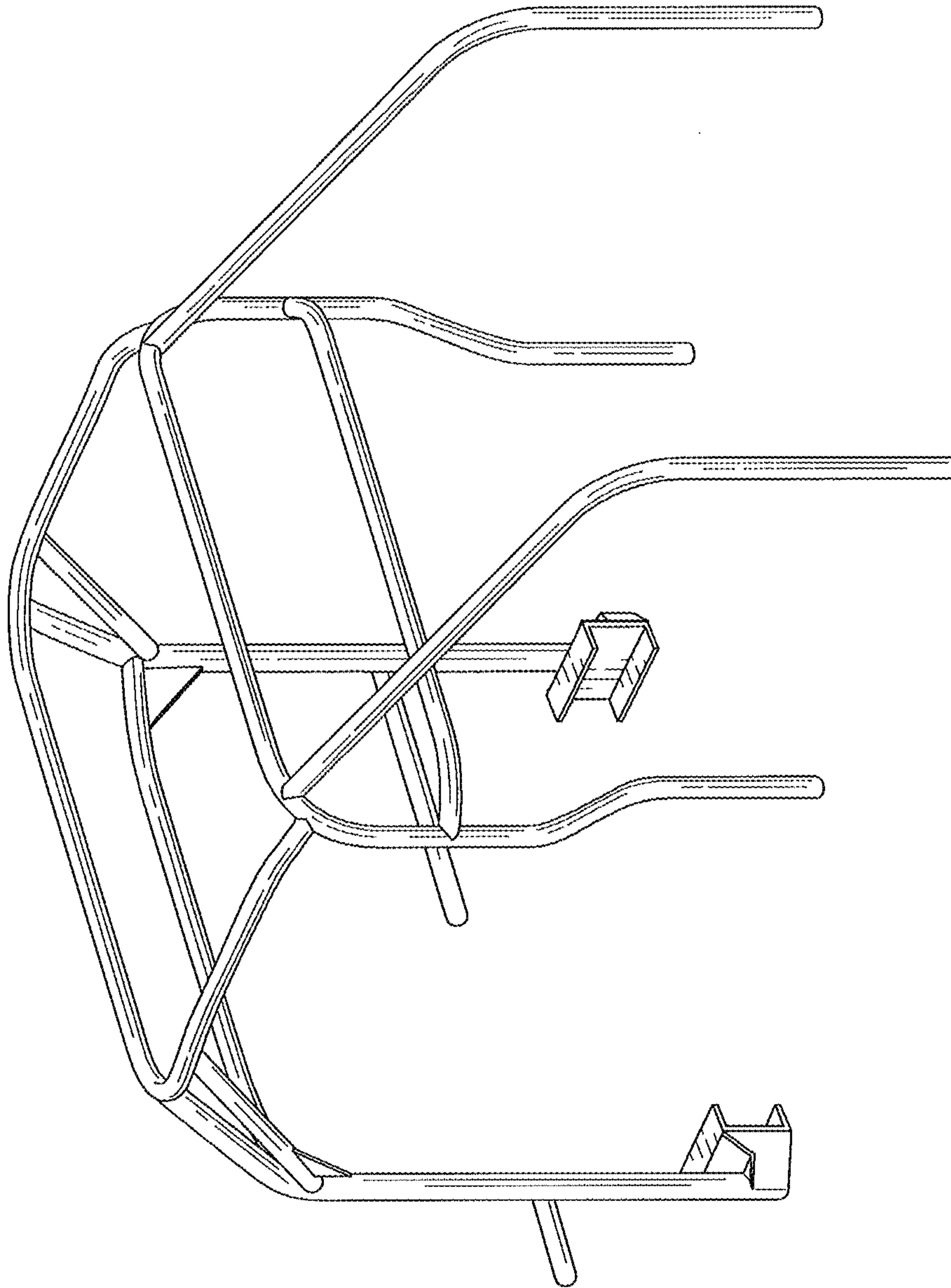


FIG. 2

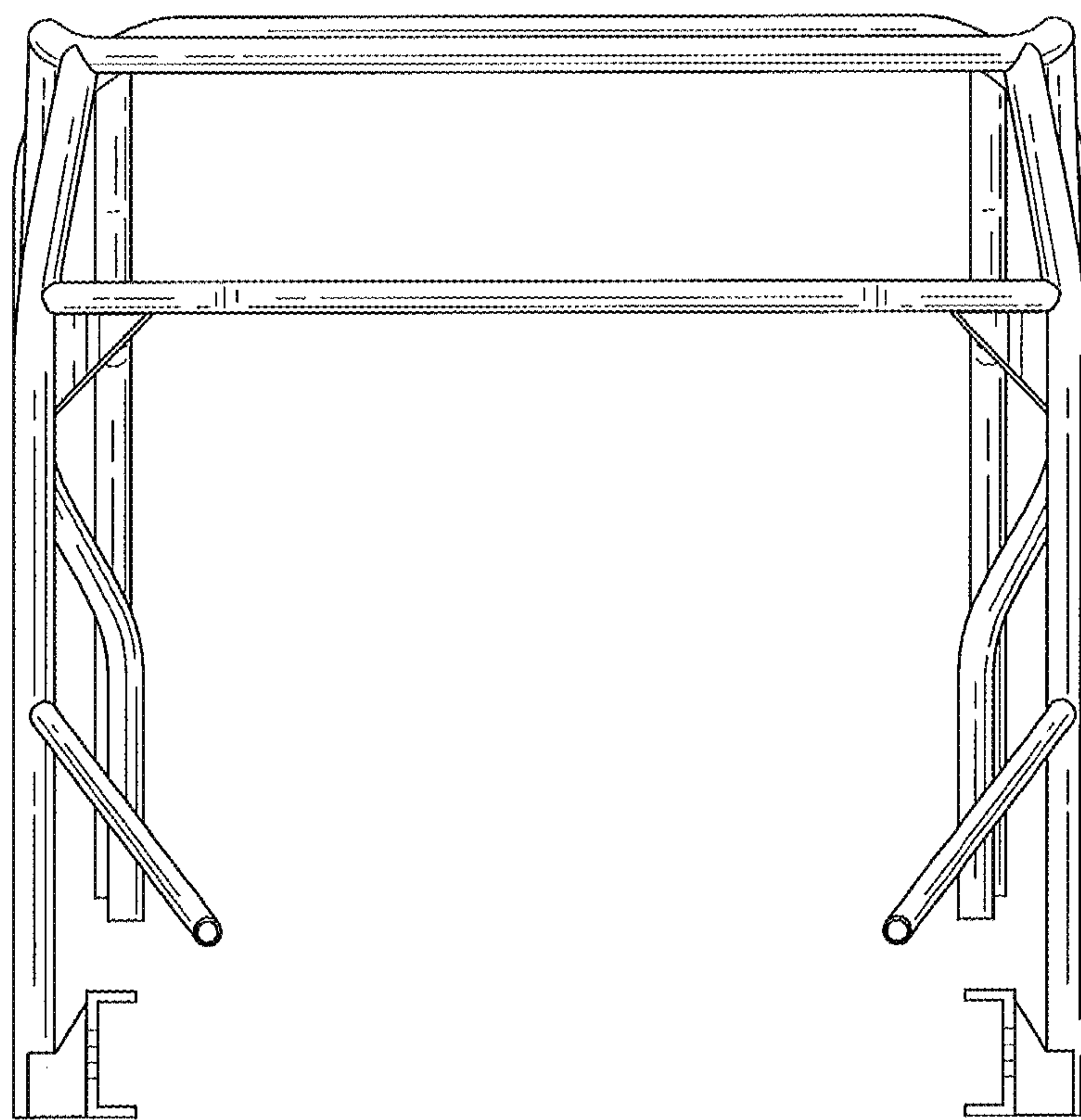


FIG. 3

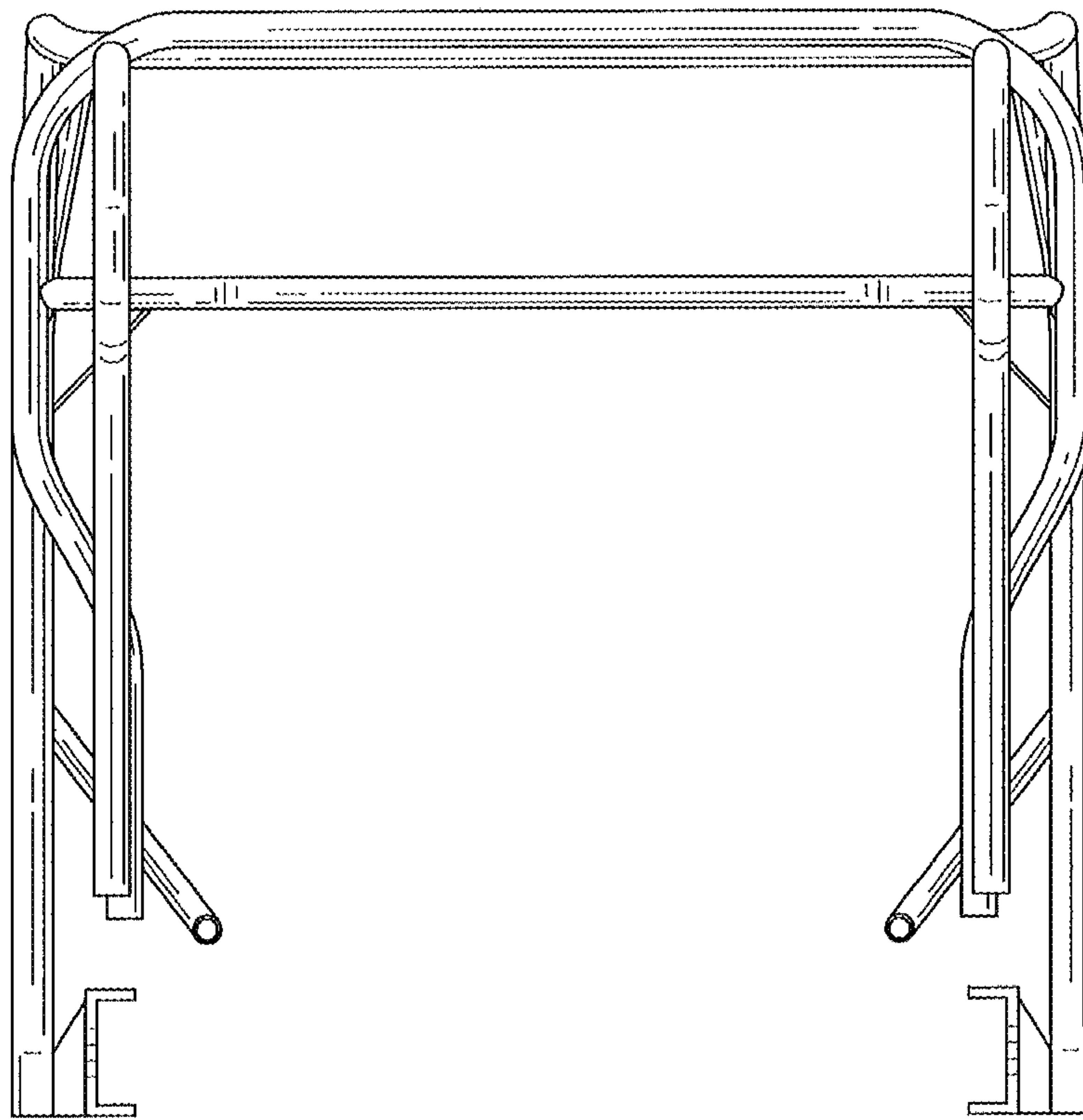
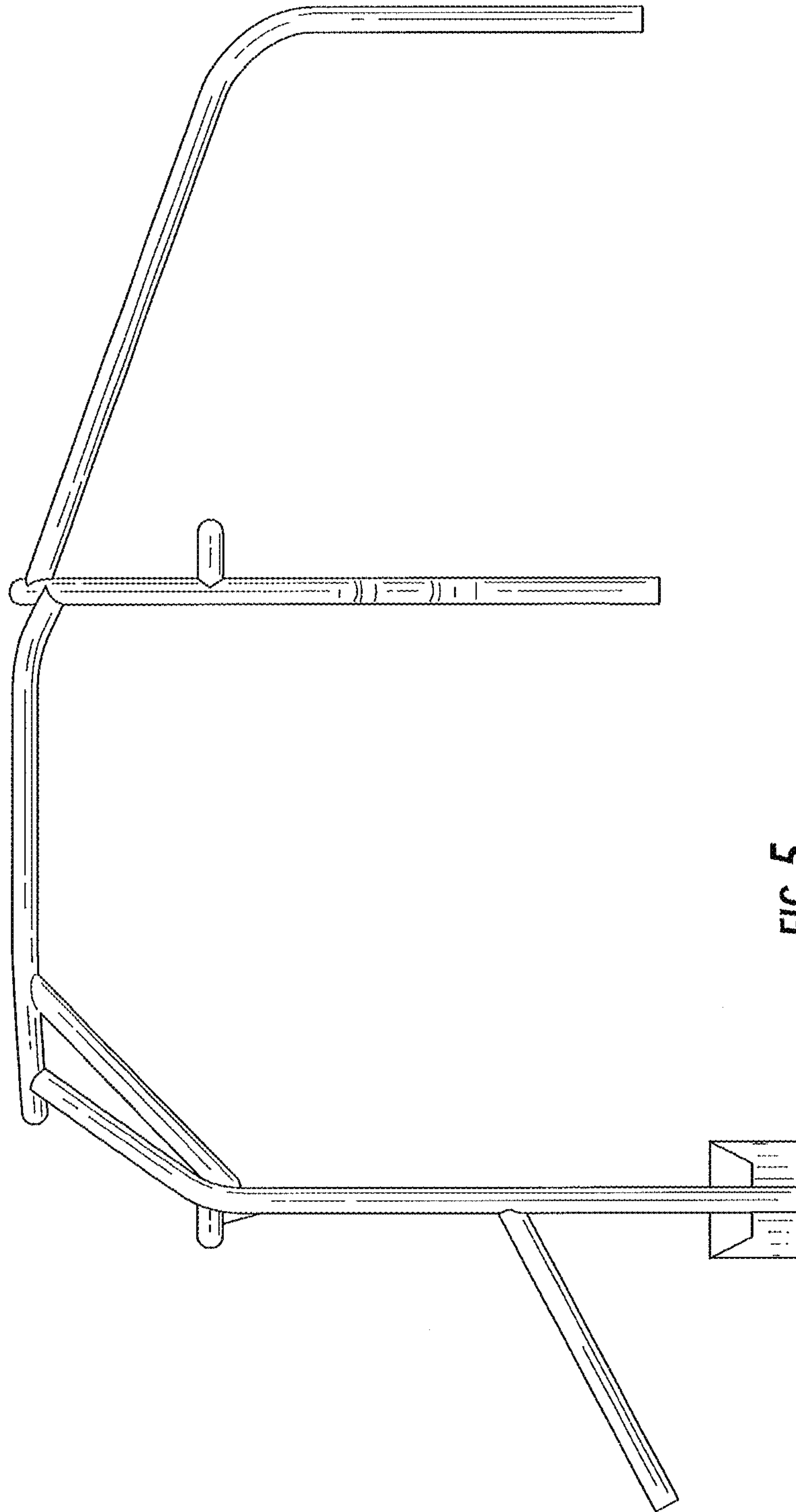


FIG. 4



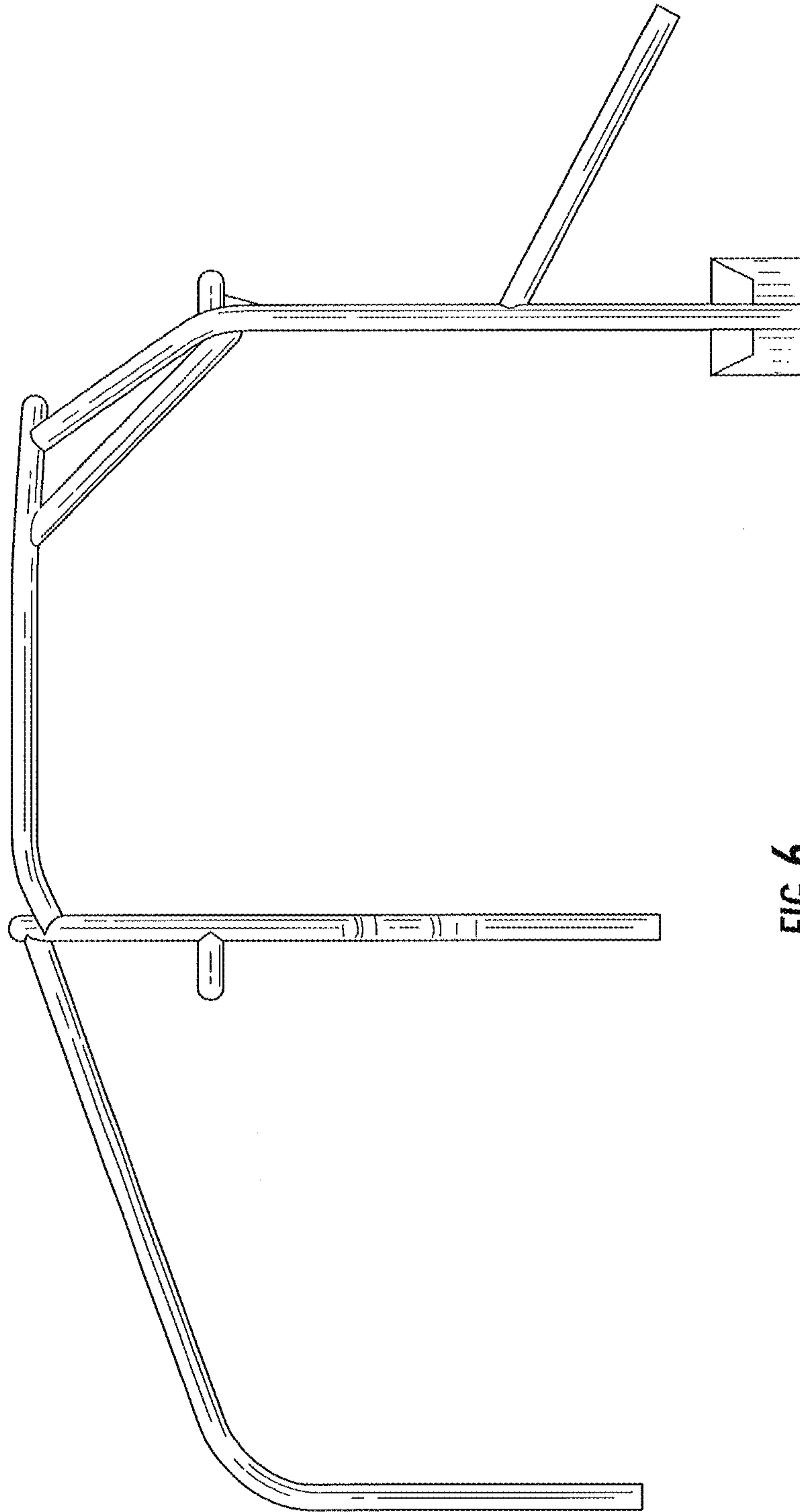


FIG. 6

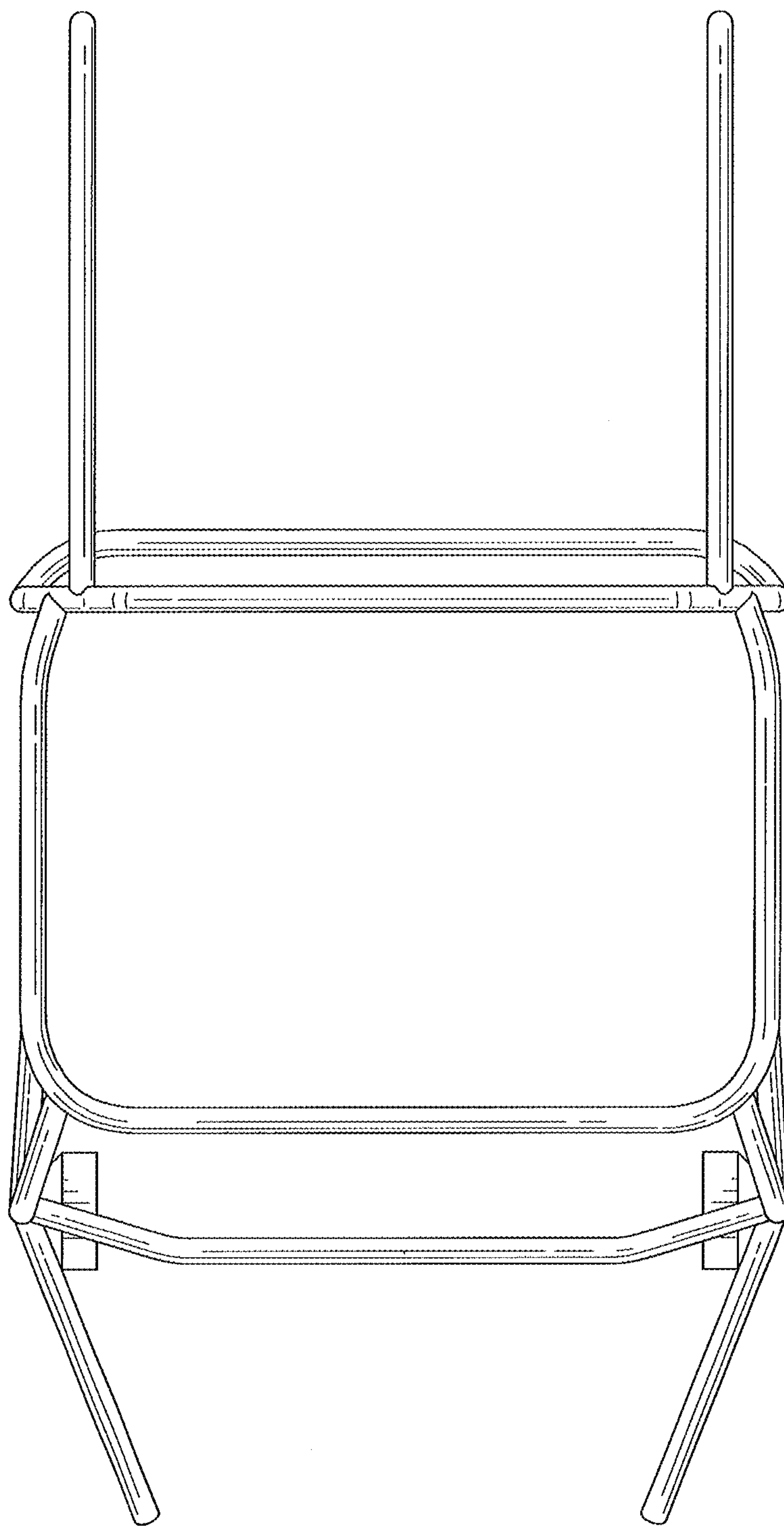


FIG. 7

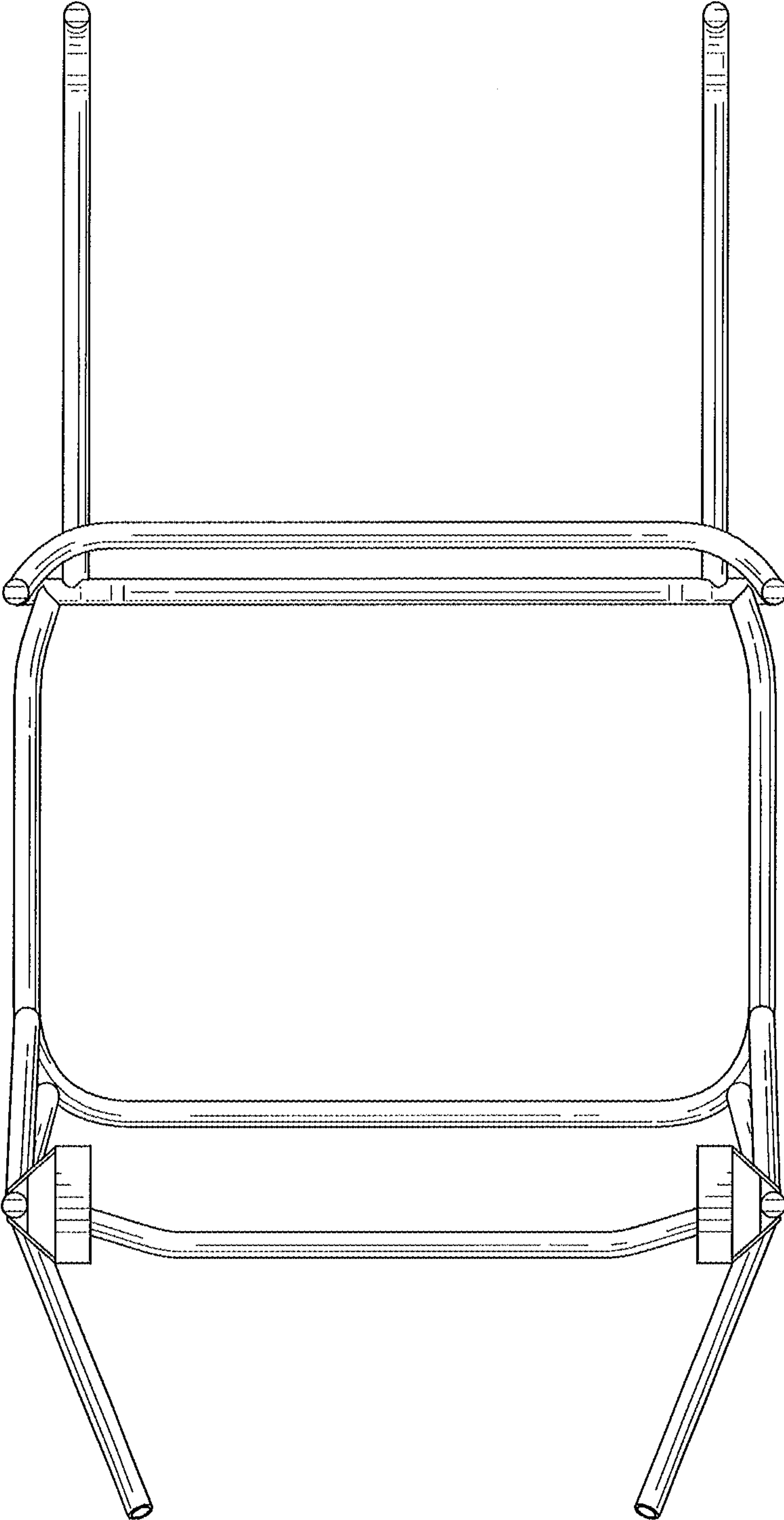


FIG. 8