



US00D783500S

(12) **United States Design Patent**  
**Hubers et al.**

(10) **Patent No.:** **US D783,500 S**

(45) **Date of Patent:** **\*\* Apr. 11, 2017**

(54) **AUTOMOBILE WHEEL**

(71) Applicants: **Adam Hubers**, Royal Oak, MI (US);  
**Nicholas Vardis**, Sylvan Lake, MI  
(US); **Mark C Trostle**, Rochester, MI  
(US)

(72) Inventors: **Adam Hubers**, Royal Oak, MI (US);  
**Nicholas Vardis**, Sylvan Lake, MI  
(US); **Mark C Trostle**, Rochester, MI  
(US)

(73) Assignee: **FCA US LLC**, Auburn Hills, MI (US)

(\*\*) Term: **15 Years**

(21) Appl. No.: **29/557,455**

(22) Filed: **Mar. 9, 2016**

(51) **LOC (10) Cl.** ..... **12-16**

(52) **U.S. Cl.**  
USPC ..... **D12/211**

(58) **Field of Classification Search**  
USPC ..... D12/204–213  
CPC .... B60B 7/00; B60B 7/02; B60B 7/04; B60B  
7/01; B60B 7/06; B60B 3/02; B60B 3/04;  
B60B 3/06; B60B 3/10; B60B 1/00;  
B60B 1/08; B60B 1/10; B60B 1/12  
See application file for complete search history.

(56) **References Cited**

**U.S. PATENT DOCUMENTS**

D367,635 S \* 3/1996 Odette ..... D12/209  
D392,237 S \* 3/1998 Kelley ..... D12/209  
D399,470 S \* 10/1998 Sacco ..... D12/209

D403,645 S \* 1/1999 Chung ..... D12/209  
D425,472 S \* 5/2000 Donikoglu ..... D12/209  
D428,844 S \* 8/2000 Wang ..... D12/209  
D448,713 S \* 10/2001 Ong ..... D12/209  
D451,876 S \* 12/2001 Kohl ..... D12/211  
D465,758 S \* 11/2002 Plessing ..... D12/211  
D467,856 S \* 12/2002 Pfeiffer ..... D12/209  
D486,110 S \* 2/2004 Elmitt ..... D12/211  
D507,225 S \* 7/2005 Velazco ..... D12/211  
D528,496 S \* 9/2006 Marji ..... D12/211  
D534,114 S \* 12/2006 Holstein ..... D12/211  
D535,934 S \* 1/2007 Scheu ..... D12/211  
D546,266 S \* 7/2007 Young ..... D12/211  
D567,739 S \* 4/2008 Kim ..... D12/211  
D579,847 S \* 11/2008 Hieke ..... D12/211  
D638,762 S \* 5/2011 Hilpert ..... D12/209  
D641,301 S \* 7/2011 Hilpert ..... D12/211  
D664,910 S \* 8/2012 Gallert ..... D12/211  
D757,628 S \* 5/2016 Rolfs ..... D12/211

\* cited by examiner

*Primary Examiner* — Stacia Cadmus

(74) *Attorney, Agent, or Firm* — Ralph E Smith

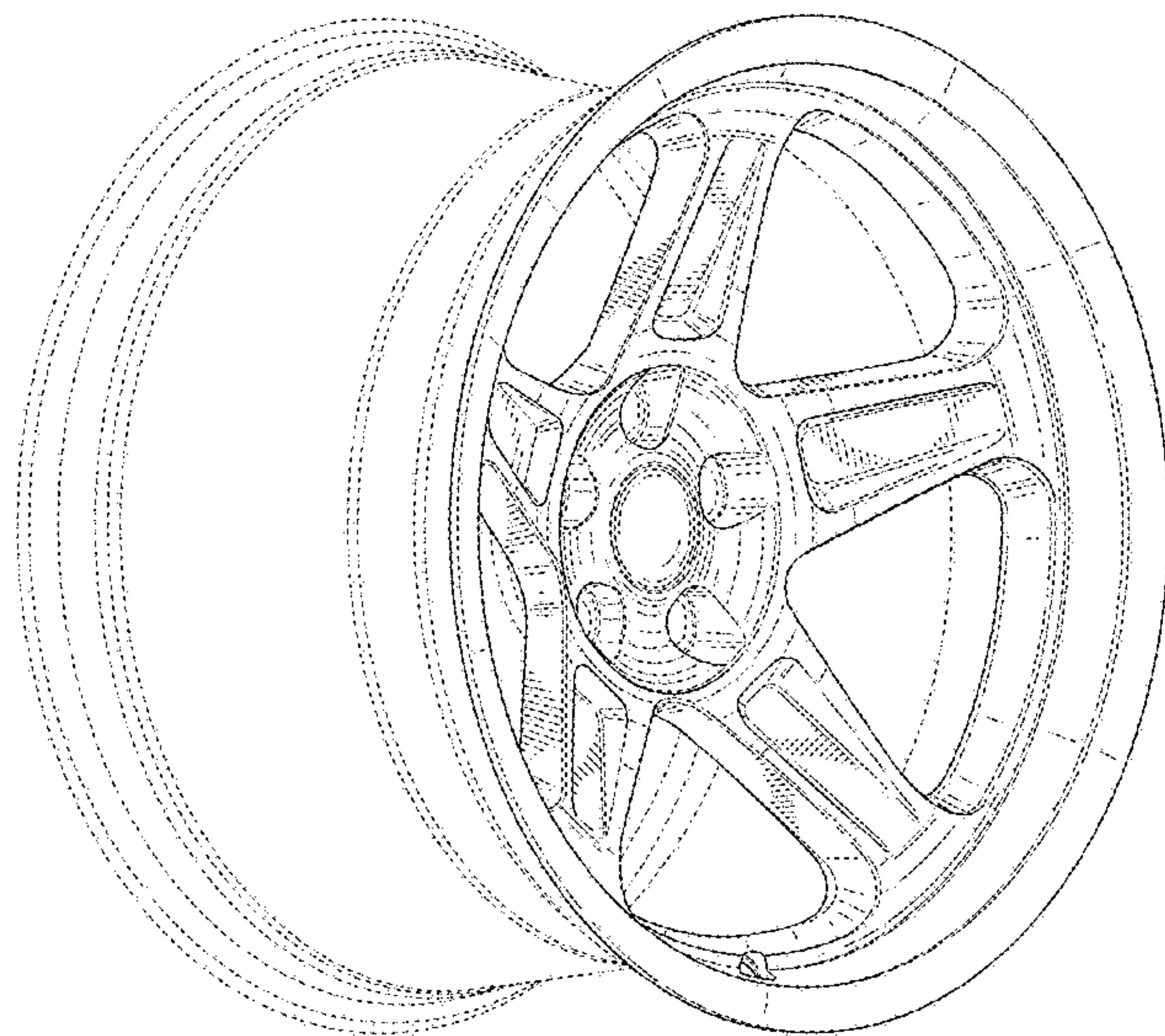
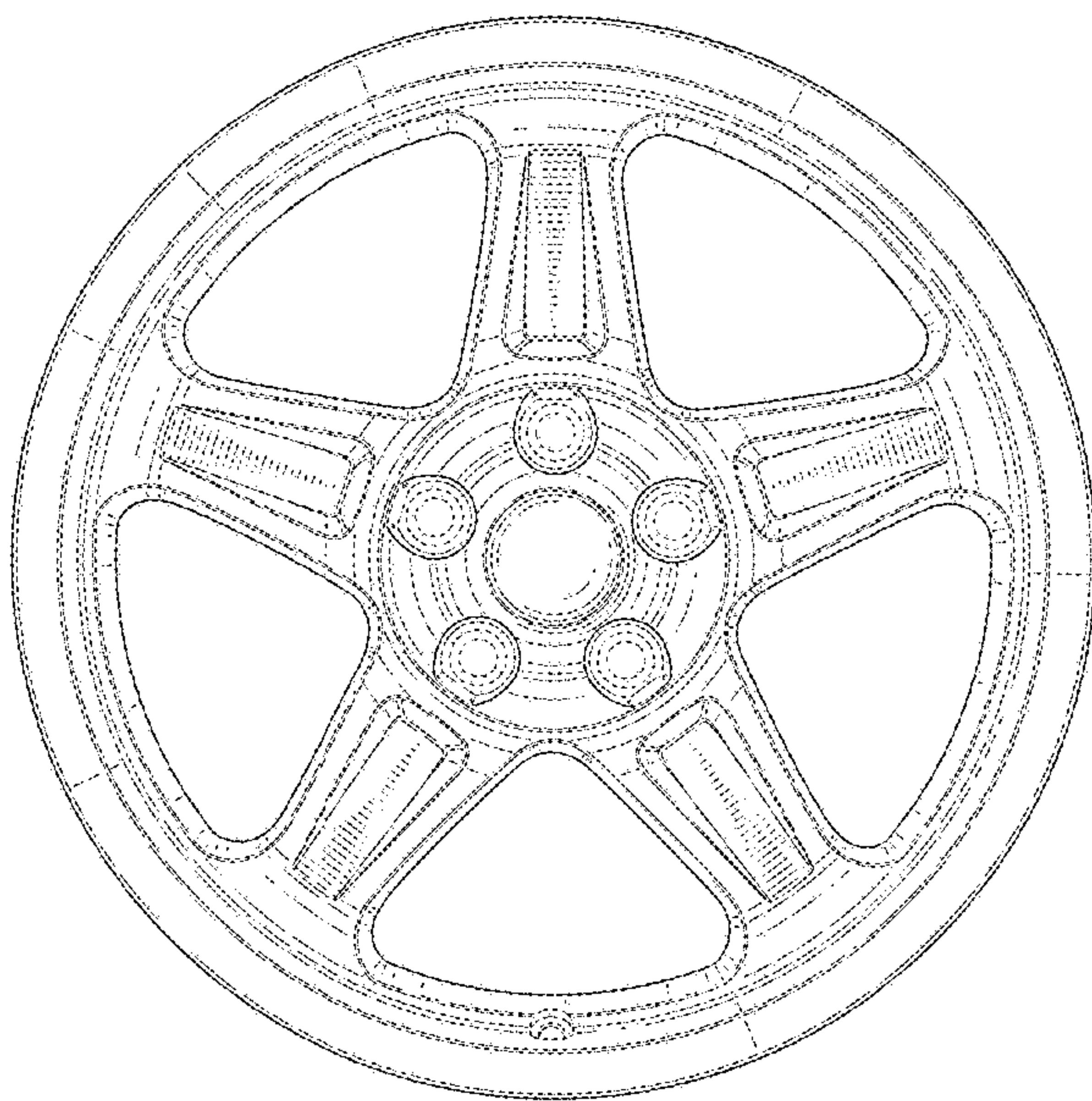
(57) **CLAIM**

The ornamental design for an automobile wheel, as shown and described.

**DESCRIPTION**

FIG. 1 is a front view of an automobile wheel showing our new design;  
FIG. 2 is a left perspective view thereof; and,  
FIG. 3 is a right perspective view.  
It will be understood that the broken lines shown in the drawings illustrate portions of the automobile wheel that form no part of claimed design.

**1 Claim, 3 Drawing Sheets**



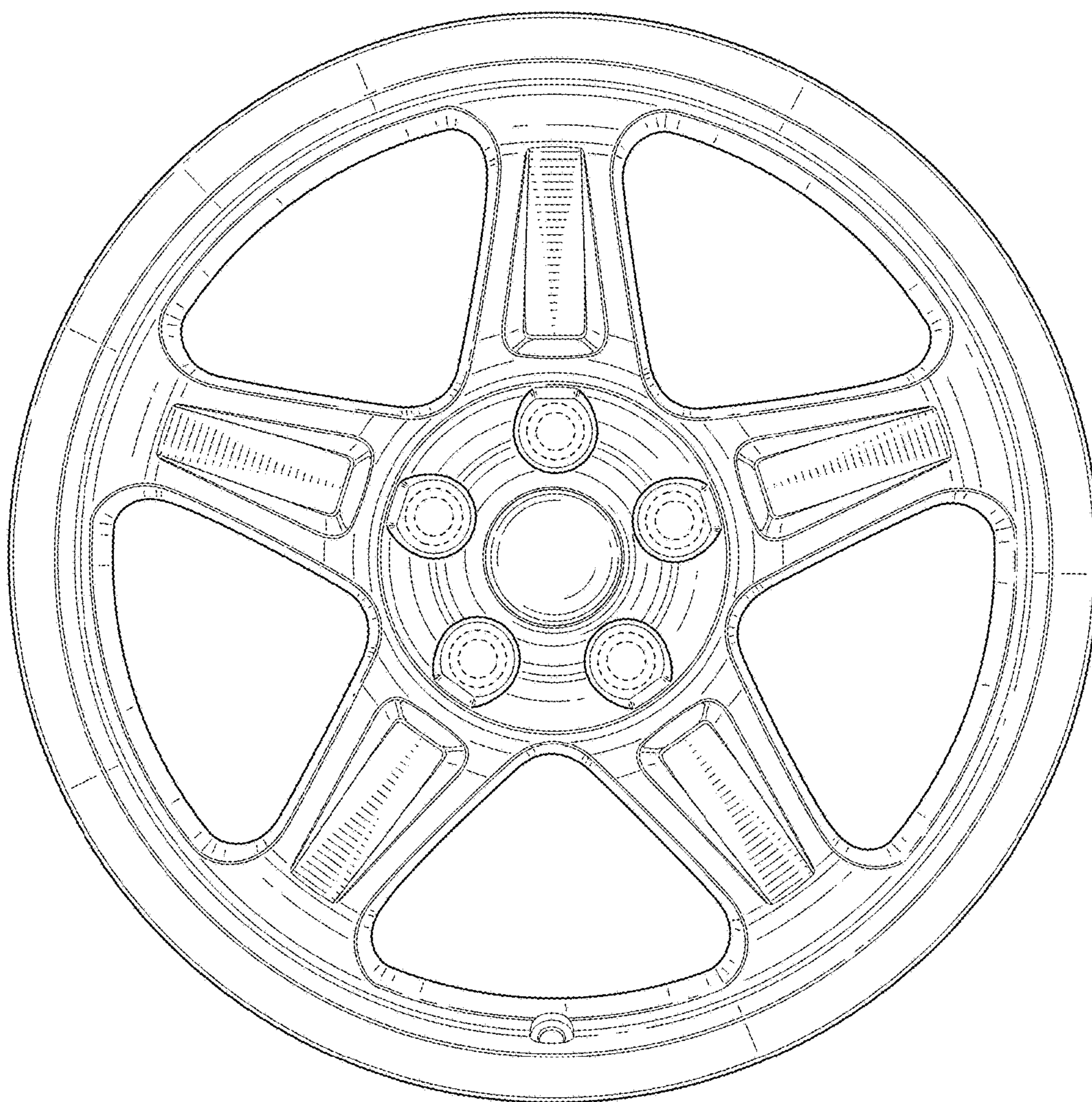


FIG. 1



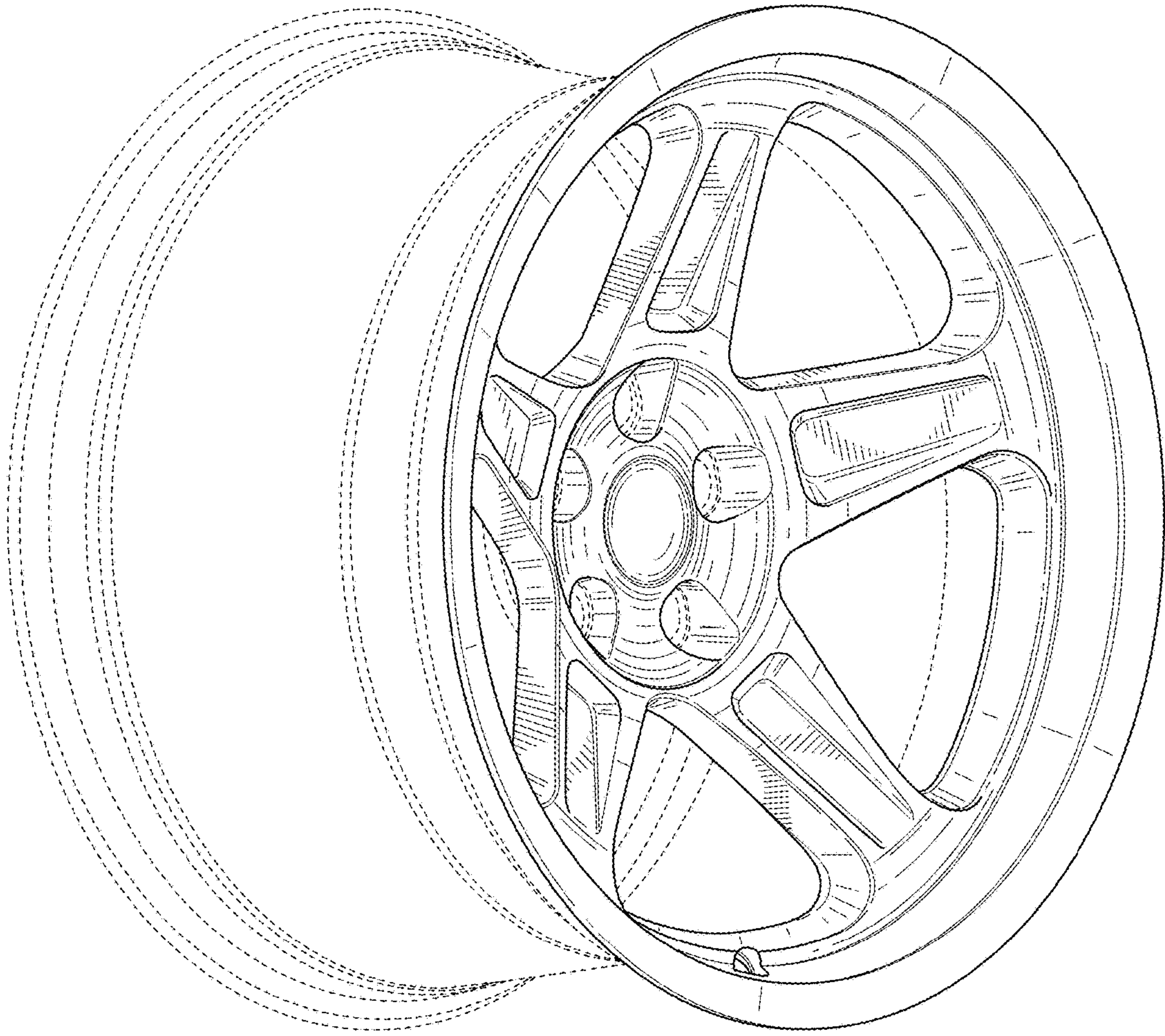


FIG. 2

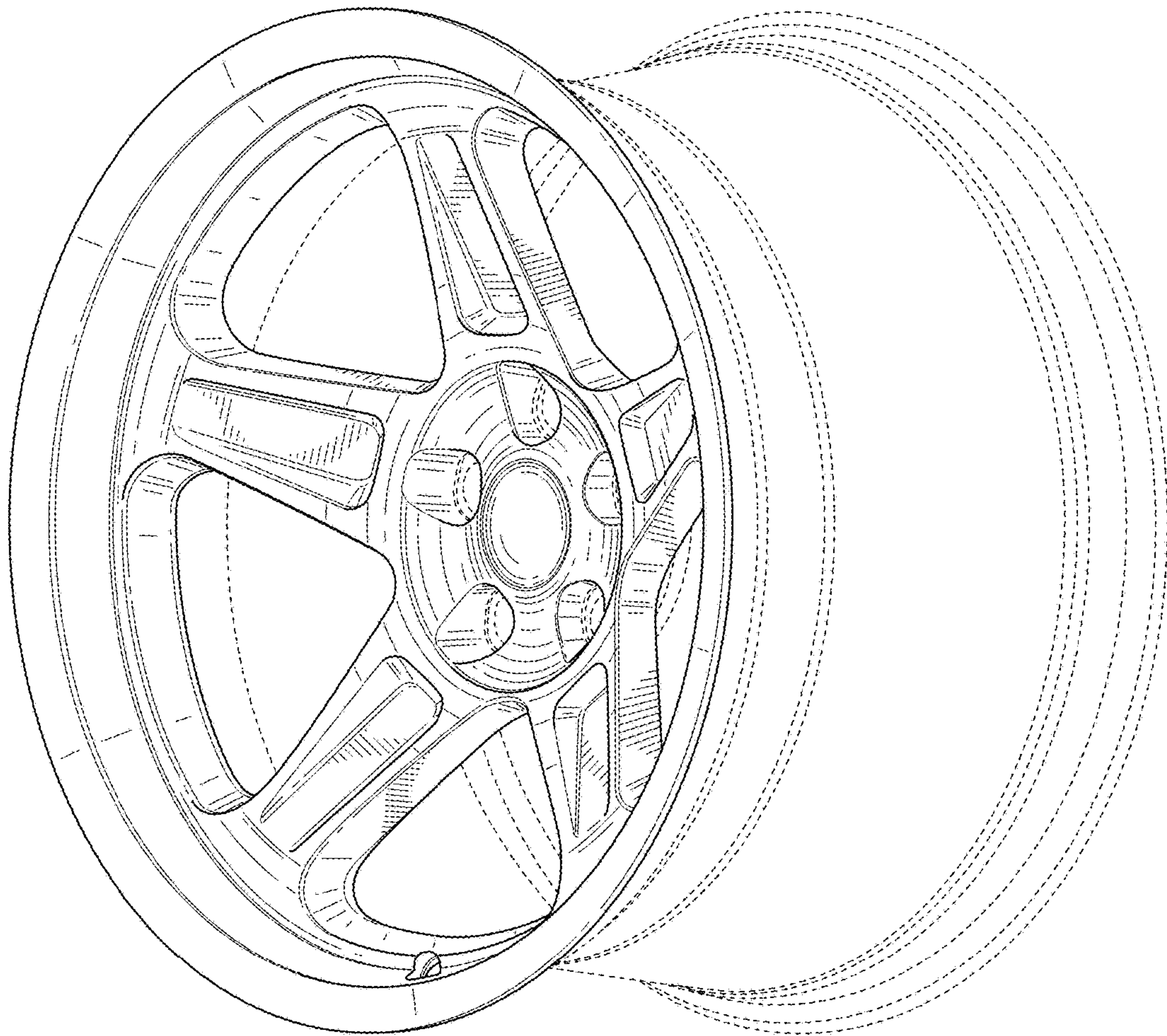


FIG. 3