

US00D783498S

(12) **United States Design Patent**
Platto et al.

(10) **Patent No.:** **US D783,498 S**

(45) **Date of Patent:** **** Apr. 11, 2017**

(54) **VEHICLE WHEEL**

(71) Applicant: **Ford Motor Company**, Dearborn, MI (US)

(72) Inventors: **Gordon Platto**, Troy, MI (US); **Sean Tant**, Livonia, MI (US); **Jonathan Fontaine**, Royal Oak, MI (US)

(73) Assignee: **Ford Motor Company**, Dearborn, MI (US)

(**) Term: **15 Years**

(21) Appl. No.: **29/537,771**

(22) Filed: **Aug. 28, 2015**

(51) **LOC (10) Cl.** **12-16**

(52) **U.S. Cl.**
USPC **D12/211**

(58) **Field of Classification Search**
USPC D12/204–213
CPC B60B 7/00; B60B 7/02; B60B 7/04; B60B 7/01; B60B 7/06; B60B 3/02; B60B 3/04; B60B 3/06; B60B 3/10; B60B 1/00; B60B 1/08; B60B 1/10; B60B 1/12
See application file for complete search history.

(56) **References Cited**

U.S. PATENT DOCUMENTS

D422,258 S * 4/2000 Hale, Jr. D12/211
D482,307 S * 11/2003 Lee D12/211

D543,493 S * 5/2007 Kim D12/209
D548,165 S * 8/2007 Young D12/211
D569,778 S * 5/2008 Kim D12/211
D590,315 S * 4/2009 Chung D12/209
D654,005 S * 2/2012 Mueller-Stolz D12/209
D719,889 S * 12/2014 Hodges D12/209
D727,829 S * 4/2015 Chung D12/211
D733,025 S * 6/2015 Chung D12/204
D736,135 S * 8/2015 Grake D12/211
D737,191 S * 8/2015 Chung D12/211
D755,105 S * 5/2016 Garbas D12/211
D758,279 S * 6/2016 Platto D12/211
D763,163 S * 8/2016 Chung D12/211

* cited by examiner

Primary Examiner — Stacia Cadmus

(74) *Attorney, Agent, or Firm* — LeClairRyan

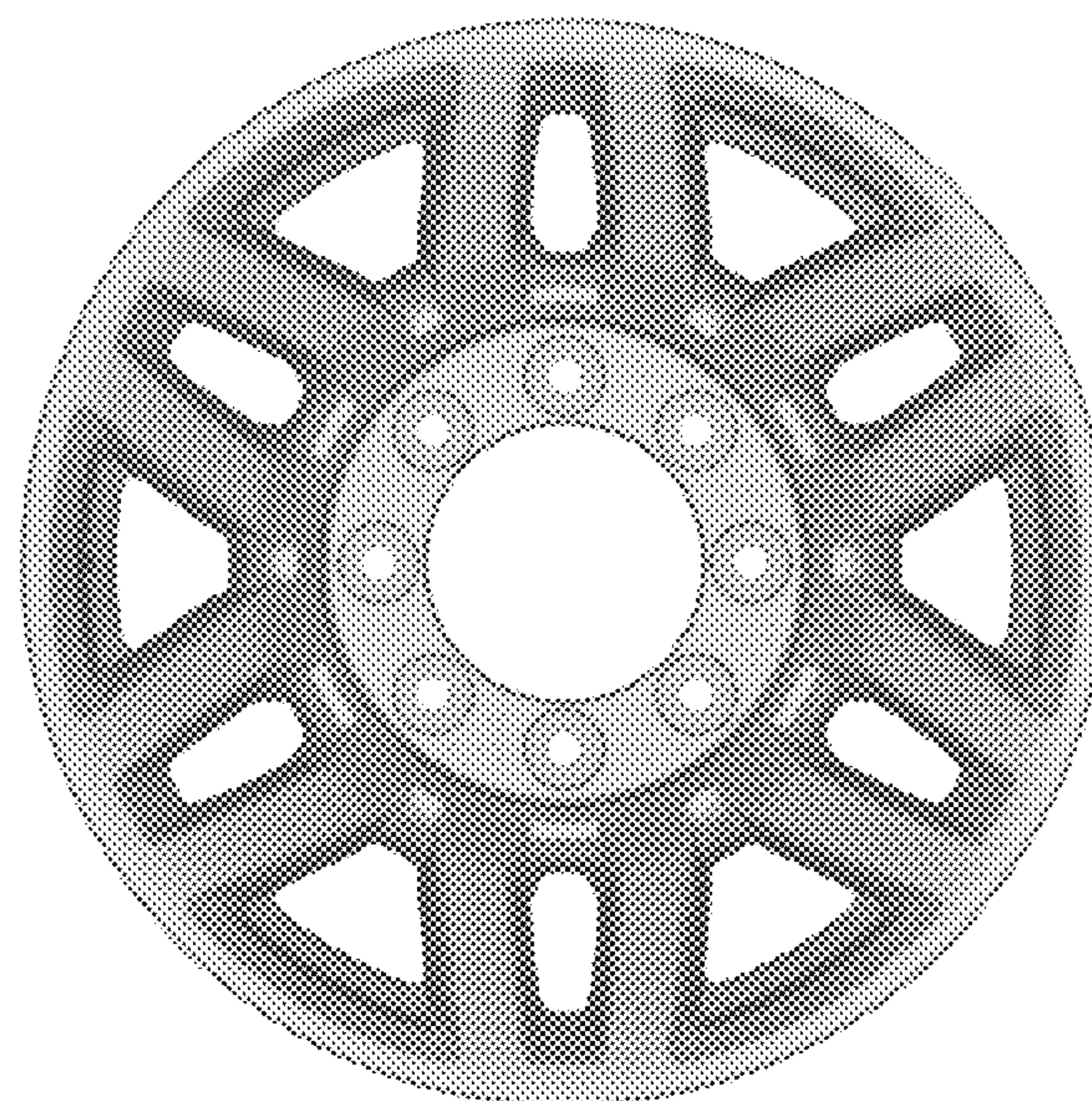
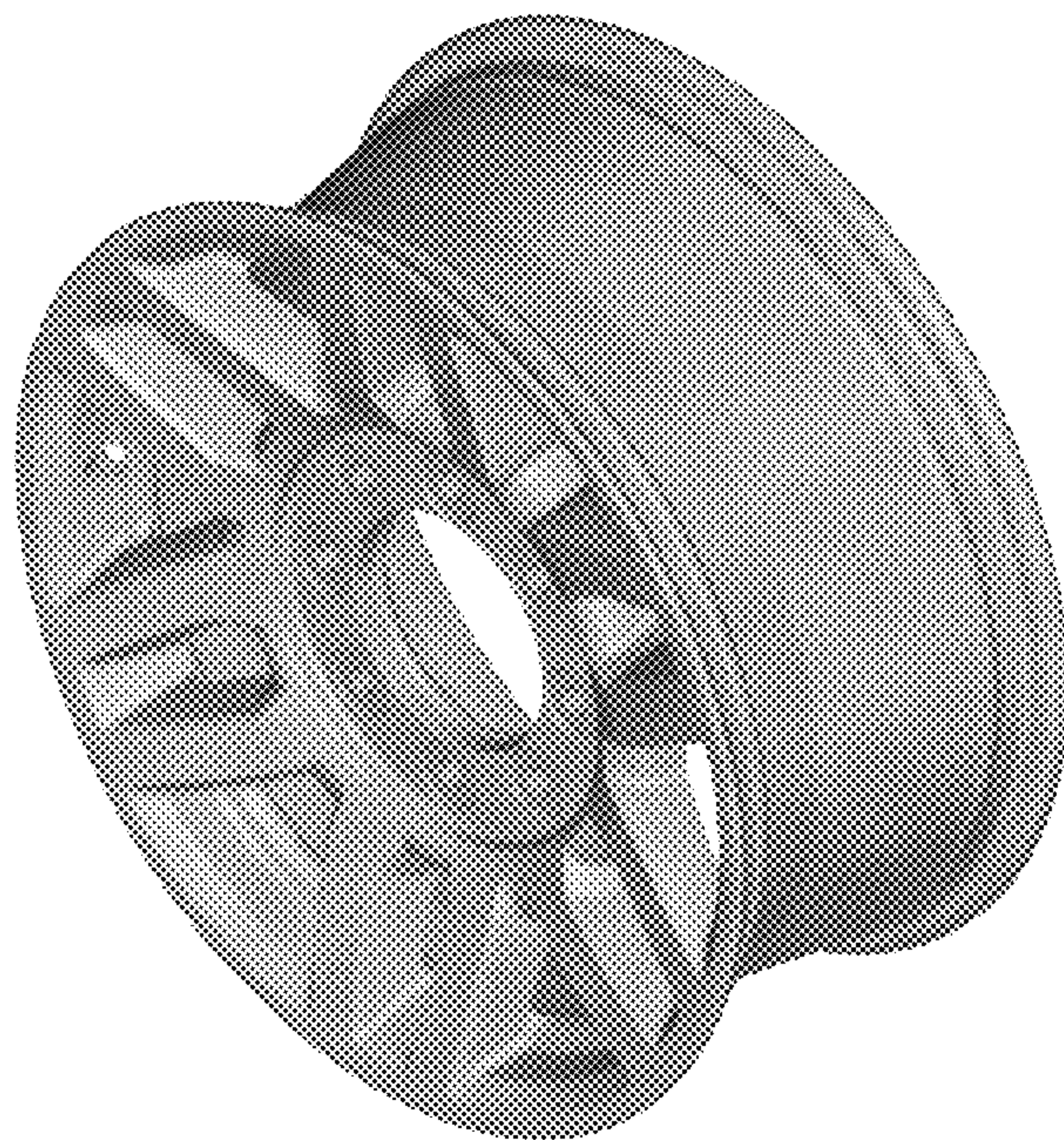
(57) **CLAIM**

The ornamental design for a vehicle wheel, as shown and described.

DESCRIPTION

FIG. 1 is a top perspective view of a vehicle wheel; and, FIG. 2 is a front elevational view thereof.

1 Claim, 2 Drawing Sheets



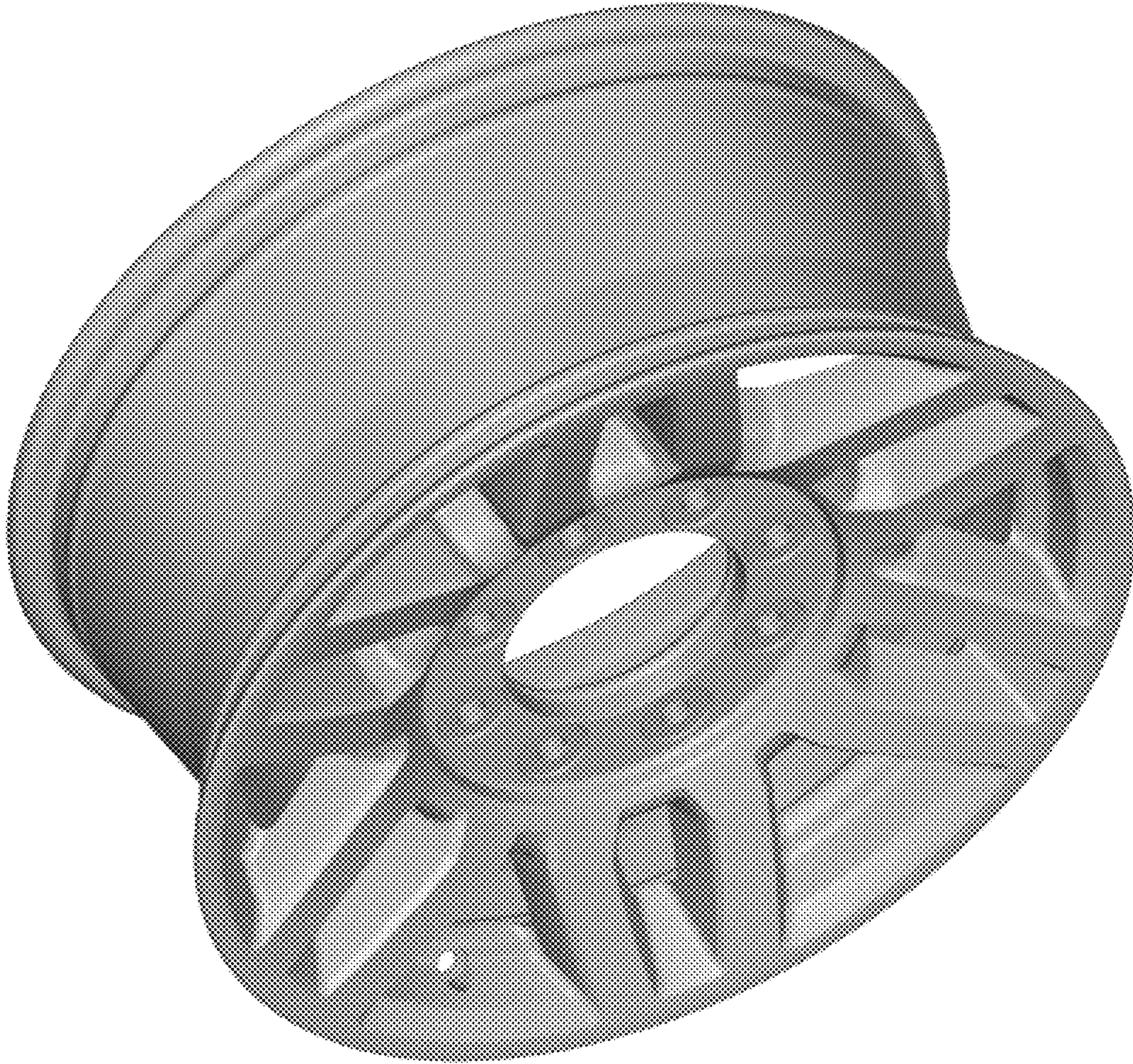


Figure 1



Figure 2