



US00D783496S

(12) **United States Design Patent**  
**Glover et al.**

(10) **Patent No.:** **US D783,496 S**

(45) **Date of Patent:** **\*\* Apr. 11, 2017**

(54) **AUTOMOBILE WHEEL**

(71) Applicants: **Jeremy Glover**, Clawson, MI (US);  
**Vincent J Galante**, Lake Orion, MI  
(US); **Mark T Allen**, Oxford, MI (US)

(72) Inventors: **Jeremy Glover**, Clawson, MI (US);  
**Vincent J Galante**, Lake Orion, MI  
(US); **Mark T Allen**, Oxford, MI (US)

(73) Assignee: **FCA US LLC**, Auburn Hills, MI (US)

(\*\*) Term: **15 Years**

(21) Appl. No.: **29/561,187**

(22) Filed: **Apr. 14, 2016**

(51) **LOC (10) Cl.** ..... **12-16**

(52) **U.S. Cl.**  
USPC ..... **D12/209**

(58) **Field of Classification Search**  
USPC ..... D12/204–213  
CPC .... B60B 7/00; B60B 7/02; B60B 7/04; B60B  
7/01; B60B 7/06; B60B 3/02; B60B 3/04;  
B60B 3/06; B60B 3/10; B60B 1/00;  
B60B 1/08; B60B 1/10; B60B 1/12  
See application file for complete search history.

(56) **References Cited**

**U.S. PATENT DOCUMENTS**

D403,289 S	*	12/1998	Watanabe	.....	D12/209
D466,467 S	*	12/2002	Hodges	.....	D12/211
D491,873 S	*	6/2004	Markefka	.....	D12/211
D512,007 S	*	11/2005	Sze	.....	D12/209
D534,850 S	*	1/2007	Tsutamori	.....	D12/209
D540,238 S	*	4/2007	Sycha	.....	D12/209

D560,585 S	*	1/2008	Blasi	.....	D12/209
D586,280 S	*	2/2009	Blasi	.....	D12/209
D593,018 S	*	5/2009	Juergens	.....	D12/209
D593,920 S	*	6/2009	Juergens	.....	D12/209
D617,710 S	*	6/2010	Ectors	.....	D12/209
D617,712 S	*	6/2010	Juergens	.....	D12/209
D618,152 S	*	6/2010	Juergens	.....	D12/209
D643,356 S	*	8/2011	Gotschke	.....	D12/209
D644,587 S	*	9/2011	Gotschke	.....	D12/209
D681,533 S	*	5/2013	Campbell	.....	D12/209
D683,684 S	*	6/2013	Campbell	.....	D12/209
D687,756 S	*	8/2013	Campbell	.....	D12/209
D715,718 S	*	10/2014	Gotschke	.....	D12/209
D737,748 S	*	9/2015	Henstridge	.....	D12/209
D754,582 S	*	4/2016	Kobayashi	.....	D12/209
D757,624 S	*	5/2016	Hammoud	.....	D12/209
D761,181 S	*	7/2016	Bucher	.....	D12/209
D763,760 S	*	8/2016	Gale	.....	D12/209
D763,764 S	*	8/2016	Dunford	.....	D12/209
D765,002 S	*	8/2016	Hoste	.....	D12/209

\* cited by examiner

*Primary Examiner* — Stacia Cadmus

(74) *Attorney, Agent, or Firm* — Ralph E Smith

(57) **CLAIM**

The ornamental design for an automobile wheel, as shown and described.

**DESCRIPTION**

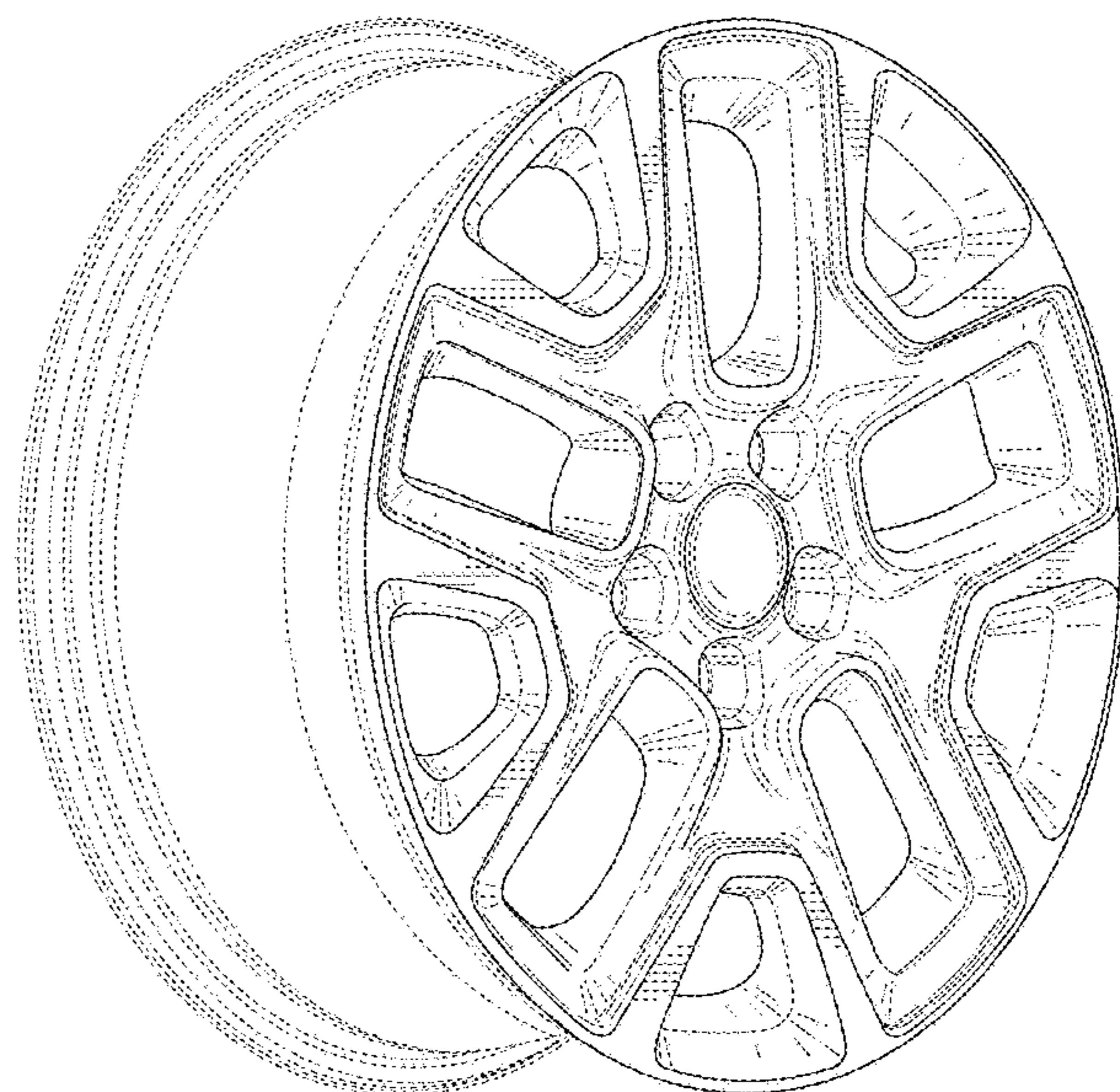
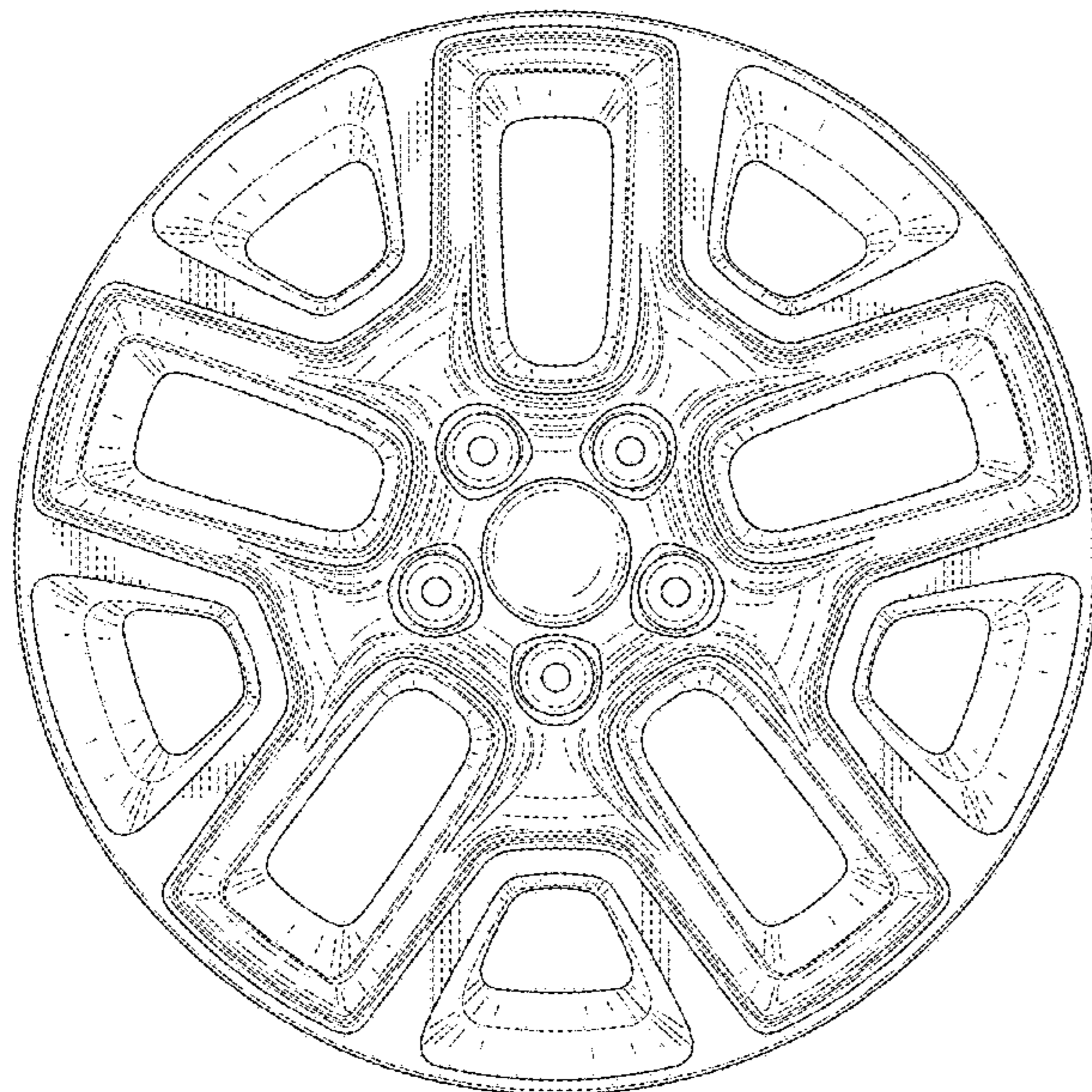
FIG. 1 is a front view of an automobile wheel showing our new design;

FIG. 2 is a left perspective view thereof; and,

FIG. 3 is a right perspective view.

It will be understood that the broken lines shown in the drawings illustrate portions of the automobile wheel that form no part of claimed design.

**1 Claim, 3 Drawing Sheets**



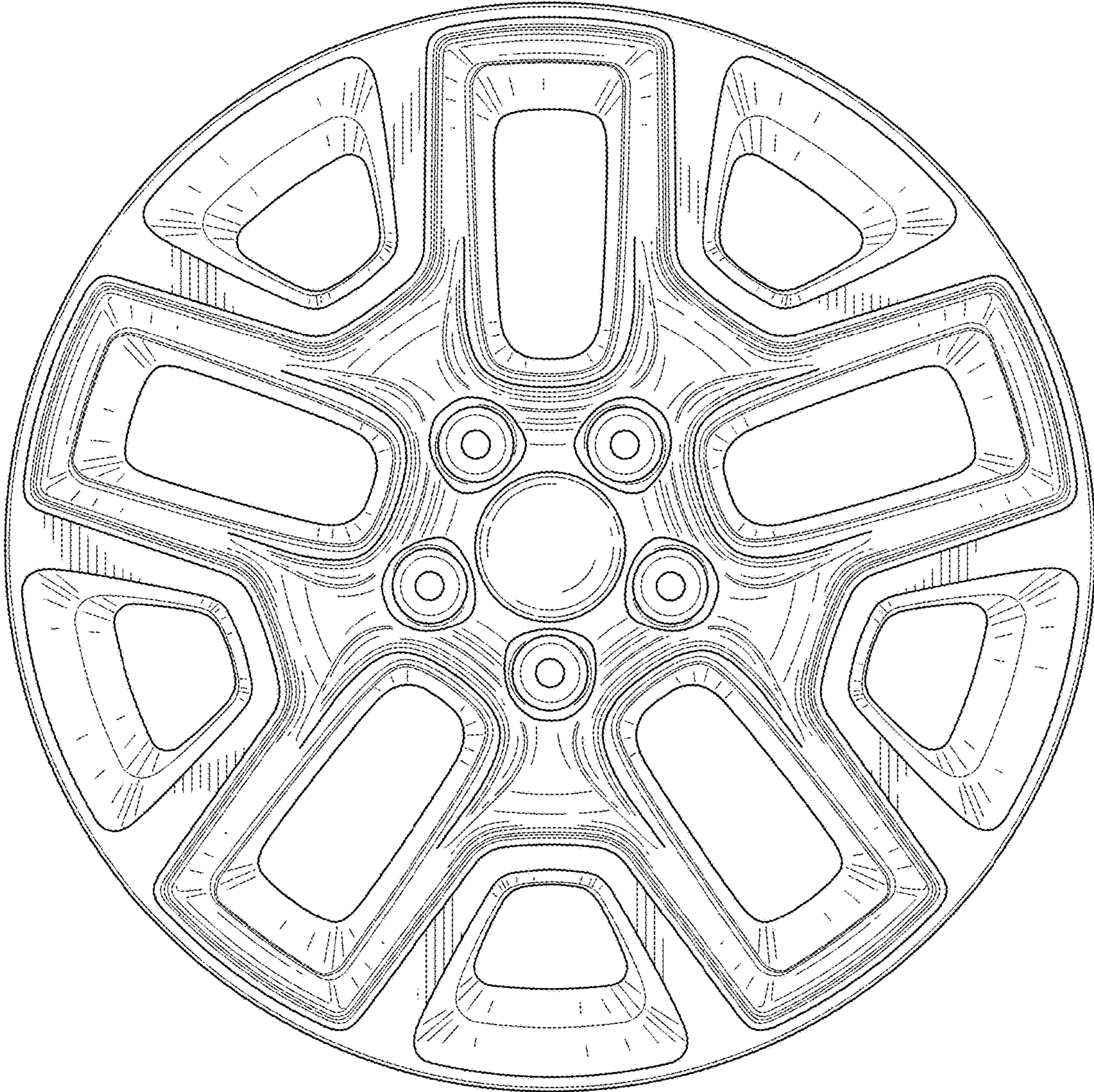


FIG. 1

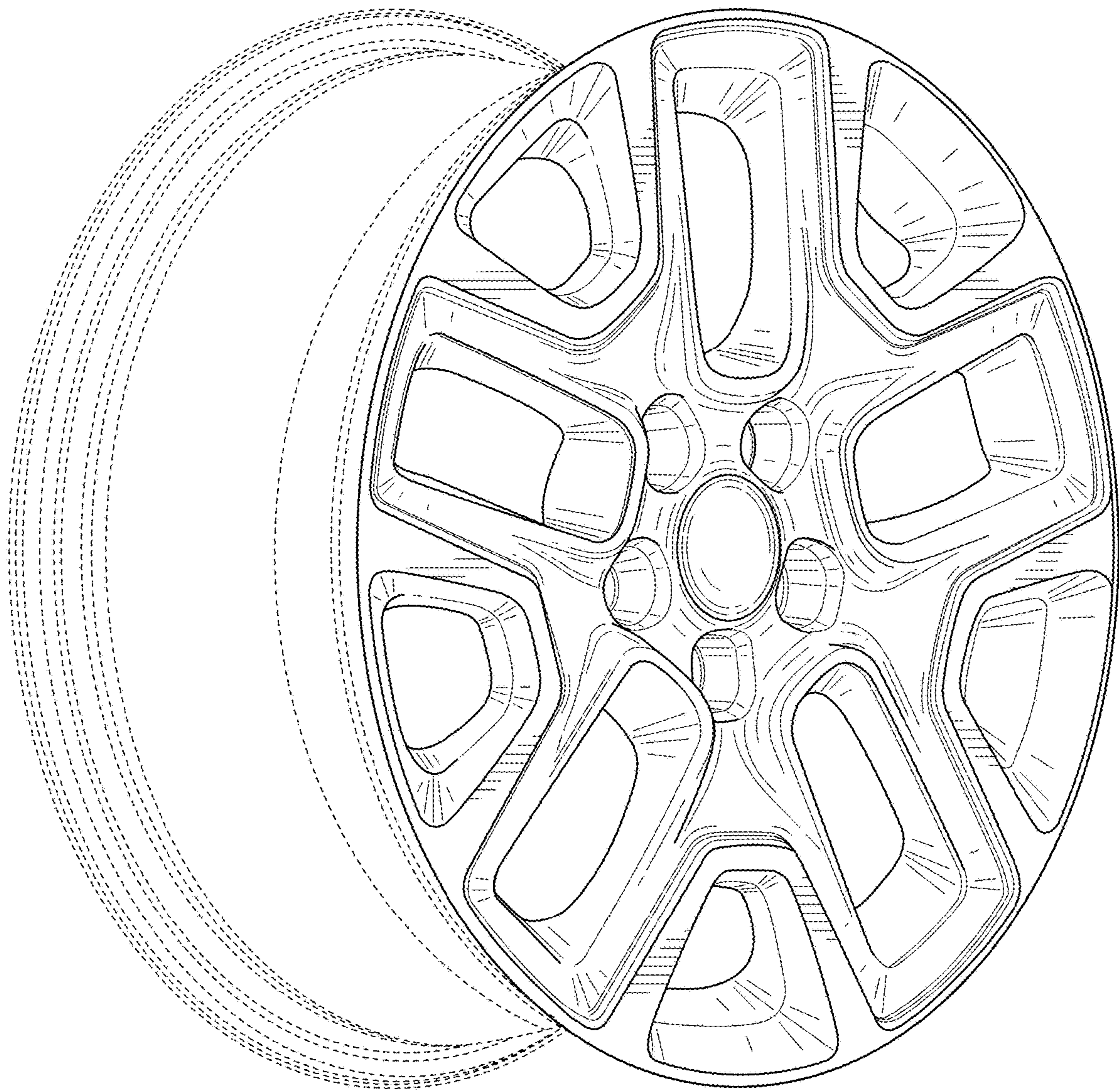


FIG. 2

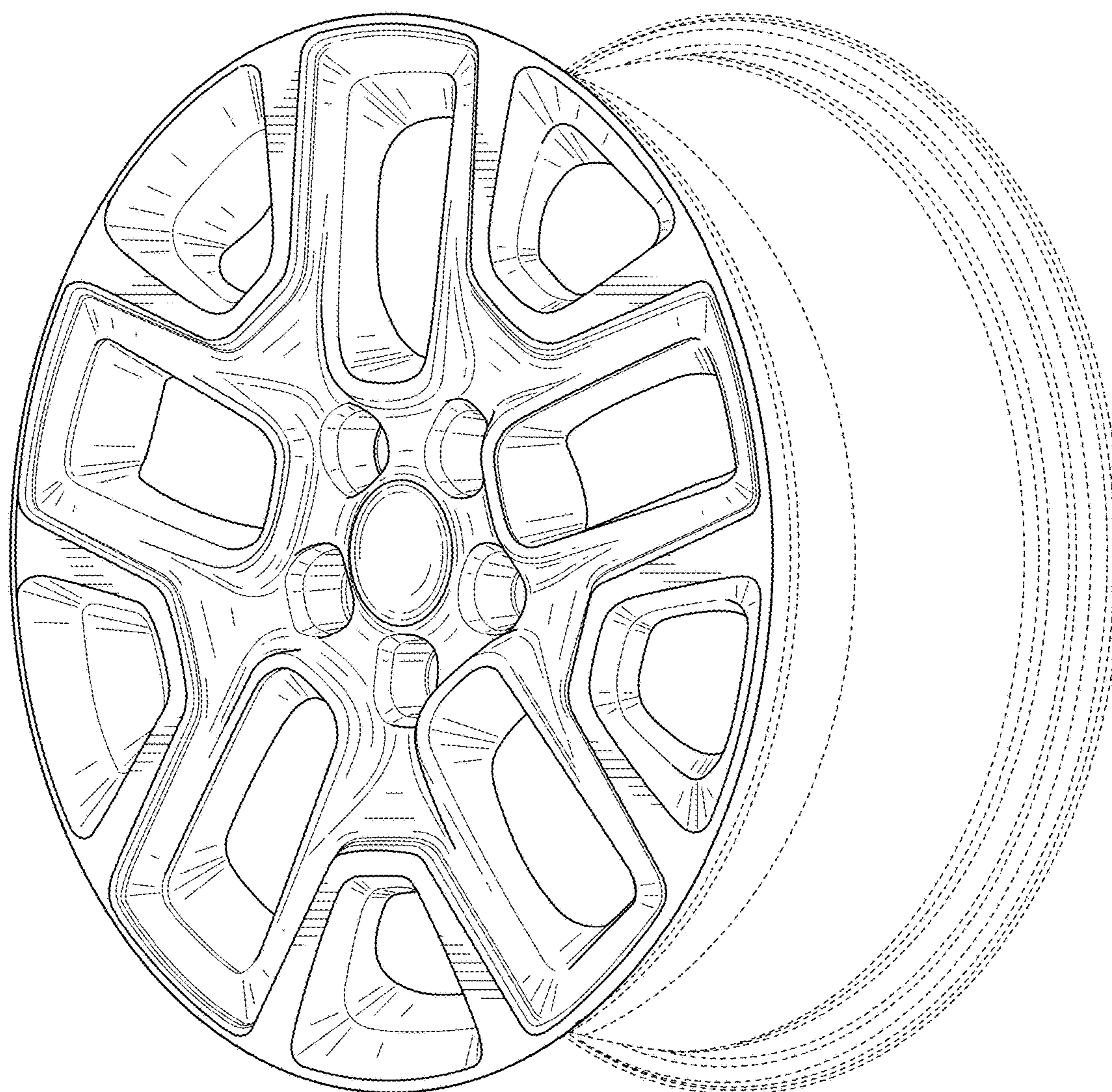


FIG. 3