



US00D783491S

(12) **United States Design Patent**
Valencia Pollex et al.

(10) **Patent No.:** **US D783,491 S**
(45) **Date of Patent:** **** Apr. 11, 2017**

- (54) **VEHICLE WHEEL RIM**
- (71) Applicant: **AUDI AG**, Ingolstadt (DE)
- (72) Inventors: **Andreas Valencia Pollex**, Ingolstadt (DE); **Björn Wehrli**, Ingolstadt (DE)
- (73) Assignee: **AUDI AG**, Ingolstadt (DE)
- (**) Term: **15 Years**

D682,176 S *	5/2013	Badstuebner	D12/209
D705,714 S *	5/2014	Hanaoka	D12/209
D723,989 S *	3/2015	Morikawa	D12/209
D740,191 S *	10/2015	Webber	D12/209
D744,927 S *	12/2015	Morgenstern	D12/209
D751,016 S *	3/2016	Valencia Pollex	D12/209
D759,565 S *	6/2016	Cybulski	D12/209
D759,566 S *	6/2016	Valencia Pollex	D12/211
D763,159 S *	8/2016	Valencia Pollex	D12/209

- (21) Appl. No.: **29/544,964**
- (22) Filed: **Nov. 9, 2015**

(30) **Foreign Application Priority Data**

May 7, 2015 (EM) 002 696 336-0006

- (51) **LOC (10) Cl.** **12-16**
- (52) **U.S. Cl.**
USPC **D12/209**
- (58) **Field of Classification Search**
USPC D12/204, 205, 206, 207, 208, 209, 210,
D12/211, 212, 213
CPC B60B 7/00; B60B 7/01; B60B 7/02; B60B
7/04; B60B 7/06; B60B 3/02; B60B 3/04;
B60B 3/06; B60B 3/10; B60B 1/00;
B60B 1/08; B60B 1/10; B60B 1/12
See application file for complete search history.

(56) **References Cited**

U.S. PATENT DOCUMENTS

D504,096 S *	4/2005	Nakagawa	D12/209
D581,852 S *	12/2008	Scheu	D12/211
D671,478 S *	11/2012	Baum	D12/209

OTHER PUBLICATIONS

- <https://www.youtube.com/watch?v=D9rHZpZoeRA>—Published Jun. 26, 2013.*
- <https://www.netcarshow.com/audi/2016-q7/>—Retrieved Sep. 9, 2016.*
- <http://www.bestcarinf.com/honda/honda-concept/7>—Retrieved Sep. 9, 2016.*

* cited by examiner

Primary Examiner — Manpreet Matharu
Assistant Examiner — Mojtaba Tehrani
 (74) *Attorney, Agent, or Firm* — Lucas & Mercanti, LLP;
 Klaus P. Stoffel

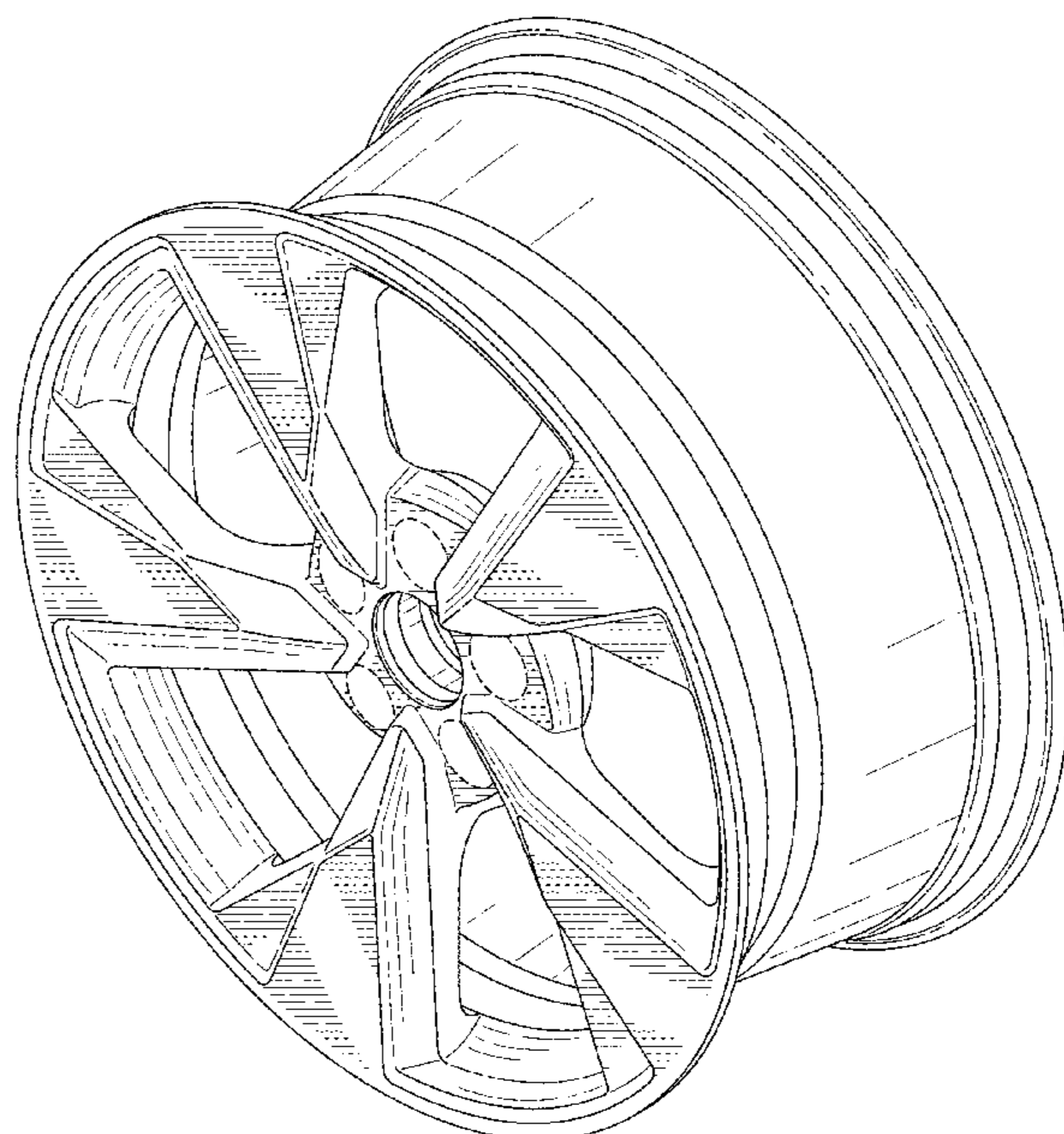
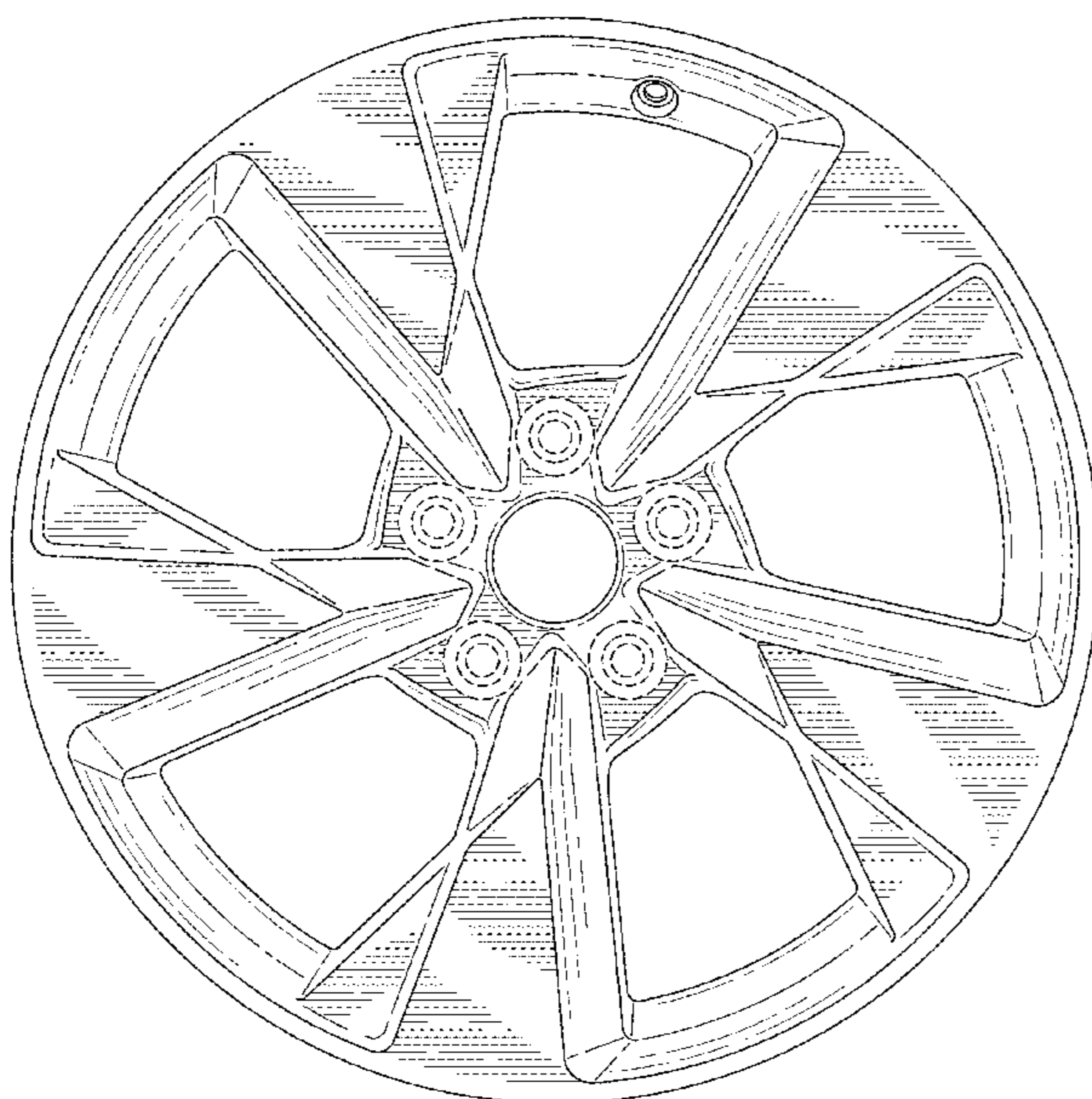
(57) **CLAIM**

The ornamental design for a vehicle wheel rim, as shown and described.

DESCRIPTION

FIG. 1 is a front view of the vehicle wheel rim showing our new design; and,
 FIG. 2 is a front, side perspective view thereof.
 Portions of the drawing shown in broken lines for no part of the claimed design.

1 Claim, 2 Drawing Sheets



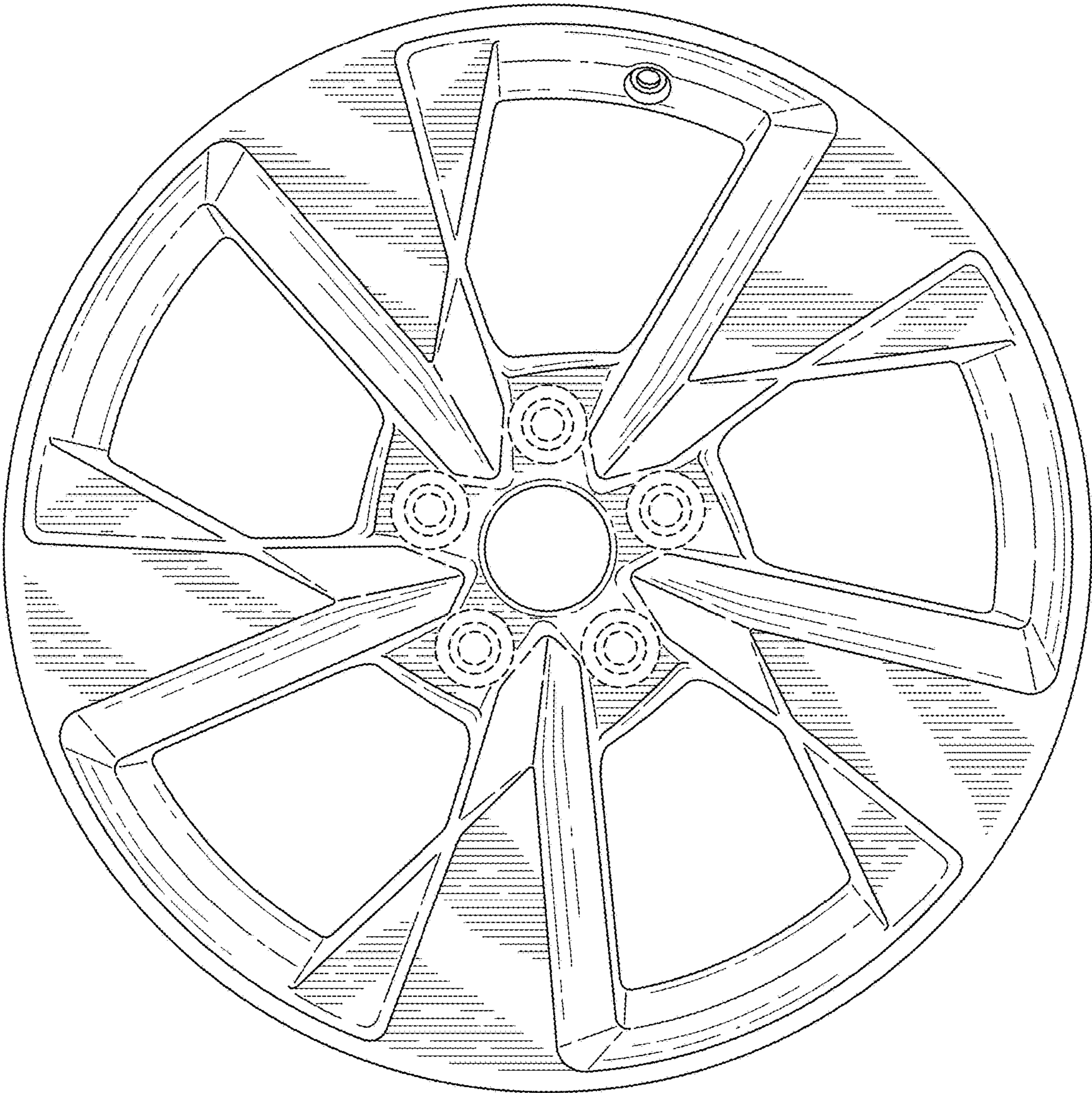


FIG. 1

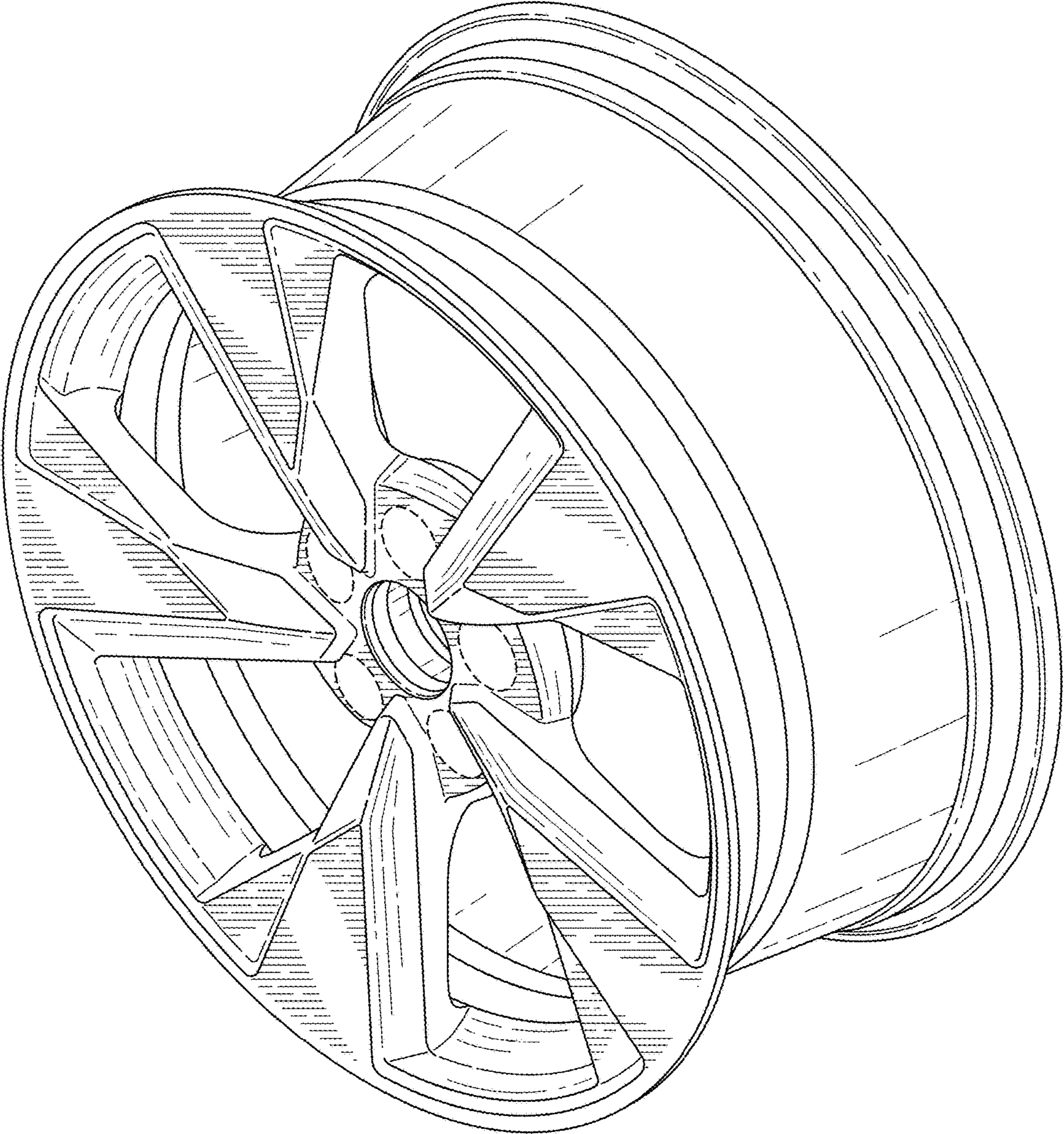


FIG. 2