



US00D783487S

(12) **United States Design Patent**  
**Koglin**

(10) **Patent No.:** **US D783,487 S**

(45) **Date of Patent:** **\*\* Apr. 11, 2017**

(54) **VEHICLE WHEEL RIM**

(71) Applicant: **AUDI AG**, Ingolstadt (DE)

(72) Inventor: **Andreas Joachim Koglin**, Wettstetten (DE)

(73) Assignee: **AUDI AG**, Ingolstadt (DE)

(\*\*) Term: **14 Years**

(21) Appl. No.: **29/526,585**

(22) Filed: **May 11, 2015**

(30) **Foreign Application Priority Data**

Nov. 10, 2014 (EM) ..... 002 575 316-0006

(51) **LOC (10) Cl.** ..... **12-16**

(52) **U.S. Cl.**  
USPC ..... **D12/209**

(58) **Field of Classification Search**  
USPC ..... D12/204–213  
CPC .... B60B 7/00; B60B 7/02; B60B 7/04; B60B 7/01; B60B 7/06; B60B 3/02; B60B 3/04; B60B 3/06; B60B 3/10; B60B 1/00; B60B 1/08; B60B 1/10; B60B 1/12  
See application file for complete search history.

(56) **References Cited**

**U.S. PATENT DOCUMENTS**

D219,871 S	*	2/1971	Griffith	.....	D12/209
D432,479 S	*	10/2000	Lee	.....	D12/209
D436,912 S	*	1/2001	Boyer	.....	D12/211
D466,459 S	*	12/2002	Murkett	.....	D12/209
D467,856 S	*	12/2002	Pfeiffer	.....	D12/209
D486,110 S	*	2/2004	Elmitt	.....	D12/211
D486,113 S	*	2/2004	Lecher	.....	D12/211

D500,470 S	*	1/2005	Rice	.....	D12/211
D503,917 S	*	4/2005	Kushartanto	.....	D12/209
D505,903 S	*	6/2005	Nordmann	.....	D12/209
D507,223 S	*	7/2005	Szavits	.....	D12/209
D507,225 S	*	7/2005	Velazco	.....	D12/211
D508,671 S	*	8/2005	Baum	.....	D12/209
D527,325 S	*	8/2006	Nagashima	.....	D12/209
D535,934 S	*	1/2007	Scheu	.....	D12/211
D538,215 S	*	3/2007	Laengerer	.....	D12/209
D551,150 S	*	9/2007	Hueller	.....	D12/211
D560,152 S	*	1/2008	Nordmann	.....	D12/211
D586,281 S	*	2/2009	Pfeiffer	.....	D12/209
D589,423 S	*	3/2009	Juergens	.....	D12/209
D591,216 S	*	4/2009	Laengerer	.....	D12/209
D604,220 S	*	11/2009	Penano	.....	D12/209
D623,110 S	*	9/2010	Juergens	.....	D12/209
D643,793 S	*	8/2011	Juergens	.....	D12/209
D658,103 S	*	4/2012	Choe	.....	D12/209
D664,910 S	*	8/2012	Gallert	.....	D12/211
D666,546 S	*	9/2012	Juergens	.....	D12/209
D705,713 S	*	5/2014	Wagener	.....	D12/209
D744,397 S	*	12/2015	Pollmann	.....	D12/209
D744,404 S	*	12/2015	Garbas	.....	D12/211
D754,049 S	*	4/2016	Valencia Pollex	.....	D12/209

\* cited by examiner

*Primary Examiner* — Stacia Cadmus

(74) *Attorney, Agent, or Firm* — Lucas & Mercanti, LLP; Klaus P. Stoffel

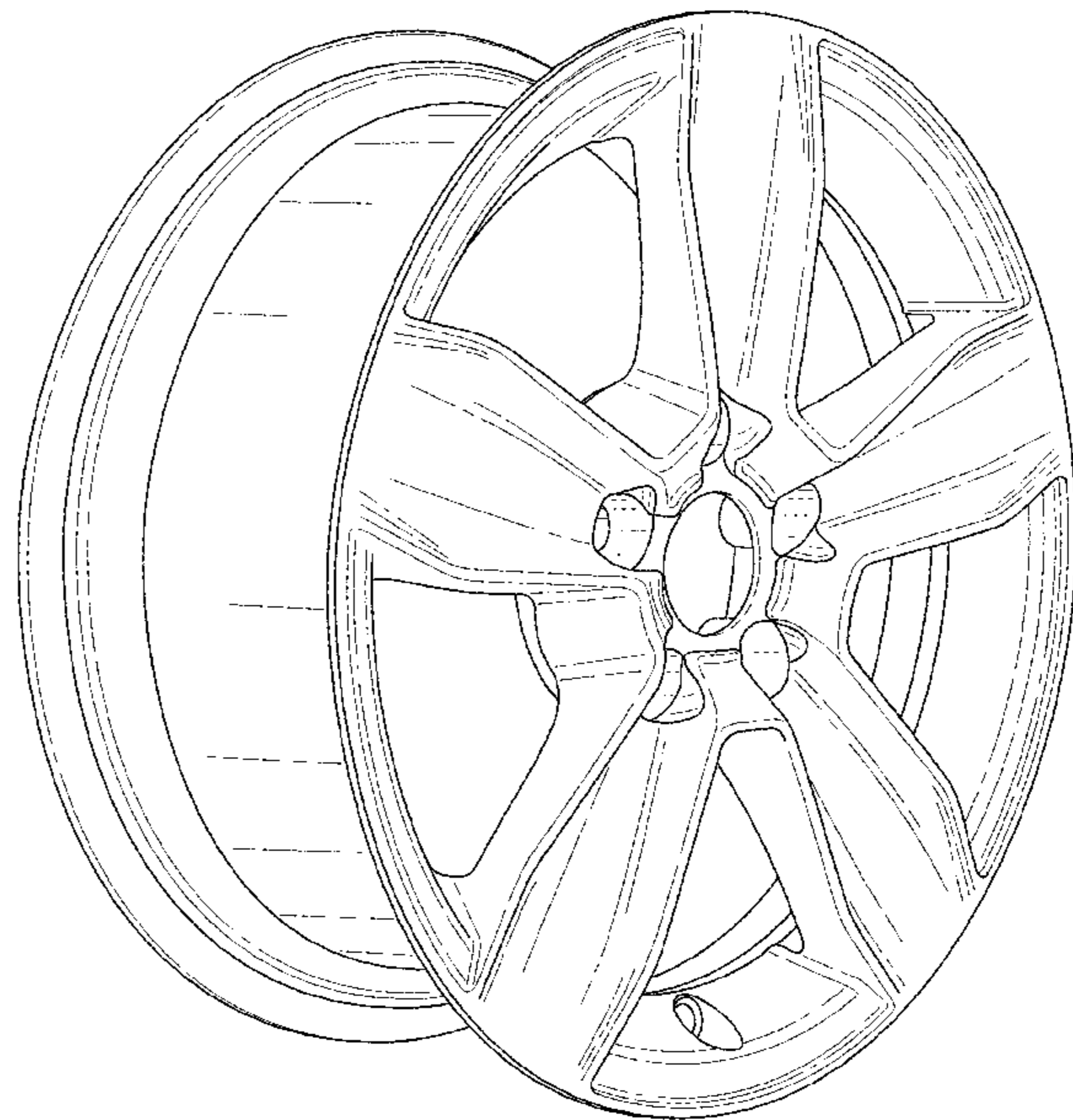
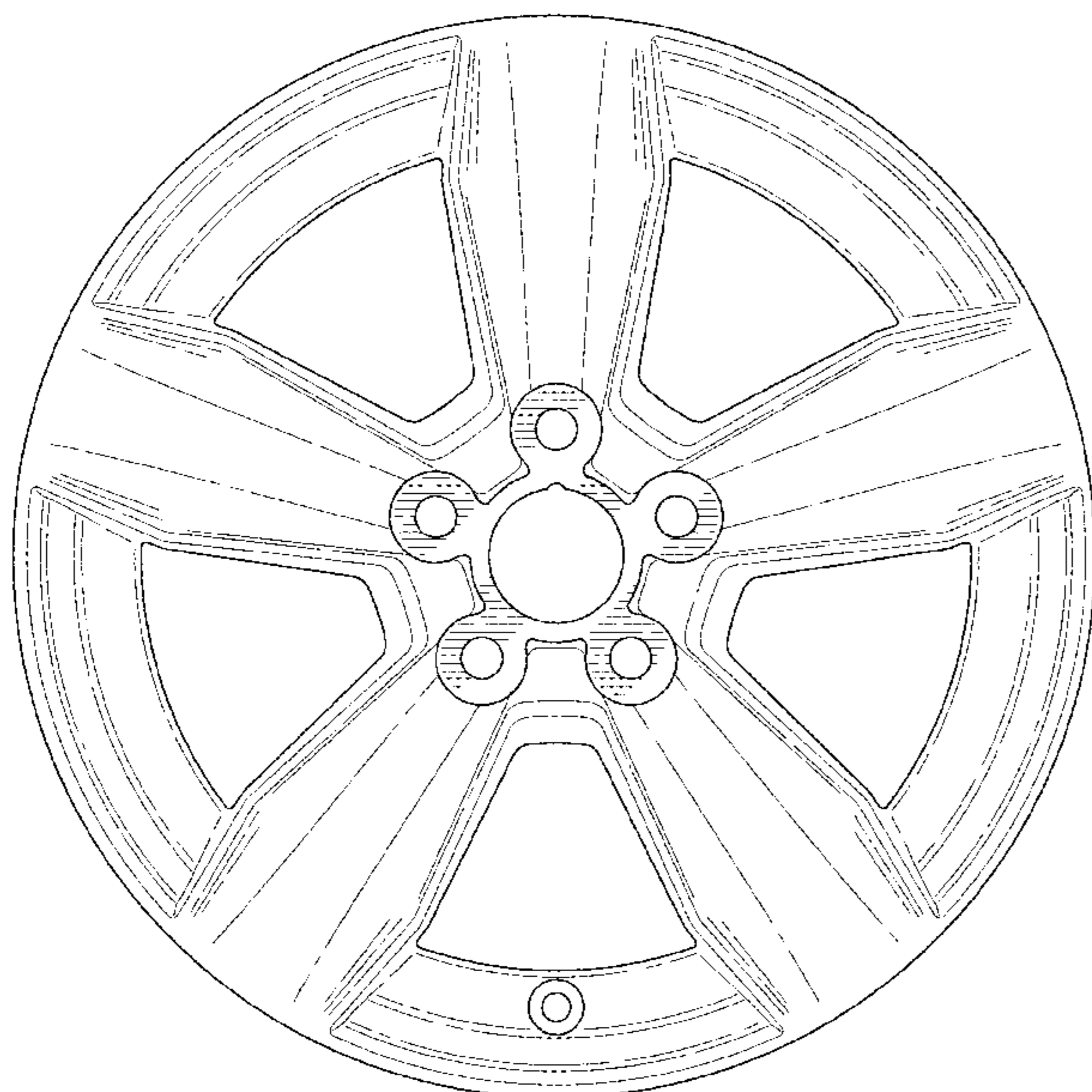
(57) **CLAIM**

The ornamental design for a vehicle wheel rim, as shown and described.

**DESCRIPTION**

FIG. 1 is a front view of the vehicle wheel rim of the present invention; and, FIG. 2 is a front, side perspective view thereof.

**1 Claim, 2 Drawing Sheets**



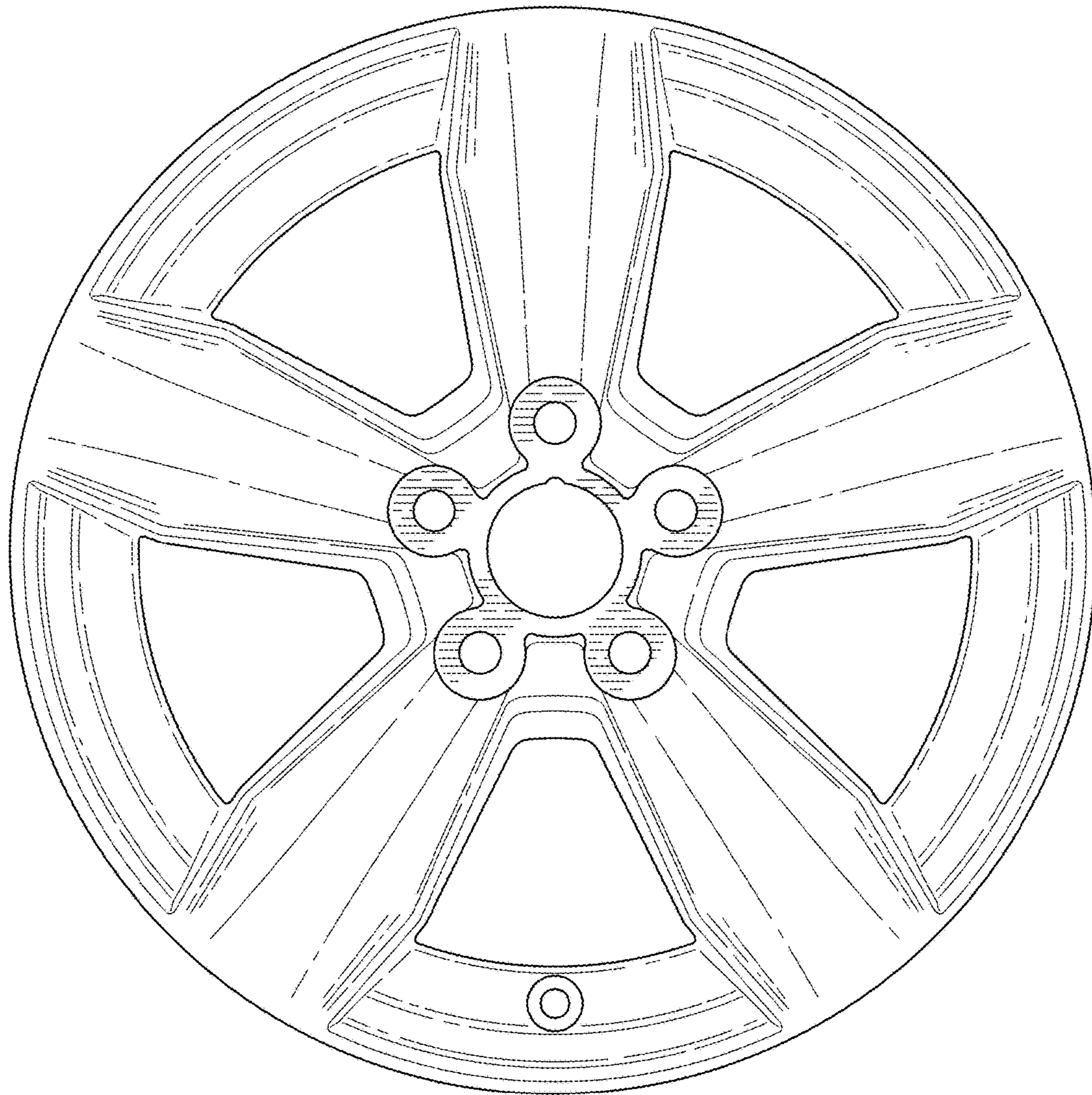


FIG. 1

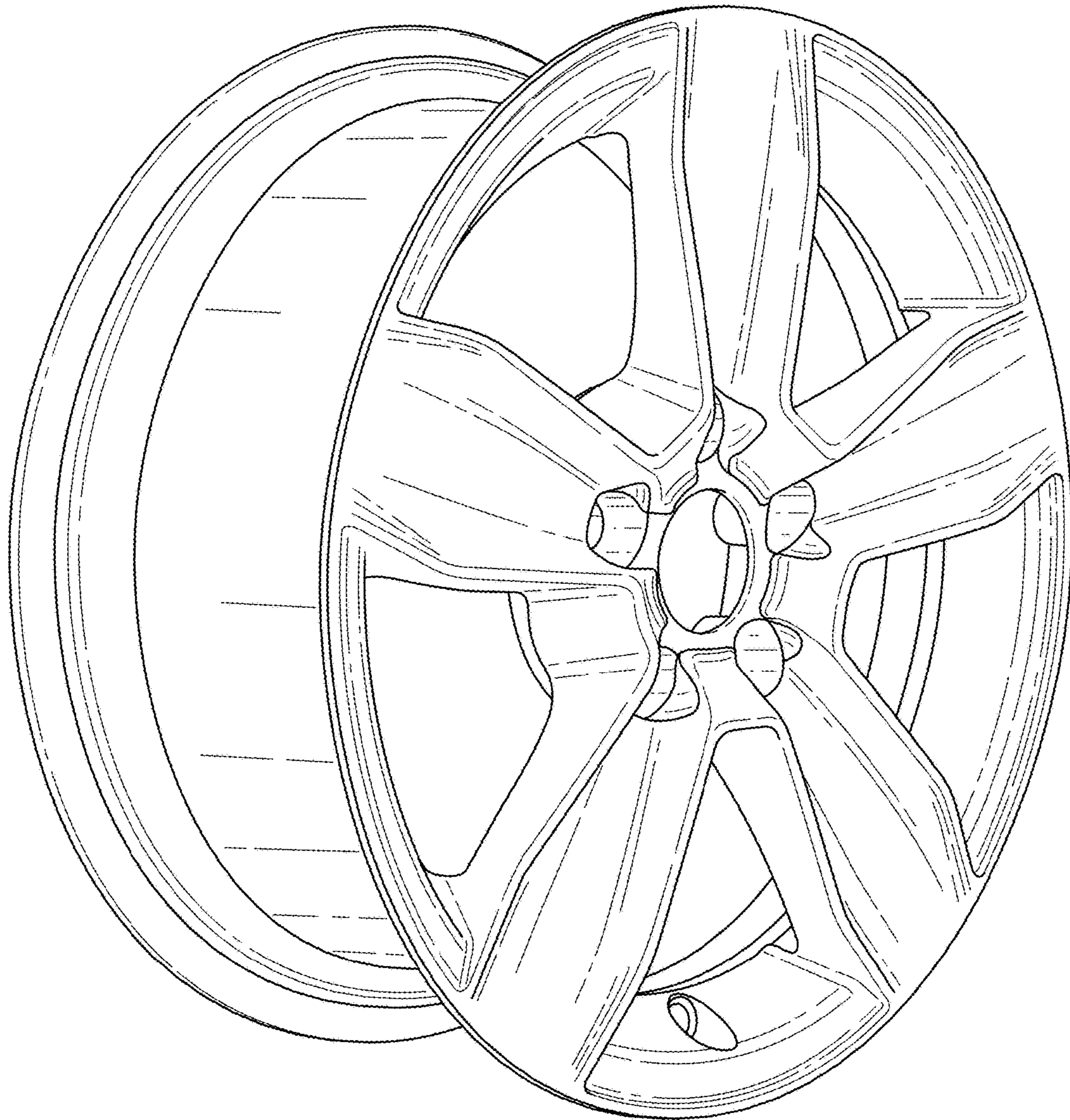


FIG. 2