



US00D783480S

(12) **United States Design Patent** (10) **Patent No.:** **US D783,480 S**
Sloterbeek et al. (45) **Date of Patent:** **** Apr. 11, 2017**

(54) **REARVIEW DEVICE**

FOREIGN PATENT DOCUMENTS

(71) Applicant: **Gentex Corporation**, Zeeland, MI (US)

DE 102010064082 A1 6/2012
EP 0513476 11/1992

(72) Inventors: **Eric S. Sloterbeek**, Hudsonville, MI (US); **Danny L. Minikey, Jr.**, Fenwick, MI (US); **Bradley R. Hamlin**, Allendale, MI (US)

(Continued)

(73) Assignee: **GENTEX CORPORATION**, Zeeland, MI (US)

OTHER PUBLICATIONS

Palalau et al., "FPD Evaluation for Automotive Application," Proceedings of the Vehicle Display Symposium, Nov. 2, 1995, pp. 97-103, Society for Information Display, Detroit Chapter, Santa Ana, CA.

(**) Term: **15 Years**

(Continued)

(21) Appl. No.: **29/550,127**

Primary Examiner — Katrina A Betton

(22) Filed: **Dec. 30, 2015**

(74) *Attorney, Agent, or Firm* — Price Heneveld LLP; Bradley D. Johnson

Related U.S. Application Data

(62) Division of application No. 29/511,063, filed on Dec. 5, 2014, now Pat. No. Des. 746,744.

(51) **LOC (10) Cl.** **12-16**

(52) **U.S. Cl.**
USPC **D12/187**

(58) **Field of Classification Search**
USPC D12/187, 188, 189; D6/300, 309
CPC B60R 1/076; G02B 7/182; G02B 5/08; G02B 7/18

See application file for complete search history.

(56) **References Cited**

U.S. PATENT DOCUMENTS

2,131,888 A 10/1938 Harris
2,632,040 A 3/1953 Rabinow
2,827,594 A 3/1958 Rabinow
3,179,845 A 4/1965 Kulwicz

(Continued)

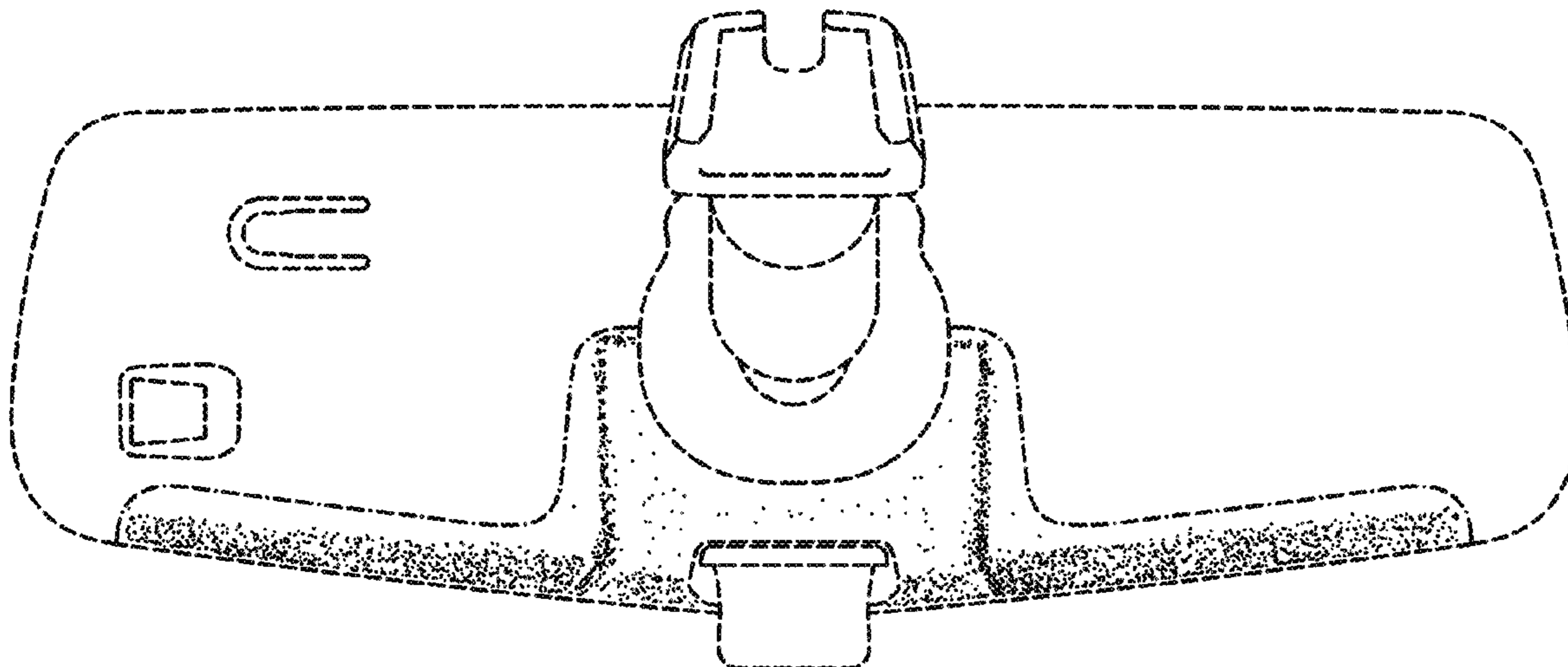
(57) **CLAIM**

We claim the ornamental design for a rearview device, as shown and described.

DESCRIPTION

FIG. 1 is a top front perspective view of a rearview device of the present disclosure;
FIG. 2 is a bottom front perspective view of the rearview device of FIG. 1;
FIG. 3 is a front elevational view of the rearview device of FIG. 1;
FIG. 4 is a rear elevational view of the rearview device of FIG. 1;
FIG. 5 is a top plan view of the rearview device of FIG. 1;
FIG. 6 is a bottom plan elevational view of the rearview device of FIG. 1;
FIG. 7 is a first side elevational view of the rearview device of FIG. 1; and,
FIG. 8 is a second side elevational view of the rearview device of FIG. 1.
The broken lines depict portions of the article that form no part of the claimed design.

1 Claim, 5 Drawing Sheets



(56)

References Cited

U.S. PATENT DOCUMENTS

3,280,701 A	10/1966	Donnelly et al.	5,355,146 A	10/1994	Chiu et al.
3,581,276 A	5/1971	Newman	5,379,104 A	1/1995	Takao
3,663,819 A	5/1972	Hicks et al.	5,379,146 A	1/1995	Defendini
3,837,129 A	9/1974	Losell	5,381,309 A	1/1995	Borchardt
4,109,235 A	8/1978	Bouthors	5,386,285 A	1/1995	Asayama
4,139,801 A	2/1979	Linares	5,396,054 A	3/1995	Krichever et al.
4,151,526 A	4/1979	Hinachi et al.	5,402,170 A	3/1995	Parulski et al.
4,214,266 A	7/1980	Myers	5,408,357 A	4/1995	Beukema
4,236,099 A	11/1980	Rosenblum	5,414,461 A	5/1995	Kishi et al.
4,257,703 A	3/1981	Goodrich	5,416,318 A	5/1995	Hegy
4,258,979 A	3/1981	Mahin	5,418,610 A	5/1995	Fischer
4,277,804 A	7/1981	Robison	5,421,940 A	6/1995	Cornils et al.
4,286,308 A	8/1981	Wolff	5,424,952 A	6/1995	Asayama
4,310,851 A	1/1982	Pierrat	5,426,294 A	6/1995	Kobayashi et al.
4,357,558 A	11/1982	Massoni et al.	5,428,464 A	6/1995	Silverbrook
4,376,909 A	3/1983	Tagami et al.	5,430,450 A	7/1995	Holmes
4,479,173 A	10/1984	Rumpakis	5,434,407 A	7/1995	Bauer et al.
4,499,451 A	2/1985	Suzuki et al.	5,448,397 A	9/1995	Tonar
D283,998 S	5/1986	Tanaka	5,451,822 A	9/1995	Bechtel et al.
4,599,544 A	7/1986	Martin	5,452,004 A	9/1995	Roberts
4,630,904 A	12/1986	Pastore	5,469,298 A	11/1995	Suman et al.
4,638,287 A	1/1987	Umebayashi et al.	5,471,515 A	11/1995	Fossum et al.
4,645,975 A	2/1987	Meitzler et al.	5,475,441 A	12/1995	Parulski et al.
4,665,321 A	5/1987	Chang et al.	5,475,494 A	12/1995	Nishida et al.
4,665,430 A	5/1987	Hiroyasu	5,481,268 A	1/1996	Higgins
4,692,798 A	9/1987	Seko et al.	5,483,346 A	1/1996	Butzer
4,716,298 A	12/1987	Etoh	5,483,453 A	1/1996	Uemura et al.
4,727,290 A	2/1988	Smith et al.	5,485,155 A	1/1996	Hibino
4,740,838 A	4/1988	Mase et al.	5,485,378 A	1/1996	Franke et al.
4,768,135 A	8/1988	Kretschmer et al.	5,488,496 A	1/1996	Pine
4,862,037 A	8/1989	Farber et al.	5,508,592 A	4/1996	Lapatovich et al.
4,891,559 A	1/1990	Matsumoto et al.	5,515,448 A	5/1996	Nishitani
4,902,108 A	2/1990	Byker	5,523,811 A	6/1996	Wada et al.
4,910,591 A	3/1990	Petrossian et al.	5,530,421 A	6/1996	Marshall et al.
4,930,742 A	6/1990	Schofield et al.	5,535,144 A	7/1996	Kise
4,934,273 A	6/1990	Endriz	5,537,003 A	7/1996	Bechtel et al.
4,967,319 A	10/1990	Seko	5,541,590 A	7/1996	Nishio
5,005,213 A	4/1991	Hanson et al.	5,541,724 A	7/1996	Hoashi
5,008,946 A	4/1991	Ando	5,550,677 A	8/1996	Schofield et al.
5,027,200 A	6/1991	Petrossian et al.	5,554,912 A	9/1996	Thayer et al.
5,036,437 A	7/1991	Macks	5,574,443 A	11/1996	Hsieh
5,052,163 A	10/1991	Czekala	5,574,463 A	11/1996	Shirai et al.
5,066,112 A	11/1991	Lynam et al.	5,576,975 A	11/1996	Sasaki et al.
5,069,535 A	12/1991	Baucke et al.	5,587,929 A	12/1996	League et al.
5,072,154 A	12/1991	Chen	5,592,146 A	1/1997	Kover, Jr. et al.
5,073,012 A	12/1991	Lynam	5,602,542 A	2/1997	Windmann et al.
5,076,673 A	12/1991	Lynam et al.	5,614,788 A	3/1997	Mullins et al.
5,086,253 A	2/1992	Lawler	5,615,023 A	3/1997	Yang
5,096,287 A	3/1992	Kakinami et al.	5,617,085 A	4/1997	Tsutsumi et al.
5,115,346 A	5/1992	Lynam	5,621,460 A	4/1997	Hatlestad et al.
5,121,200 A	6/1992	Choi et al.	5,634,709 A	6/1997	Iwama
5,124,549 A	6/1992	Michaels et al.	5,642,238 A	6/1997	Sala
5,128,799 A	7/1992	Byker	5,646,614 A	7/1997	Abersfelder et al.
5,151,824 A	9/1992	O'Farrell	5,649,756 A	7/1997	Adams et al.
5,158,638 A	10/1992	Osanami et al.	5,650,765 A	7/1997	Park
5,166,681 A	11/1992	Bottesch et al.	5,660,454 A	8/1997	Mori et al.
5,182,502 A	1/1993	Slotkowski et al.	5,666,028 A	9/1997	Bechtel et al.
5,187,383 A	2/1993	Taccetta et al.	5,670,935 A	9/1997	Schofield et al.
5,197,562 A	3/1993	Kakinami et al.	5,679,283 A	10/1997	Tonar
5,230,400 A	7/1993	Kakinami et al.	5,680,123 A	10/1997	Lee
5,235,178 A	8/1993	Hegy	5,682,267 A	10/1997	Tonar
5,243,417 A	9/1993	Pollard	5,684,473 A	11/1997	Hibino et al.
5,253,109 A	10/1993	O'Farrell et al.	5,689,370 A	11/1997	Tonar
5,278,693 A	1/1994	Theiste	5,707,129 A	1/1998	Kobayashi
5,280,380 A	1/1994	Byker	5,708,410 A	1/1998	Blank et al.
5,282,077 A	1/1994	Byker	5,708,857 A	1/1998	Ishibashi
5,289,321 A	2/1994	Secor	5,710,565 A	1/1998	Shirai et al.
5,294,376 A	3/1994	Byker	5,714,751 A	2/1998	Chen
5,296,924 A	3/1994	Blancard et al.	5,715,093 A	2/1998	Schierbeek et al.
D346,356 S	4/1994	Leu	5,729,194 A	3/1998	Spears et al.
5,304,980 A	4/1994	Maekawa	5,736,816 A	4/1998	Strenke et al.
5,329,206 A	7/1994	Slotkowski et al.	5,742,026 A	4/1998	Dickinson
5,336,448 A	8/1994	Byker	5,745,050 A	4/1998	Nakagawa
5,347,261 A	9/1994	Adell	5,751,211 A	5/1998	Shirai et al.
5,347,459 A	9/1994	Greenspan et al.	5,751,832 A	5/1998	Panter et al.
			5,754,099 A	5/1998	Nishimura et al.
			5,760,828 A	6/1998	Cortes
			5,764,139 A	6/1998	Nojima et al.
			5,767,793 A	6/1998	Agravante et al.

(56)

References Cited

U.S. PATENT DOCUMENTS

5,781,105 A	7/1998	Bitar et al.	6,130,421 A	10/2000	Bechtel
5,786,787 A	7/1998	Eriksson et al.	6,130,448 A	10/2000	Bauer et al.
5,790,298 A	8/1998	Tonar	6,132,072 A	10/2000	Turnbull
5,793,308 A	8/1998	Rosinski et al.	6,140,933 A	10/2000	Bugno
5,793,420 A	8/1998	Schmidt	6,144,158 A	11/2000	Beam
5,796,094 A	8/1998	Schofield et al.	6,151,065 A	11/2000	Steed et al.
5,798,727 A	8/1998	Shirai et al.	6,151,539 A	11/2000	Bergholz et al.
5,803,579 A	9/1998	Turnbull	6,154,149 A	11/2000	Tychkowski et al.
5,808,778 A	9/1998	Bauer et al.	6,157,294 A	12/2000	Urai et al.
5,811,888 A	9/1998	Hsieh	6,166,628 A	12/2000	Andreas
5,812,321 A	9/1998	Schierbeek et al.	6,166,698 A	12/2000	Turnbull et al.
5,818,625 A	10/1998	Forgette et al.	6,166,848 A	12/2000	Cammenga et al.
5,825,527 A	10/1998	Forgette et al.	6,167,755 B1	1/2001	Damson et al.
D400,481 S	11/1998	Stephens et al.	6,170,956 B1	1/2001	Rumsey et al.
D401,200 S	11/1998	Huang	6,172,600 B1	1/2001	Kakinami et al.
5,837,994 A	11/1998	Stam	6,172,601 B1	1/2001	Wada et al.
5,841,126 A	11/1998	Fossum et al.	6,175,300 B1	1/2001	Kendrick
5,844,505 A	12/1998	Van Ryzin	6,184,781 B1	2/2001	Ramakesavan
5,845,000 A	12/1998	Breed et al.	6,185,492 B1	2/2001	Kagawa et al.
5,850,176 A	12/1998	Kinoshita et al.	6,188,505 B1	2/2001	Lompfrey
5,867,214 A	2/1999	Anderson et al.	6,191,704 B1	2/2001	Takenaga et al.
5,877,897 A	3/1999	Schofield et al.	6,193,378 B1	2/2001	Tonar et al.
5,883,739 A	3/1999	Ashihara et al.	6,193,912 B1	2/2001	Theiste
5,888,431 A	3/1999	Tonar et al.	6,195,194 B1	2/2001	Roberts et al.
5,896,119 A	4/1999	Evanicky et al.	6,200,010 B1	3/2001	Anders
5,904,729 A	5/1999	Ruzicka	6,218,934 B1	4/2001	Regan
5,905,457 A	5/1999	Rashid	6,222,177 B1	4/2001	Bechtel
D410,607 S	6/1999	Carter	6,222,447 B1	4/2001	Schofield et al.
5,912,534 A	6/1999	Benedict	6,224,716 B1	5/2001	Yoder
5,923,027 A	7/1999	Stam	6,229,435 B1	5/2001	Knapp
5,923,457 A	7/1999	Byker et al.	6,239,898 B1	5/2001	Byker
5,928,572 A	7/1999	Tonar et al.	6,239,899 B1	5/2001	DeVries et al.
5,935,613 A	8/1999	Benham et al.	6,244,716 B1	6/2001	Steenwyk
5,940,011 A	8/1999	Agravante et al.	6,246,507 B1	6/2001	Bauer
5,940,201 A	8/1999	Ash et al.	6,247,819 B1	6/2001	Turnbull
5,942,853 A	8/1999	Piscart	6,249,214 B1	6/2001	Kashiwazaki
5,949,331 A	9/1999	Schofield et al.	6,249,369 B1	6/2001	Theiste et al.
5,956,012 A	9/1999	Turnbull et al.	6,250,766 B1	6/2001	Strumolo et al.
5,956,079 A	9/1999	Ridgley	6,255,639 B1	7/2001	Stam
5,956,181 A	9/1999	Lin	6,259,475 B1	7/2001	Ramachandran et al.
5,959,555 A	9/1999	Furuta	6,262,831 B1	7/2001	Bauer
5,990,469 A	11/1999	Bechtel	6,262,832 B1	7/2001	Lompfrey
5,998,617 A	12/1999	Srinivasa	6,265,968 B1	7/2001	Betzitza et al.
6,002,511 A	12/1999	Varaprasad	6,268,803 B1	7/2001	Gunderson et al.
6,008,486 A	12/1999	Stam	6,268,950 B1	7/2001	Ash
6,009,359 A	12/1999	El-Hakim et al.	6,269,308 B1	7/2001	Kodaka et al.
6,018,308 A	1/2000	Shirai	6,281,632 B1	8/2001	Stam
6,020,987 A	2/2000	Baumann	6,281,804 B1	8/2001	Haller et al.
6,023,040 A	2/2000	Zahavi	6,289,332 B2	9/2001	Menig et al.
6,023,229 A	2/2000	Bugno et al.	6,291,812 B1	9/2001	Bechtel
6,025,872 A	2/2000	Ozaki et al.	6,300,879 B1	10/2001	Regan et al.
6,037,471 A	3/2000	Srinivasa	6,304,173 B2	10/2001	Pala et al.
6,043,452 A	3/2000	Bestenlehrer	6,313,457 B1	11/2001	Bauer
6,046,766 A	4/2000	Sakata	6,313,892 B2	11/2001	Gleckman
6,049,171 A	4/2000	Stam	6,317,057 B1	11/2001	Lee
6,051,956 A	4/2000	Nakashimo	6,317,248 B1	11/2001	Agrawal et al.
6,060,989 A	5/2000	Gehlot	6,320,612 B1	11/2001	Young
6,061,002 A	5/2000	Weber et al.	6,324,295 B1	11/2001	Valery et al.
6,062,920 A	5/2000	Jordan	D451,869 S	12/2001	Knapp et al.
6,064,508 A	5/2000	Forgette et al.	6,329,925 B1	12/2001	Skiver et al.
6,064,509 A	5/2000	Tonar et al.	6,330,511 B2	12/2001	Ogura et al.
6,067,111 A	5/2000	Hahn et al.	6,335,548 B1	1/2002	Roberts
6,068,380 A	5/2000	Lynn et al.	6,335,680 B1	1/2002	Matsuoka
6,072,391 A	6/2000	Suzuki et al.	6,344,805 B1	2/2002	Yasui et al.
6,078,355 A	6/2000	Zengel	6,348,858 B2	2/2002	Weis et al.
6,084,700 A	7/2000	Knapp	6,349,782 B1	2/2002	Sekiya et al.
6,097,023 A	8/2000	Schofield et al.	6,356,206 B1	3/2002	Takenaga et al.
6,102,546 A	8/2000	Carter	6,356,376 B1	3/2002	Tonar
6,106,121 A	8/2000	Buckley et al.	6,357,883 B1	3/2002	Strumolo et al.
6,111,498 A	8/2000	Jobes et al.	6,359,274 B1	3/2002	Nixon
6,111,683 A	8/2000	Cammenga	6,363,326 B1	3/2002	Scully
6,111,684 A	8/2000	Forgette	6,369,701 B1	4/2002	Yoshida et al.
6,115,651 A	9/2000	Cruz	6,379,013 B1	4/2002	Bechtel
6,122,597 A	9/2000	Saneyoshi et al.	6,392,783 B1	5/2002	Lompfrey
6,128,576 A	10/2000	Nishimoto et al.	6,396,040 B1	5/2002	Hill
			6,396,397 B1	5/2002	Bos et al.
			6,402,328 B1	6/2002	Bechtel
			6,403,942 B1	6/2002	Stam
			6,407,468 B1	6/2002	LeVesque et al.

(56)

References Cited

U.S. PATENT DOCUMENTS

2008/0192132	A1	8/2008	Bechtel et al.
2008/0247192	A1	10/2008	Hoshi et al.
2008/0294315	A1	11/2008	Breed
2008/0302657	A1	12/2008	Luten et al.
2009/0015736	A1	1/2009	Weller et al.
2009/0141516	A1	6/2009	Wu et al.
2009/0296190	A1	12/2009	Anderson et al.
2010/0110553	A1	5/2010	Anderson et al.
2010/0201896	A1	8/2010	Ostreko et al.
2010/0277786	A1	11/2010	Anderson et al.
2011/0168687	A1	7/2011	Door
2011/0176323	A1	7/2011	Skiver et al.
2011/0181727	A1	7/2011	Weller et al.
2012/0038964	A1	2/2012	De Wind et al.
2012/0069444	A1	3/2012	Campbell et al.
2012/0229882	A1	9/2012	Fish, Jr. et al.
2012/0236388	A1	9/2012	De Wind et al.
2013/0028473	A1	1/2013	Hilldore et al.
2013/0279014	A1	10/2013	Fish, Jr. et al.
2014/0022390	A1	1/2014	Blank et al.
2014/0043479	A1	2/2014	Busch et al.
2014/0192431	A1	7/2014	Sloterbeek et al.
2014/0347488	A1	11/2014	Tazaki et al.

FOREIGN PATENT DOCUMENTS

EP	0899157	A1	3/1999
EP	0899157	B1	10/2004
GB	2338363		12/1999
JP	1178693		3/1999
JP	2002096685	A	4/2002
JP	2002200936	A	7/2002
JP	2005148119		6/2005
JP	2005327600		11/2005
JP	2008139819	A	6/2008
JP	2009542505	A	12/2009
JP	2013244753	A	12/2013
WO	9621581		7/1996
WO	2007103573	A2	9/2007
WO	2010090964		8/2010

OTHER PUBLICATIONS

Adler, "A New Automotive AMLCD Module," Proceedings of the Vehicle Display Symposium, Nov. 2, 1995, pp. 67-71, Society for Information Display, Detroit Chapter, Santa Ana, CA.

Sayer, et al., "In-Vehicle Displays for Crash Avoidance and Navigation Systems," Proceedings of the Vehicle Display Symposium, Sep. 18, 1996, pp. 39-42, Society for Information Display, Detroit Chapter, Santa Ana, CA.

Knoll, et al., "Application of Graphic Displays in Automobiles," SID 87 Digest, 1987, pp. 41-44, 5A.2.

Terada, et al., "Development of Central Information Display of Automotive Application," SID 89 Digest, 1989, pp. 192-195, Society for Information Display, Detroit Center, Santa Ana, CA.

Thomsen, et al., "AMLCD Design Considerations for Avionics and Vetrronics Applications," Proceedings of the 5th Annual Flat Panel Display Strategic and Technical Symposium, Sep. 9-10, 1998, pp. 139-145, Society for Information Display, Metropolitan Detroit Chapter, CA.

Knoll, et al., "Conception of an Integrated Driver Information System," SID International Symposium Digest of Technical Papers, 1990, pp. 126-129, Society for Information Display, Detroit Center, Santa Ana, CA.

Vincen, "An Analysis of Direct-View FPDs for Automotive Multi-Media Applications," Proceedings of the 6th Annual Strategic and Technical Symposium "Vehicular Applications of Displays and Microsensors," Sep. 22-23, 1999, pp. 39-46, Society for Information Display, Metropolitan Detroit Chapter, San Jose, CA.

Zuk, et al., "Flat Panel Display Applications in Agriculture Equipment," Proceedings of the 5th Annual Flat Panel Display Strategic and Technical Symposium, Sep. 9-10, 1998, pp. 125-130, Society for Information Display, Metropolitan Detroit Chapter, CA.

Vijan, et al., "A 1.7-Mpixel Full-Color Diode Driven AM-LCD," SID International Symposium, 1990, pp. 530-533, Society for Information Display, Playa del Rey, CA.

Vincen, "The Automotive Challenge to Active Matrix LCD Technology," Proceedings of the Vehicle Display Symposium, 1996, pp. 17-21, Society for Information Display, Detroit Center, Santa Ana, CA.

Corsi, et al., "Reconfigurable Displays Used as Primary Automotive Instrumentation," SAE Technical Paper Series, 1989, pp. 13-18, Society of Automotive Engineers, Inc., Warrendale, PA.

Schumacher, "Automotive Display Trends," SID 96 Digest, 1997, pp. 1-6, Delco Electronics Corp., Kokomo, IN.

Knoll, "The Use of Displays in Automotive Applications," Journal of the SID 5/3 1997, pp. 165-172, 315-316, Stuttgart, Germany.

Donofrio, "Looking Beyond the Dashboard," SID 2002, pp. 30-34, Ann Arbor, MI.

Stone, "Automotive Display Specification," Proceedings of the Vehicle Display Symposium, 1995, pp. 93-96, Society for Information Display, Detroit Center, Santa Ana, CA.

* cited by examiner

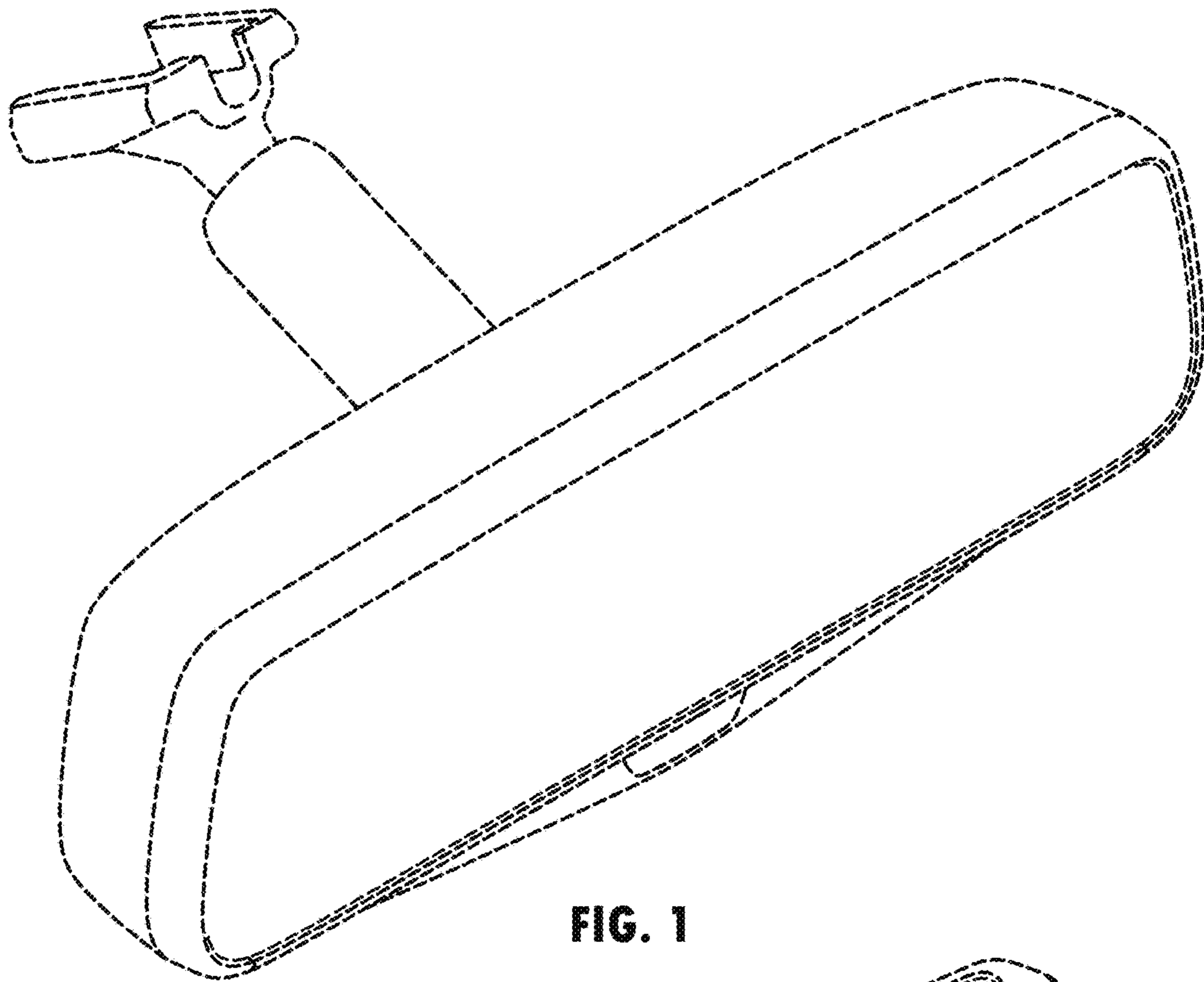


FIG. 1

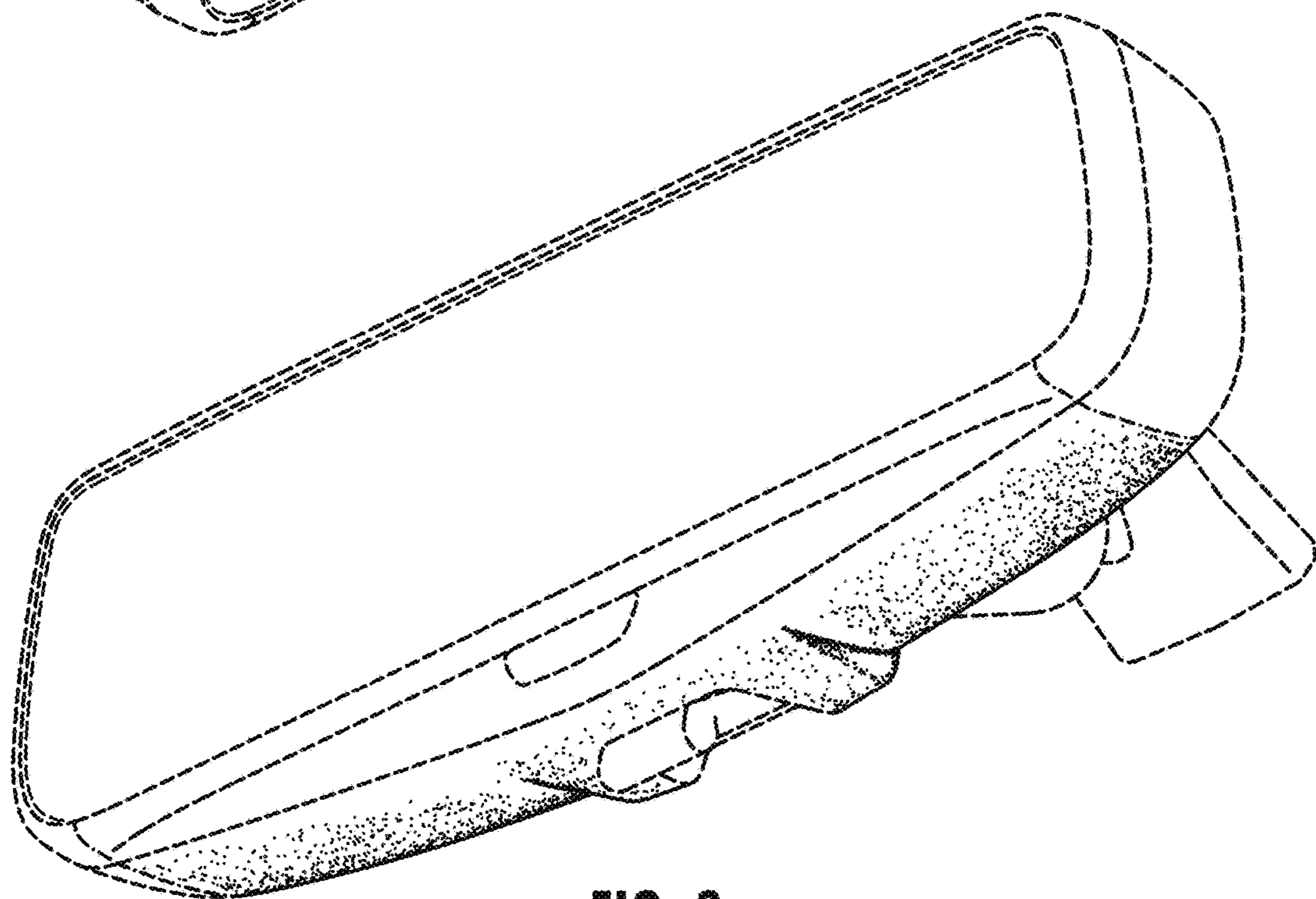


FIG. 2

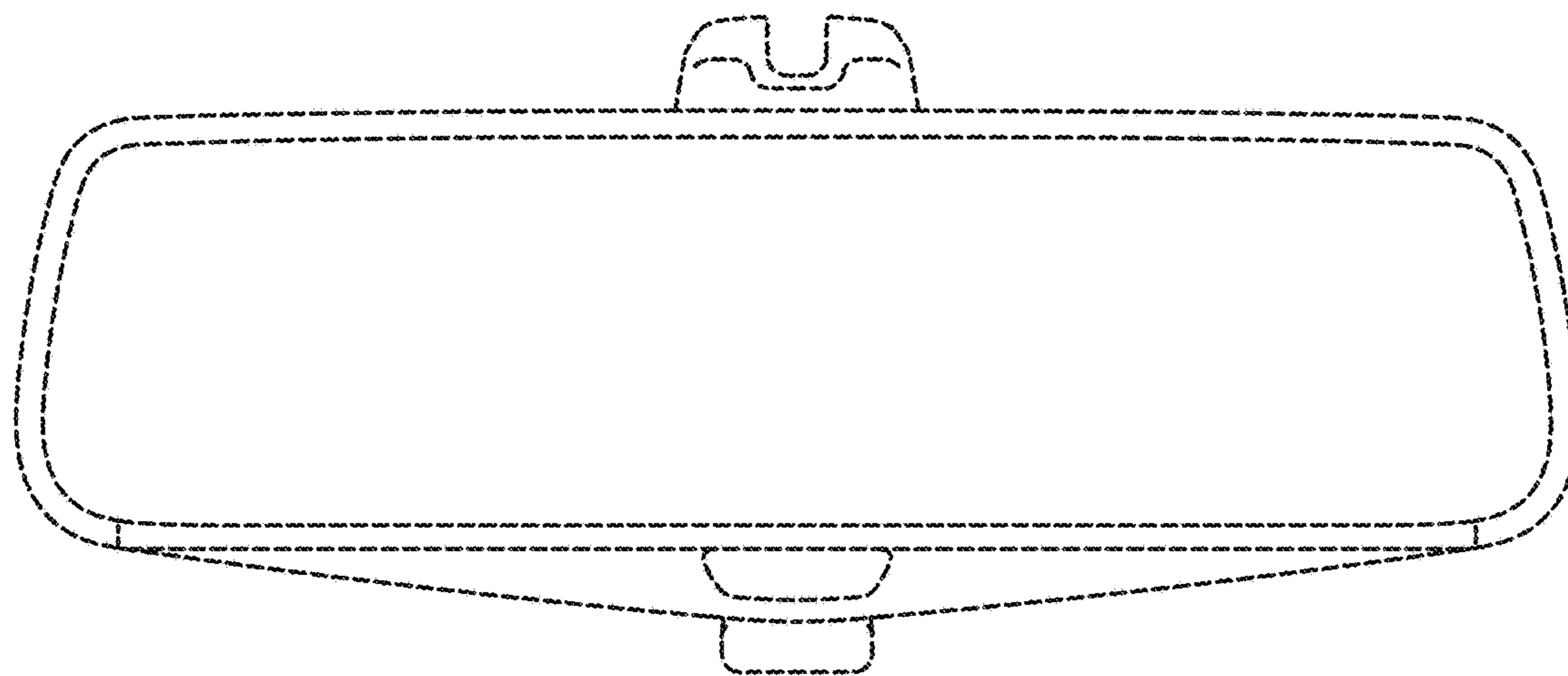


FIG. 3

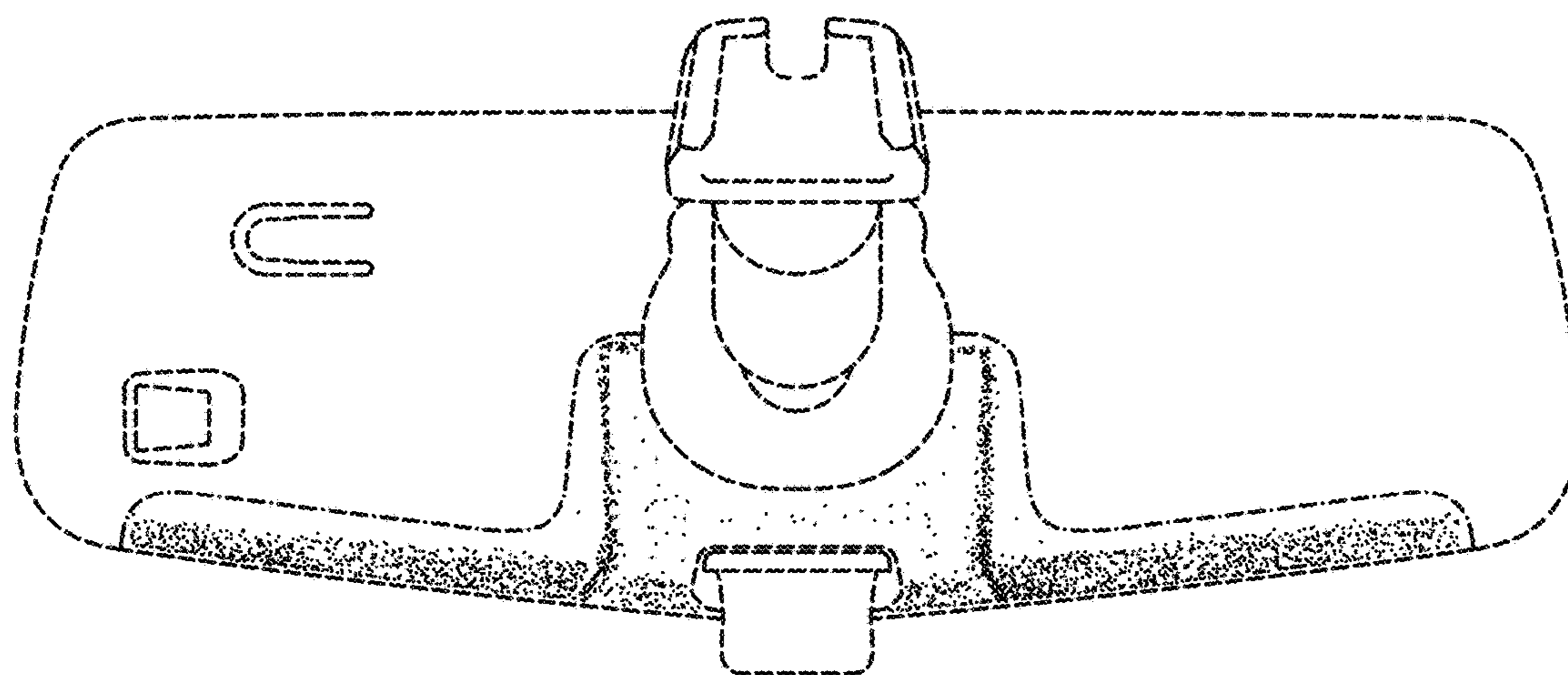


FIG. 4

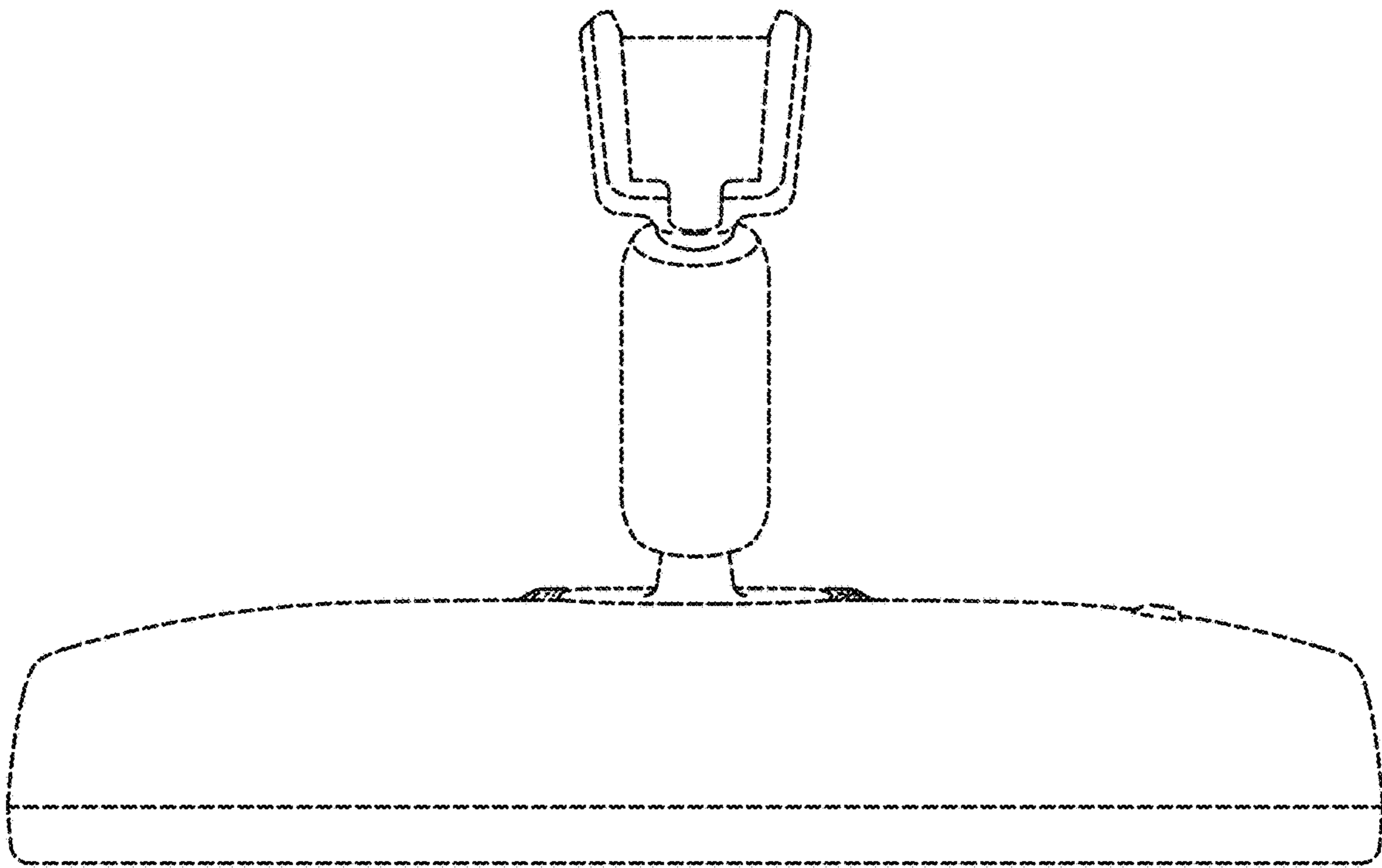


FIG. 5

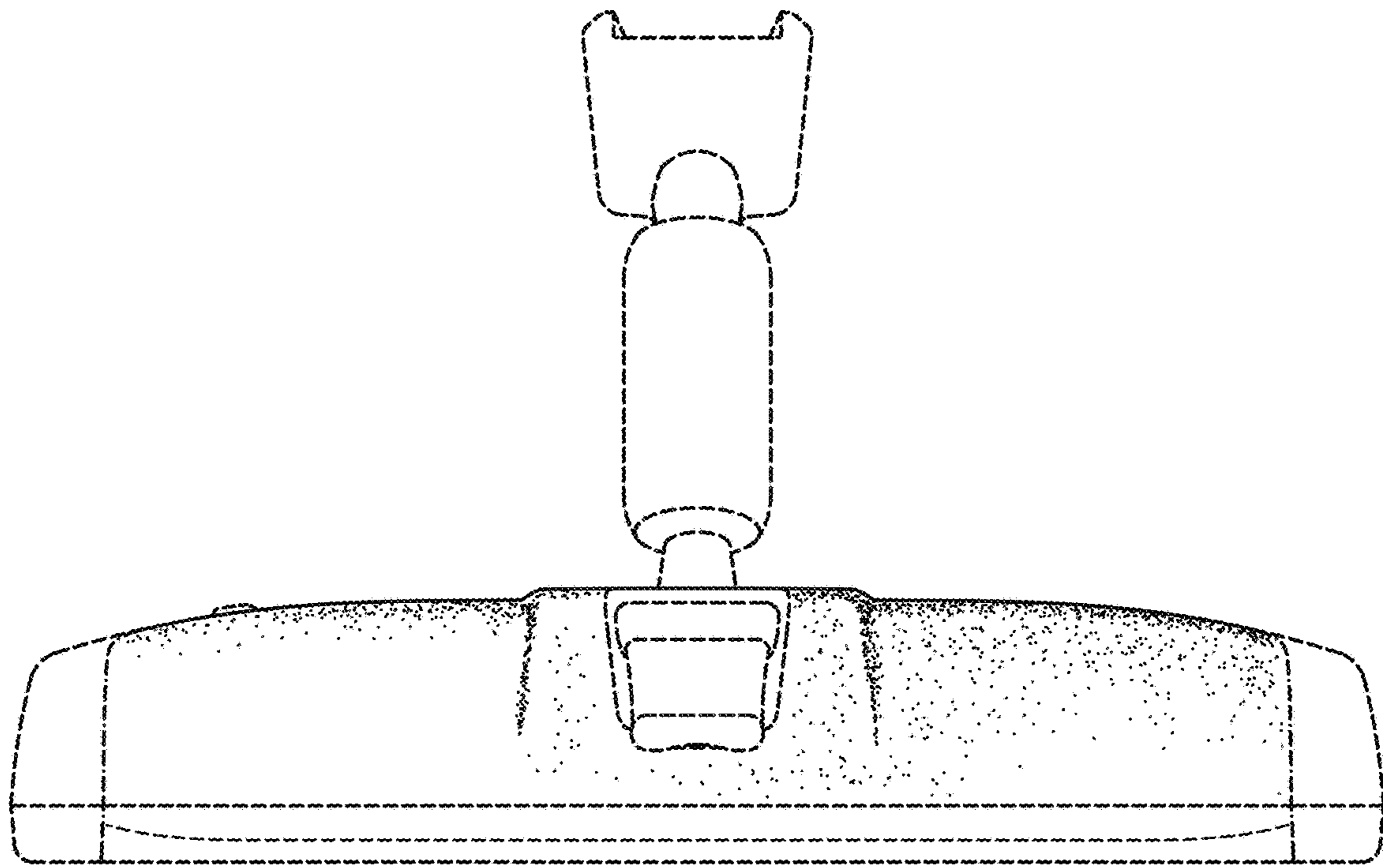


FIG. 6

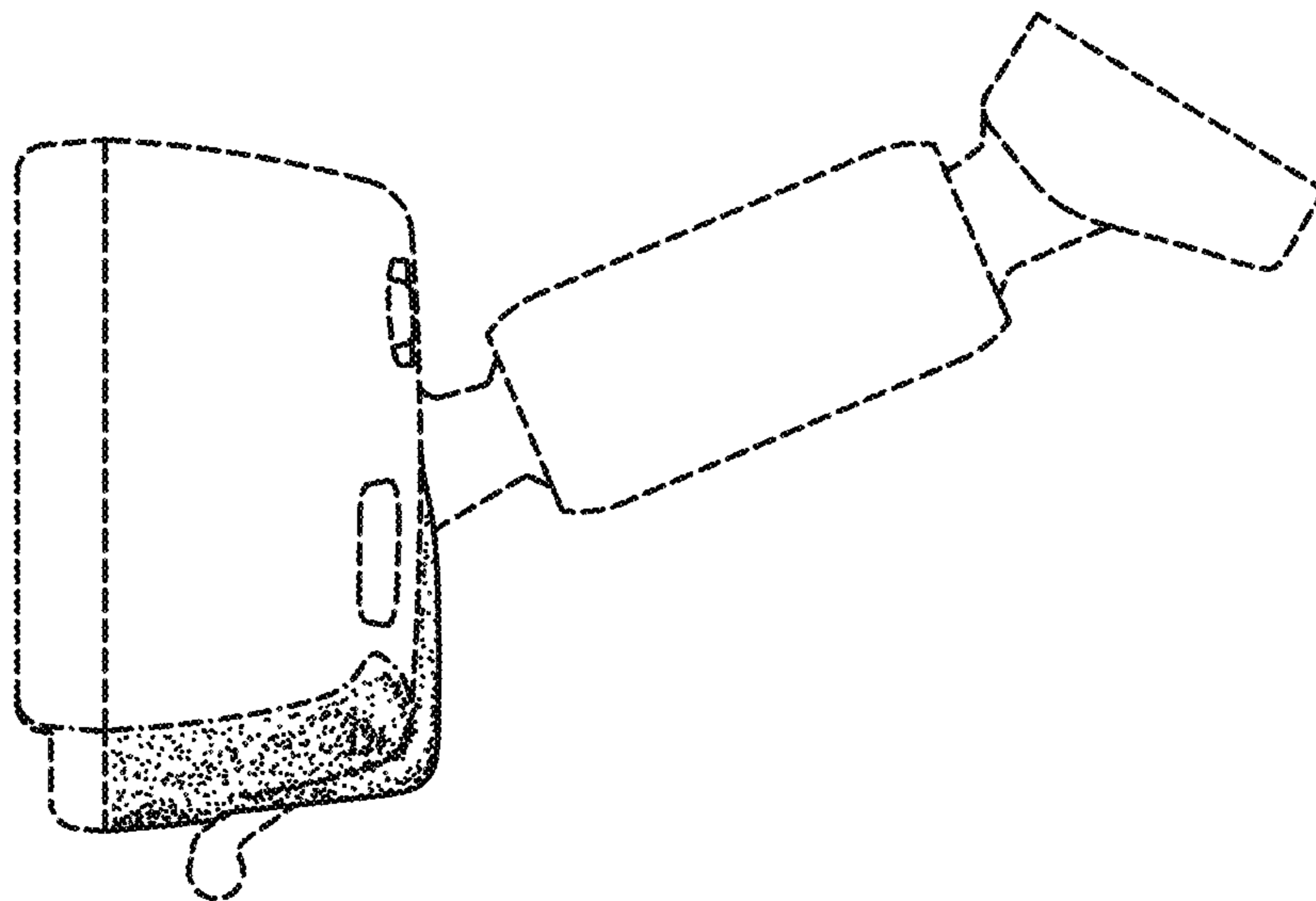


FIG. 7

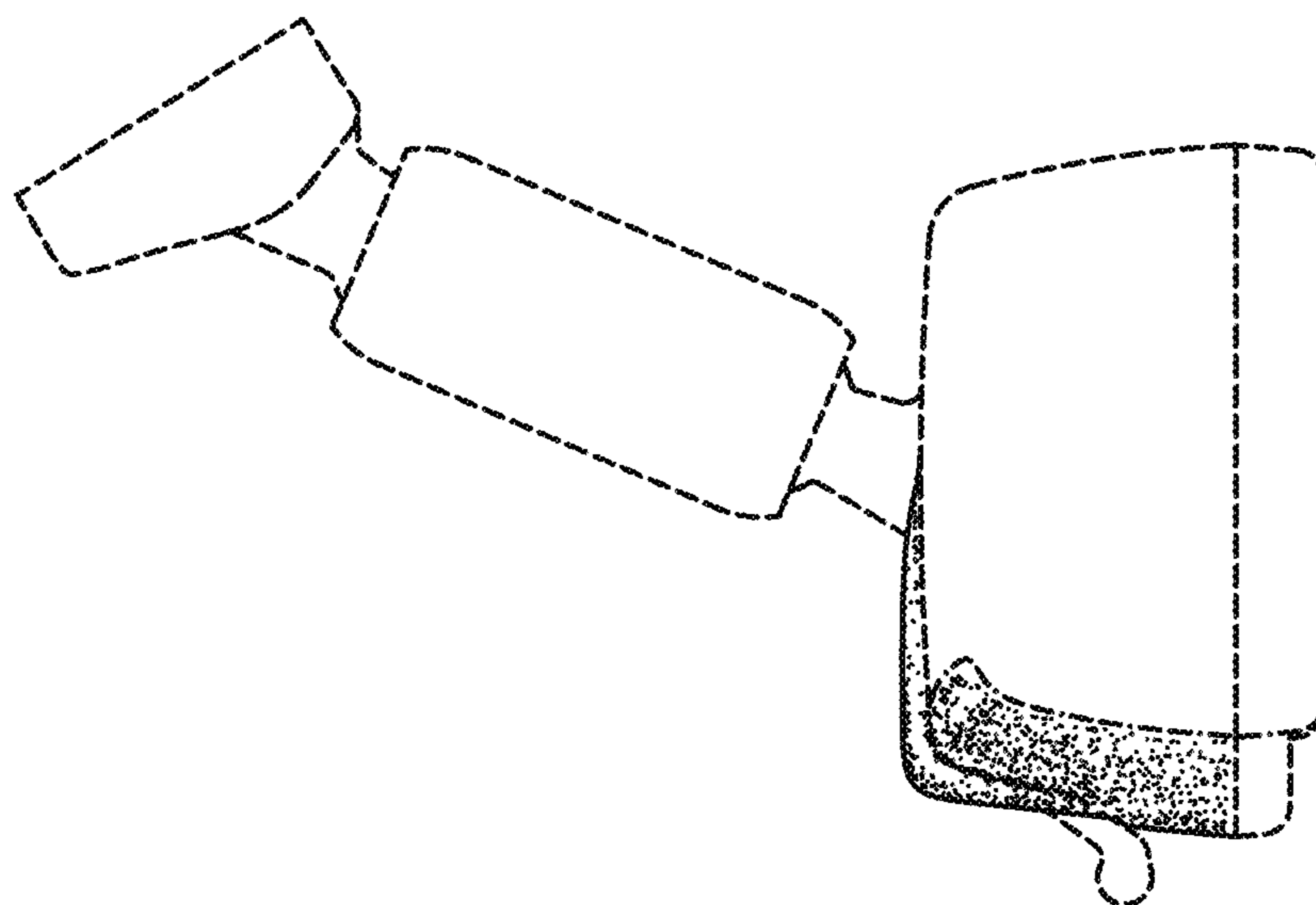


FIG. 8