



US00D783479S

(12) **United States Design Patent** (10) **Patent No.:** **US D783,479 S**
Hamlin et al. (45) **Date of Patent:** **** Apr. 11, 2017**

(54) **INSIDE REARVIEW ASSEMBLY**
(71) Applicant: **Gentex Corporation**, Zeeland, MI (US)
(72) Inventors: **Bradley R. Hamlin**, Allendale, MI (US); **Richard T. Fish, Jr.**, Hudsonville, MI (US)
(73) Assignee: **GENTEX CORPORATION**, Zeeland, MI (US)
(**) Term: **15 Years**
(21) Appl. No.: **29/549,303**
(22) Filed: **Dec. 21, 2015**

D493,394 S 7/2004 Lawlor et al.
D499,678 S 12/2004 Bradley
6,902,284 B2 6/2005 Hutzler et al.
D553,061 S 10/2007 Schmidt et al.
D575,708 S * 8/2008 Courbon D12/187
D610,060 S * 2/2010 Meier D12/187
D659,617 S 5/2012 Brockington
D686,126 S * 7/2013 Balicki D12/187
D717,704 S * 11/2014 Petroff D12/187
D761,171 S * 7/2016 Roth D12/187
D761,174 S * 7/2016 Hamlin D12/187
D761,708 S * 7/2016 Hamlin D12/187
D763,150 S * 8/2016 Kratzer D12/187
D763,756 S * 8/2016 Enz D12/187
2014/0192431 A1 7/2014 Sloterbeek et al.

* cited by examiner

Primary Examiner — Katrina A Betton
(74) *Attorney, Agent, or Firm* — Price Heneveld LLP; Bradley D. Johnson

Related U.S. Application Data

(63) Continuation of application No. 29/513,519, filed on Dec. 31, 2014, now Pat. No. Des. 746,198.
(51) **LOC (10) Cl.** **12-16**
(52) **U.S. Cl.**
USPC **D12/187**
(58) **Field of Classification Search**
USPC D12/187, 188, 189; D6/300, 309
CPC B60R 1/076; G02B 7/182; G02B 5/08; G02B 7/18
See application file for complete search history.

(57) **CLAIM**

We claim the ornamental design for an inside rearview assembly, as shown and described.

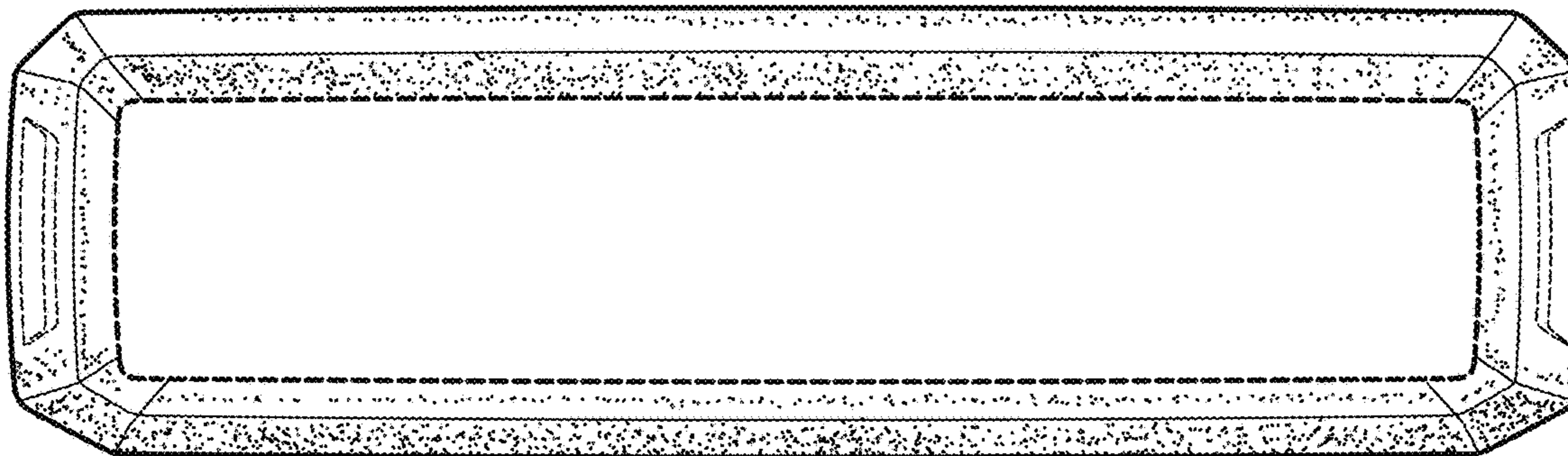
DESCRIPTION

FIG. 1 is a front perspective view of an inside rearview assembly of the present disclosure;
FIG. 2 is a front elevational view of the inside rearview assembly of FIG. 1;
FIG. 3 is a side elevational view of the inside rearview assembly of FIG. 1;
FIG. 4 is a top plan view of the inside rearview assembly of FIG. 1; and,
FIG. 5 is a bottom plan view of the inside rearview assembly of FIG. 1.
The broken lines depict portions of the article that form no part of the claimed design.

1 Claim, 2 Drawing Sheets

(56) **References Cited**
U.S. PATENT DOCUMENTS

D283,998 S 5/1986 Tanaka
4,630,904 A 12/1986 Pastore
D346,356 S 4/1994 Leu
D400,481 S 11/1998 Stephens et al.
D401,200 S 11/1998 Huang
D451,869 S 12/2001 Knapp et al.
D471,847 S 3/2003 Rumsey et al.
D493,131 S 7/2004 Lawlor et al.



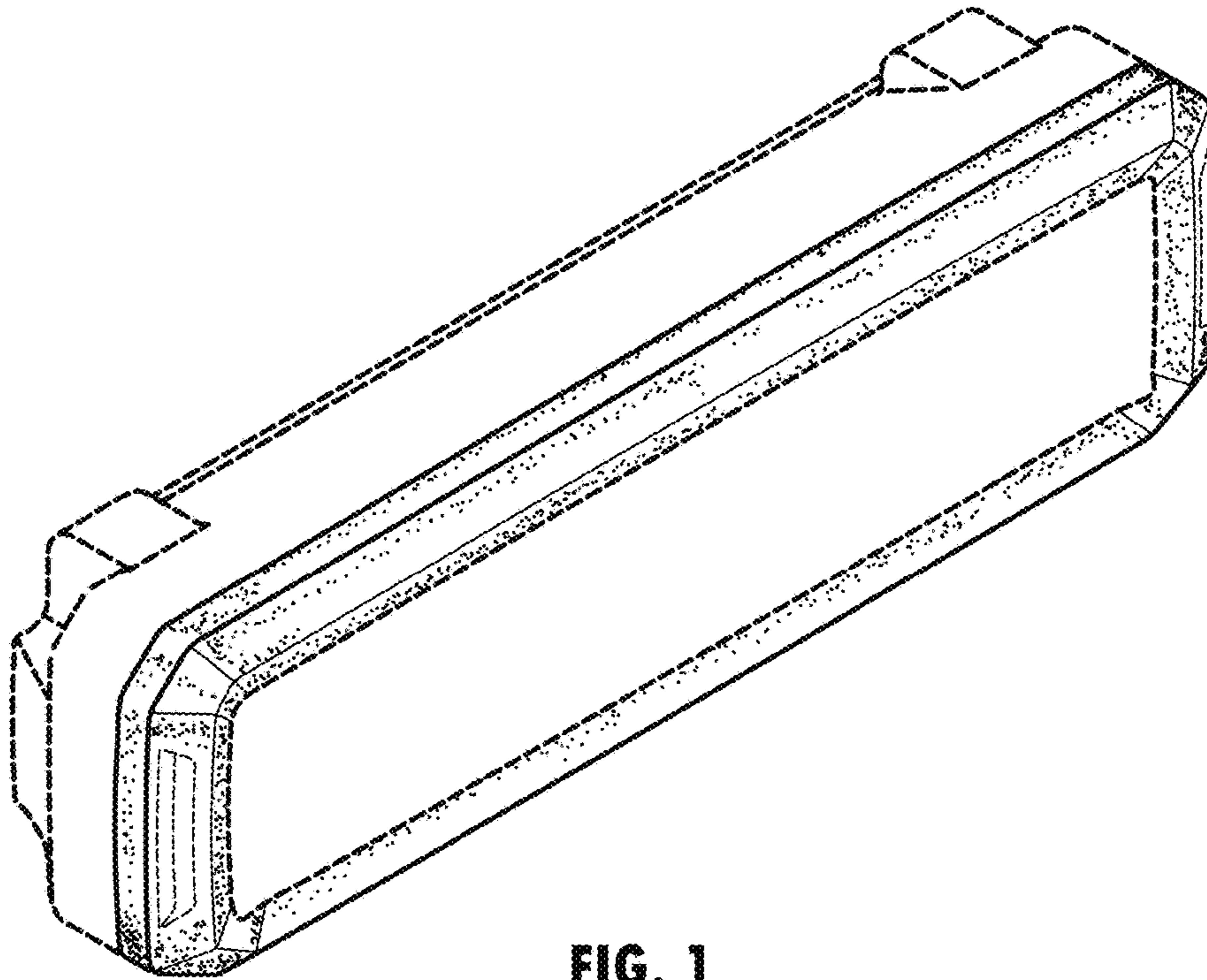


FIG. 1

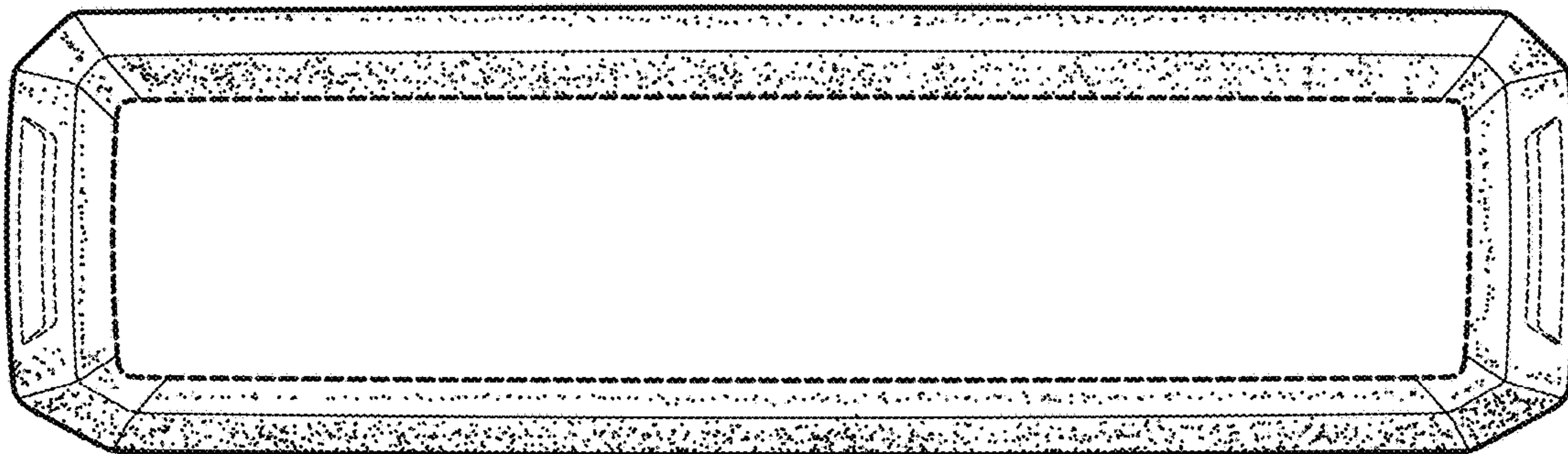


FIG. 2

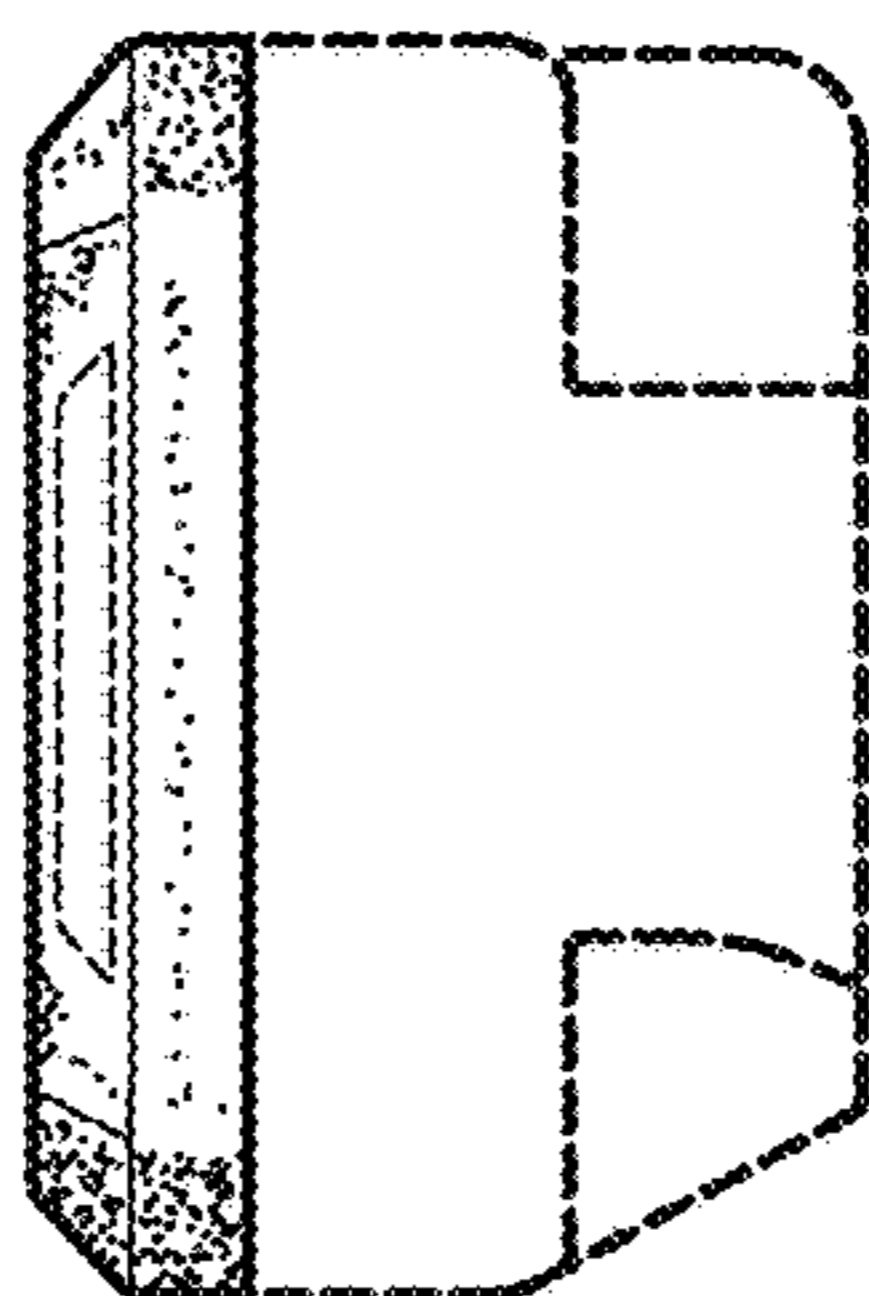


FIG. 3

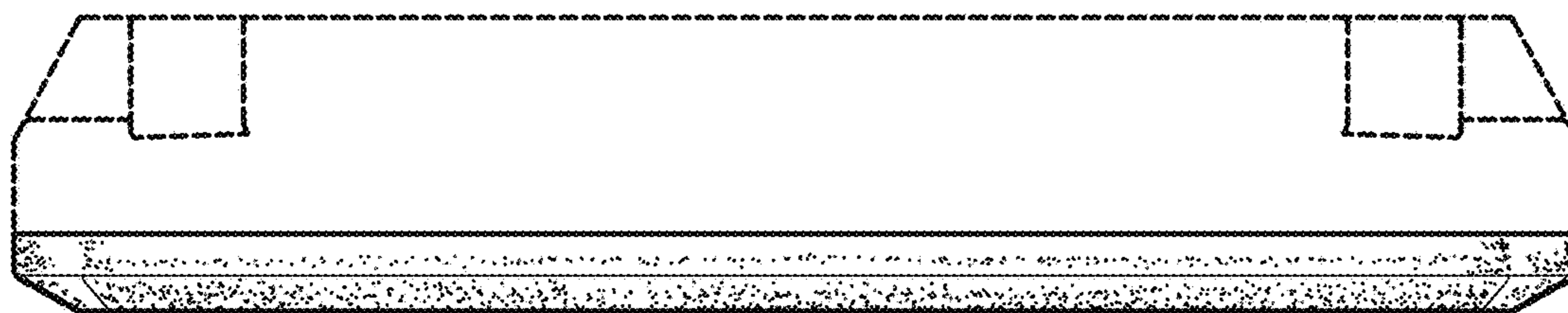


FIG. 4

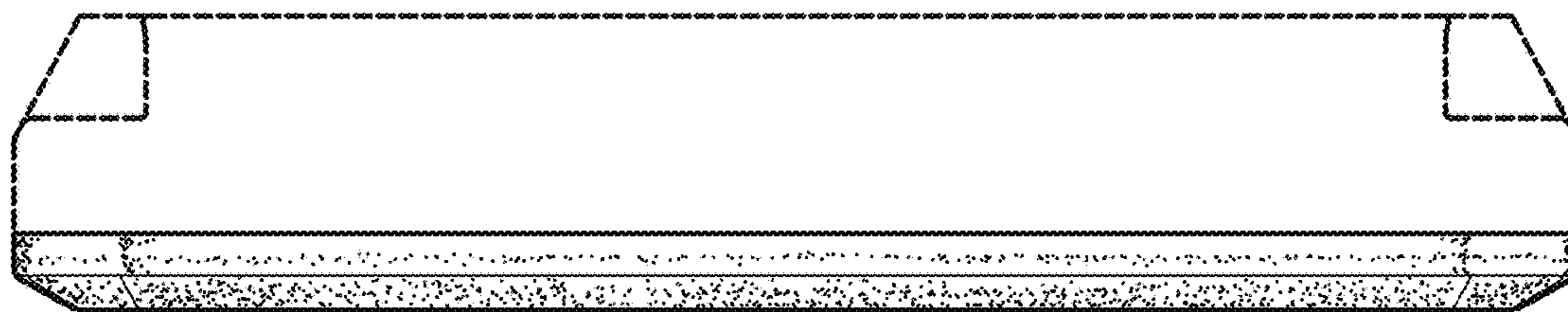


FIG. 5