



US00D783477S

(12) **United States Design Patent**
Dennis

(10) **Patent No.:** **US D783,477 S**
(45) **Date of Patent:** **** Apr. 11, 2017**

- (54) **GRIP BAR MIRROR ASSEMBLY**
- (71) Applicant: **Lucerix International Corporation,**
Oakville (CA)
- (72) Inventor: **Craig Dennis,** Oakville (CA)
- (**) Term: **15 Years**
- (21) Appl. No.: **29/542,390**
- (22) Filed: **Oct. 14, 2015**
- (51) **LOC (10) Cl.** **12-16**
- (52) **U.S. Cl.**
USPC **D12/187**
- (58) **Field of Classification Search**
USPC D12/186-189
CPC B60R 1/006; B62J 29/00
See application file for complete search history.
- (56) **References Cited**

U.S. PATENT DOCUMENTS

- D247,292 S * 2/1978 Brown 359/842
- 4,135,788 A * 1/1979 Sargis B62J 29/00
248/475.1
- 4,380,369 A * 4/1983 Schacht G02B 7/1824
248/475.1

- 4,715,681 A * 12/1987 Johnson B62J 29/00
359/526
- D365,073 S * 12/1995 Nagano D12/114
- 5,644,439 A * 7/1997 Shiba B62J 17/04
359/527
- 6,634,758 B2 * 10/2003 Preis B62J 29/00
359/842
- D633,424 S * 3/2011 Enz D12/187
- D734,227 S * 7/2015 Broadstreet D12/187

* cited by examiner

Primary Examiner — Philip S Hyder

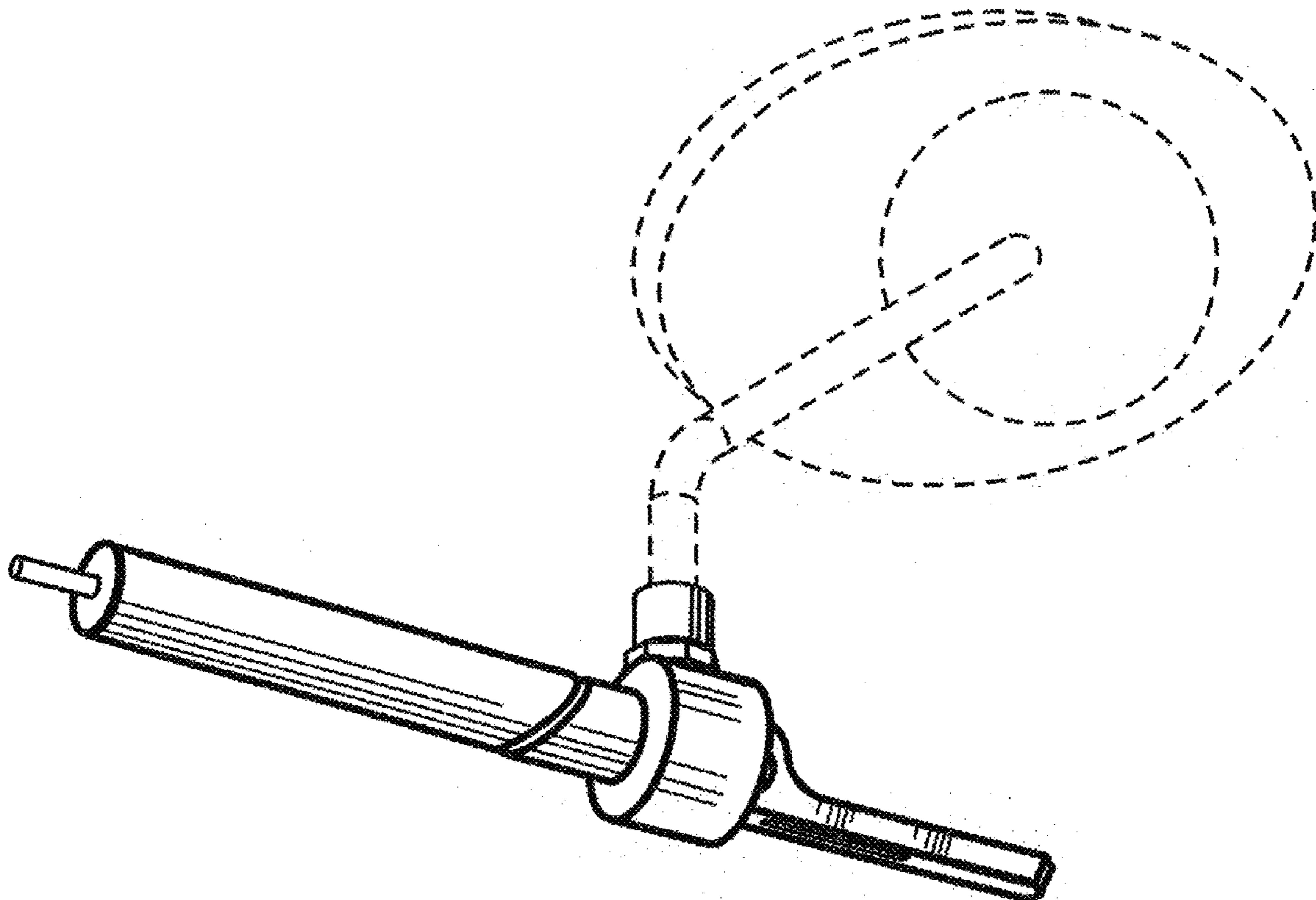
(57) **CLAIM**

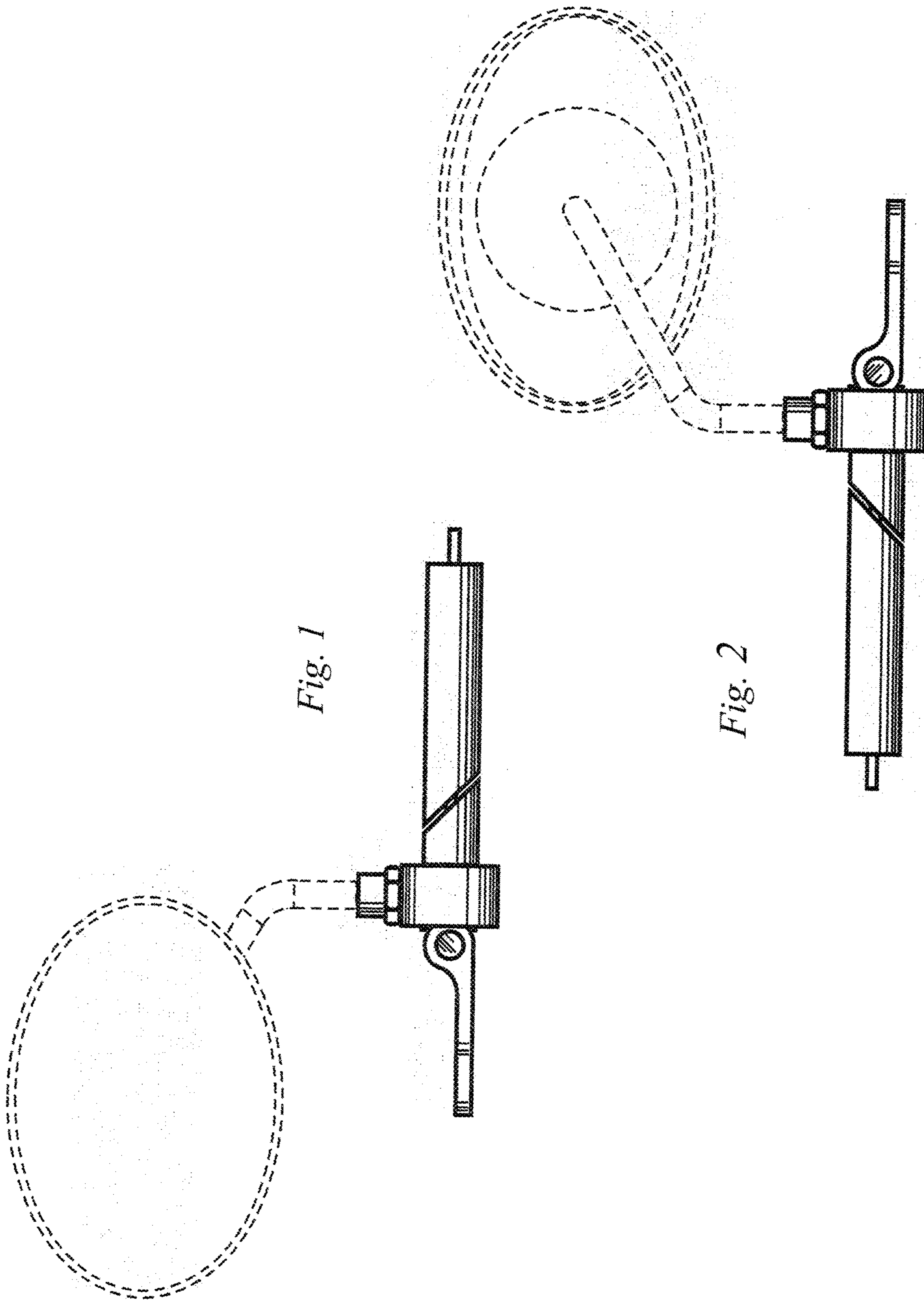
The ornamental design for a grip bar mirror assembly, as shown and described.

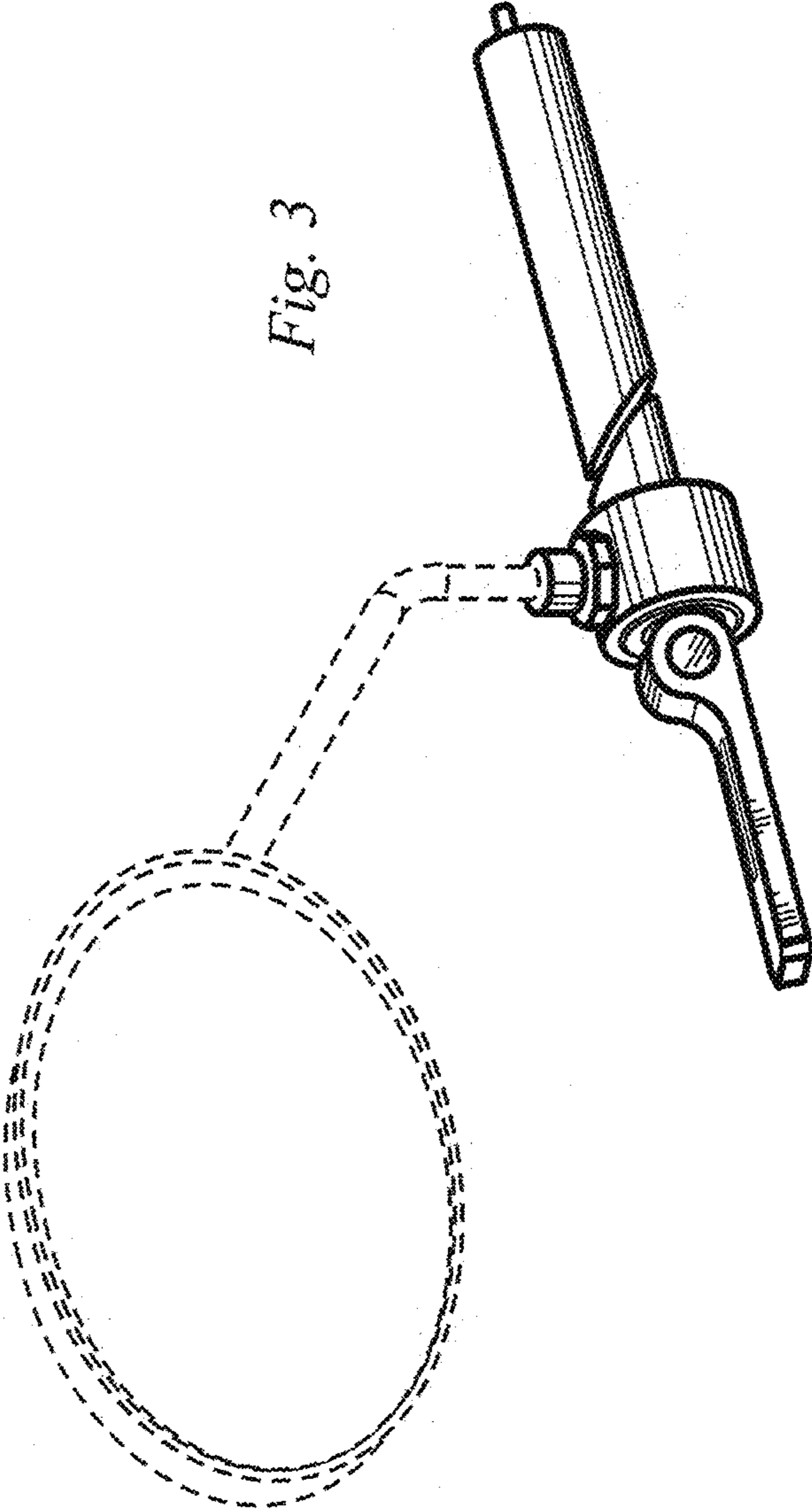
DESCRIPTION

FIG. 1 is a front elevational view of the present design a grip bar mirror assembly.
 FIG. 2 is a back elevational view of the present design a grip bar mirror assembly.
 FIG. 3 is a front perspective view of the present design a grip bar mirror assembly; and,
 FIG. 4 is a back perspective view of the present design a grip bar mirror assembly.
 The broken lines depict portions of the grip bar mirror assembly in which the design is embodied that are not considered part of the claimed design.

1 Claim, 3 Drawing Sheets







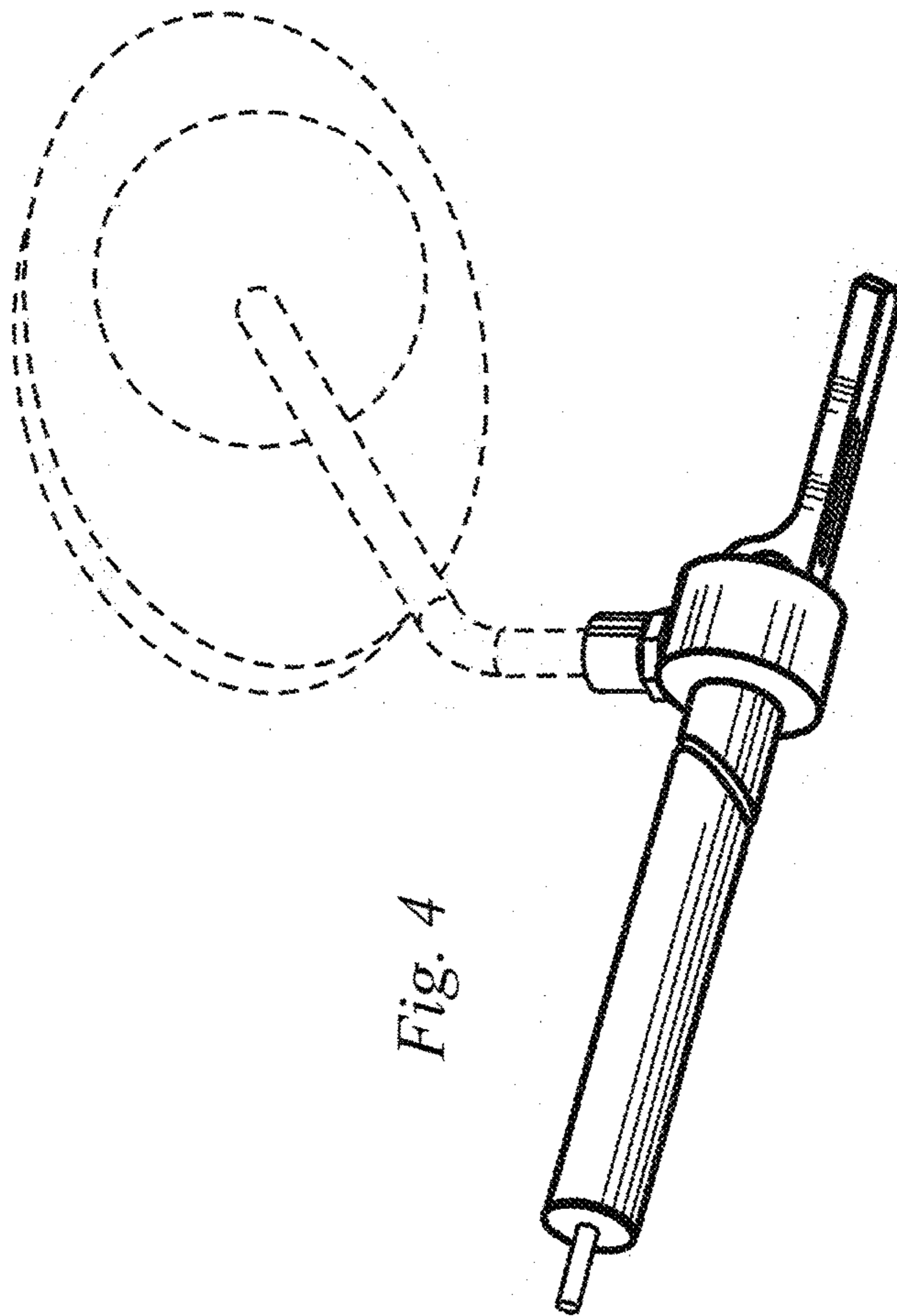


Fig. 4