



US00D783474S

(12) **United States Design Patent**
Dennis et al.

(10) **Patent No.:** **US D783,474 S**
(45) **Date of Patent:** **** Apr. 11, 2017**

(54) **BRAKE**

(71) Applicant: **Ausco Products, Inc.**, Benton Harbor,
MI (US)

(72) Inventors: **Brian P. Dennis**, Kalamazoo, MI (US);
Nancy L. Leonard, Dowagiac, MI
(US); **Howard H. Baldeosingh**,
Stevensville, MI (US)

(73) Assignee: **Ausco Products, Inc.**, Benton Harbor,
MI (US)

(**) Term: **15 Years**

(21) Appl. No.: **29/562,721**

(22) Filed: **Apr. 28, 2016**

(51) **LOC (10) Cl.** **12-16**

(52) **U.S. Cl.**
USPC **D12/179; D12/180**

(58) **Field of Classification Search**
USPC D12/14, 106, 114, 118, 122, 161, 162,
D12/179, 180, 207, 217, 400
CPC ... B60T 1/06; B60T 7/00; B60T 8/265; B60T
11/00; B60T 11/103; B60T 13/00; B60T
13/66; B60T 17/223; B60T 83/255; B60T
2201/00; B60T 2201/03; B60T 2260/00;
B60T 2270/00; B60T 2270/82; B60T
2270/83; B60T 2270/84; B62K 23/06;
B62L 1/02; B62L 3/02; B62D 13/025;
B62D 21/18; B62D 53/045; B62D 63/04;
B62D 65/02; B62D 65/18; F16D 55/00;
F16D 55/226; F16D 65/00; F16D 65/092;

F16D 65/095; F16D 65/097; F16D 65/18;
F16D 65/38; F16D 65/847; B32B 3/06

See application file for complete search history.

(56) **References Cited**

U.S. PATENT DOCUMENTS

1,980,099 A * 11/1934 Schacht E03C 1/306
4/255.04
3,185,256 A * 5/1965 Schilling F16D 55/26
188/152
3,292,746 A * 12/1966 Robinette F16D 65/12
188/218 A

(Continued)

OTHER PUBLICATIONS

Pneumatic clutch-brake unit Series 406-420, image post date Oct.
22, 2014, site visited Dec. 27, 2016, (online), <<https://www.tineye.com/search/2a16d73d26d5cb18be6ee37bd26f1bdd8f044c54/>>.*

(Continued)

Primary Examiner — Kevin Rudzinski

Assistant Examiner — Sean D Lough

(74) *Attorney, Agent, or Firm* — Renner, Kenner, Greive,
Bobak, Taylor & Weber

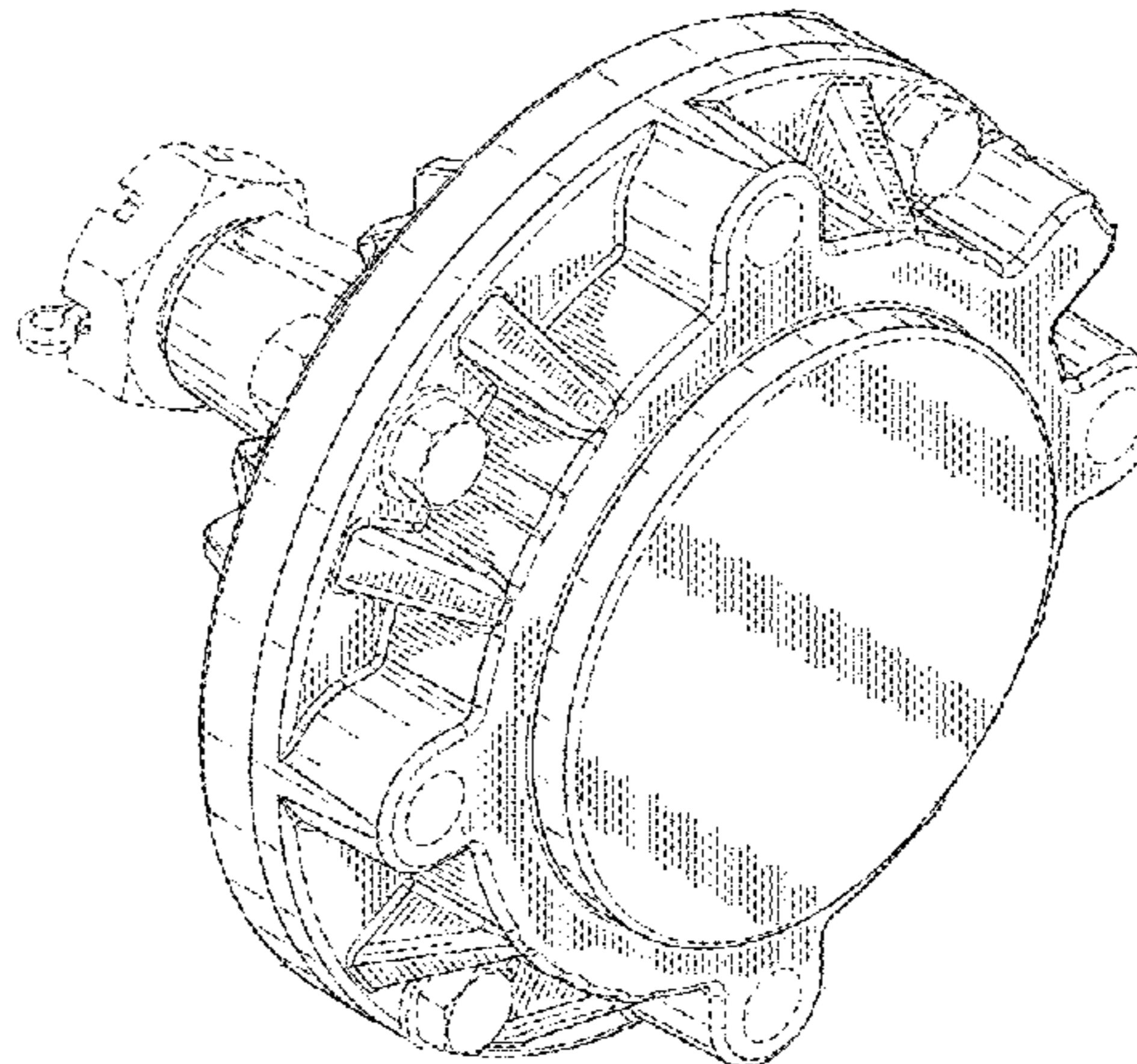
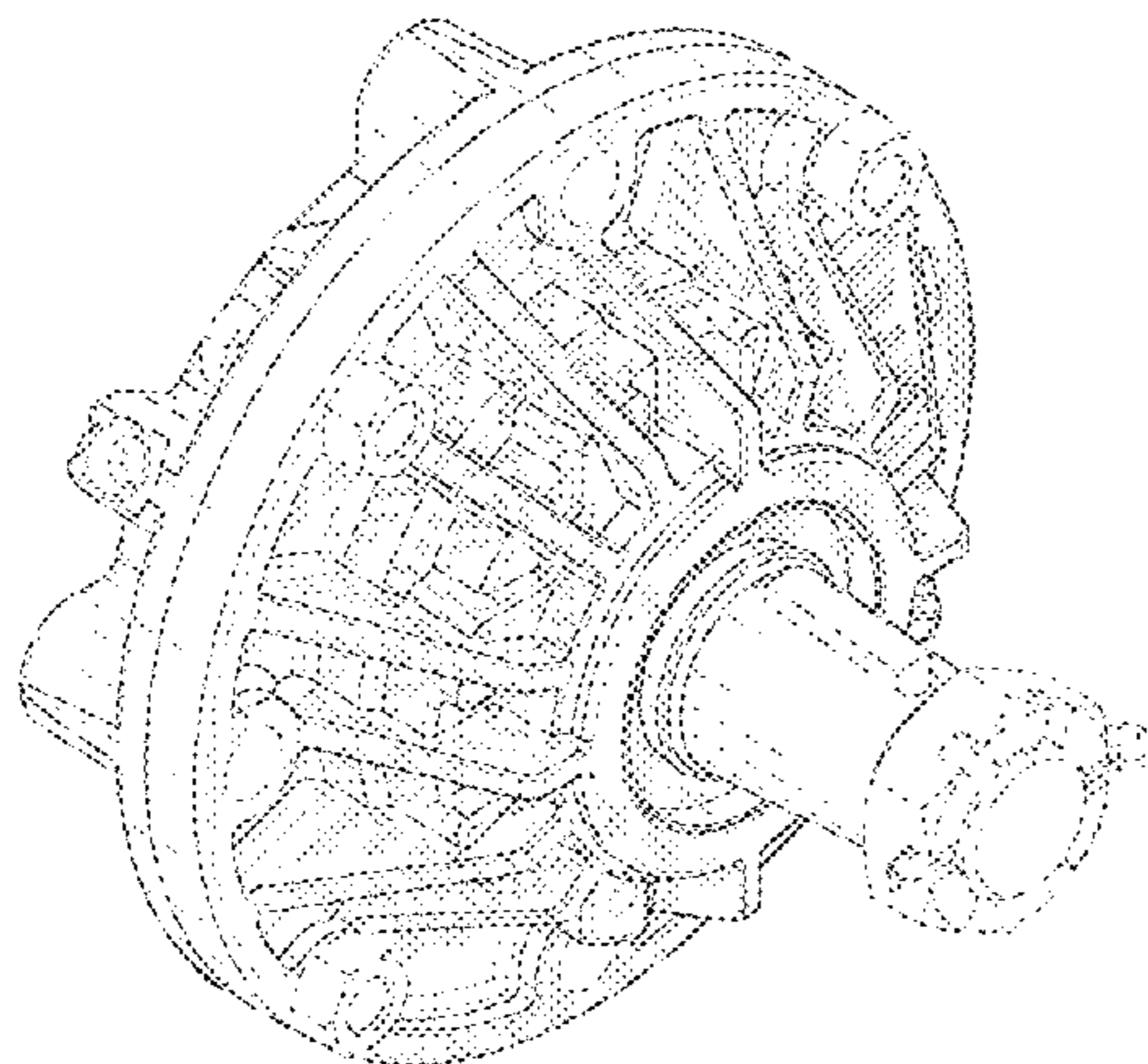
(57) **CLAIM**

The ornamental design for a brake, as shown and described.

DESCRIPTION

FIG. 1 is a top, front, left side perspective view of a brake
showing our new design;
FIG. 2 is a top, rear, right side perspective view thereof;
FIG. 3 is a front elevational view thereof;
FIG. 4 is a rear elevational view thereof;
FIG. 5 is a left side elevational view thereof;
FIG. 6 is a right side elevational view thereof;
FIG. 7 is a top plan view thereof; and,
FIG. 8 is a bottom plan view thereof.

(Continued)



The broken lines in all Fig. views illustrate portions of the brake that form no part of the claimed design.

1 Claim, 8 Drawing Sheets

(56)

References Cited

U.S. PATENT DOCUMENTS

3,379,289 A * 4/1968 Hollnagel F16D 65/18
188/196 P
3,470,663 A * 10/1969 Tate E04F 15/02482
248/188.3
3,584,717 A * 6/1971 Suppes F16D 55/10
188/71.3
D245,688 S * 9/1977 Clapp D12/179
D269,783 S * 7/1983 Heater D15/5
D274,716 S * 7/1984 Mahnig D12/207
4,913,266 A * 4/1990 Russell F16D 3/78
188/18 A
5,178,235 A * 1/1993 Montalvo, III F16D 25/0635
188/18 A
D346,576 S * 5/1994 Steer D12/180
5,383,537 A * 1/1995 White F16D 65/0006
188/218 R
D357,650 S * 4/1995 Evans D12/106
D396,396 S * 7/1998 Larson D8/303
D417,178 S * 11/1999 Gallagher D12/180
D440,022 S * 4/2001 Simpson D34/31
D445,077 S * 7/2001 Lovitt, Jr. D12/207
6,516,924 B1 * 2/2003 Michael F16D 55/40
188/170
7,017,718 B2 * 3/2006 Gotti F16D 65/123
188/218 XL
D531,082 S * 10/2006 Belokin D11/143
D558,107 S * 12/2007 Horner D12/180
7,303,053 B2 * 12/2007 McCurdy, Jr. F16D 25/088
188/153 D
D575,713 S * 8/2008 Ratcliffe D12/197
D576,932 S * 9/2008 Strehler D12/180
7,871,134 B2 * 1/2011 Hofmann B60B 27/00
301/105.1
7,909,147 B1 * 3/2011 Schnell F16D 65/853
188/264 CC

D650,513 S * 12/2011 Blincoe D26/118
D652,156 S * 1/2012 Li D26/2
D657,088 S * 4/2012 Miro D26/85
D669,613 S * 10/2012 Wung D26/2
D678,040 S * 3/2013 Shikama D8/360
D696,931 S * 1/2014 Rodenhouse D8/399
D702,174 S * 4/2014 Gordon D12/213
D702,867 S * 4/2014 Kim D26/72
9,133,892 B2 * 9/2015 Barnholt F16D 13/757
9,187,071 B2 * 11/2015 Vinck F16D 55/226
D746,392 S * 12/2015 Maigret D21/779
D749,482 S * 2/2016 Schroeder D12/207
9,322,444 B2 * 4/2016 Du F16D 65/128
9,429,227 B2 * 8/2016 Noerenberg F16H 57/10
2002/0020984 A1 * 2/2002 Dunkley B60T 1/10
280/215
2004/0035314 A1 * 2/2004 Muchalov B60S 13/02
104/44
2007/0045059 A1 * 3/2007 Dennis F16D 65/186
188/71.5
2009/0095581 A1 * 4/2009 Dennis F16D 65/18
188/73.43
2011/0127135 A1 * 6/2011 Grogg B60K 17/35
192/48.1
2013/0062928 A1 * 3/2013 Crawford B60T 1/065
301/105.1
2013/0112514 A1 * 5/2013 Hanna F16D 65/12
188/218 XL
2014/0137765 A1 * 5/2014 Nishimura B61F 5/52
105/182.1
2015/0021128 A1 * 1/2015 White F16D 65/128
188/218 XL
2015/0246727 A1 * 9/2015 Masticola B64C 39/024
701/2
2015/0352477 A1 * 12/2015 Fujii B01D 45/14
55/447

OTHER PUBLICATIONS

Spring brakes, image post date Nov. 8, 2015, site visited Dec. 27, 2016, (online), <<http://web.archive.org/web/20151108081412/http://www.directindustry.com/industrial-manufacturer/spring-brake-111378.html>>.*

* cited by examiner

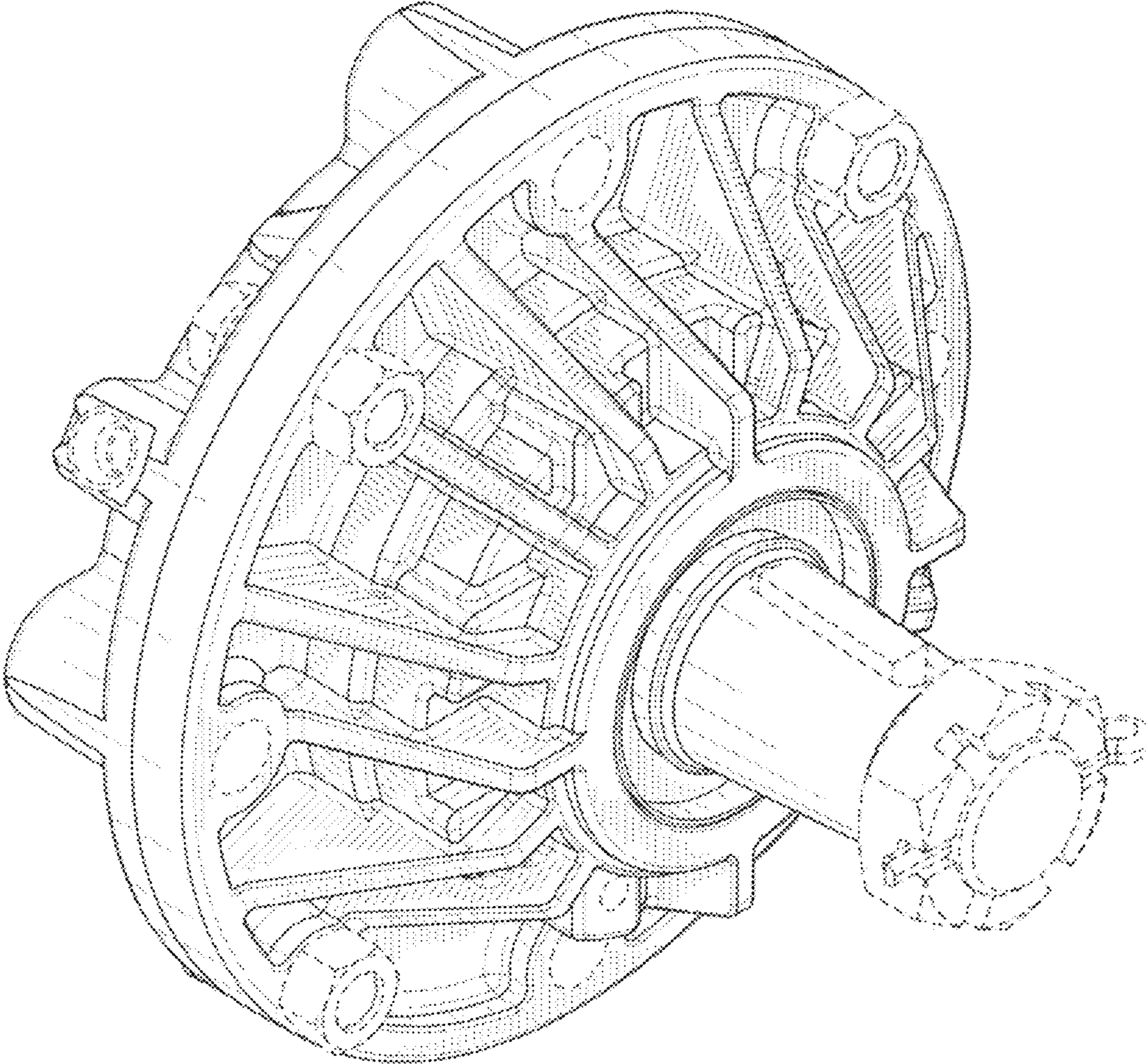


FIG. 1

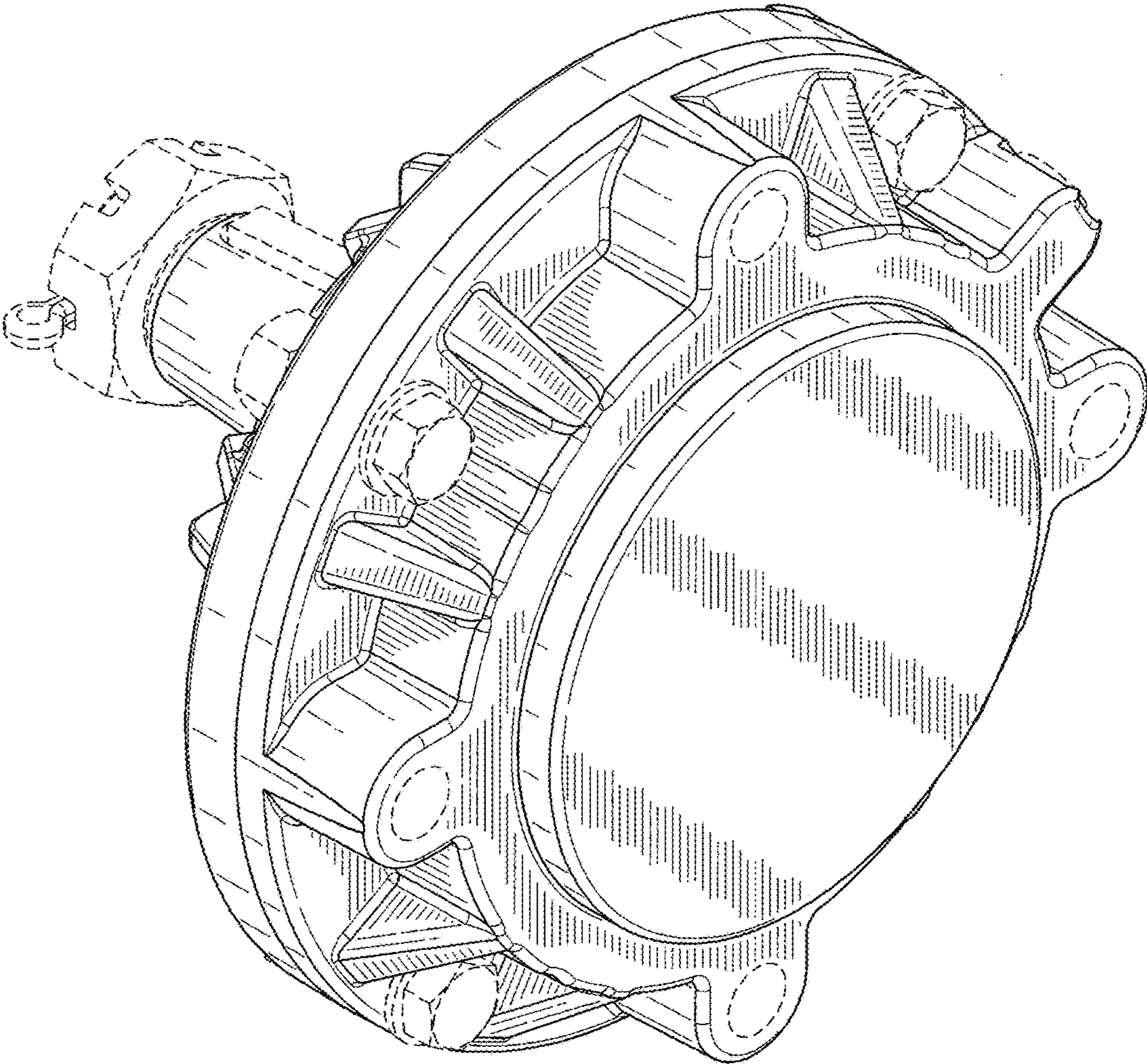


FIG. 2

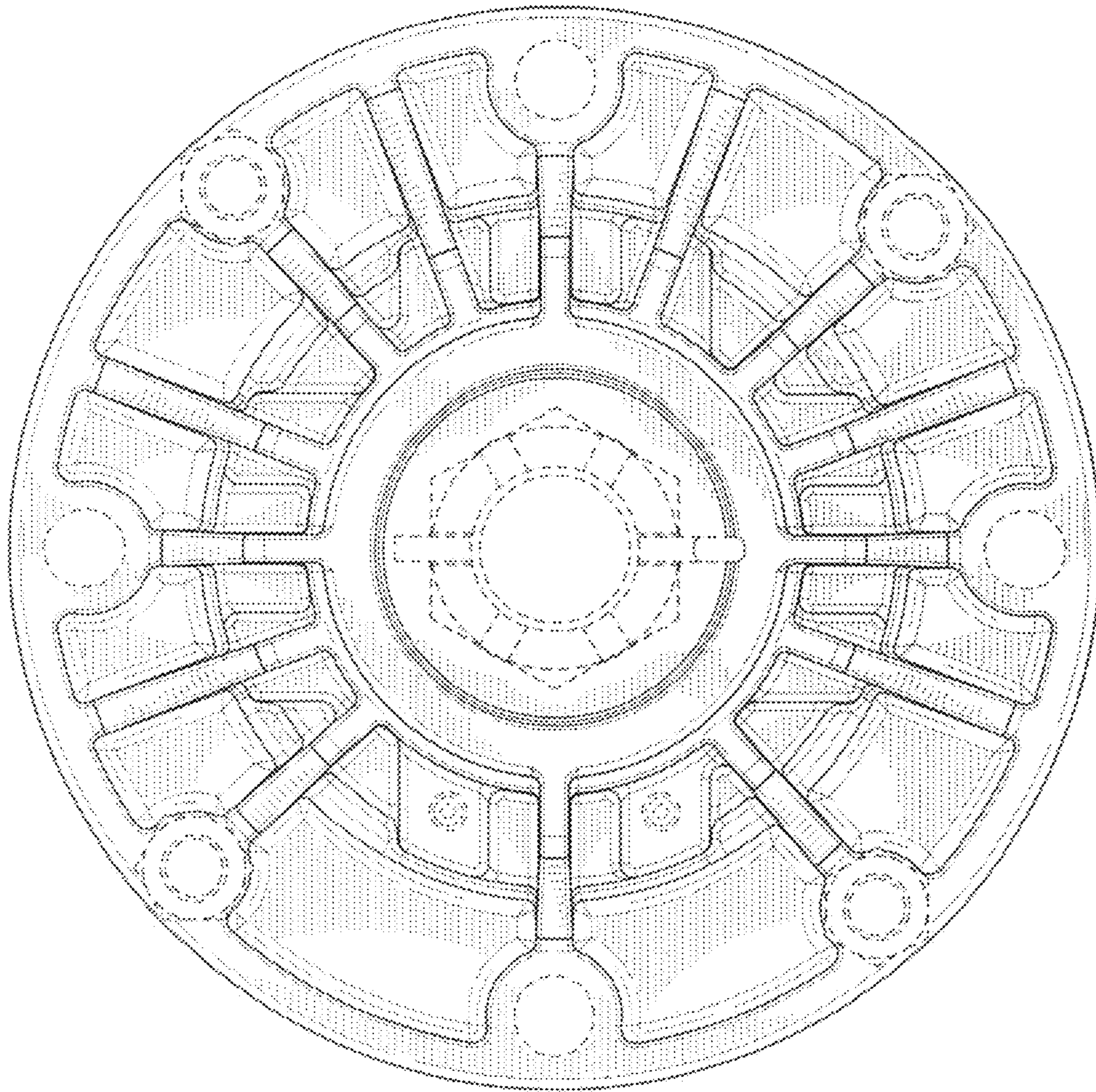


FIG. 3

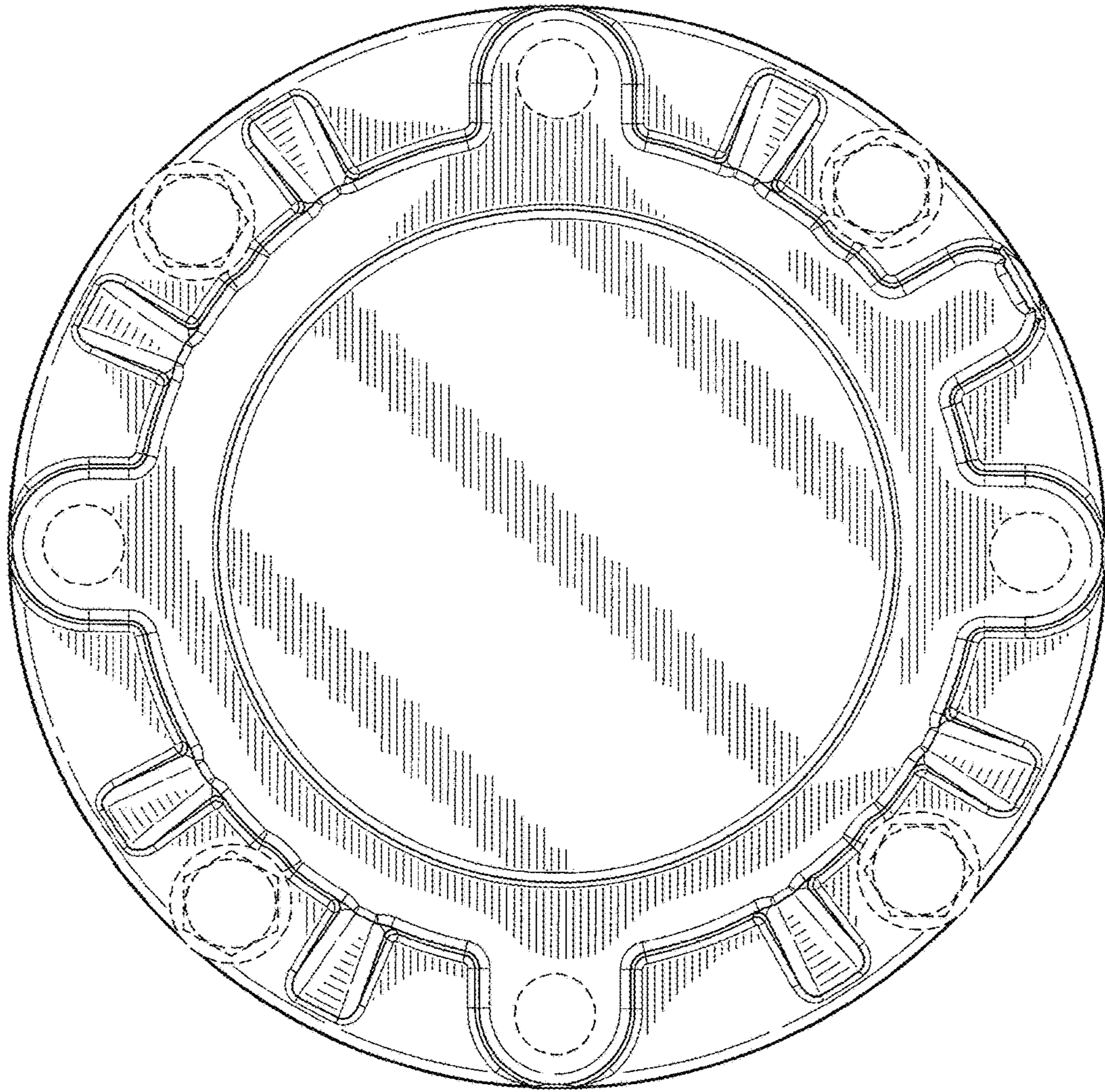


FIG.4

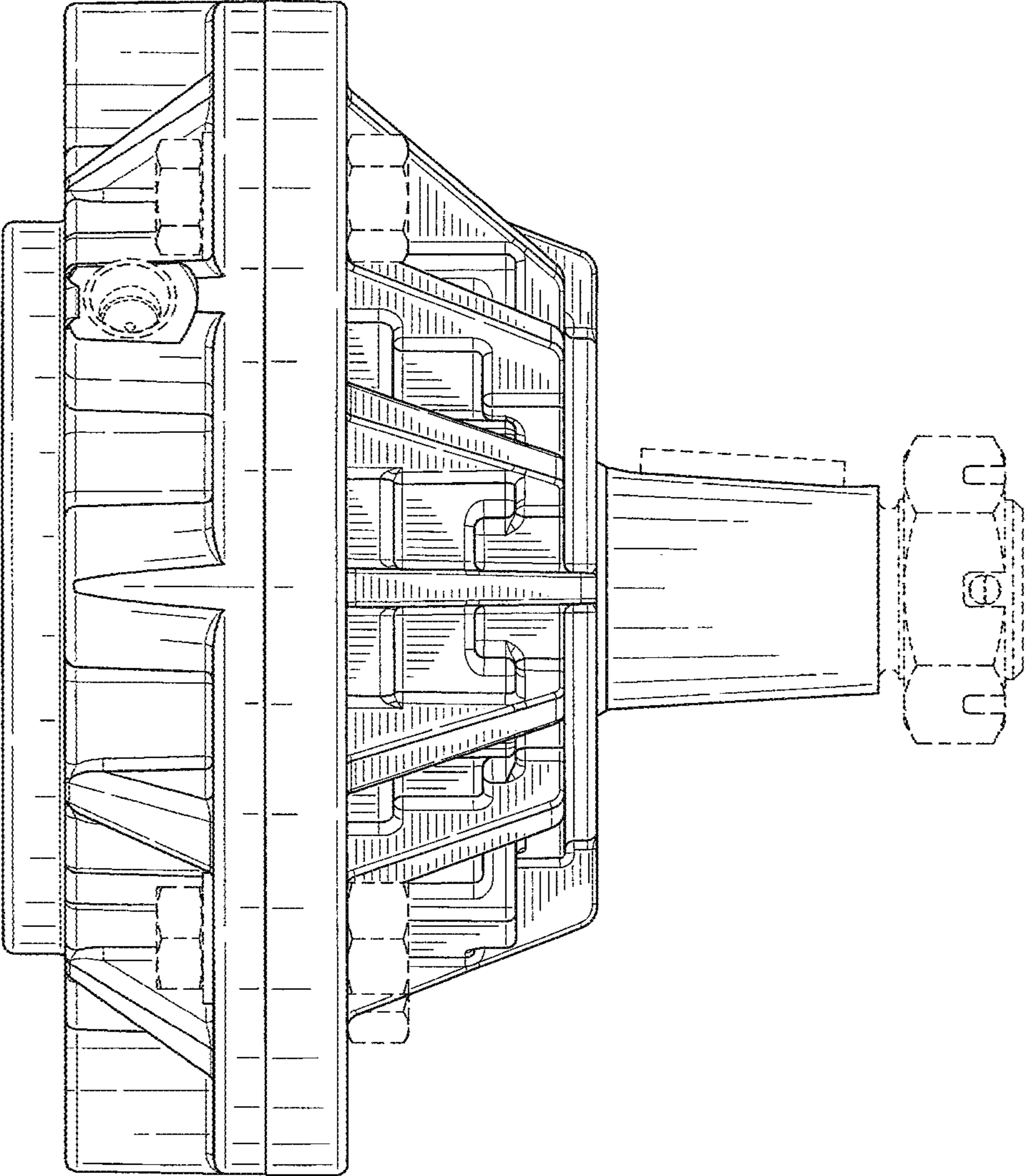


FIG. 5

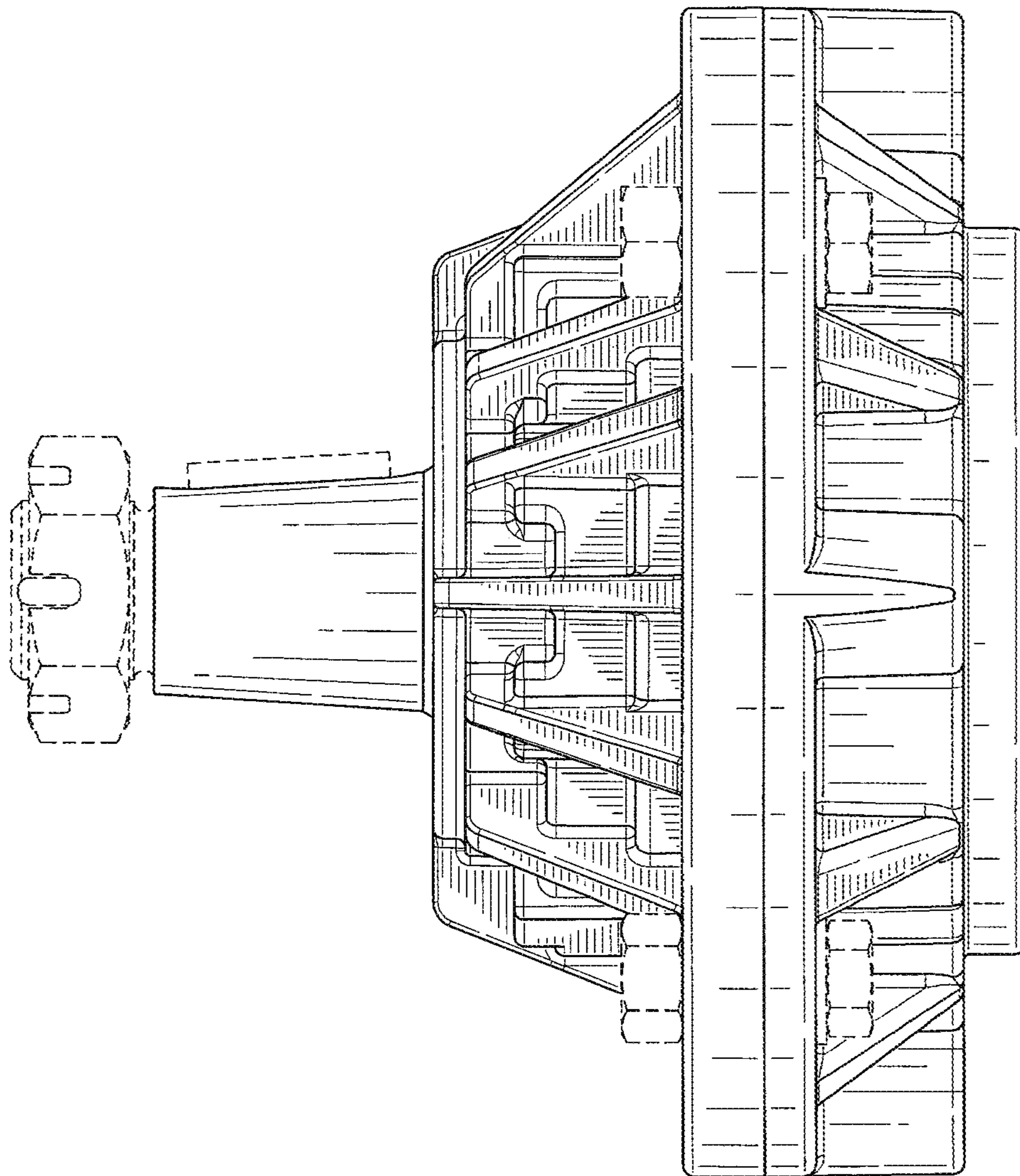


FIG. 6

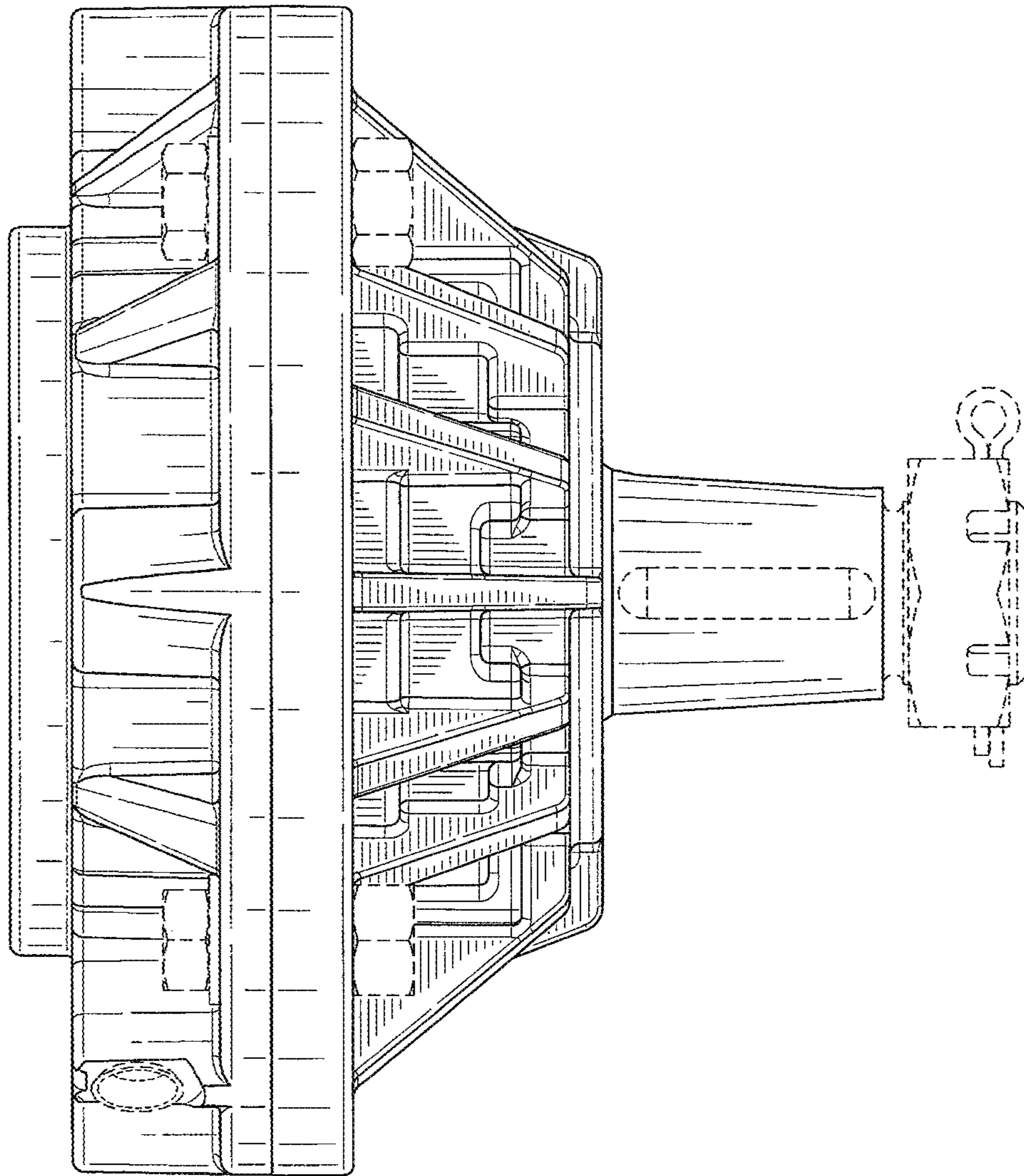


FIG. 7

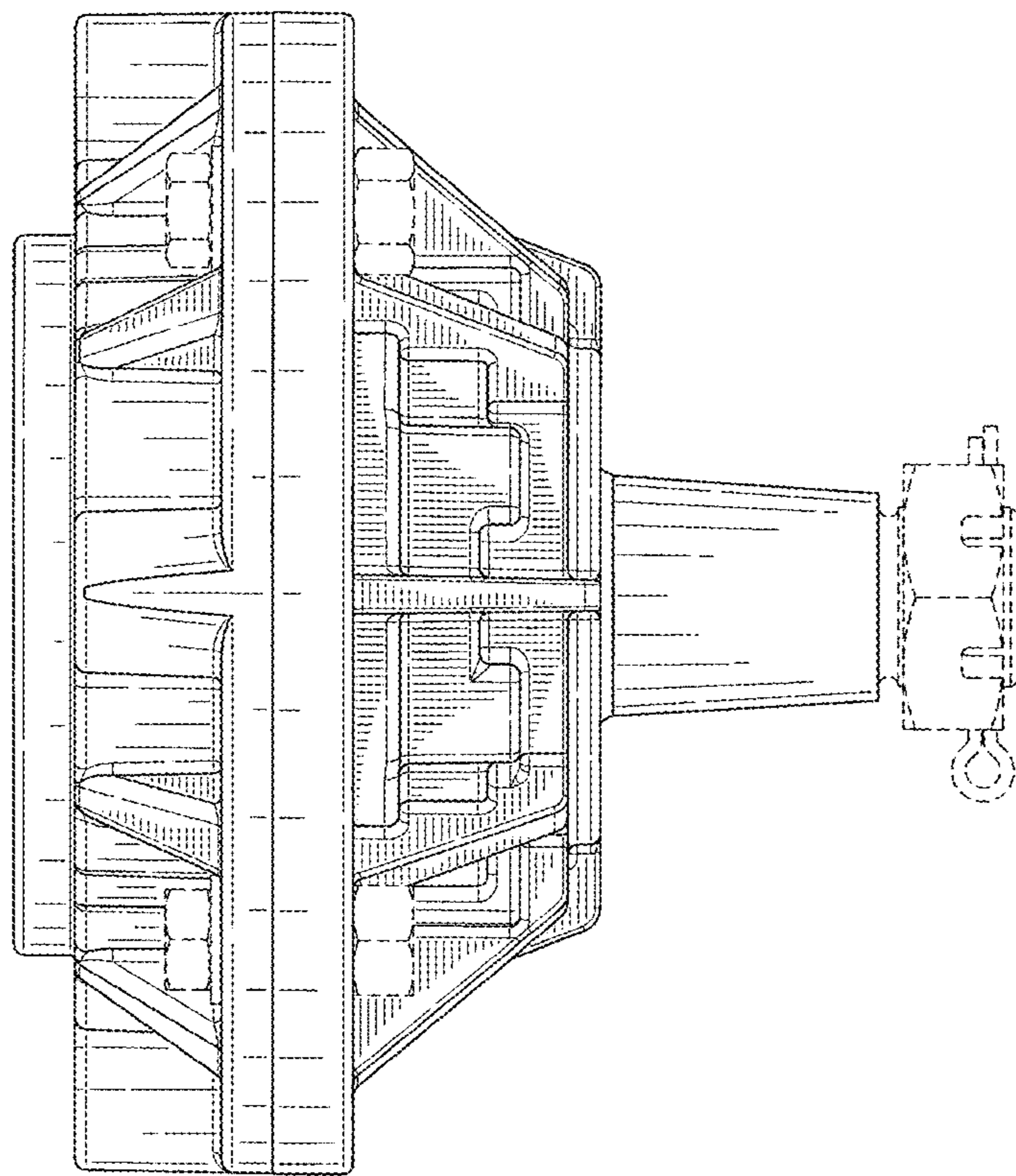


FIG. 8