



US00D783468S

(12) **United States Design Patent** (10) **Patent No.:** **US D783,468 S**
Patel et al. (45) **Date of Patent:** **** Apr. 11, 2017**

- (54) **REAR END OF A VEHICLE**
- (71) Applicant: **Jaguar Land Rover Limited**, Whitley, Coventry (GB)
- (72) Inventors: **Paven Patel**, Whitley (GB); **Alex Chan**, Whitley (GB); **Michael O'Neill**, Whitley (GB)
- (73) Assignee: **Jaguar Land Rover Limited**, Whitley, Coventry (GB)
- (**) Term: **15 Years**
- (21) Appl. No.: **29/532,704**
- (22) Filed: **Jul. 9, 2015**

(30) **Foreign Application Priority Data**

Jan. 9, 2015 (EM) 002611020
 Jun. 29, 2015 (EM) 002727669

(51) **LOC (10) Cl.** **12-16**

(52) **U.S. Cl.**
USPC **D12/164; D12/169**

(58) **Field of Classification Search**
 USPC D12/86, 90-92, 164, 169; D21/421, 433,
 D21/434; 296/181.1, 181.5
 CPC B62D 35/00; B62D 25/00; B62D 25/06;
 B62D 33/00
 See application file for complete search history.

(56) **References Cited**

U.S. PATENT DOCUMENTS

D717,698 S * 11/2014 Beaven D12/92
 D736,127 S * 8/2015 Hammoud D12/169

D738,268 S * 9/2015 Blanski D12/169
 D740,177 S * 10/2015 Callum D12/92
 D741,226 S * 10/2015 Callum D12/92
 D744,902 S * 12/2015 Callum D12/92
 D744,903 S * 12/2015 Jelec D12/92
 D746,188 S * 12/2015 Nakagawa D12/169
 D763,141 S * 8/2016 Lesnik D12/164
 D763,743 S * 8/2016 Hatton D12/164
 D769,780 S * 10/2016 Lesnik D12/164

* cited by examiner

Primary Examiner — Melody N Brown

(74) *Attorney, Agent, or Firm* — Wood Herron & Evans LLP

(57) **CLAIM**

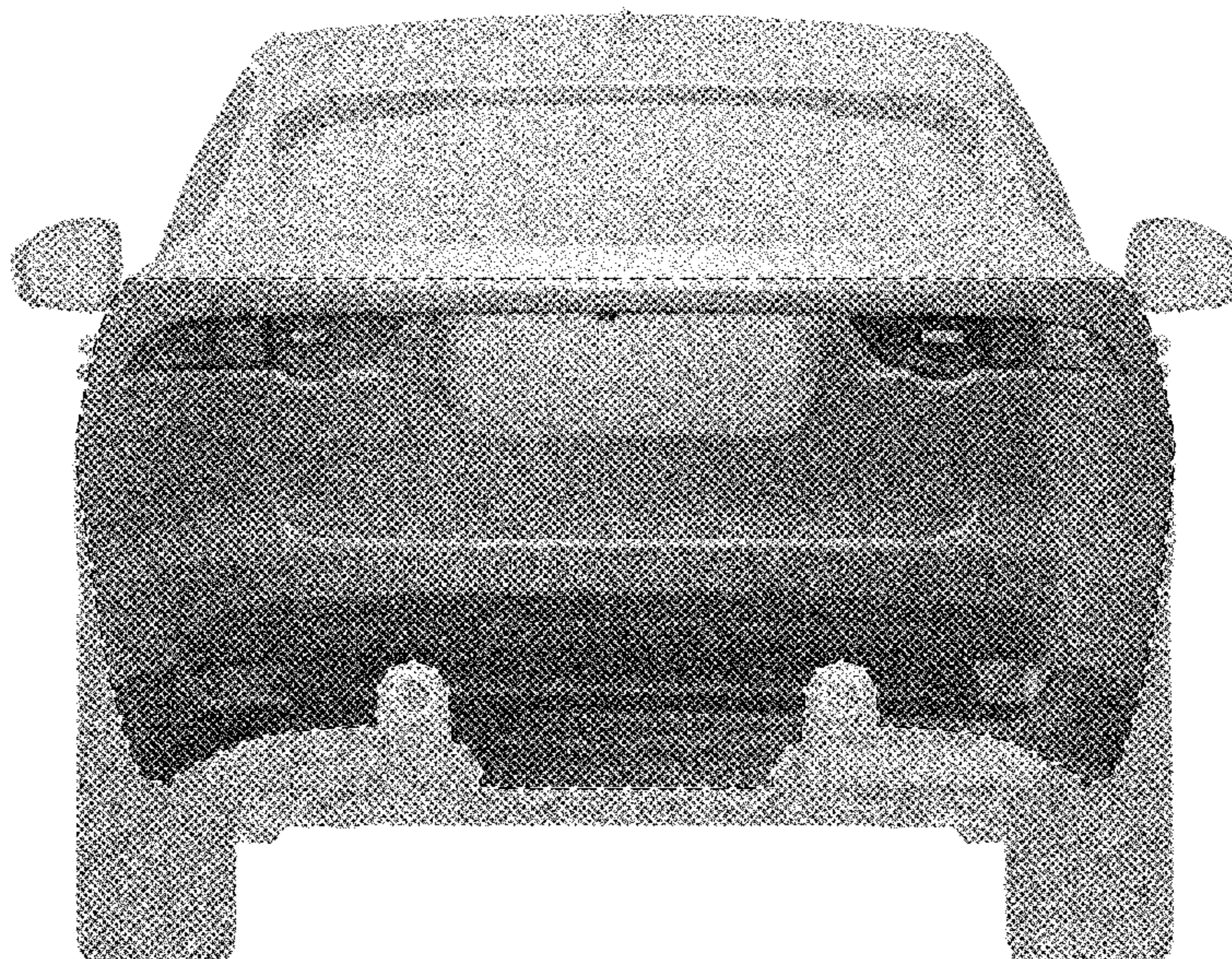
The ornamental design for a rear end of a vehicle, as shown and described.

DESCRIPTION

FIG. 1 is a left side perspective view of a rear end of a vehicle showing my new design;
 FIG. 2 is a right, front perspective view thereof;
 FIG. 3 is a left, front perspective view thereof;
 FIG. 4 is a front elevational view thereof;
 FIG. 5 is a right side elevational view thereof;
 FIG. 6 is a left side elevational view thereof; and,
 FIG. 7 is a top plan view thereof.

The portions of the vehicle shown in de-emphasized and half-tone portions outside the broken lines and the broken lines representing the boundary and configuration of what is claimed as the design are for environmental and illustrative purposes only and form no part of the claimed design.

1 Claim, 6 Drawing Sheets



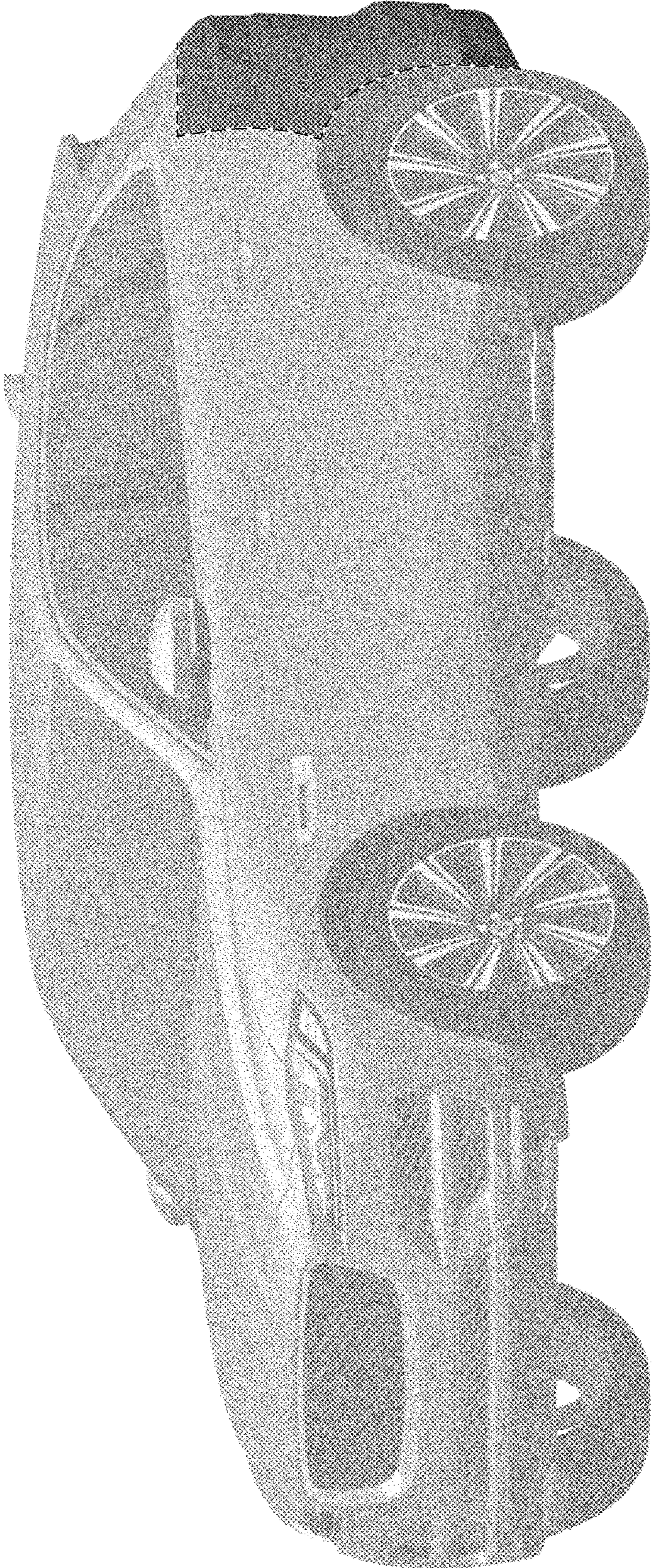


FIG. 1

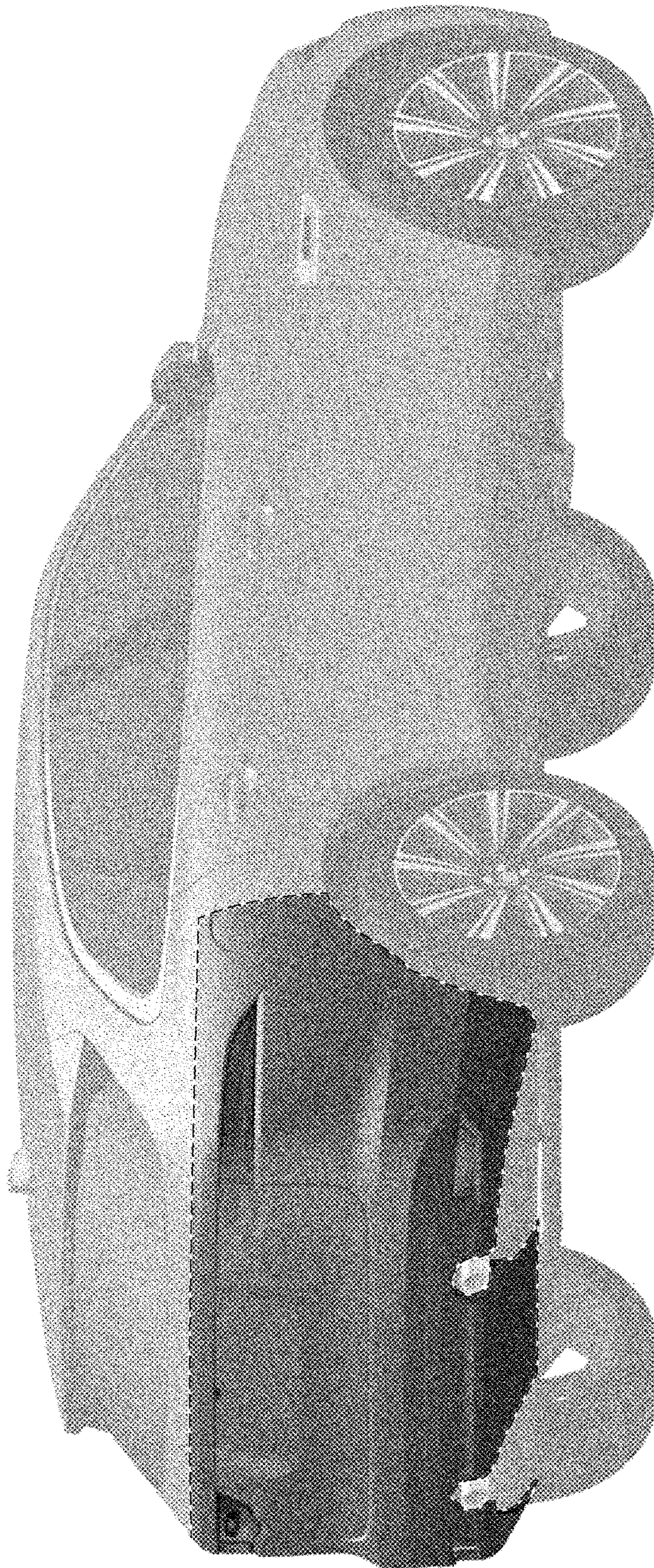


FIG. 2

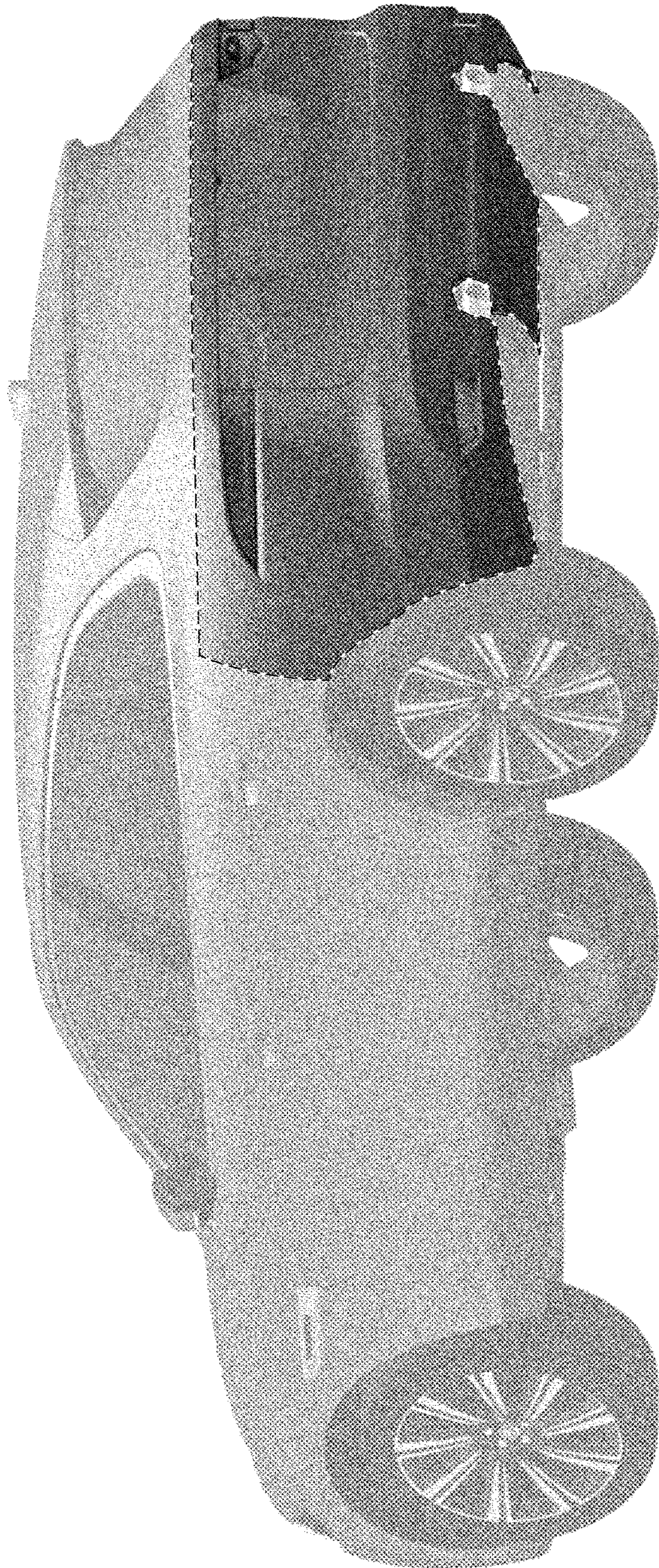


FIG. 3

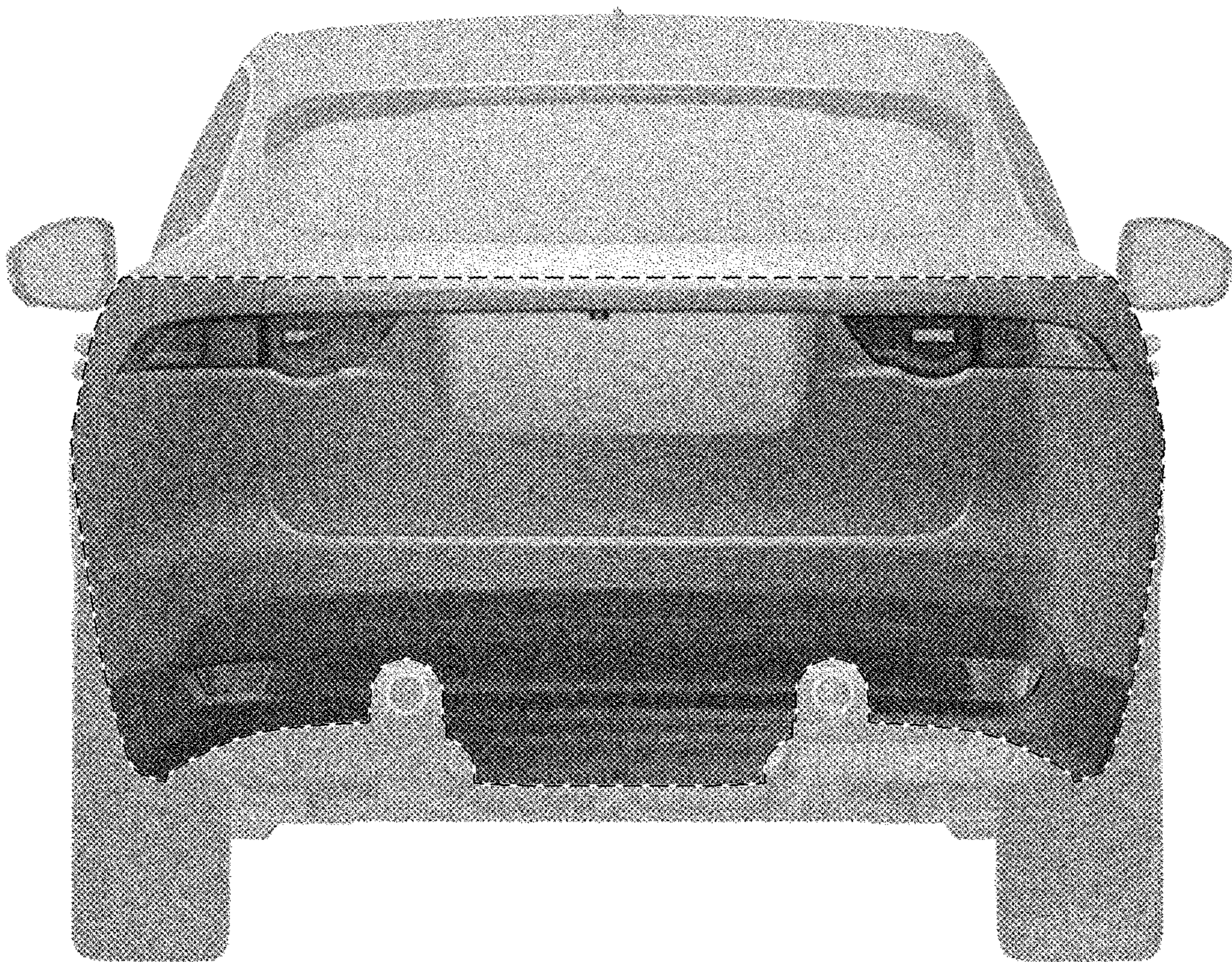


FIG. 4

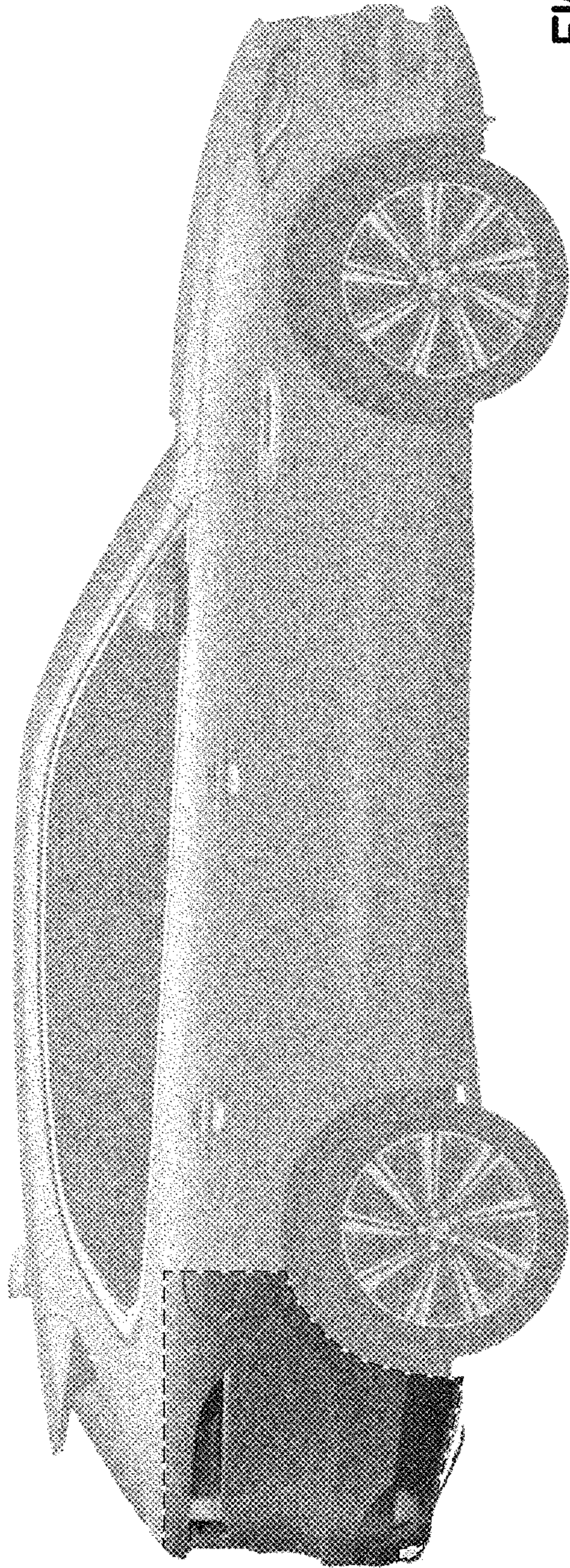


FIG. 5

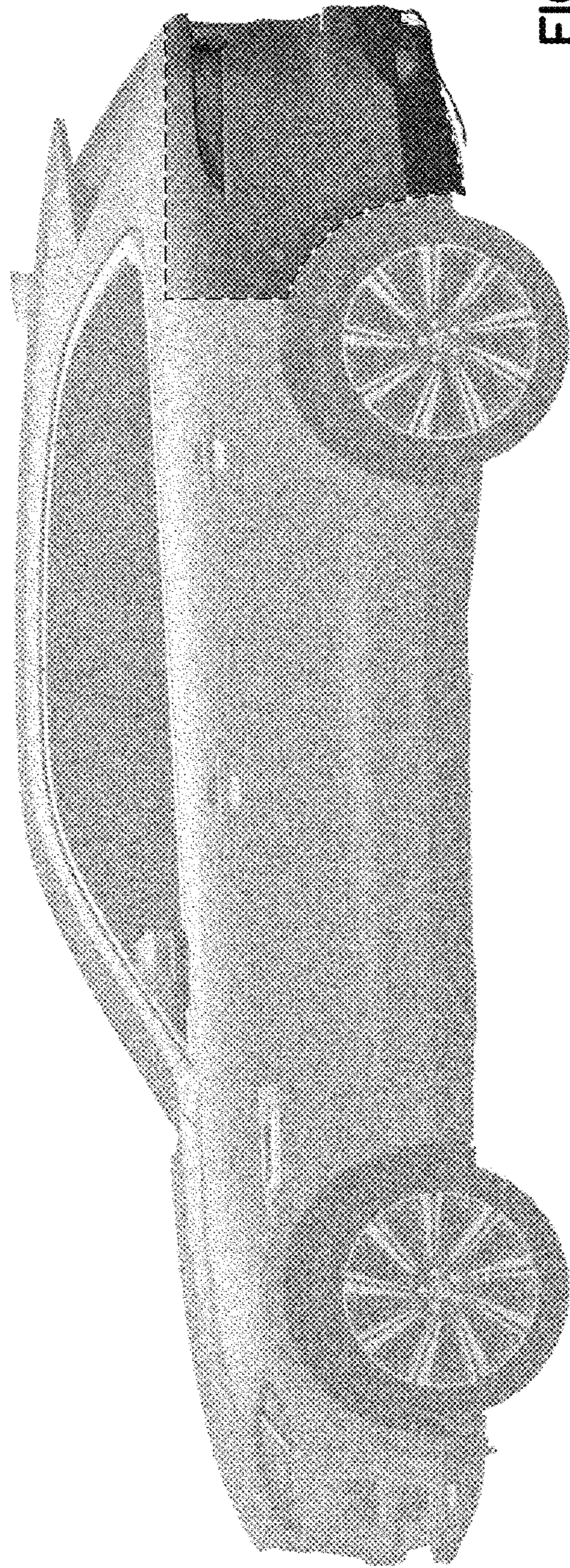


FIG. 6

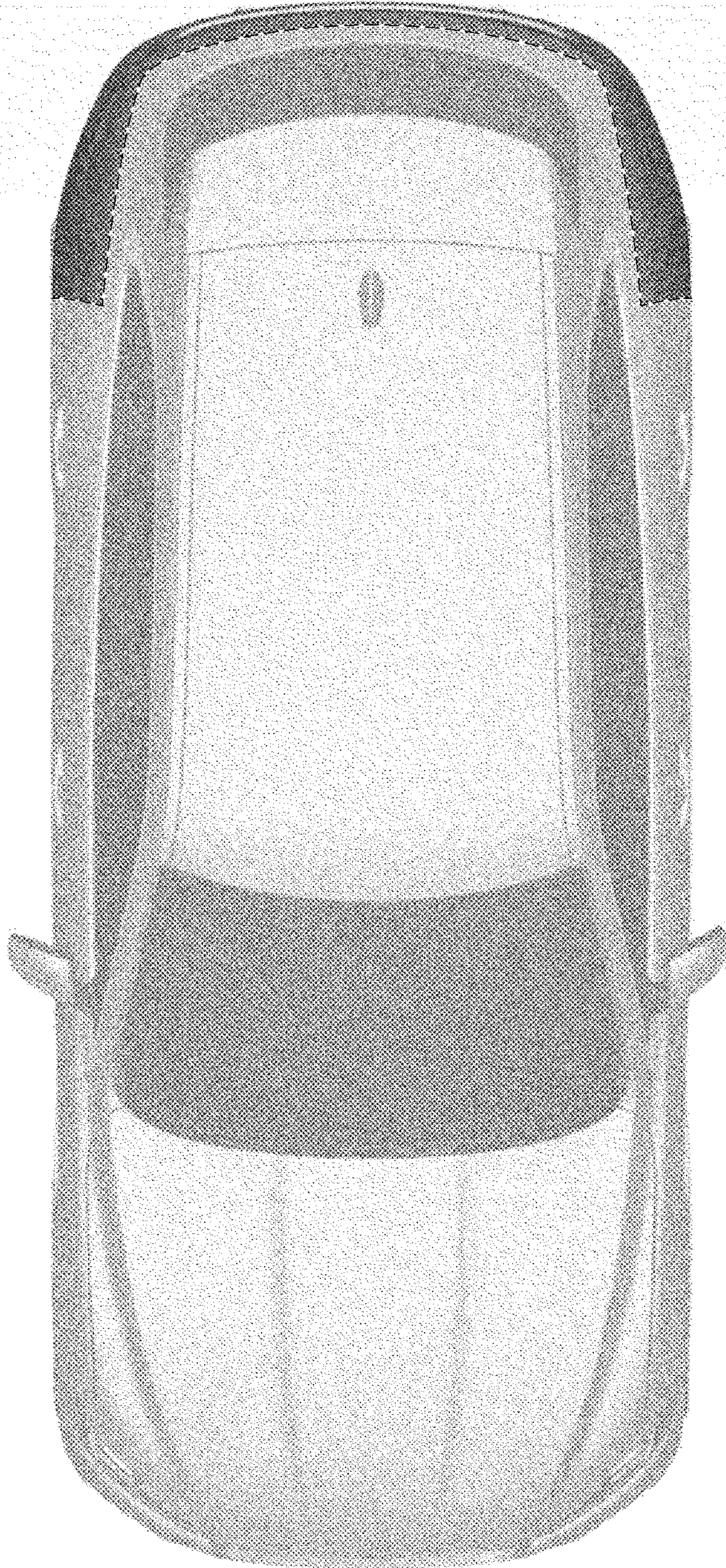


FIG. 7