



US00D783465S

(12) **United States Design Patent**
Choi et al.

(10) **Patent No.:** **US D783,465 S**
(45) **Date of Patent:** **** Apr. 11, 2017**

(54) **RADIATOR GRILL FOR AN AUTOMOBILE**

D592,564 S * 5/2009 Kusamoto D12/163
D609,140 S * 2/2010 Iwasaki D12/163
D610,052 S * 2/2010 Watanabe D12/163

(71) Applicant: **Nissan Motor Co., Ltd.**, Yokohama,
Kanagawa (JP)

(Continued)

(72) Inventors: **Jinwook Choi**, Tokyo (JP); **Genta Oohashi**, Kanagawa (JP); **Takashi Noguchi**, Kanagawa (JP)

FOREIGN PATENT DOCUMENTS

JP 1293456 S 2/2007
JP 1320022 S 1/2008

(Continued)

(73) Assignee: **Nissan Motor Co., Ltd.**, Yokohama (JP)

OTHER PUBLICATIONS

(**) Term: **15 Years**

“2016 Rogue.” Nissan Motor Brochure., Oct. 22, 2015 [online], [retrieved on Nov. 4, 2016]. Retrieved from the Internet <URL: http://www.auto-brochures.com/makes/Nissan/Rogue/Nissan_US%20Rogue_2016.pdf>.*

(Continued)

(21) Appl. No.: **29/545,113**

(22) Filed: **Nov. 10, 2015**

(30) **Foreign Application Priority Data**

May 12, 2015 (JP) 2015-010284

(51) **LOC (10) Cl.** **12-16**

(52) **U.S. Cl.**
USPC **D12/163**

(58) **Field of Classification Search**
USPC D12/86, 90, 91, 92, 163, 169, 196, 171,
D12/216; D15/31; 180/68.1, 68.6;
293/103, 115, 117, 120, 193.1, 193.11
CPC . B60R 19/52; B60R 2019/525; B60K 11/085;
B62D 25/084; H01Q 1/32
See application file for complete search history.

Primary Examiner — Darlington Ly
(74) *Attorney, Agent, or Firm* — Global IP Counselors, LLP

(57) **CLAIM**

The ornamental design for a radiator grill for an automobile, as shown and described.

DESCRIPTION

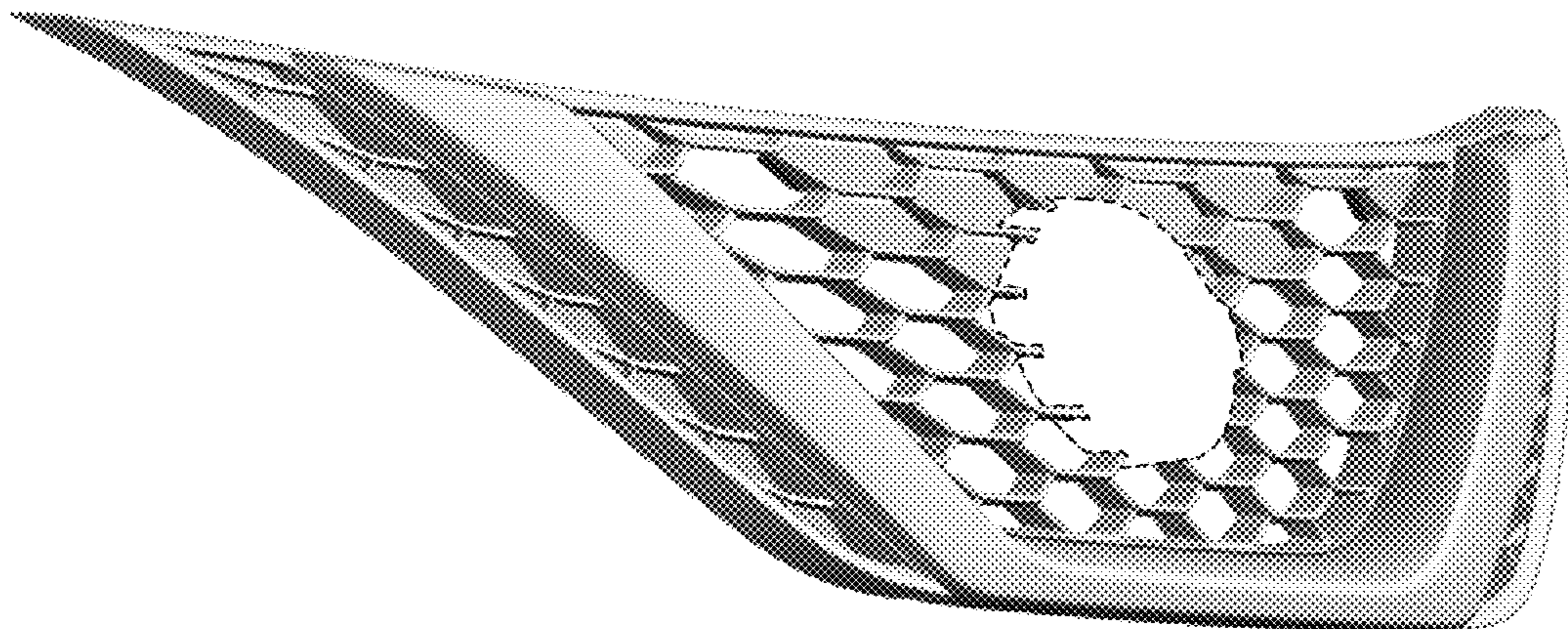
FIG. 1 is a front elevation view of a radiator grill for an automobile in accordance with our new design;
FIG. 2 is a top plan view thereof;
FIG. 3 is a left-side elevation view thereof;
FIG. 4 is a right-side elevation view thereof;
FIG. 5 is a front, top, and right-side perspective view thereof; and,
FIG. 6 is a front, bottom, and left-side perspective view thereof.
The broken lines in the drawings illustrate portions of the radiator grill for an automobile that forms no part of the claimed design.

(56) **References Cited**

U.S. PATENT DOCUMENTS

D537,019 S * 2/2007 Pfeiffer D12/163
D570,259 S * 6/2008 Choi
D573,924 S * 7/2008 Tachibana D12/163
D575,686 S * 8/2008 Fukui D12/163
D575,688 S * 8/2008 Miyata D12/163
D584,198 S * 1/2009 Tamura D12/163

1 Claim, 6 Drawing Sheets



(56)

References Cited

U.S. PATENT DOCUMENTS

D614,542 S * 4/2010 Kasai D12/163
 D623,565 S 9/2010 Cogswell
 D634,676 S 3/2011 Iida
 D635,065 S 3/2011 Seo
 D651,142 S * 12/2011 Fushimi D12/163
 D670,214 S 11/2012 Watanabe
 D682,164 S * 5/2013 Fuchigami D12/163
 D686,117 S 7/2013 Tase et al.
 D692,803 S * 11/2013 Nakahara D12/163
 D702,600 S * 4/2014 Ajojima D12/163
 D705,137 S * 5/2014 Kawasaki D12/163
 D712,321 S * 9/2014 Mays D12/163
 D734,693 S 7/2015 Koizumi et al.
 D766,782 S * 9/2016 Arroba D12/163
 2008/0073920 A1 * 3/2008 Knauer B60K 11/085
 293/115
 2010/0015434 A1 * 1/2010 Iwata C08G 18/6216
 428/327

FOREIGN PATENT DOCUMENTS

JP 1326934 S 4/2008
 JP 1342855 S 10/2008
 JP 1346825 S 12/2008
 JP 1377720 S 1/2010
 JP 1379558 S 2/2010
 JP 1380442 S 2/2010
 JP 1398264 S 10/2010
 JP 1398265 S 10/2010

JP 1412408 S 4/2012
 JP 1442572 S 6/2012
 JP 1447108 S 7/2012
 JP 1447591 S 7/2012
 JP 1461646 S 2/2013
 JP 1475446 S 7/2013
 JP 1501242 S 6/2014
 JP 1489458 S 2/2015
 JP 1501247 S 6/2015
 JP 1533191 S 9/2015

OTHER PUBLICATIONS

“2016 Sentra.” Nissan Motor Brochure., Sep. 21, 2015 [online], [retrieved on Nov. 4, 2016]. Retrieved from the Internet <URL: http://www.auto-brochures.com/makes/Nissan/Sentra/Nissan_US%20Sentra_2016.pdf>.*
 “2016 Juke.” Nissan Motor Brochure., Sep. 21, 2015 [online], [retrieved on Nov. 4, 2016]. Retrieved from the Internet <URL: http://www.auto-brochures.com/makes/Nissan/Juke/Nissan_US%20Juke_2016.pdf>.*
 “2016 Maxima.” Nissan Motor Brochure., Mar. 12, 2015 [online], [retrieved on Nov. 4, 2016]. Retrieved from the Internet <URL: http://www.auto-brochures.com/makes/Nissan/Maxima/Nissan_US%20Maxima_2016.pdf>.*
 “2015 Nissan Pulsar front grill.” New Cars Release Dates., Nov. 13, 2014 [online], [retrieved on Nov. 4, 2016]. Retrieved from the Internet <URL: <http://newcarsreleasedates.com/2015-nissan-pulsar-specs/2015-nissan-pulsar-front-grill/>>.*

* cited by examiner

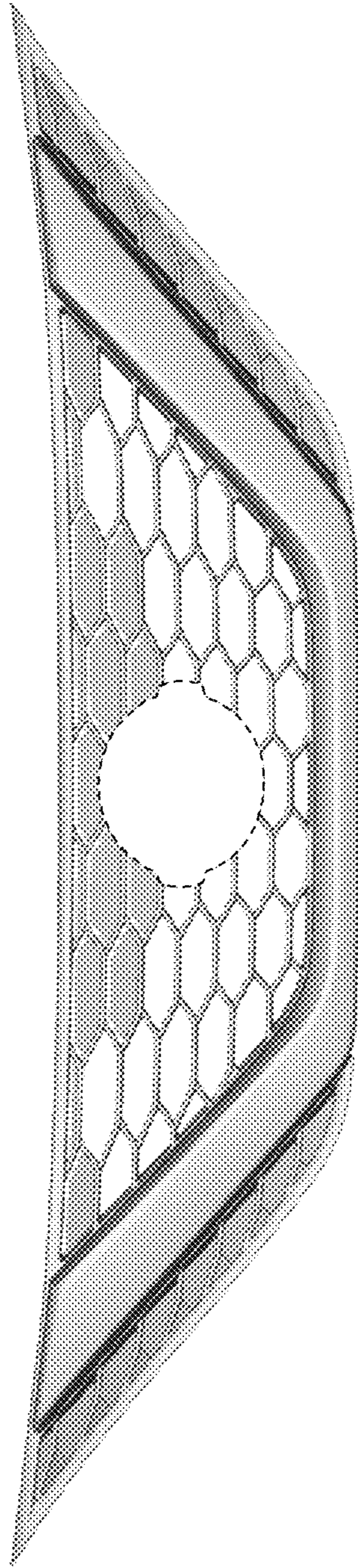


FIG. 1

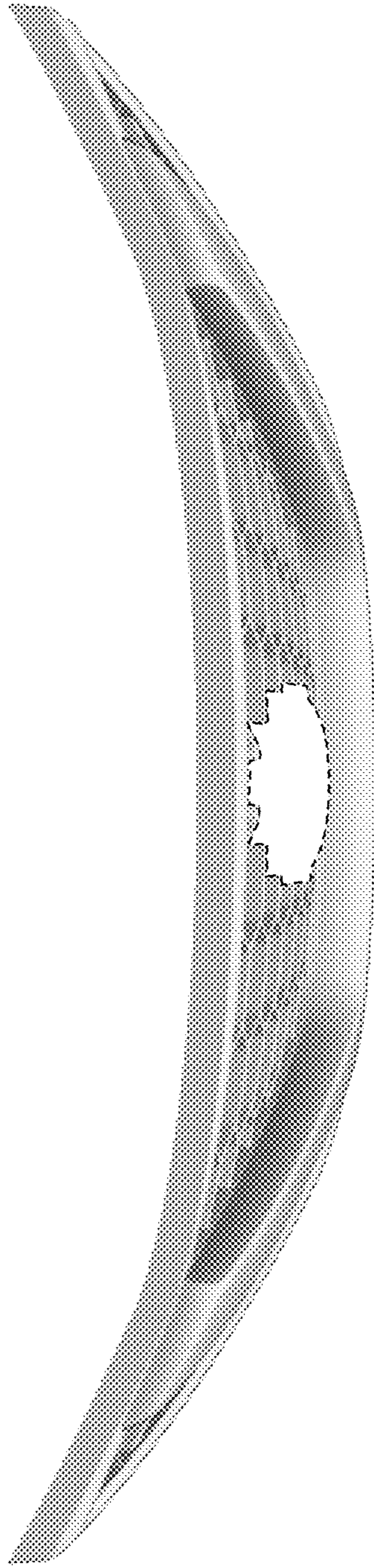


FIG. 2

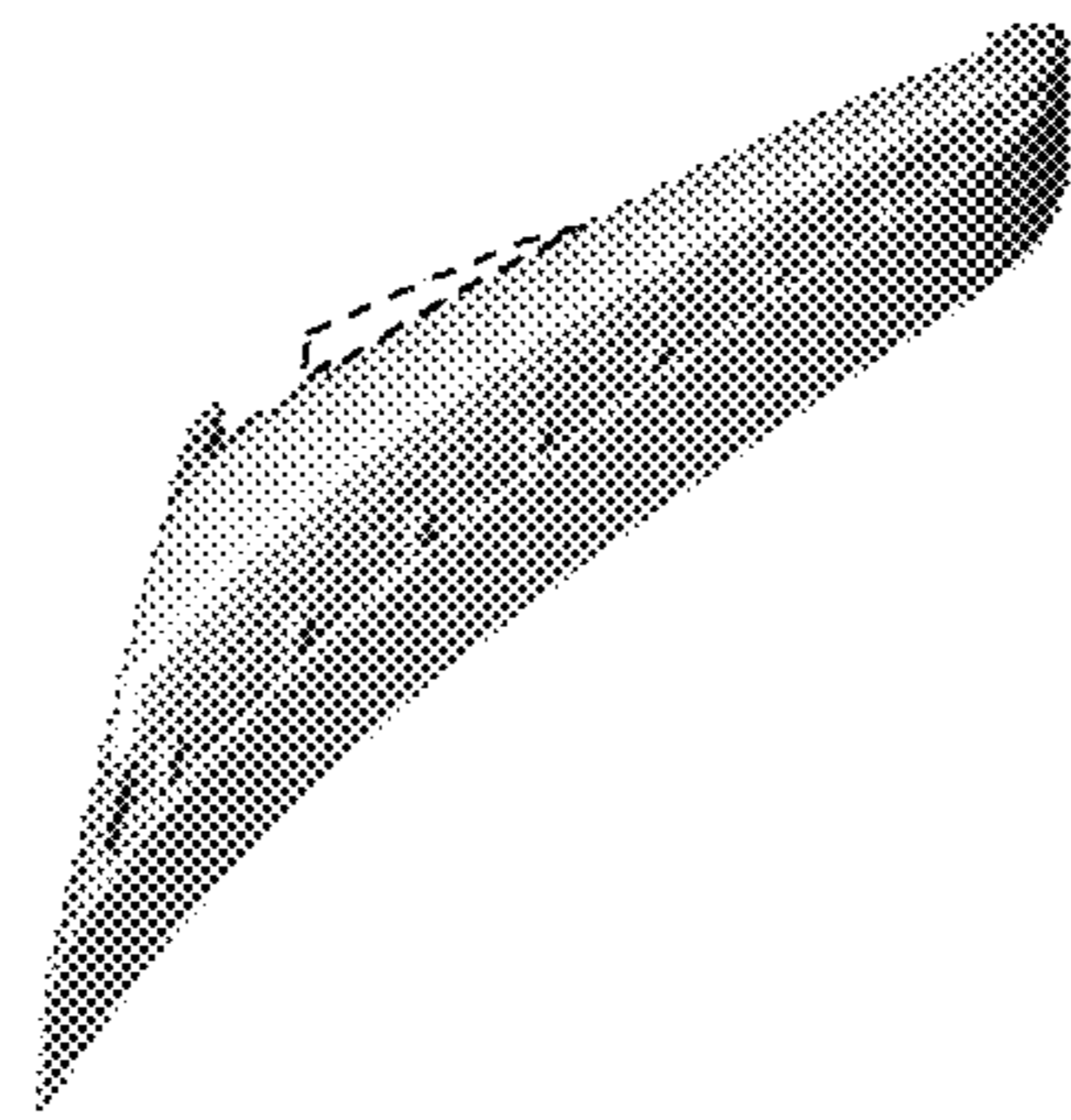


FIG. 3

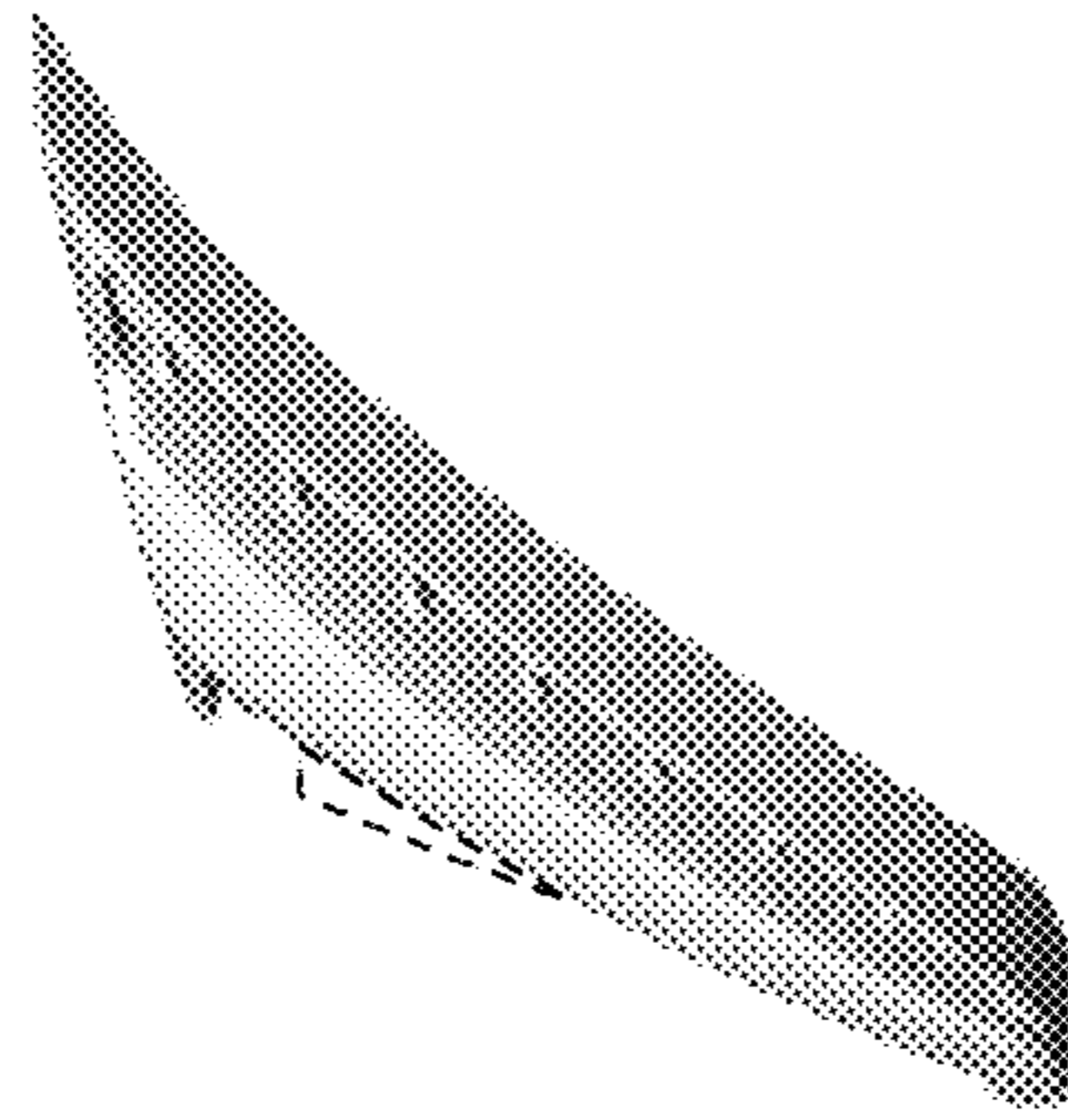


FIG. 4

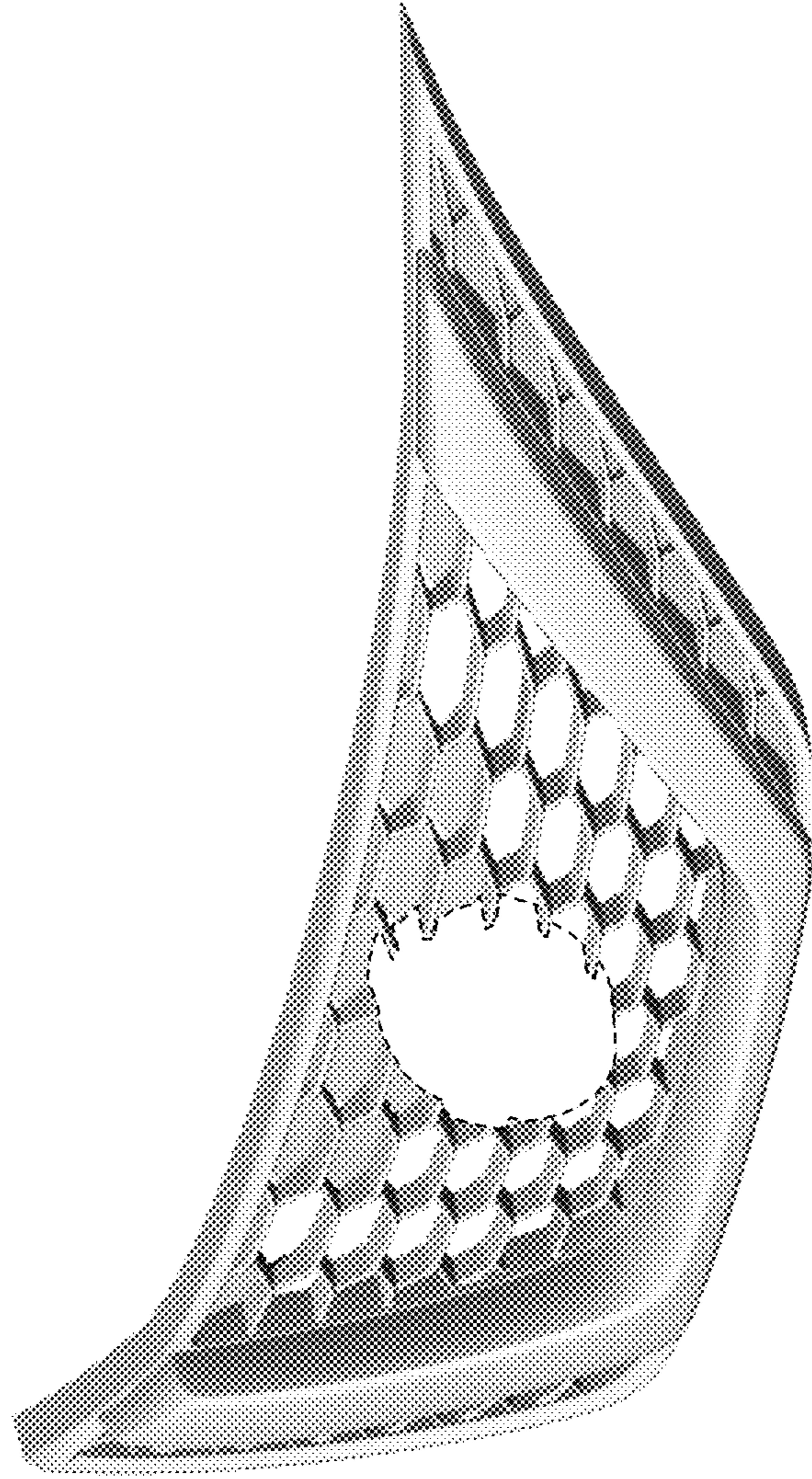


FIG. 5

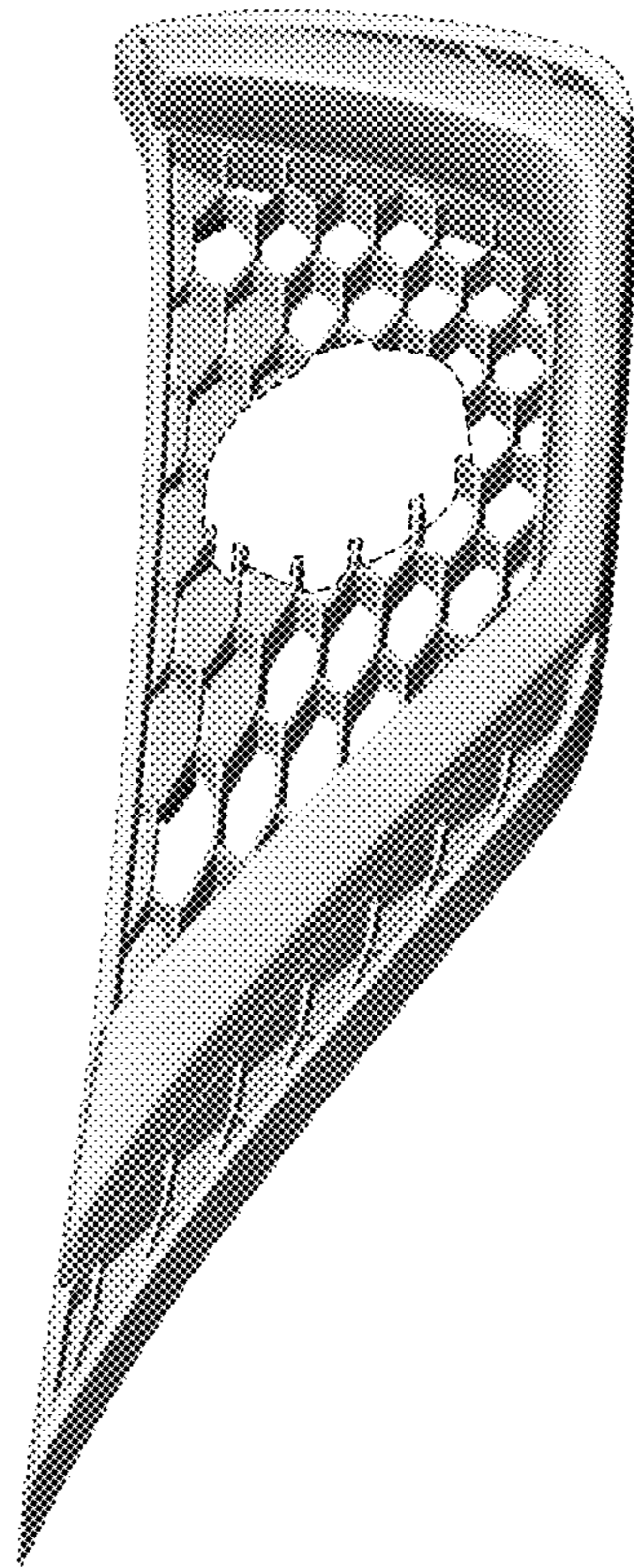


FIG. 6