



US00D783463S

(12) **United States Design Patent**  
**Reed**

(10) **Patent No.:** **US D783,463 S**

(45) **Date of Patent:** **\*\* Apr. 11, 2017**

(54) **MOTORCYCLE ABS SENSOR COVER**

(71) Applicant: **Jonathan Reed**, Westminster, CA (US)

(72) Inventor: **Jonathan Reed**, Westminster, CA (US)

(\*\*) Term: **15 Years**

(21) Appl. No.: **29/537,853**

(22) Filed: **Aug. 28, 2015**

(51) **LOC (10) Cl.** ..... **12-11**

(52) **U.S. Cl.**  
USPC ..... **D12/126**

(58) **Field of Classification Search**  
USPC ..... D12/114, 126, 179, 180, 207, 208;  
188/70 B, 111, 138, 156, 162, 344, 722,  
188/727; 192/70.26, 103 A, 104 C,  
192/105 CD; 210/136, 304, 305  
CPC ... B60B 7/0026; B60B 7/061; F16D 65/0081;  
F16D 65/00  
See application file for complete search history.

(56) **References Cited**

U.S. PATENT DOCUMENTS

D267,472 S *	1/1983	Kanemitsu	.....	D8/360
D319,040 S *	8/1991	Evans	.....	D12/180
D348,036 S *	6/1994	Rossigno	.....	D12/180
D348,676 S *	7/1994	Fuller	.....	D15/5
D364,129 S *	11/1995	Davidson	.....	D12/126
D376,567 S *	12/1996	Davidson	.....	D12/126
D411,489 S *	6/1999	Davidson	.....	D12/126

D411,817 S *	7/1999	Davidson	.....	D12/126
D424,480 S *	5/2000	Ricci	.....	D12/126
D554,245 S *	10/2007	Geyer, III	.....	D23/365
D556,101 S *	11/2007	Hurlbutt	.....	D12/180
D564,420 S *	3/2008	Devlin	.....	D12/126
D619,945 S *	7/2010	Sadanowicz	.....	D12/180
D688,608 S *	8/2013	Amy	.....	D12/180
D723,983 S *	3/2015	Blanca	.....	D12/180
2005/0092560 A1 *	5/2005	Brotherton	.....	F16D 65/0006 188/218 R
2007/0289826 A1 *	12/2007	Suryatama	.....	F16D 65/10 188/218 R
2014/0084623 A1 *	3/2014	Miyamoto	.....	B62J 25/00 296/180.1
2015/0167765 A1 *	6/2015	Plantan	.....	F16D 51/28 188/332

\* cited by examiner

*Primary Examiner* — Darlington Ly

(74) *Attorney, Agent, or Firm* — Usha S. Koshy

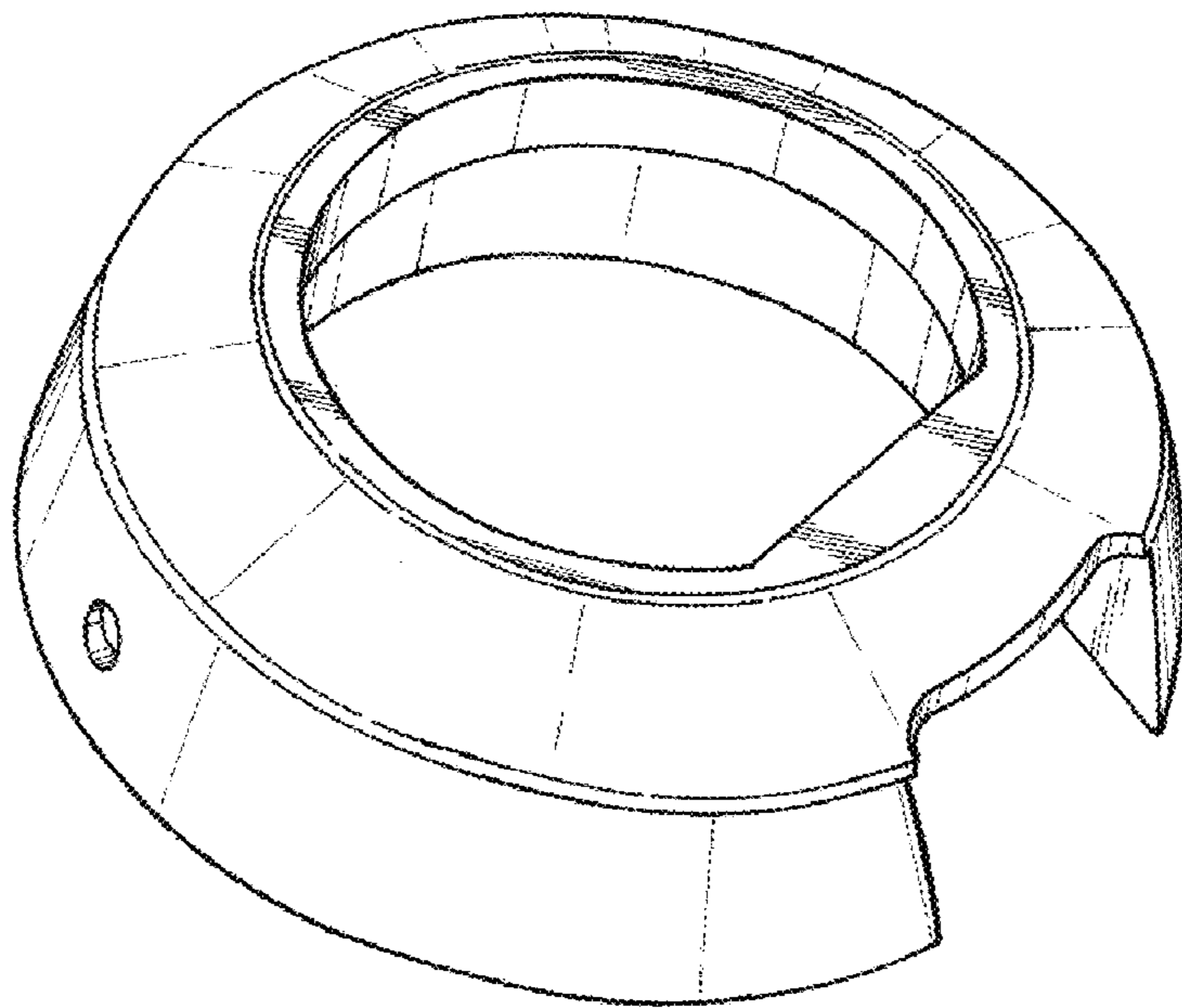
(57) **CLAIM**

The ornamental design for a motorcycle ABS sensor cover, as shown and described.

**DESCRIPTION**

FIG. 1 is a perspective view of the motorcycle ABS sensor cover showing my new design; FIG. 2 is a top plan view thereof; FIG. 3 is a bottom plan view thereof; FIG. 4 is a front elevation view thereof; FIG. 5 is a left side elevation view thereof; and, FIG. 6 is a right side elevation view thereof.

**1 Claim, 5 Drawing Sheets**



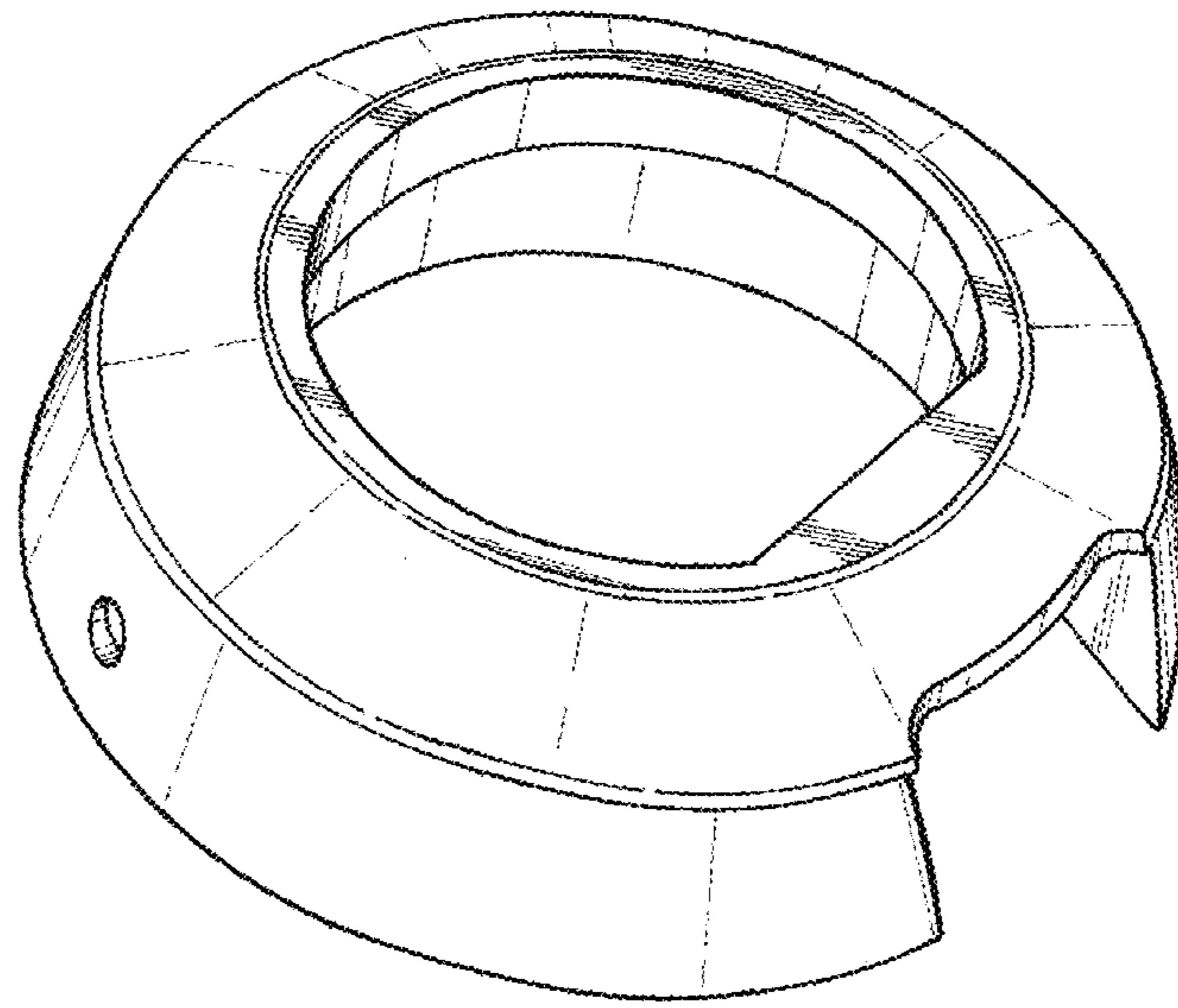


FIG. 1

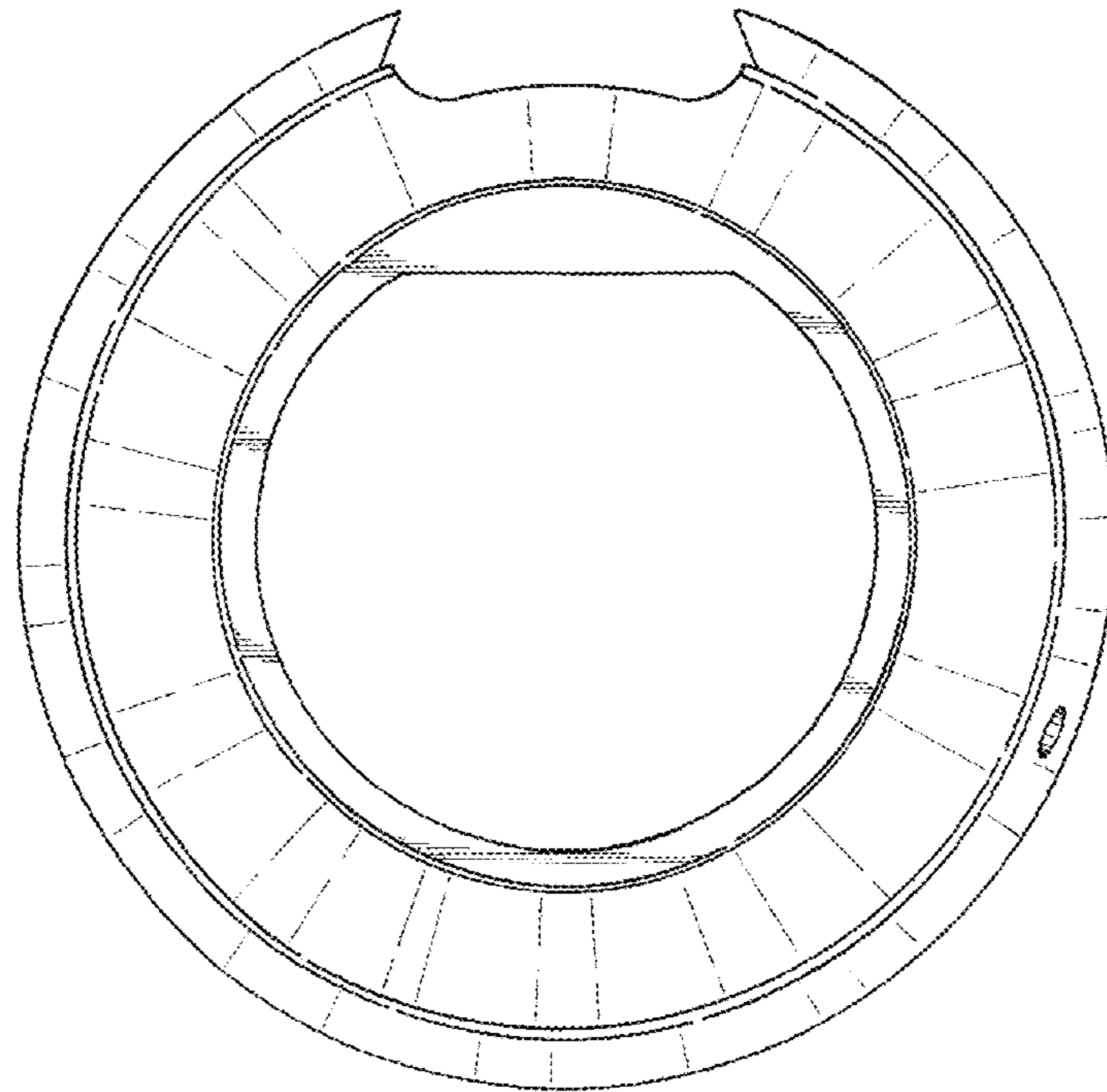


FIG. 2

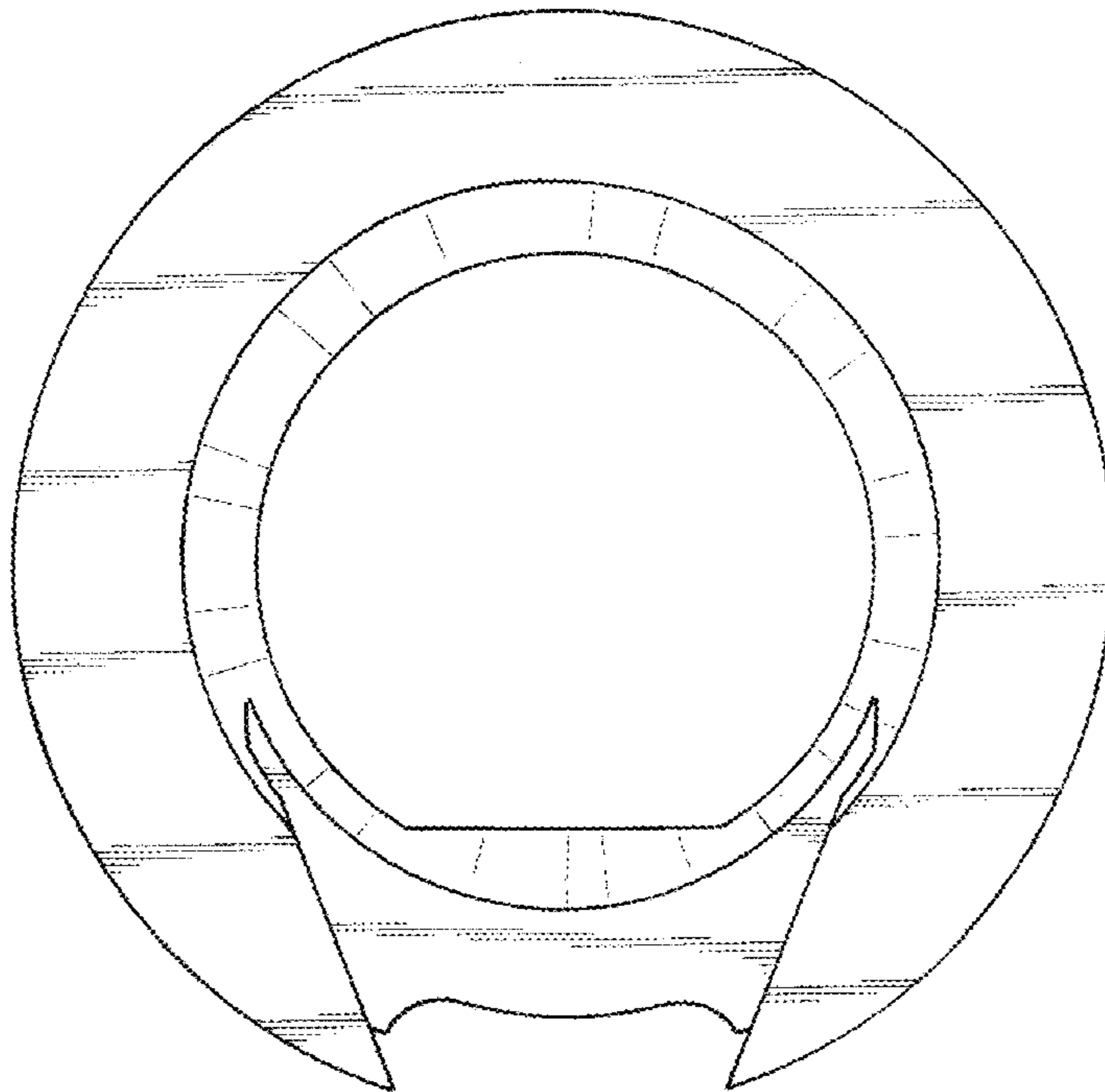


FIG. 3

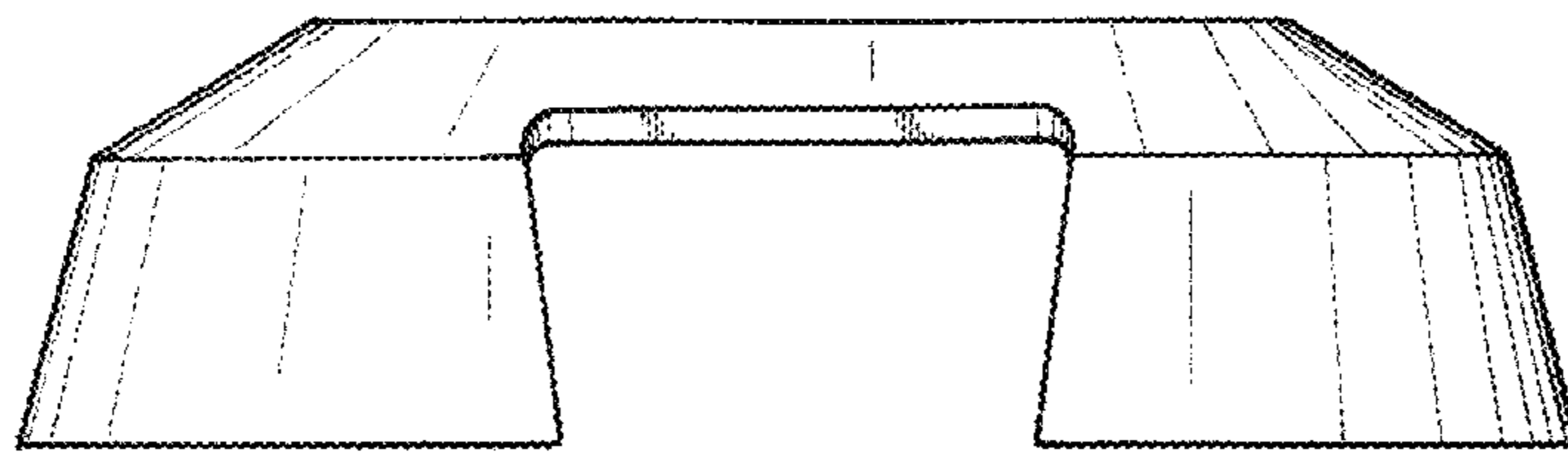


FIG. 4

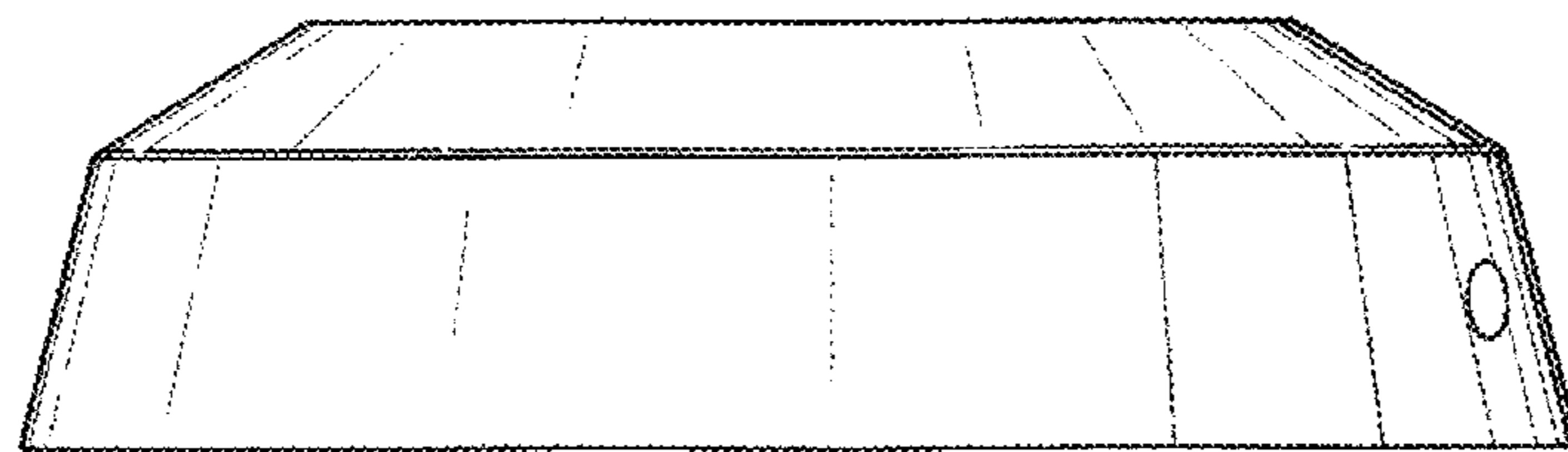


FIG. 5

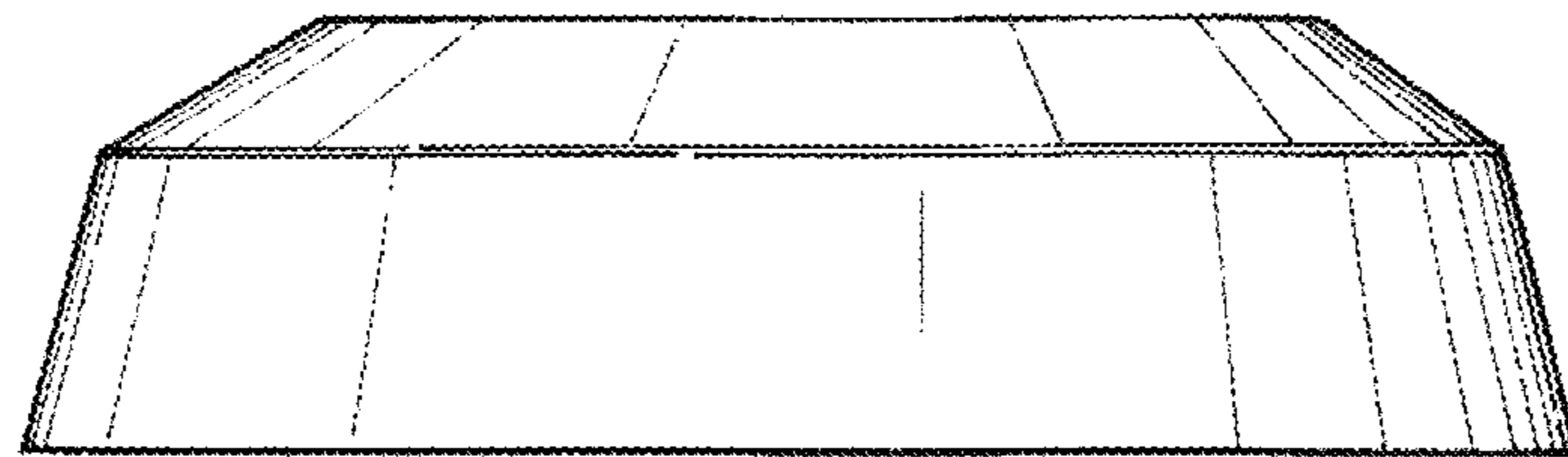


FIG. 6