



US00D783461S

(12) **United States Design Patent** (10) **Patent No.:** **US D783,461 S**  
**Greiner** (45) **Date of Patent:** **\*\* Apr. 11, 2017**

(54) **BICYCLE DRIVE UNIT**  
 (71) Applicant: **Robert Bosch GmbH**, Stuttgart (DE)  
 (72) Inventor: **Rinaldo Greiner**, Reutlingen (DE)  
 (73) Assignee: **Robert Bosch GmbH**, Stuttgart (DE)  
 (\*\*) Term: **15 Years**

(21) Appl. No.: **29/555,686**  
 (22) Filed: **Feb. 24, 2016**

(30) **Foreign Application Priority Data**

Aug. 24, 2015 (EM) ..... 002759464  
 Sep. 15, 2015 (EM) ..... 002772665

(51) **LOC (10) Cl.** ..... **12-11**

(52) **U.S. Cl.**  
 USPC ..... **D12/123**

(58) **Field of Classification Search**  
 USPC ..... D12/111, 122–127; 474/77, 80, 116,  
 474/118, 152, 155–158, 160–164, 202;  
 280/288.4, 304.3, 304.4; 74/594.2  
 CPC ..... F16H 7/06; F16H 55/30; F16H 55/303;  
 B62M 9/105  
 See application file for complete search history.

(56) **References Cited**

U.S. PATENT DOCUMENTS

D42,629 S \* 6/1912 Kissel ..... D12/123  
 D266,558 S \* 10/1982 Breen ..... D12/123  
 D396,436 S \* 7/1998 Liska ..... D12/123  
 D436,330 S \* 1/2001 Currie ..... D12/123  
 D520,920 S \* 5/2006 Okada ..... D12/123  
 D532,342 S \* 11/2006 Arakawa ..... D12/123  
 D553,055 S \* 10/2007 Tokumoto ..... D12/123  
 D580,303 S \* 11/2008 Okada ..... D12/123  
 D595,619 S \* 7/2009 Morrow ..... D12/123  
 D603,761 S \* 11/2009 Morrow ..... D12/123

D607,784 S \* 1/2010 Gisbert ..... D12/123  
 D733,009 S \* 6/2015 Woods ..... D12/123  
 D749,988 S \* 2/2016 Sgreva ..... D12/123  
 D750,999 S \* 3/2016 Zichner ..... D12/123  
 D756,270 S \* 5/2016 Sgreva ..... D12/123  
 D765,551 S \* 9/2016 Baker, Jr. .... D12/123  
 2015/0336631 A1 \* 11/2015 Nishikawa ..... B62K 19/34  
 74/670

\* cited by examiner

*Primary Examiner* — Darlington Ly

(74) *Attorney, Agent, or Firm* — Maginot, Moore & Beck LLP

(57) **CLAIM**

The ornamental design for a bicycle drive unit, as shown and described.

**DESCRIPTION**

The patent or application file contains at least one drawing executed in color. Copies of this patent or patent application publication with color drawing(s) will be provided by the Office upon request and payment of the necessary fee.

FIG. 1 is a perspective view of a bicycle drive unit showing my new design;

FIG. 2 is a front elevational view showing the design for the bicycle drive unit of FIG. 1;

FIG. 3 is a rear elevational view showing the design for the bicycle drive unit of FIG. 1;

FIG. 4 is a left side elevational view showing the design for the bicycle drive unit of FIG. 1;

FIG. 5 is a right side elevational view showing the design for the bicycle drive unit of FIG. 1;

FIG. 6 is a top plan view showing the design for the bicycle drive unit of FIG. 1; and,

FIG. 7 is a bottom plan view showing the design for the bicycle drive unit of FIG. 1.

**1 Claim, 7 Drawing Sheets**  
**(7 of 7 Drawing Sheet(s) Filed in Color)**







**FIG. 1**





**FIG. 2**

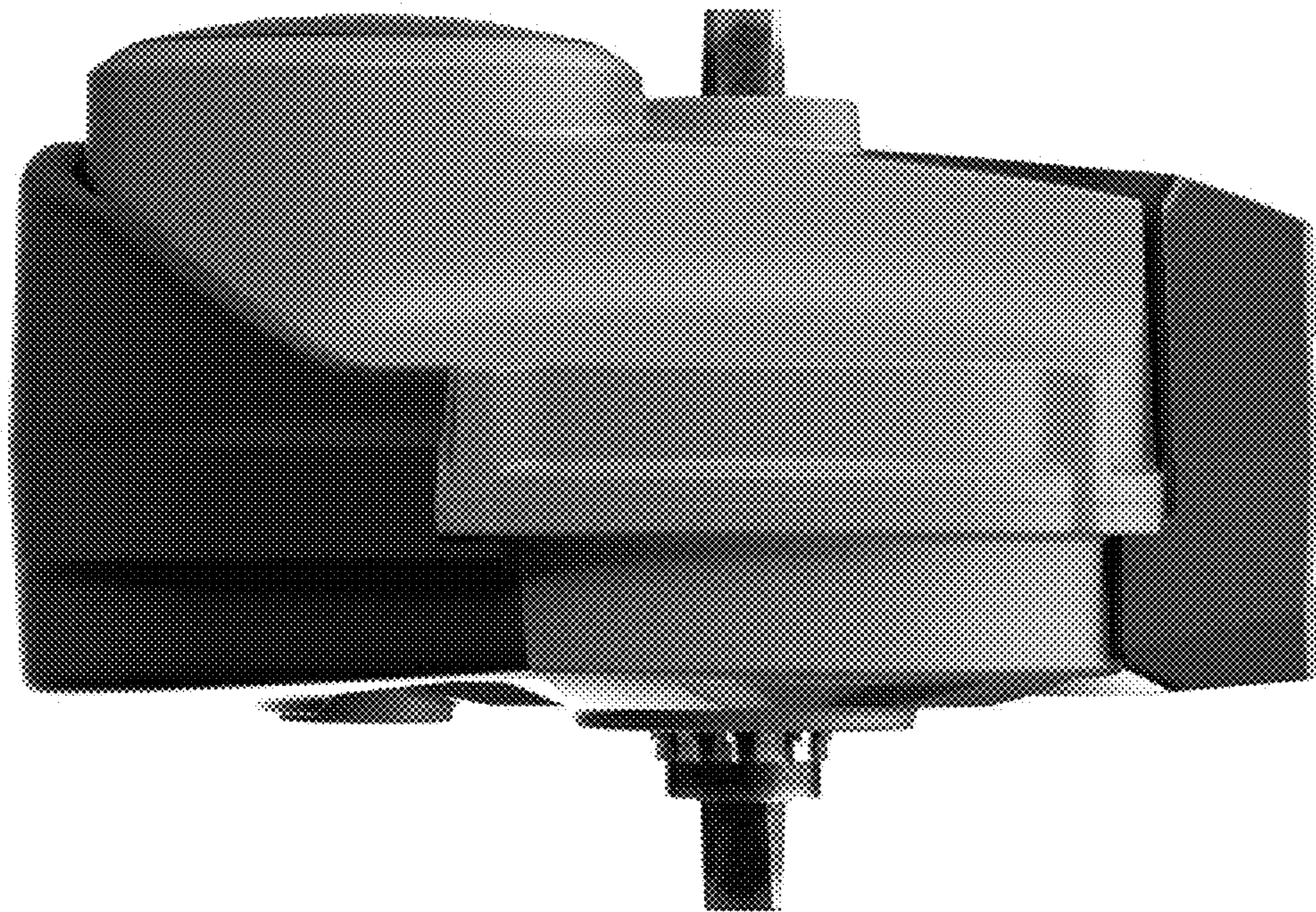


**FIG. 3**





**FIG. 4**



**FIG. 5**





**FIG. 6**





**FIG. 7**