



US00D783454S

(12) **United States Design Patent**
Qu

(10) **Patent No.:** **US D783,454 S**

(45) **Date of Patent:** **** Apr. 11, 2017**

(54) **VEHICLE BODY**

(71) Applicant: **Wenjun Qu**, La Verne, CA (US)

(72) Inventor: **Wenjun Qu**, La Verne, CA (US)

(**) Term: **14 Years**

(21) Appl. No.: **29/504,068**

(22) Filed: **Oct. 1, 2014**

(51) **LOC (10) Cl.** **12-08**

(52) **U.S. Cl.**
USPC **D12/88**

(58) **Field of Classification Search**
USPC D12/86, 90-92, 88; D21/421, 433, 434;
296/181.1, 181.5

CPC B62D 35/00; B62D 25/00; B62D 25/06;
B62D 33/00

See application file for complete search history.

(56) **References Cited**

U.S. PATENT DOCUMENTS

D305,250 S	12/1989	Vendetti	
D469,826 S	2/2003	Prewitt	
D550,124 S *	9/2007	Agullo Spottorno	D12/88
D550,126 S *	9/2007	Amprimo	D12/88
D552,513 S *	10/2007	Castriota	D12/88

D576,523 S *	9/2008	Battams	D12/88
D587,629 S *	3/2009	Crijns	D12/88
D749,463 S *	2/2016	Zurba	D12/88

* cited by examiner

Primary Examiner — Melody N Brown

(74) *Attorney, Agent, or Firm* — Martine Penilla Group, LLP

(57) **CLAIM**

The ornamental design for a vehicle body, as shown and described.

DESCRIPTION

FIG. 1 is a top and rear perspective view of a vehicle body showing my new design;

FIG. 2 is a front and left side perspective view thereof;

FIG. 3 is a rear and right side perspective view thereof;

FIG. 4 is a rear and left side perspective view thereof;

FIG. 5 is a left side perspective view thereof;

FIG. 6 is a top and front perspective view thereof;

FIG. 7 is a left side elevational view thereof;

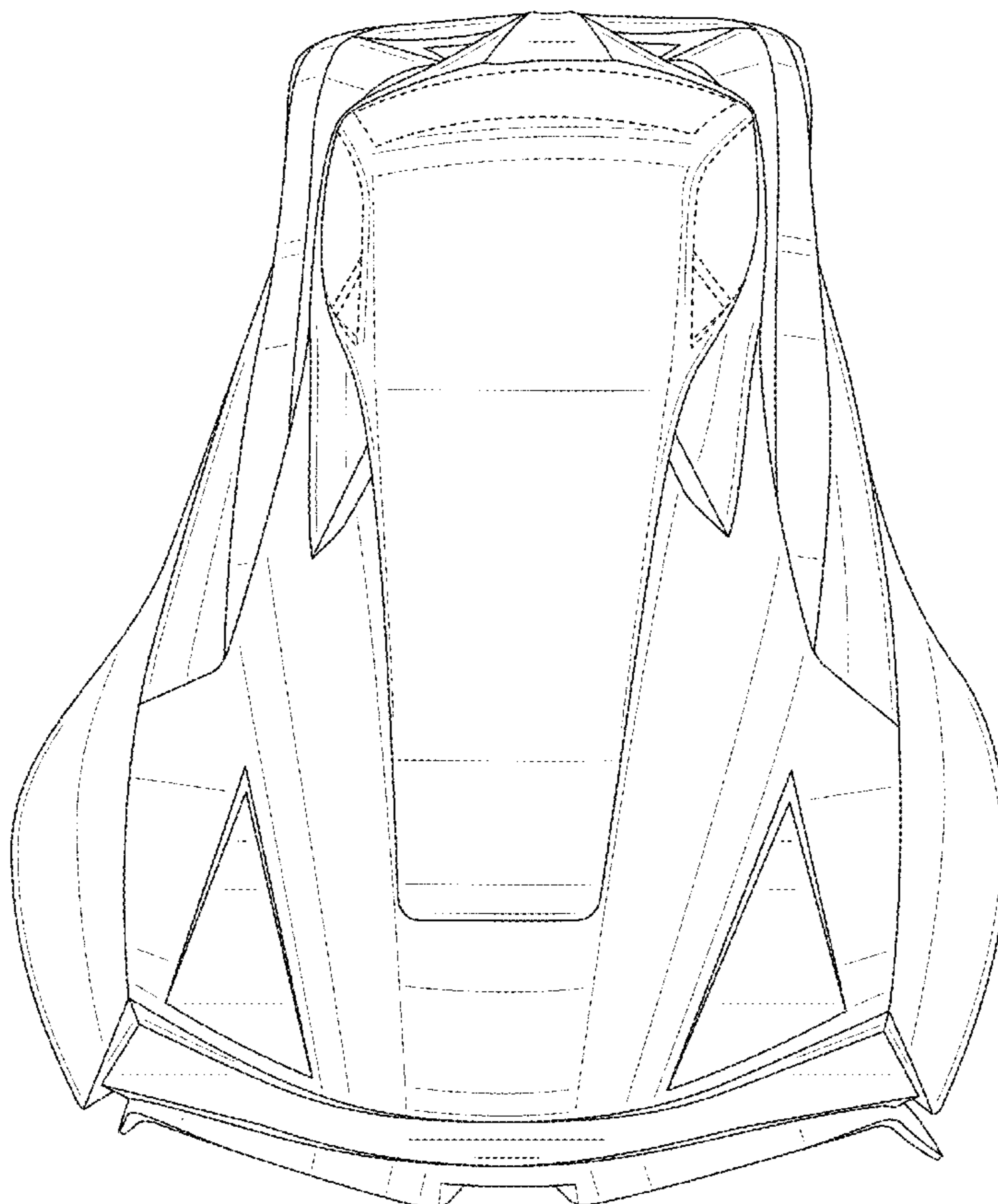
FIG. 8 is a right side elevational view thereof;

FIG. 9 is a rear elevational view thereof; and,

FIG. 10 is a front elevational view thereof.

The broken lines portions of a vehicle body are for illustrative purposes and form no part of the claimed design.

1 Claim, 9 Drawing Sheets



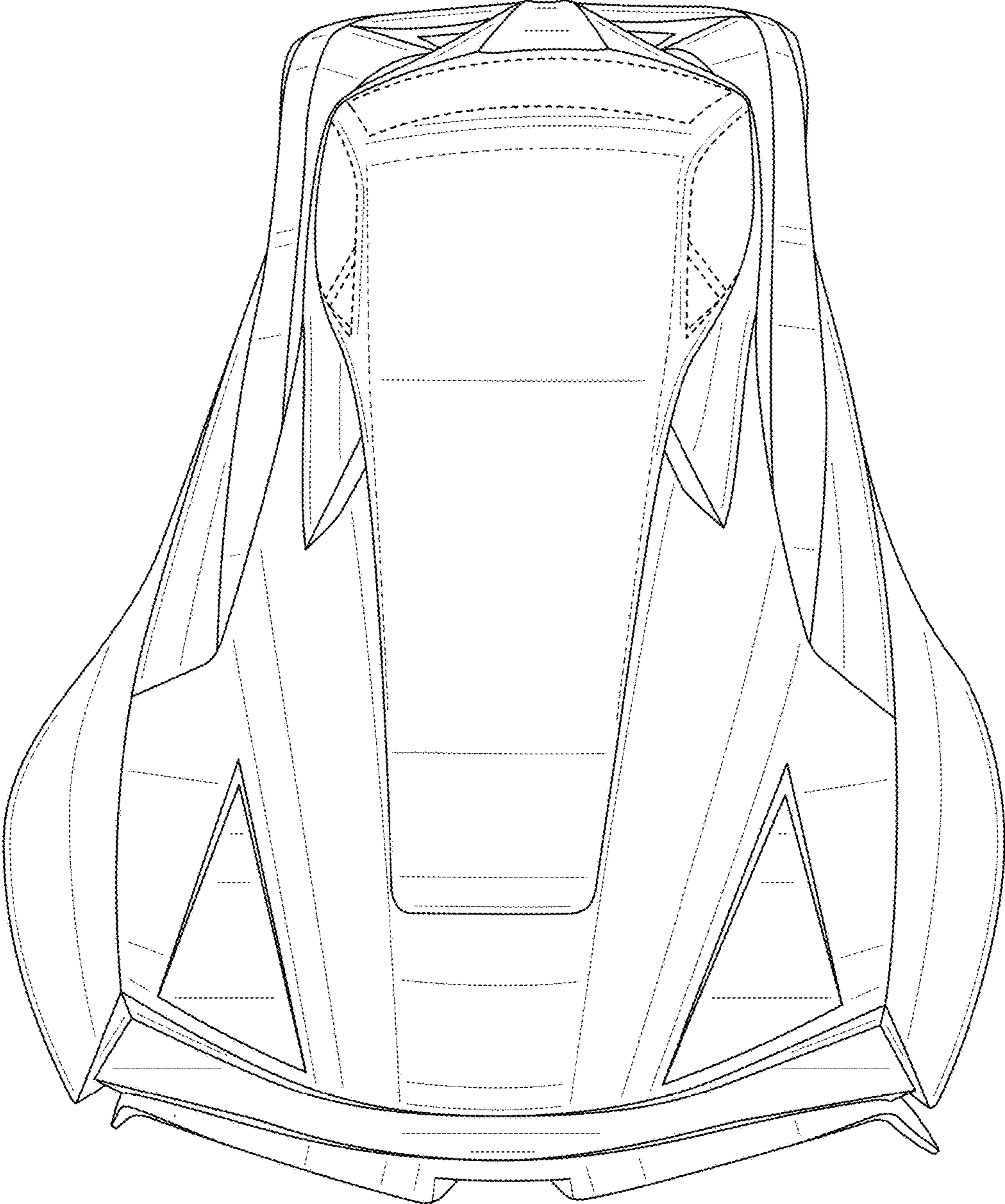


FIG. 1

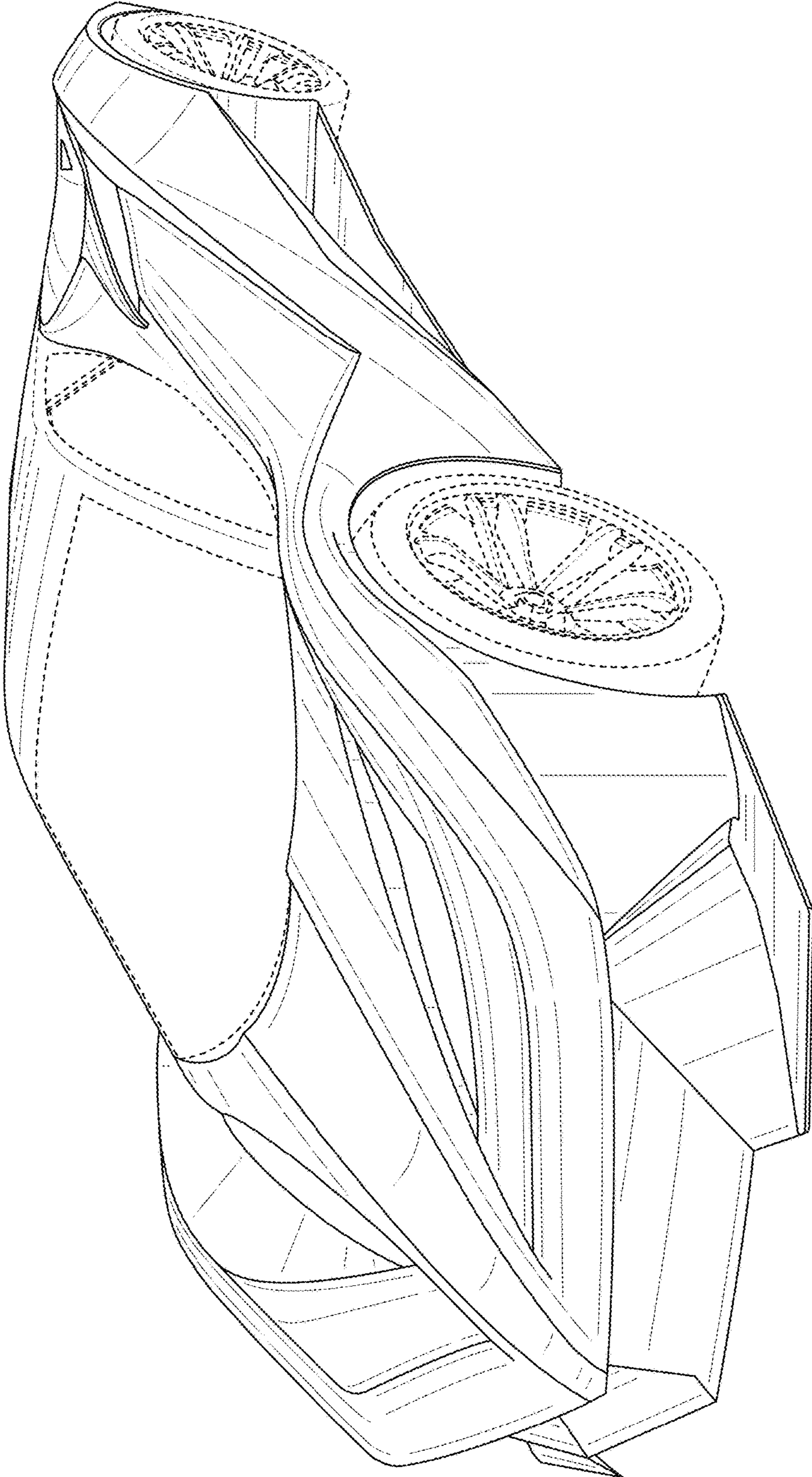


FIG. 2

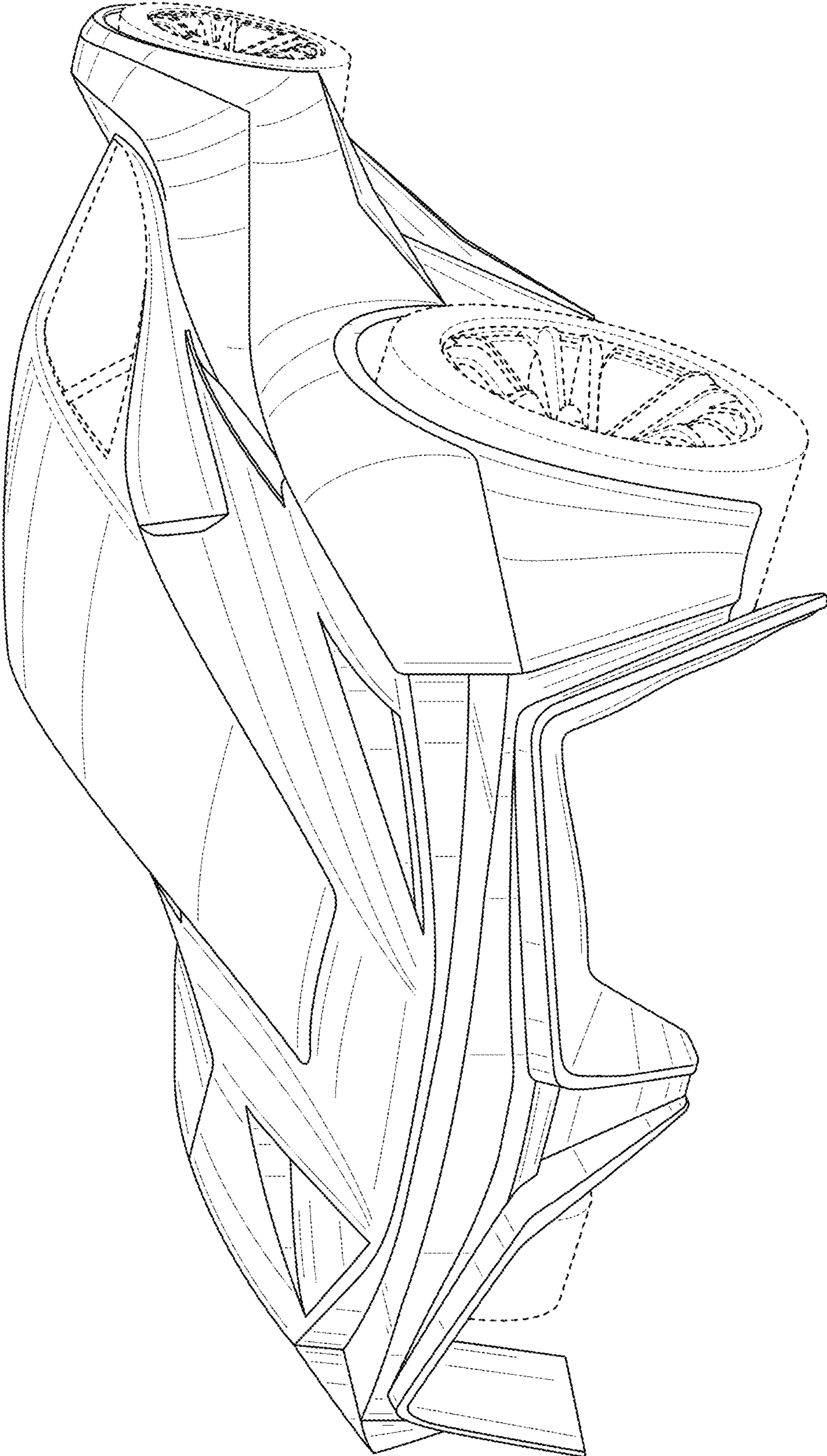


FIG. 3

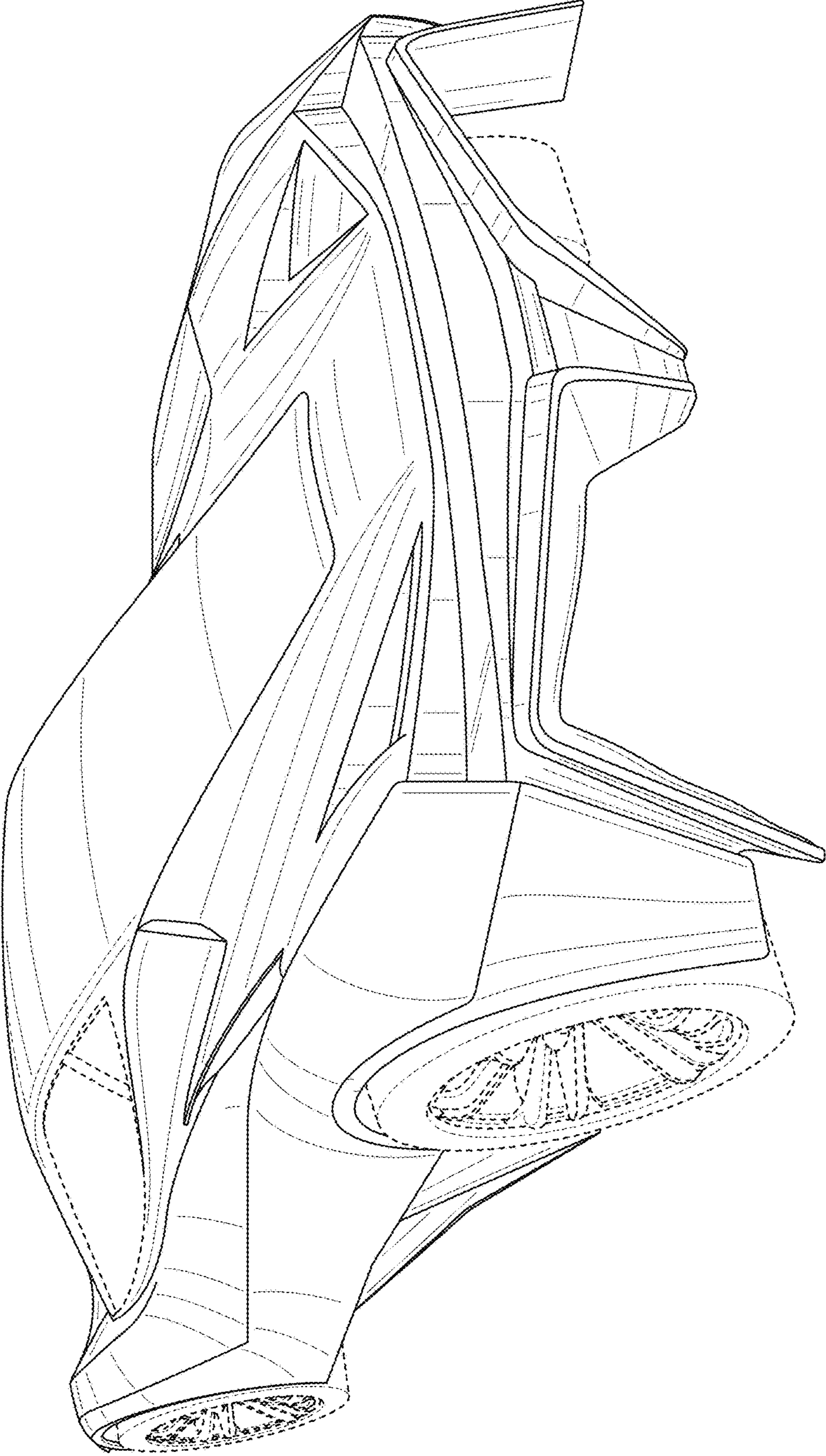


FIG. 4

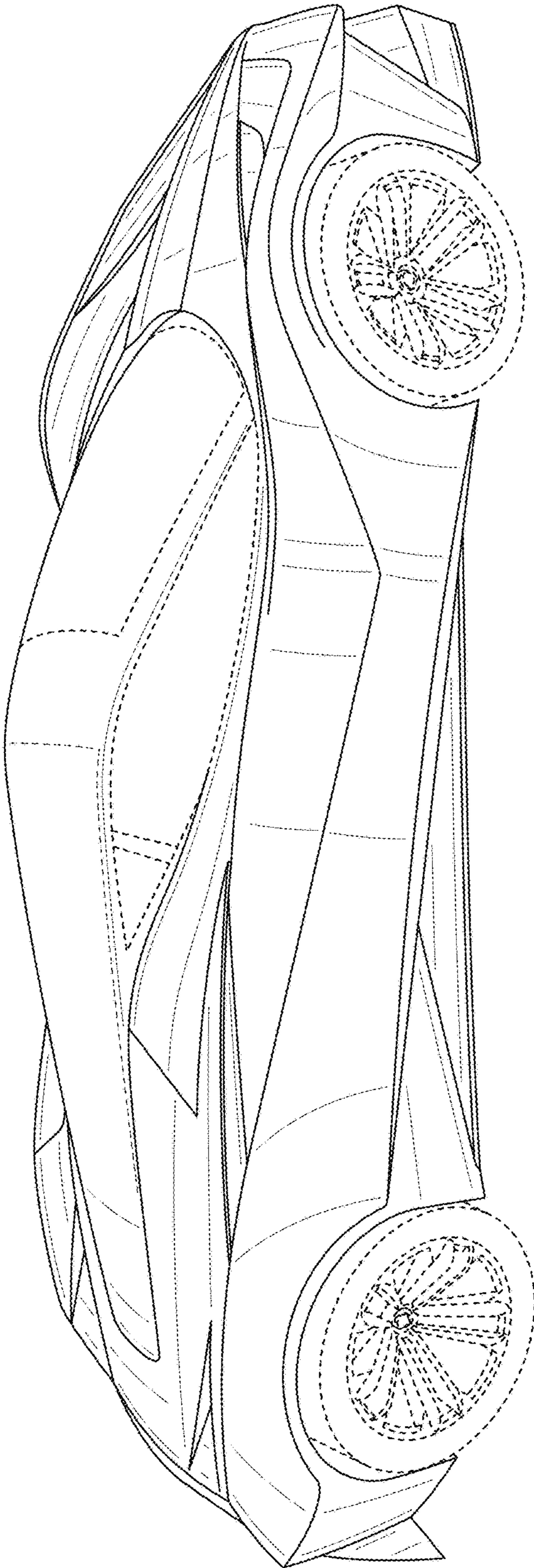


FIG. 5

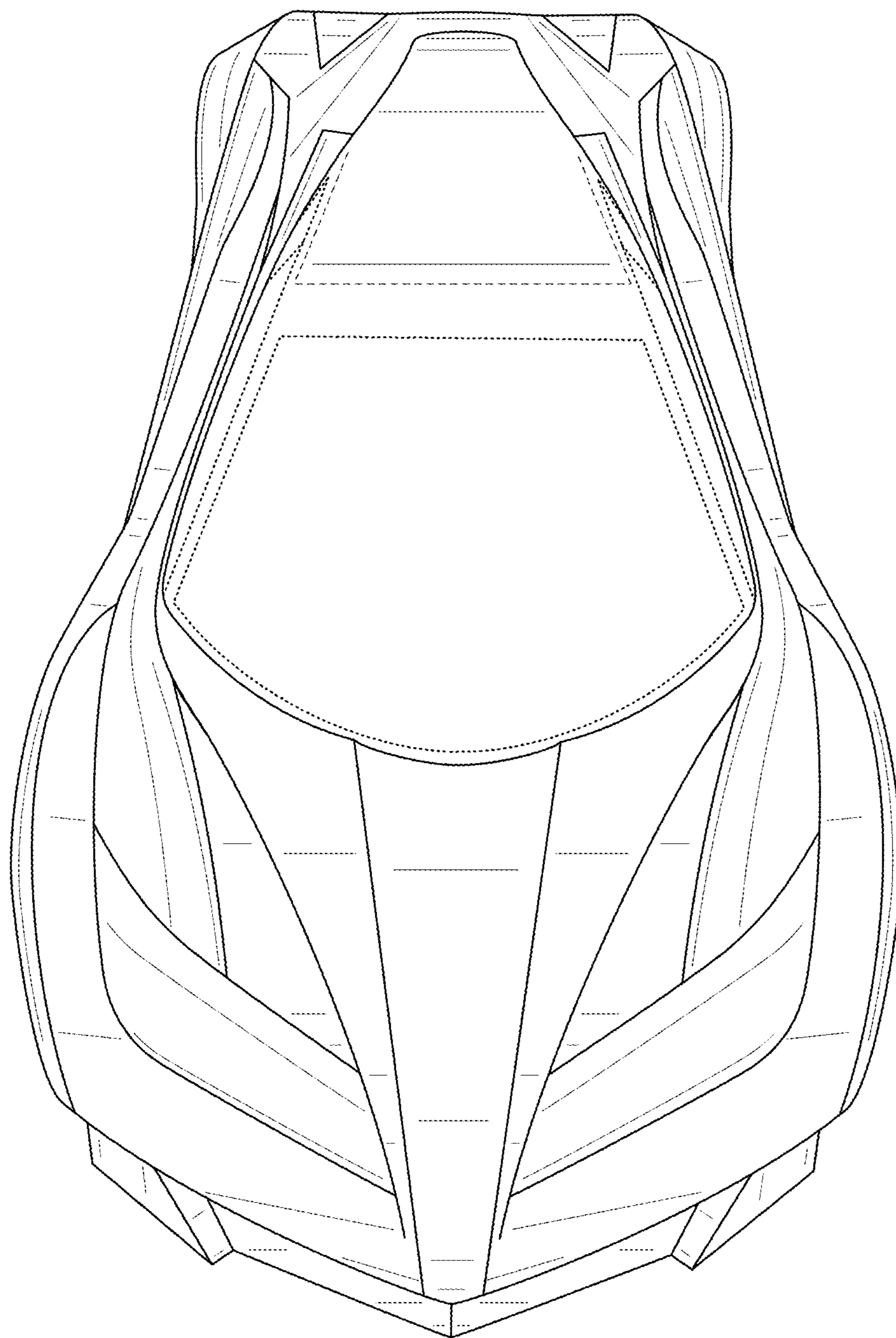


FIG. 6

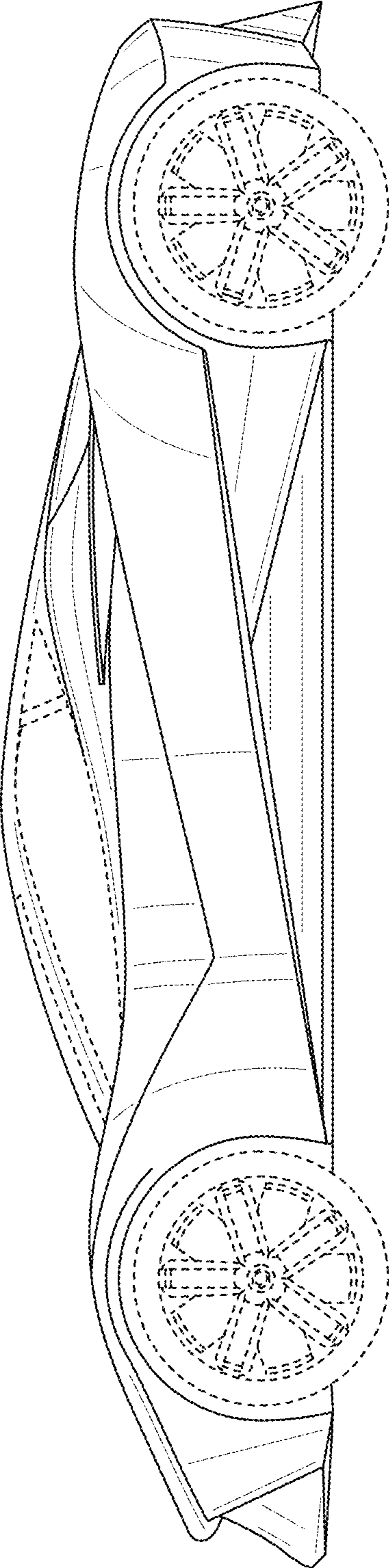


FIG. 7

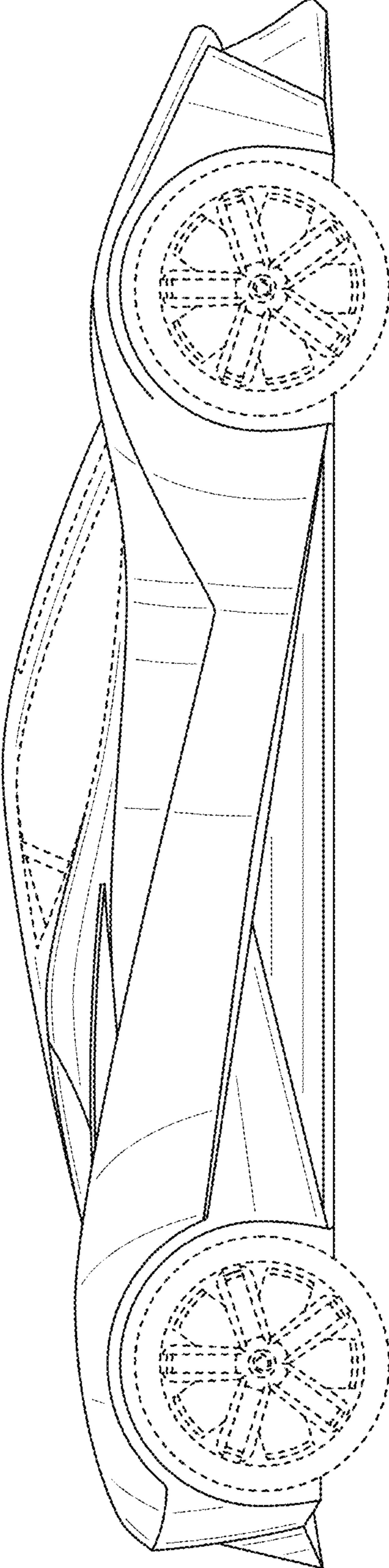


FIG. 8

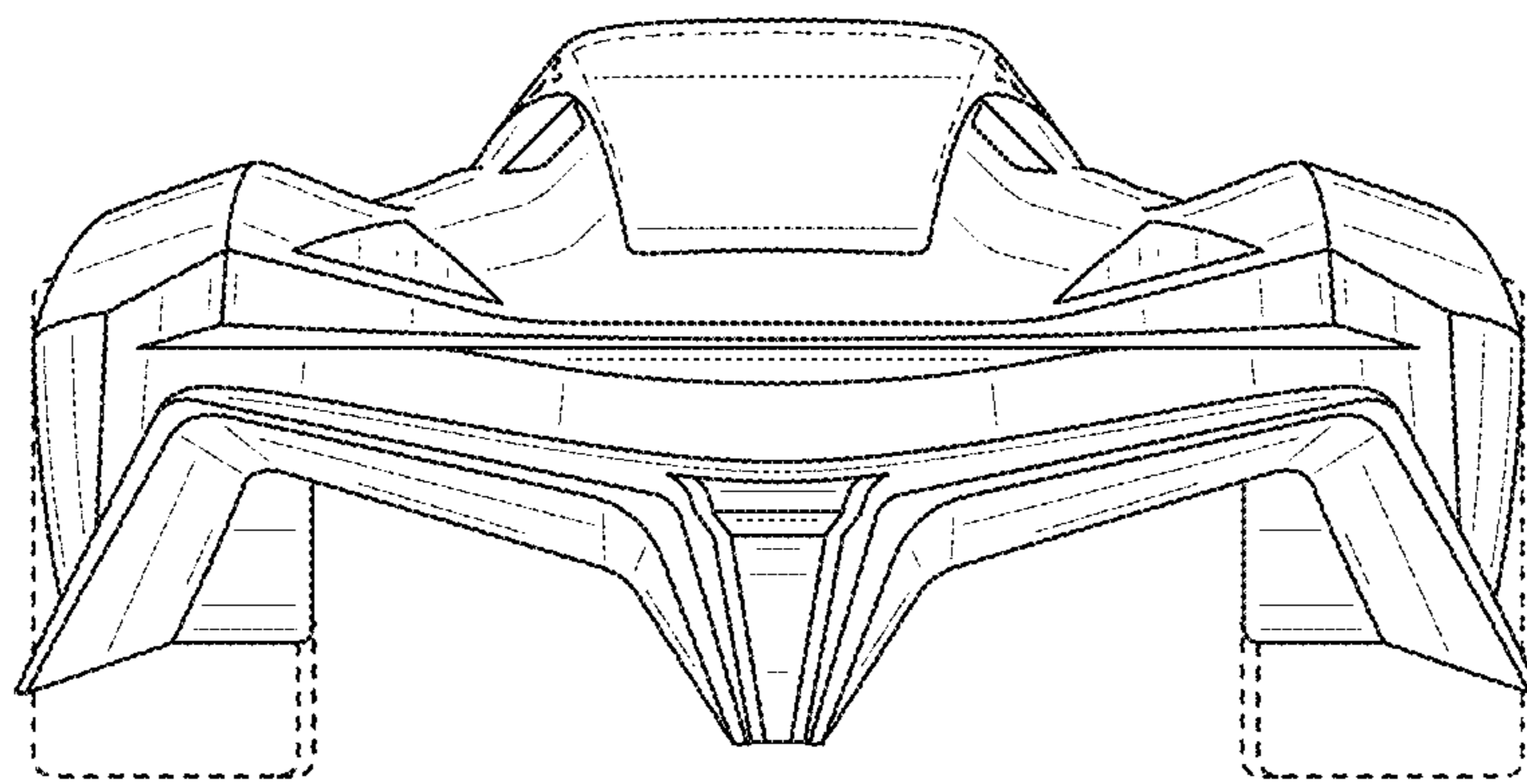


FIG. 9

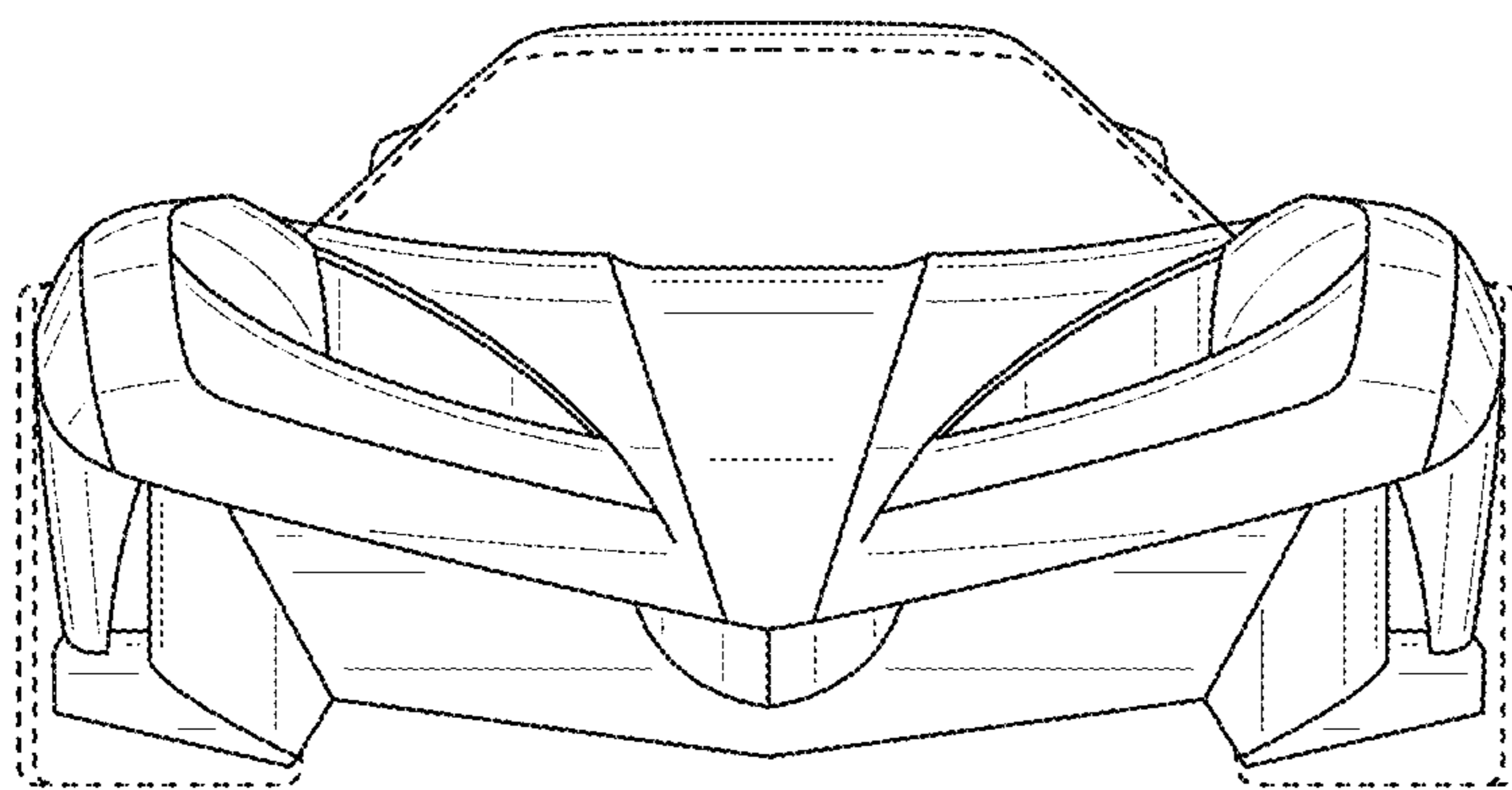


FIG. 10