



US00D783451S

(12) **United States Design Patent**  
**Vega**

(10) **Patent No.:** **US D783,451 S**

(45) **Date of Patent:** **\*\* Apr. 11, 2017**

- (54) **COLLAR CLIP**
- (71) Applicant: **Marco Vega**, Whittier, CA (US)
- (72) Inventor: **Marco Vega**, Whittier, CA (US)
- (\*\*) Term: **15 Years**
- (21) Appl. No.: **29/530,774**
- (22) Filed: **Jun. 19, 2015**
- (51) **LOC (10) Cl.** ..... **02-07**
- (52) **U.S. Cl.**  
USPC ..... **D11/215**
- (58) **Field of Classification Search**  
USPC .... D11/200–220, 86–88, 97, 99, 81, 43, 48,  
D11/66; 24/163 R, 169–171, 50; 40/618  
CPC ..... A44B 11/26; A44B 11/25  
See application file for complete search history.

- 2,492,423 A \* 12/1949 Gray ..... A63F 7/068  
273/108.1
- D295,501 S \* 5/1988 Brayford ..... D10/15
- D449,250 S \* 10/2001 Everett ..... D11/200
- D557,631 S \* 12/2007 Alfone ..... D11/212
- D703,574 S \* 4/2014 Tyson ..... D11/220

\* cited by examiner

*Primary Examiner* — Ralf Seifert

(74) *Attorney, Agent, or Firm* — Koppel, Patrick, Heybl & Philpott

(57) **CLAIM**

The ornamental design for a collar clip, as shown and described.

**DESCRIPTION**

FIG. 1 is a perspective view a collar clip showing my new design;  
 FIG. 2 is a front elevation view thereof;  
 FIG. 3 is a rear elevation view thereof;  
 FIG. 4 is a top plan view, the bottom plan view being a mirror image; and,  
 FIG. 5 is a right side elevation view, the left side elevation being a mirror image.

In the drawings, the broken lines depict unclaimed subject matter only and form no part of the claimed design.

(56) **References Cited**

**U.S. PATENT DOCUMENTS**

- D21,063 S \* 9/1891 Hubbard ..... D11/211
- D36,410 S \* 7/1903 Penfold ..... D11/107
- D41,412 S \* 5/1911 Baden-Powell ..... D11/108
- D67,889 S \* 7/1925 Hult ..... D11/100

**1 Claim, 2 Drawing Sheets**

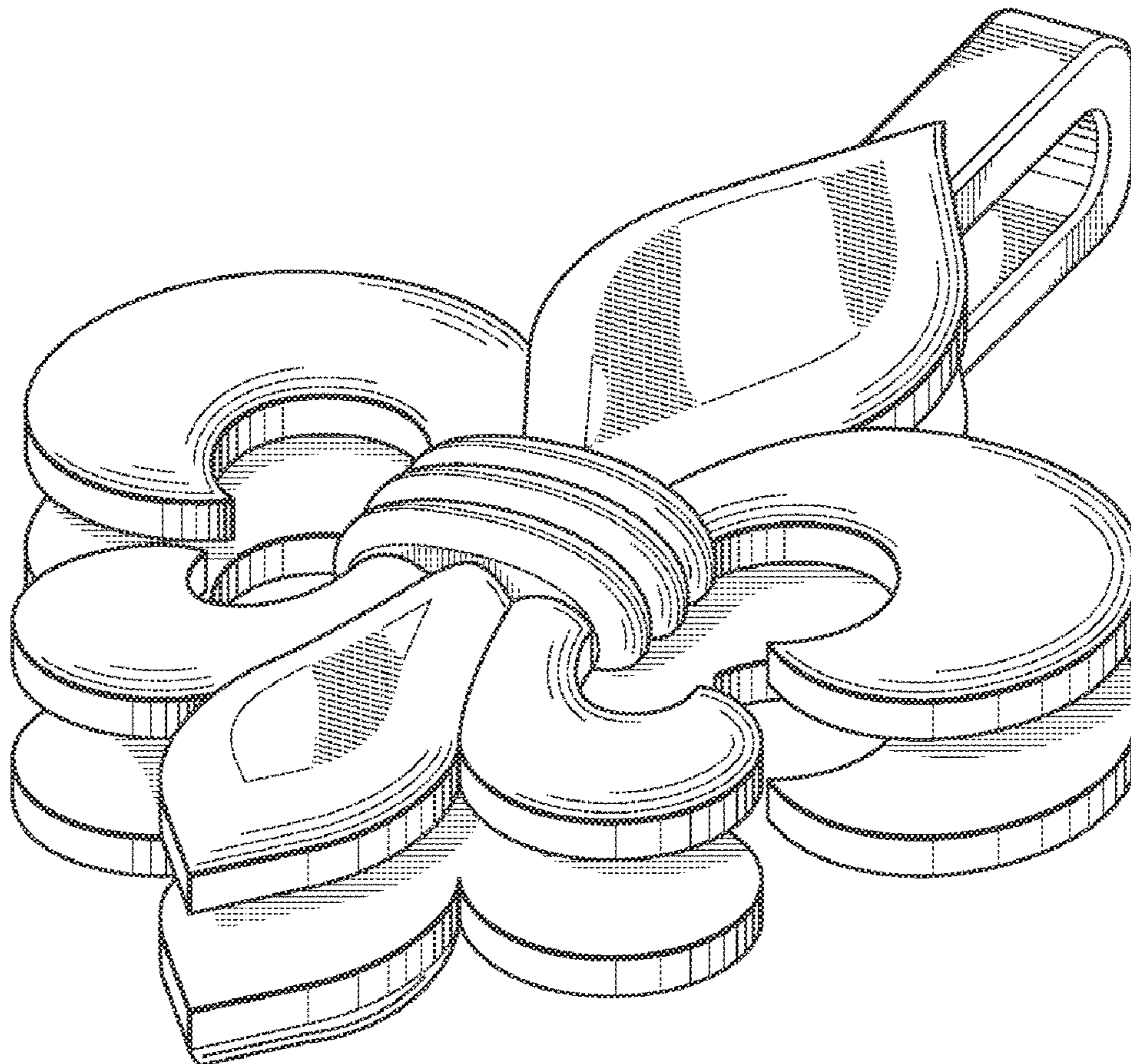


FIG. 1

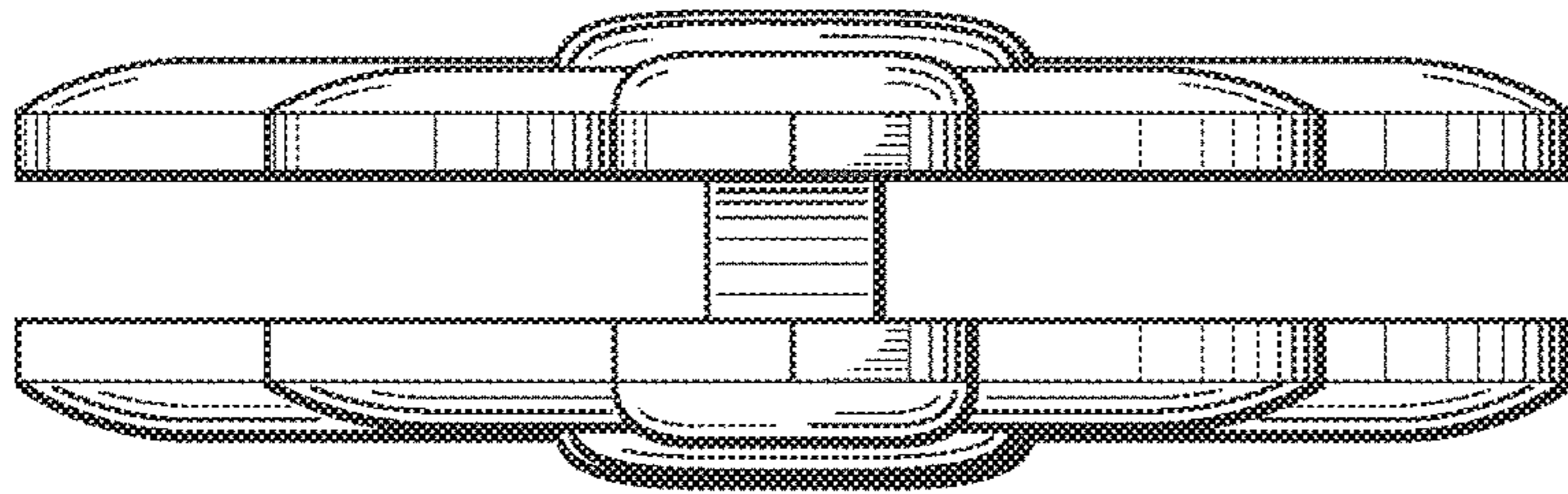
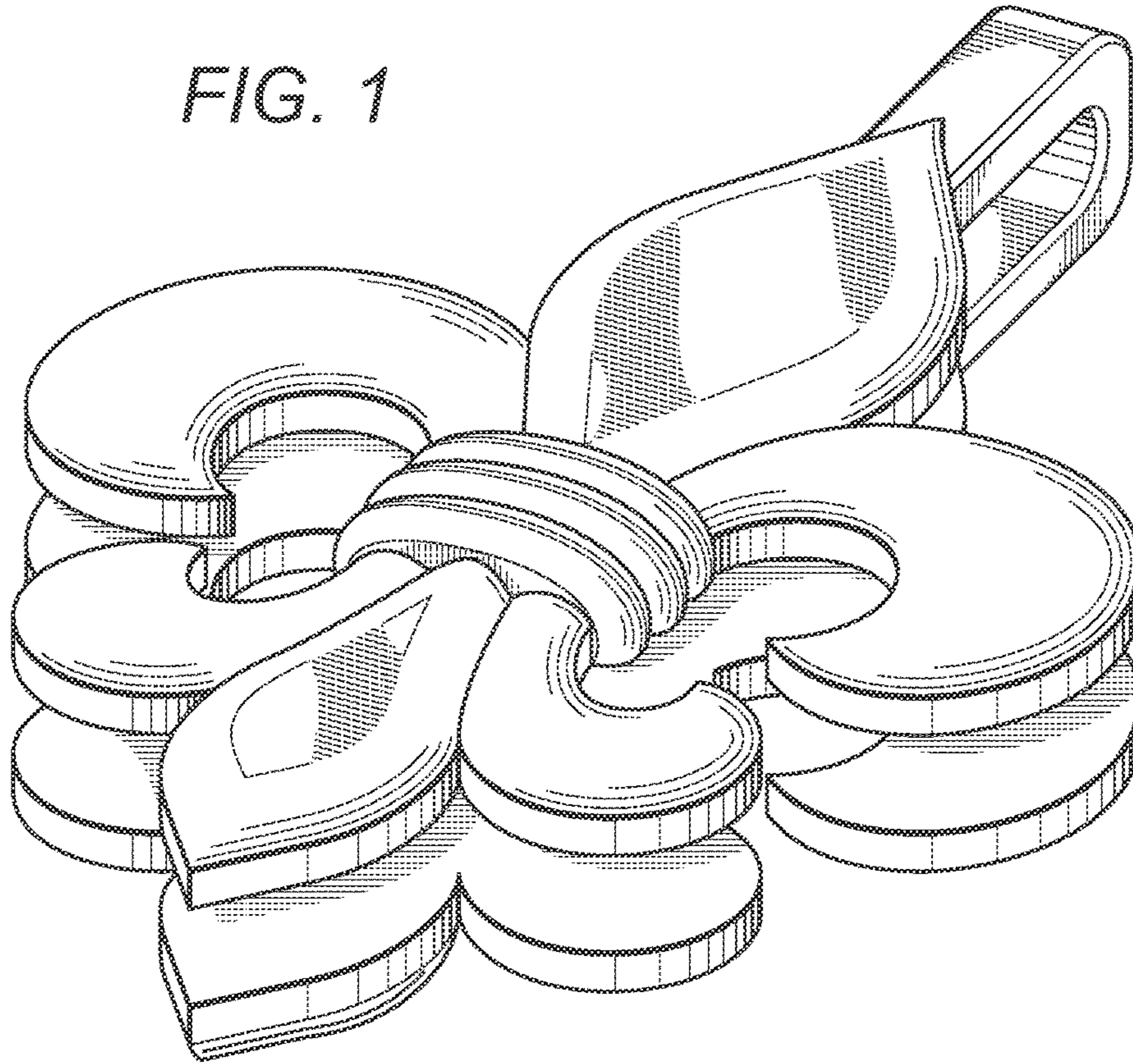
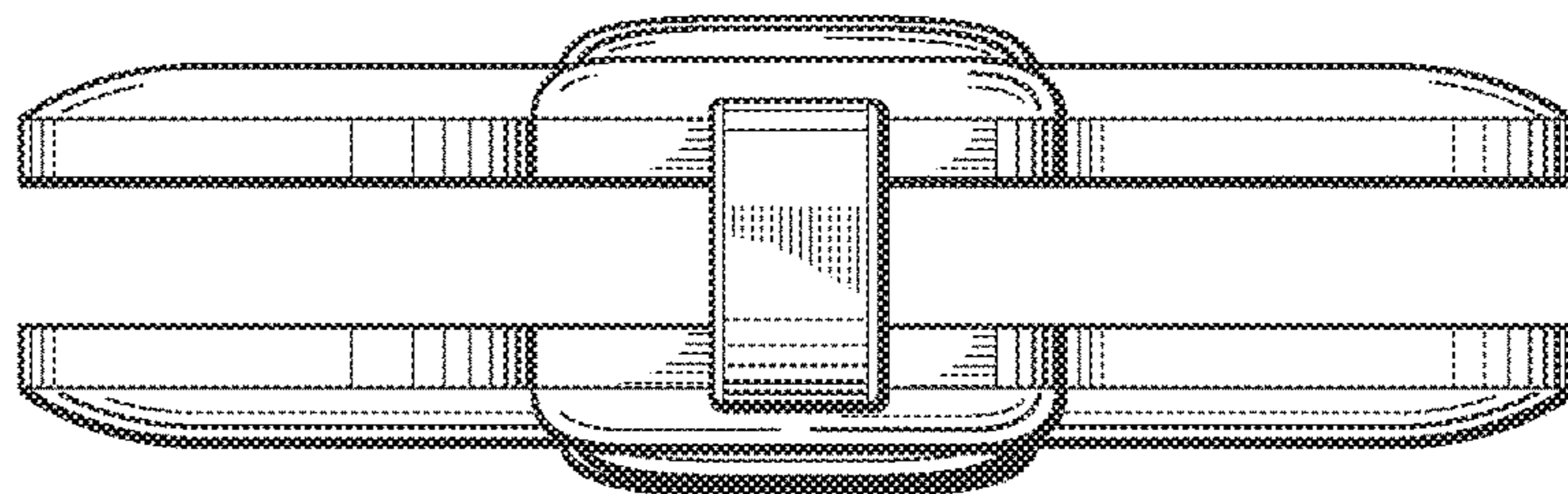


FIG. 2

FIG. 3



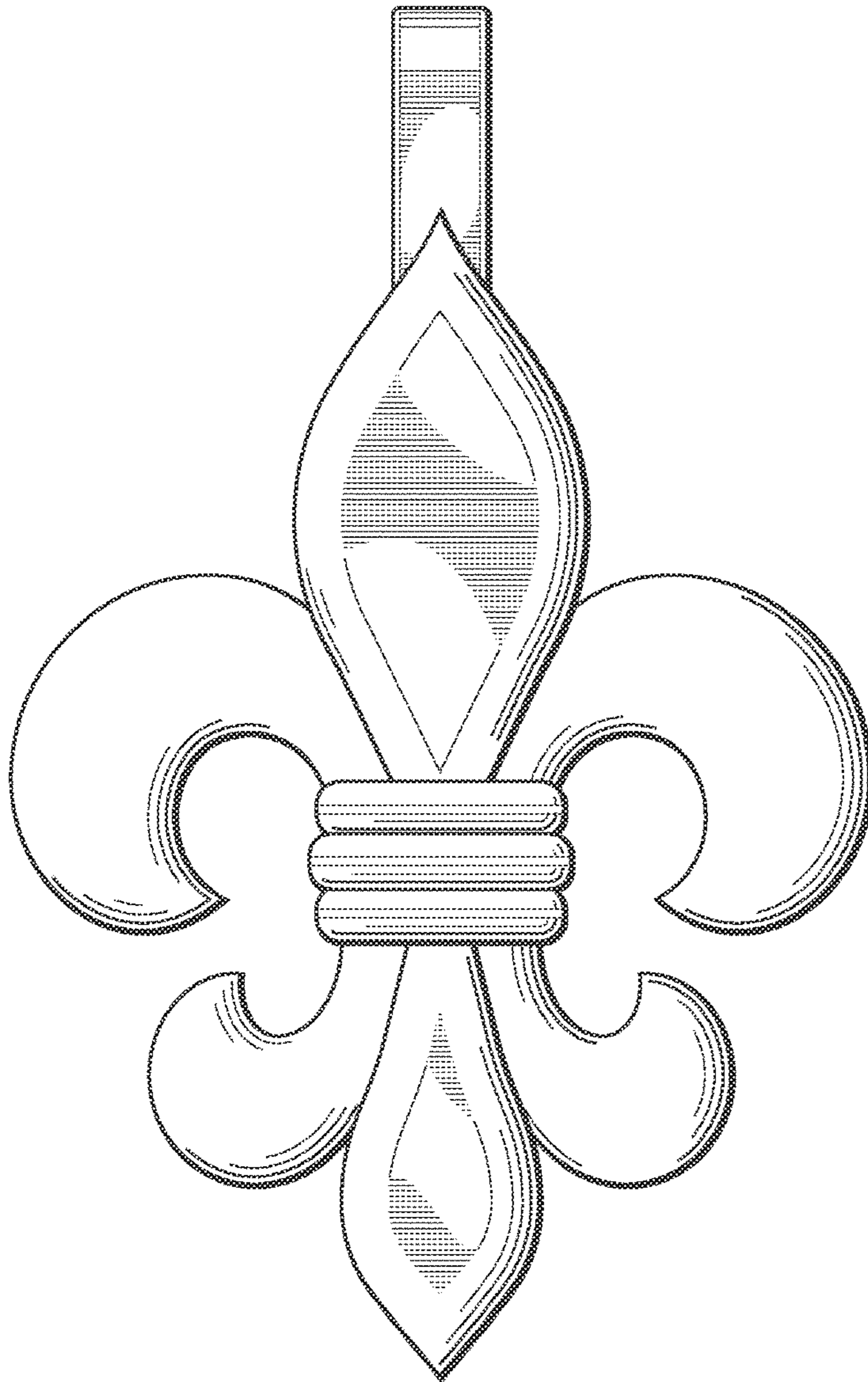


FIG. 4

FIG. 5

