



US00D783444S

(12) **United States Design Patent**  
**Zahra**

(10) **Patent No.:** **US D783,444 S**  
(45) **Date of Patent:** **\*\* Apr. 11, 2017**

- (54) **JEWELRY ARTICLE**
- (71) Applicant: **Martin Zahra**, Sanford, FL (US)
- (72) Inventor: **Martin Zahra**, Sanford, FL (US)
- (\*\*) Term: **14 Years**
- (21) Appl. No.: **29/496,952**
- (22) Filed: **Jul. 18, 2014**
- (51) **LOC (10) Cl.** ..... **11-01**
- (52) **U.S. Cl.**  
USPC ..... **D11/81**
- (58) **Field of Classification Search**  
USPC .... D11/1, 2, 7, 8, 40-54, 79-86, 90, 91, 92,  
D11/93, 56, 97, 98, 99; D3/207-211;  
D14/138 R, 138 AA, 138 AD, 138 C,  
D14/138 G  
CPC .. A44C 1/00; A44C 3/00; A44C 3/004; A44C  
3/005; A44C 3/007; A44C 3/008; A44C  
5/02; A44C 7/002; A44C 25/00; A44C  
25/001; A44C 25/002; A44C 25/004;  
A44C 25/005; A44C 25/007  
See application file for complete search history.

- 5,511,390 A \* 4/1996 Mah ..... A44C 25/00  
206/37.1
- 5,560,476 A \* 10/1996 Lee ..... A45C 11/18  
206/305
- D382,223 S \* 8/1997 Harrison ..... D11/80
- D413,017 S \* 8/1999 Masoud ..... D3/201
- D464,287 S \* 10/2002 Potter ..... D11/91
- D600,138 S \* 9/2009 Tang ..... D10/30
- 7,673,749 B2 \* 3/2010 Kosann ..... A45C 11/00  
206/449

(Continued)

**OTHER PUBLICATIONS**

[Online] [http://ecx.images-amazon.com/images/I/51XYx0Knf2L.\\_UY395\\_.jpg](http://ecx.images-amazon.com/images/I/51XYx0Knf2L._UY395_.jpg). Retrieved Mar. 1, 2016.\*

(Continued)

*Primary Examiner* — Melanie Pellegrini  
(74) *Attorney, Agent, or Firm* — Allen Dyer Doppelt  
Milbrath & Gilchrist

(57) **CLAIM**

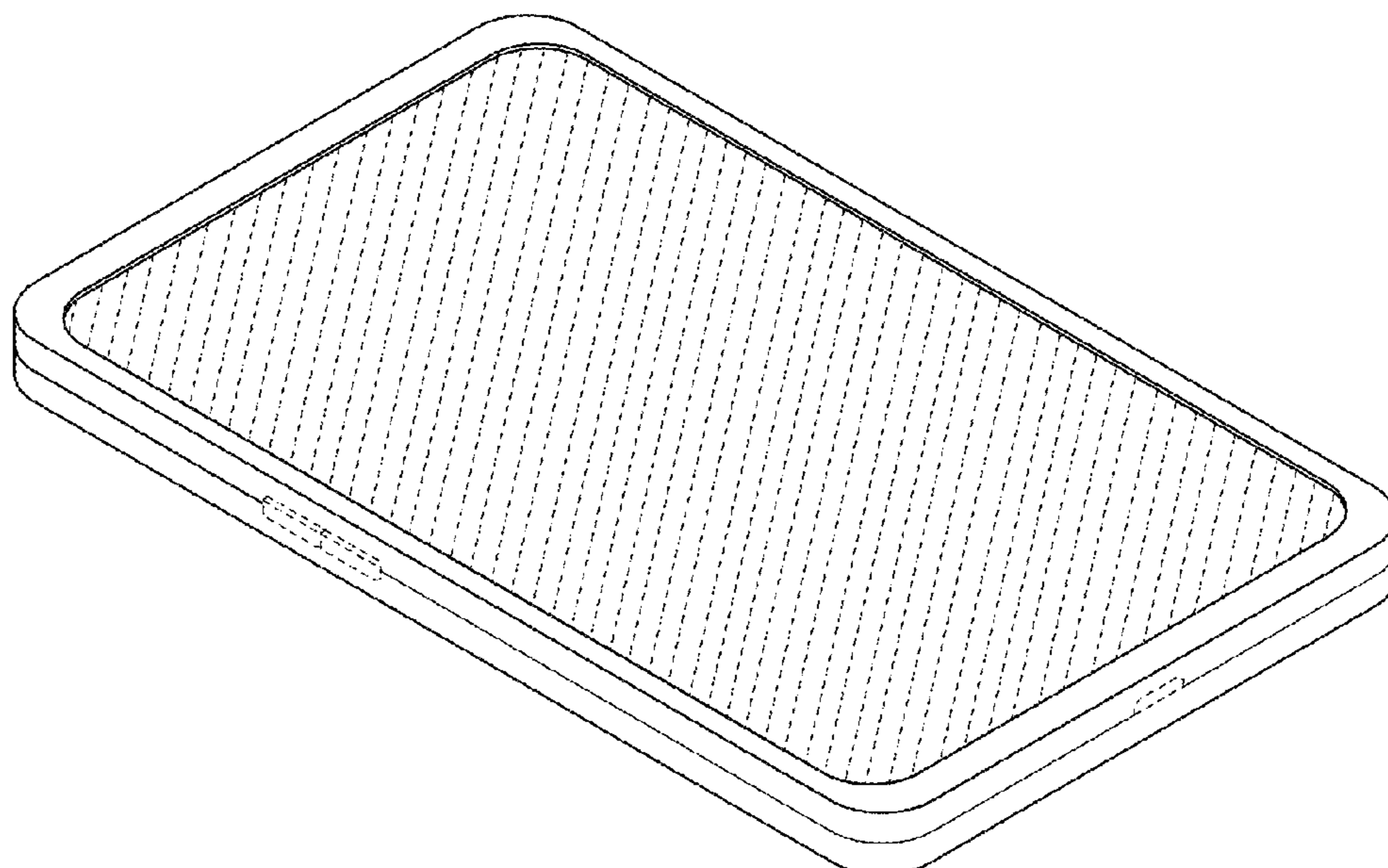
The ornamental design for a jewelry article, as shown and described.

**DESCRIPTION**

FIG. 1 is a top, left and front perspective view of jewelry article showing my new design;  
FIG. 2 is a bottom, right and rear perspective view thereof;  
FIG. 3 is a top plan view thereof;  
FIG. 4 is a front elevational view thereof;  
FIG. 5 is a rear elevational view thereof;  
FIG. 6 is a left side view thereof;  
FIG. 7 is a right side view thereof; and,  
FIG. 8 is a rear view thereof.  
The broken lines in the drawings represent portions of the jewelry article which form no part of the claimed design.

**1 Claim, 8 Drawing Sheets**

- (56) **References Cited**  
U.S. PATENT DOCUMENTS  
354,144 A \* 12/1886 Inman ..... A44C 25/004  
63/19  
2,129,491 A \* 9/1938 Chilson ..... A44C 25/004  
24/265 WS  
2,596,716 A \* 5/1952 Otten ..... A45C 11/323  
206/37.1  
3,079,771 A \* 3/1963 Donle ..... A44C 25/004  
40/735  
D302,957 S \* 8/1989 Saxon ..... D11/80  
D337,569 S \* 7/1993 Kando ..... D14/341  
D343,140 S \* 1/1994 Sperandio ..... D11/79



(56)

**References Cited**

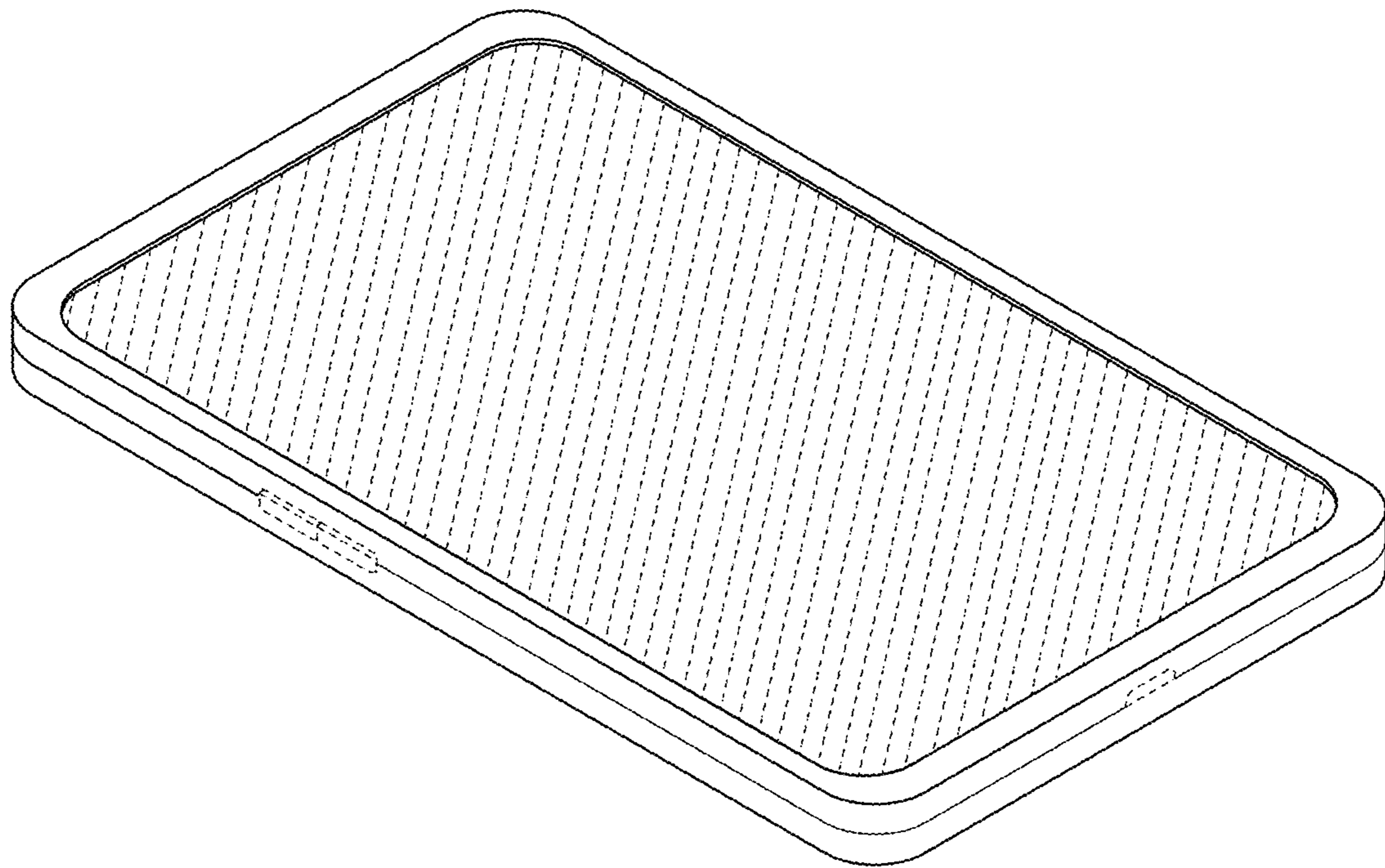
U.S. PATENT DOCUMENTS

D654,887 S \* 2/2012 McManigal ..... D14/138 G  
D663,711 S \* 7/2012 Lee ..... D14/138 G  
D668,627 S \* 10/2012 Chung ..... D14/138 G  
D671,514 S \* 11/2012 Kim ..... D14/138 G  
D685,338 S \* 7/2013 Park ..... D14/138 G  
D697,889 S \* 1/2014 Ahn ..... D14/138 G  
D712,400 S \* 9/2014 Kim ..... D14/341  
D723,493 S \* 3/2015 Weng ..... D14/138 G  
D736,203 S \* 8/2015 Kim ..... D14/341  
D739,402 S \* 9/2015 Seoc ..... D14/341  
D747,308 S \* 1/2016 Myung ..... D14/341  
2008/0229641 A1 \* 9/2008 Slautterback ..... A44C 1/00  
40/773

OTHER PUBLICATIONS

[Onlnie] [https://img0.etsystatic.com/105/0/8585841/il\\_214x170.917469208\\_3ktv.jpg](https://img0.etsystatic.com/105/0/8585841/il_214x170.917469208_3ktv.jpg). Retrieved Mar. 1, 2016.\*

\* cited by examiner



**FIG. 1**

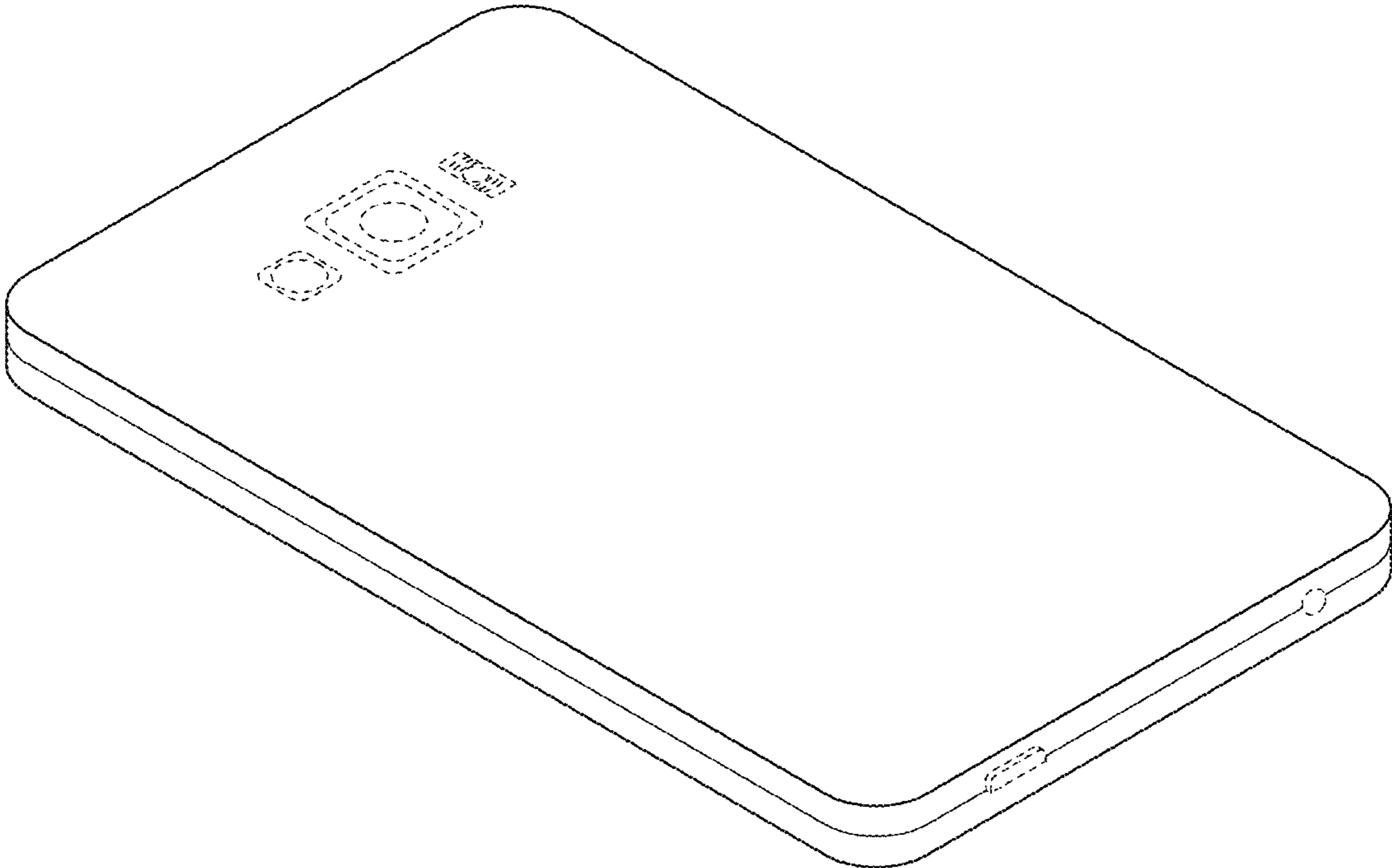
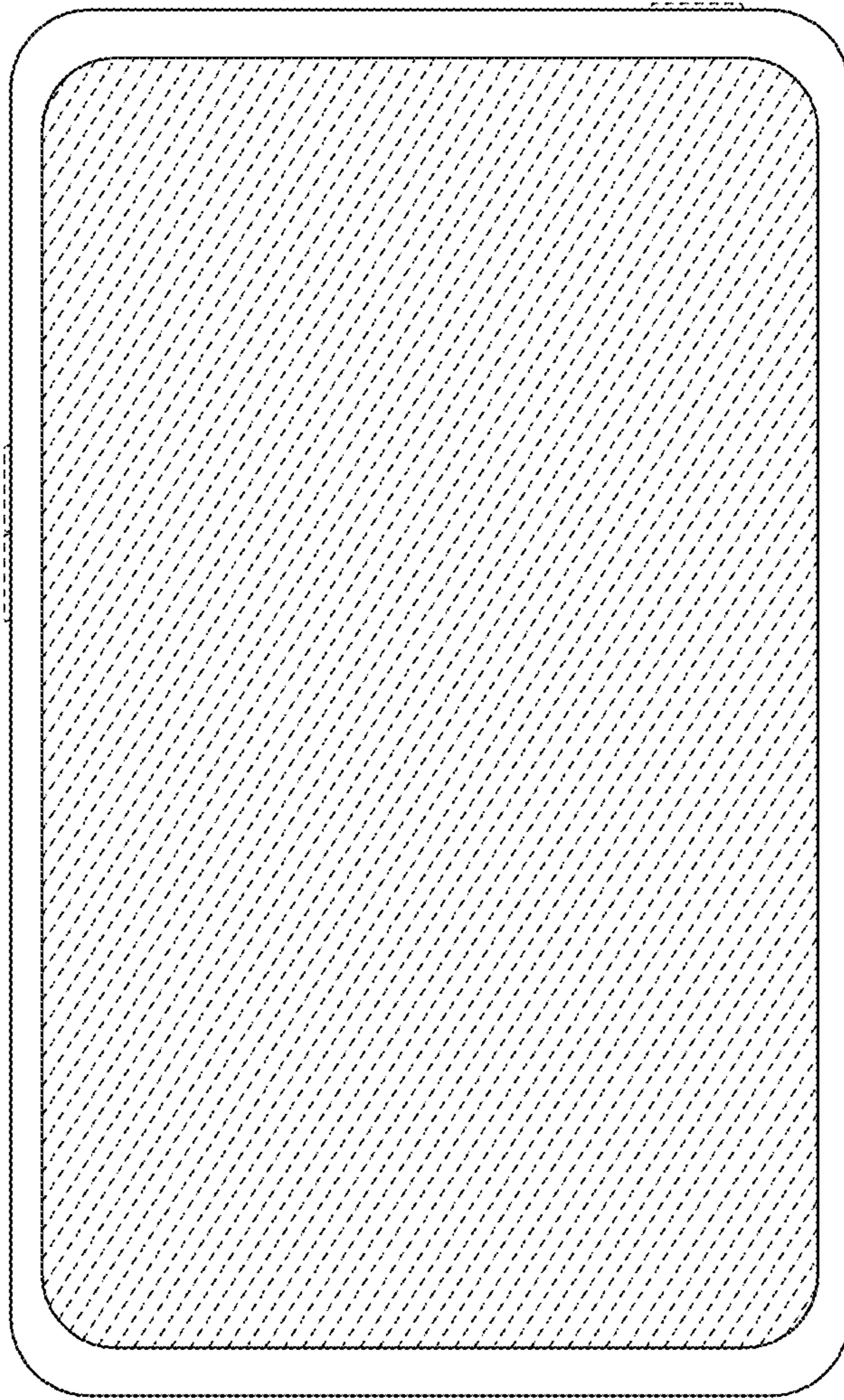
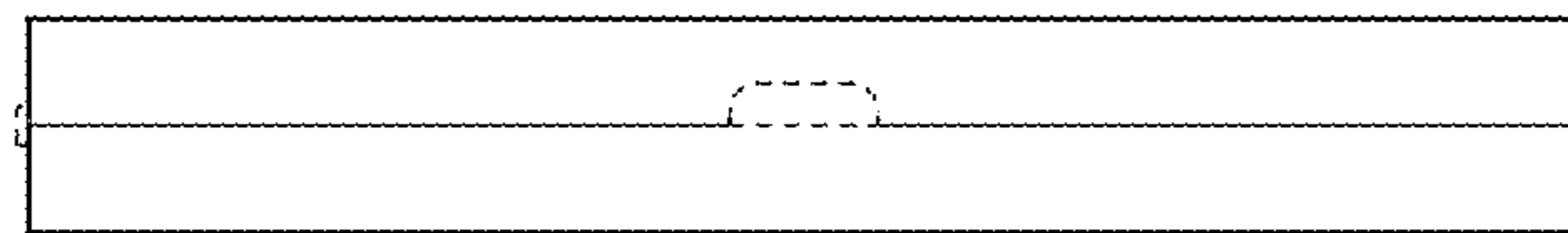


FIG. 2



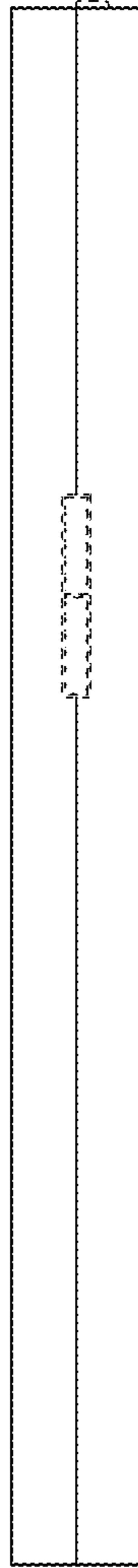
**FIG. 3**



**FIG. 4**

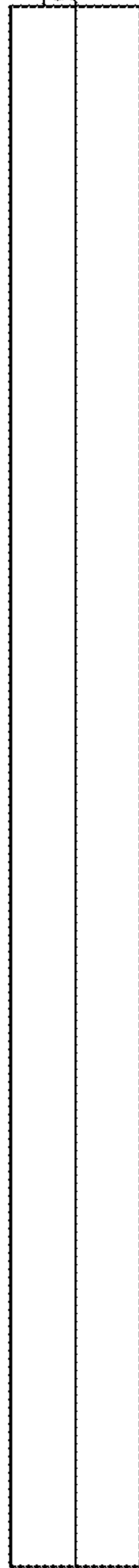


**FIG. 5**

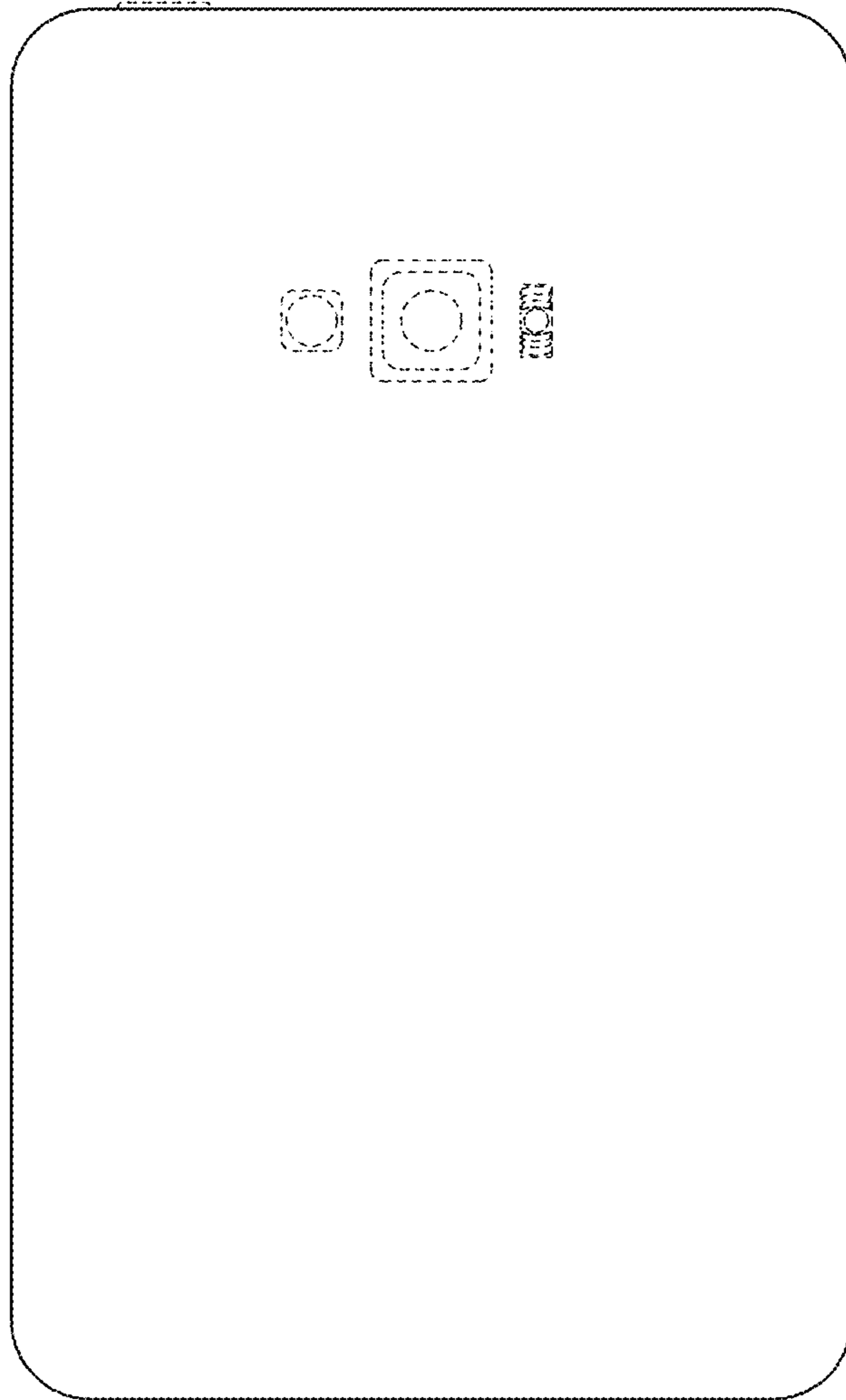


**FIG. 6**





**FIG. 7**



**FIG. 8**