



US00D783436S

(12) **United States Design Patent**  
**Goltche**

(10) **Patent No.:** **US D783,436 S**

(45) **Date of Patent:** **\*\* Apr. 11, 2017**

(54) **LIGHT BAR**

(71) Applicant: **Yehuda Goltche**, Great Neck, NY (US)

(72) Inventor: **Yehuda Goltche**, Great Neck, NY (US)

(\*\*) Term: **15 Years**

(21) Appl. No.: **29/579,125**

(22) Filed: **Sep. 28, 2016**

**Related U.S. Application Data**

(63) Continuation-in-part of application No. 29/559,208, filed on Mar. 25, 2016.

(51) **LOC (10) Cl.** ..... **10-05**

(52) **U.S. Cl.**  
USPC ..... **D10/114.4**

(58) **Field of Classification Search**  
USPC ..... D26/72, 76, 80, 90, 107, 118, 120;  
D10/114.4

CPC ... F21S 2/005; F21S 4/28; F21S 10/06; F21V  
21/0832; Y10S 362/806; B60Q 1/52;  
B60Q 1/26; B60Q 1/2611

See application file for complete search history.

(56) **References Cited**

**U.S. PATENT DOCUMENTS**

- D476,253 S \* 6/2003 Stein ..... D10/114.4
- D602,391 S \* 10/2009 Stein ..... D10/114.4
- 7,854,531 B1 \* 12/2010 Lyons ..... B60Q 1/2611  
362/217.01
- D632,199 S \* 2/2011 Jacobs ..... D10/114.4
- D658,526 S \* 5/2012 Shin ..... D10/114.4
- D682,135 S \* 5/2013 Grote, Jr. .... D10/114.4
- D700,098 S \* 2/2014 Deyaf ..... D10/114.4
- D722,718 S \* 2/2015 Chen ..... D26/72

- D751,444 S \* 3/2016 Goltche ..... D10/114.4
- D751,445 S \* 3/2016 Goltche ..... D10/114.4
- 2009/0116257 A1 \* 5/2009 Rosemeyer ..... B60Q 1/2611  
362/493
- 2010/0085181 A1 \* 4/2010 Brooking ..... B60Q 1/2611  
340/468
- 2011/0254424 A1 \* 10/2011 Kuo ..... B60Q 1/2611  
313/46
- 2012/0099338 A1 \* 4/2012 Yu ..... B60Q 1/2611  
362/543

\* cited by examiner

*Primary Examiner* — Clare E Heflin

(74) *Attorney, Agent, or Firm* — Dunlap Bennett & Ludwig PLLC

(57) **CLAIM**

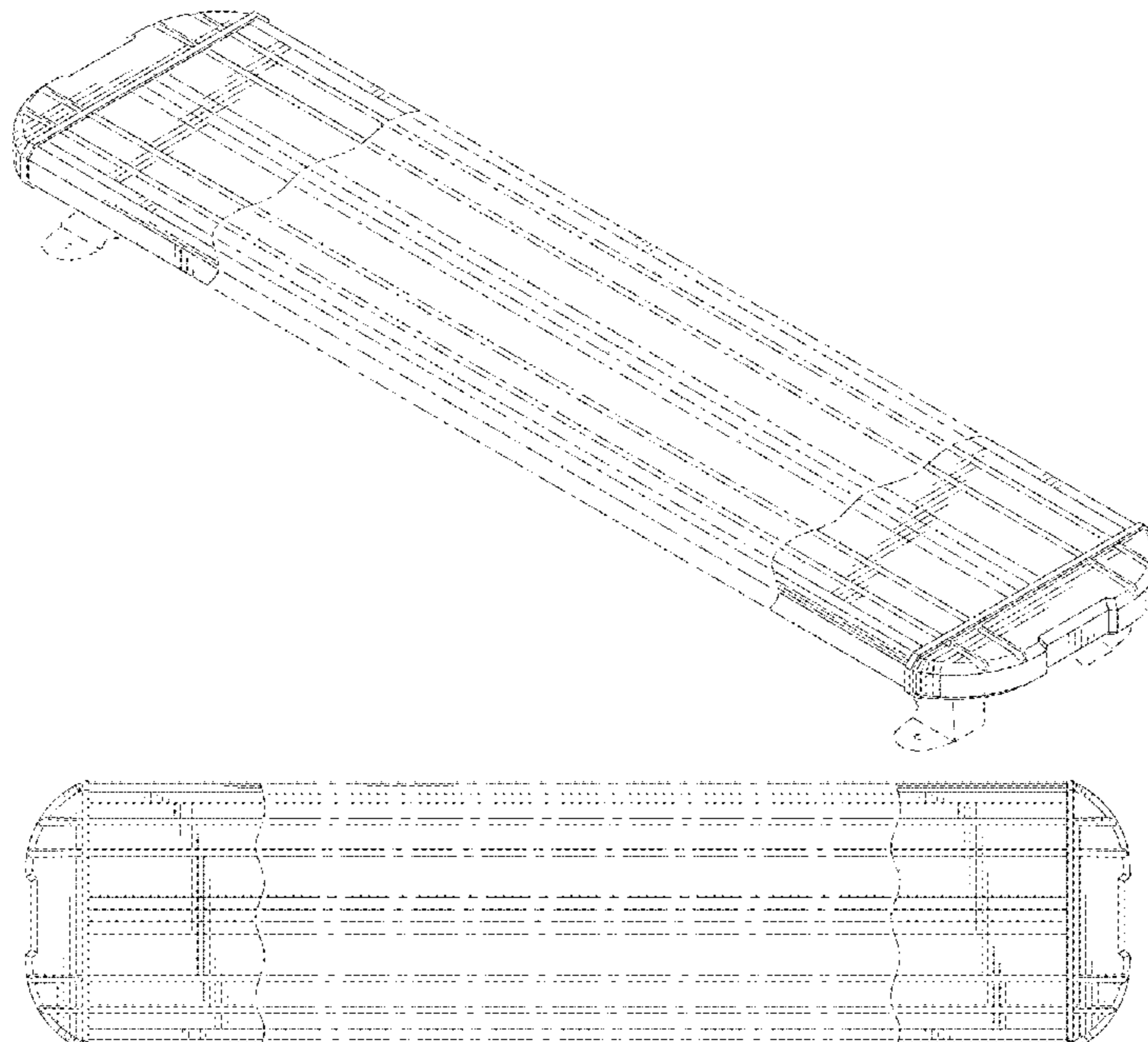
The ornamental design for a light bar, as shown and described.

**DESCRIPTION**

FIG. 1 is a top front perspective view of a light bar;  
 FIG. 2 is a top plan view of FIG. 1;  
 FIG. 3 is a bottom plan view of FIG. 1;  
 FIG. 4 is a front elevation view of FIG. 1, the rear elevation being a mirror image thereof;  
 FIG. 5 is a right side elevation view of FIG. 1, the left side elevation being a mirror image thereof; and,  
 FIG. 6 is a partial section view of FIG. 4, taken along lines 6-6.

The broken lines shown in the drawings depict portions of the light bar that form no part of the claimed design.

**1 Claim, 3 Drawing Sheets**



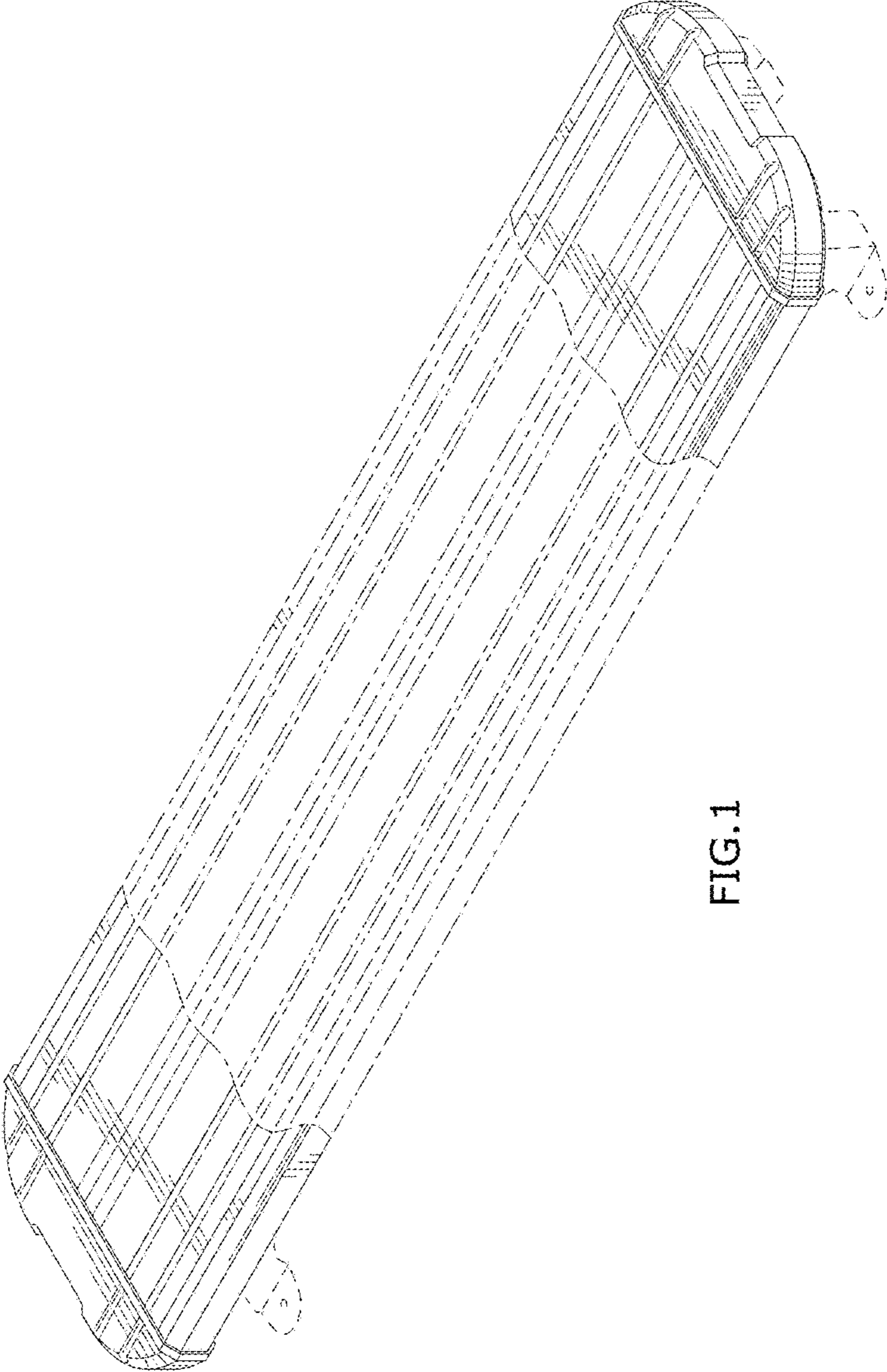


FIG.1

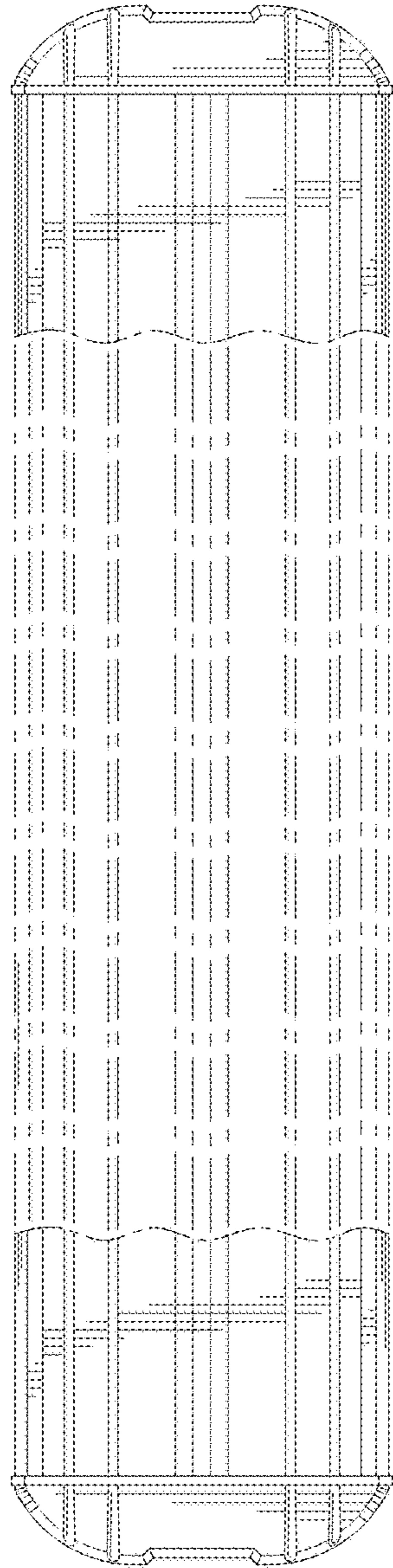


FIG. 2

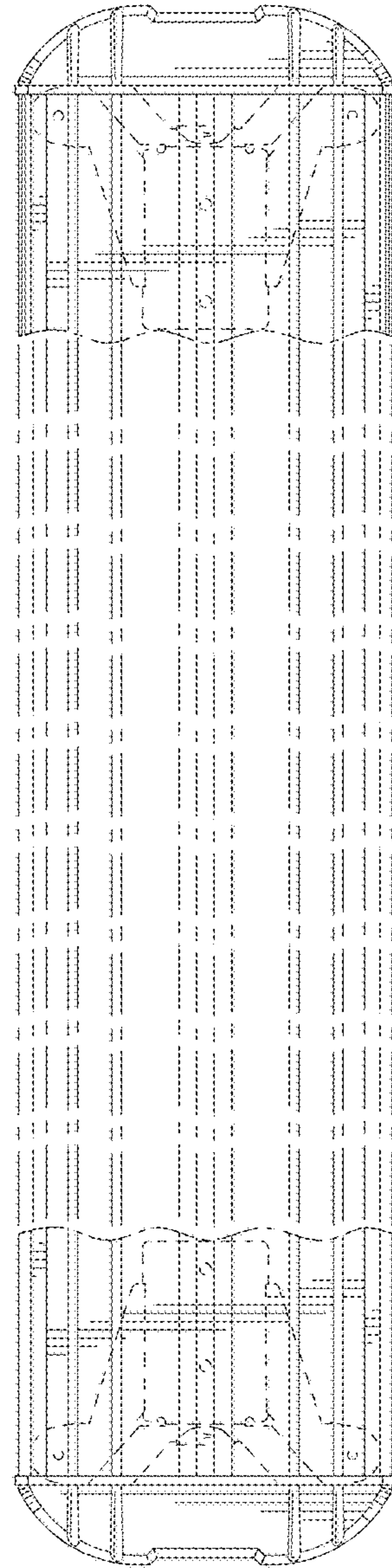


FIG. 3



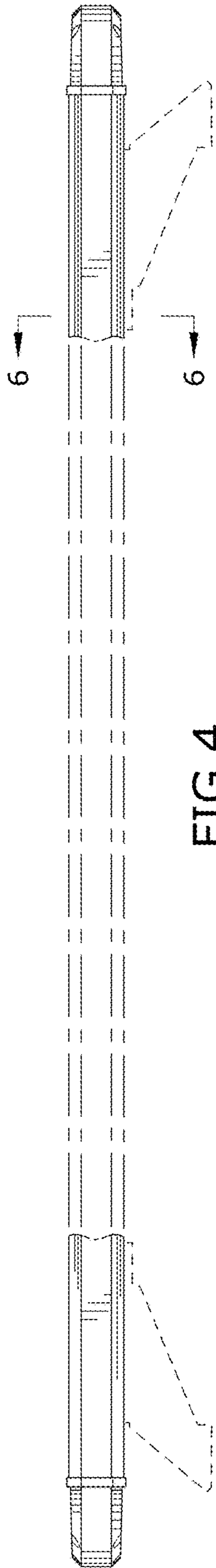


FIG. 4

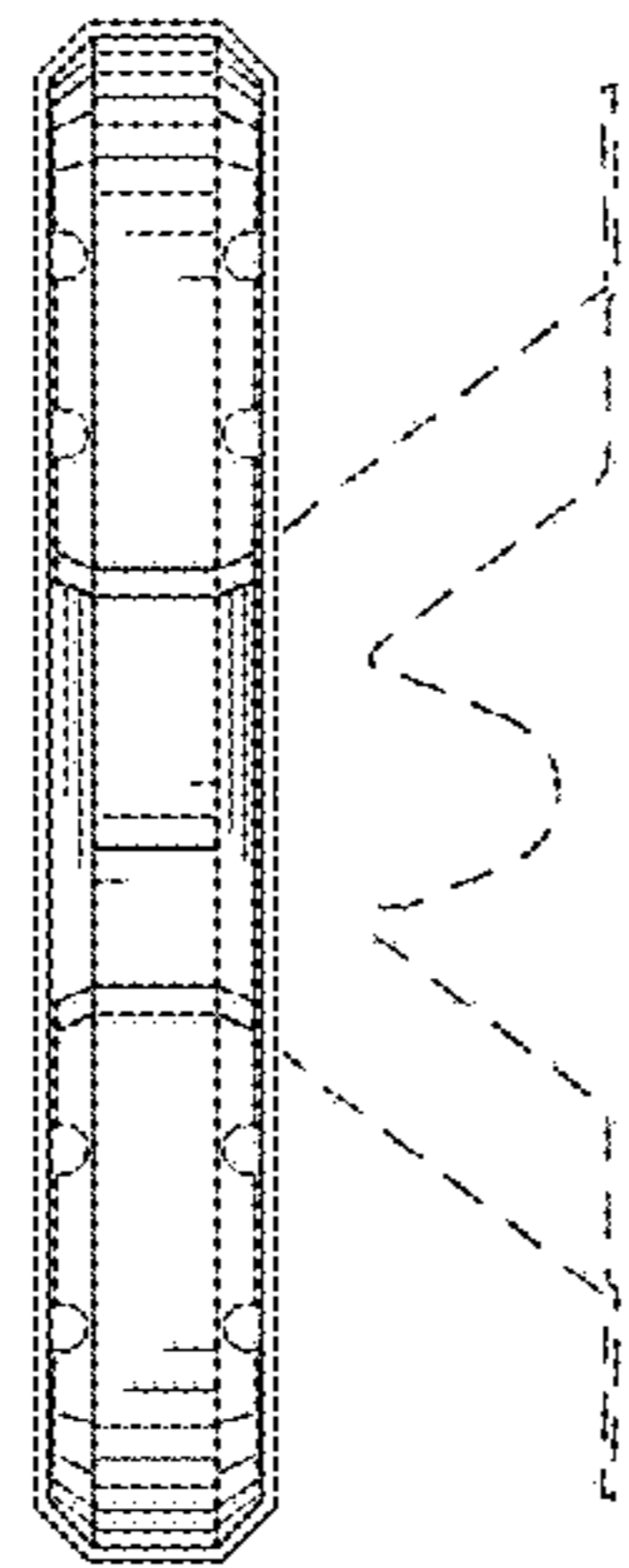


FIG. 5

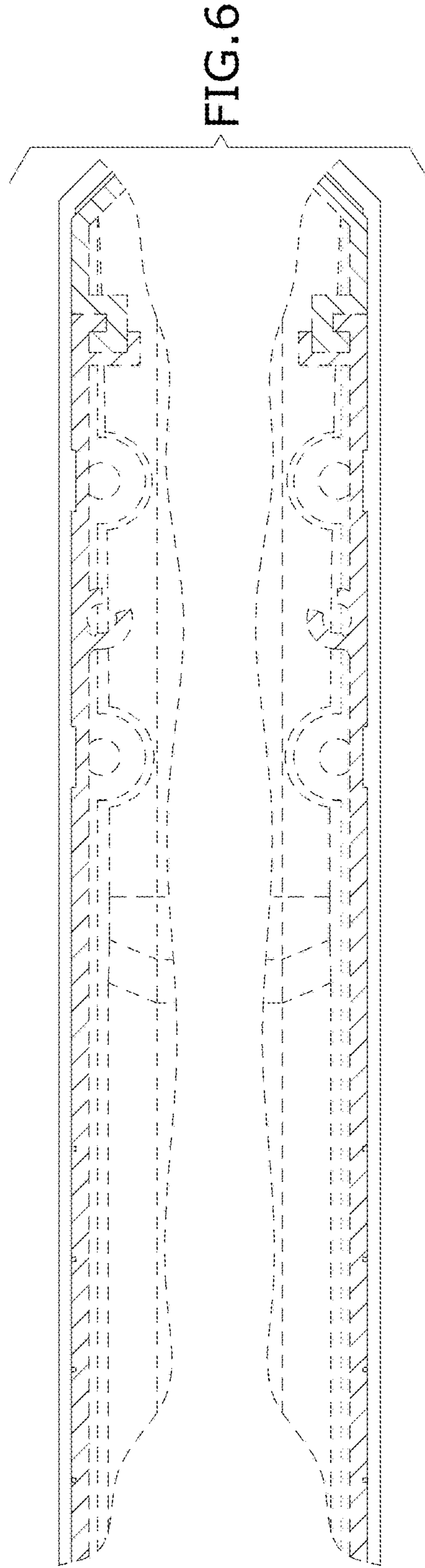


FIG. 6

UNITED STATES PATENT AND TRADEMARK OFFICE  
**CERTIFICATE OF CORRECTION**

PATENT NO. : D783,436 S  
APPLICATION NO. : 29/579125  
DATED : April 11, 2017  
INVENTOR(S) : Yehuda Goltche

Page 1 of 5

It is certified that error appears in the above-identified patent and that said Letters Patent is hereby corrected as shown below:

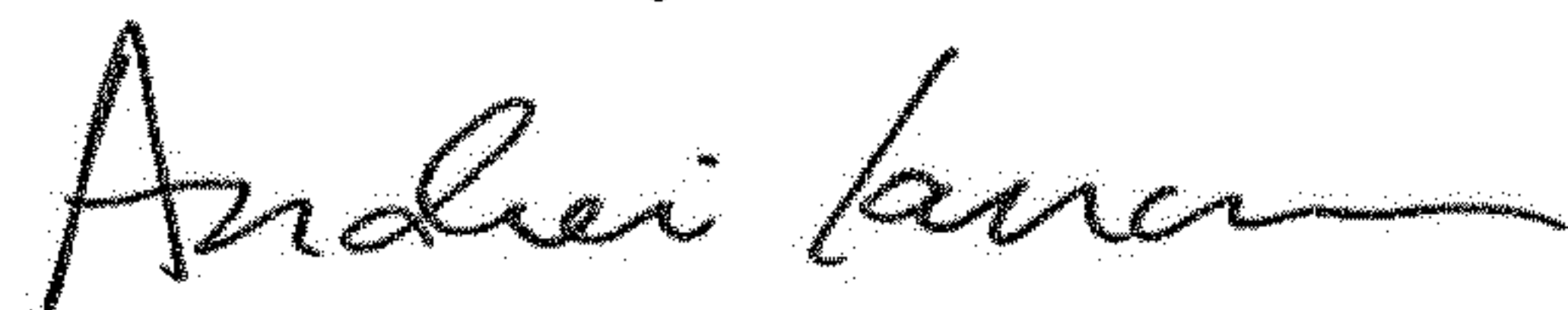
On the Title Page

Delete the title page and substitute therefore with the attached title page consisting of the corrected illustrative figure(s).

In the Drawings

Please replace FIGS. 1-6 with FIGS. 1-6 as shown on the attached pages.

Signed and Sealed this  
Thirtieth Day of October, 2018



Andrei Iancu  
*Director of the United States Patent and Trademark Office*

(12) **United States Design Patent** (10) **Patent No.:** **US D783,436 S**  
**Goltche** (45) **Date of Patent:** **\*\* Apr. 11, 2017**

(54) **LIGHT BAR**  
 (71) Applicant: **Yehuda Goltche**, Great Neck, NY (US)  
 (72) Inventor: **Yehuda Goltche**, Great Neck, NY (US)  
 (\*\*) Term: **15 Years**  
 (21) Appl. No.: **29/579,125**  
 (22) Filed: **Sep. 28, 2016**

D751,444 S \* 3/2016 Goltche ..... D10/114.4  
 D751,445 S \* 3/2016 Goltche ..... D10/114.4  
 2009/0116257 AI\* 5/2009 Rosemeyer ..... B60Q 1/2611  
 362/493  
 2010/0085181 AI\* 4/2010 Brooking ..... B60Q 1/2611  
 340/468  
 2011/0254424 AI\* 10/2011 Kuo ..... B60Q 1/2611  
 313/46  
 2012/0099338 AI\* 4/2012 Yu ..... B60Q 1/2611  
 362/543

\* cited by examiner

**Related U.S. Application Data**

(63) Continuation-in-part of application No. 29/559,208, filed on Mar. 25, 2016.

(51) **LOC (10) CL.** ..... **10-05**

(52) **U.S. CL.**  
 USPC ..... **D10/114.4**

(58) **Field of Classification Search**  
 USPC ..... D26/72, 76, 80, 90, 107, 118, 120;  
 D10/114.4

CPC ... F21S 2/005; F21S 4/28; F21S 10/06; F21V  
 21/0832; Y10S 362/806; B60Q 1/52;  
 B60Q 1/26; B60Q 1/2611

See application file for complete search history.

(56) **References Cited**

**U.S. PATENT DOCUMENTS**

D476,253 S \* 6/2003 Stein ..... D10/114.4  
 D602,391 S \* 10/2009 Stein ..... D10/114.4  
 7,854,531 B1\* 12/2010 Lyons ..... B60Q 1/2611  
 362/217.01  
 D632,199 S \* 2/2011 Jacobs ..... D10/114.4  
 D658,526 S \* 5/2012 Shin ..... D10/114.4  
 D682,135 S \* 5/2013 Grote, Jr ..... D10/114.4  
 D700,098 S \* 2/2014 Deyaf ..... D10/114.4  
 D722,718 S \* 2/2015 Chen ..... D26/72

*Primary Examiner* — Clare E Hefflin

(74) *Attorney, Agent, or Firm* — Dunlap Bennett & Ludwig PLLC

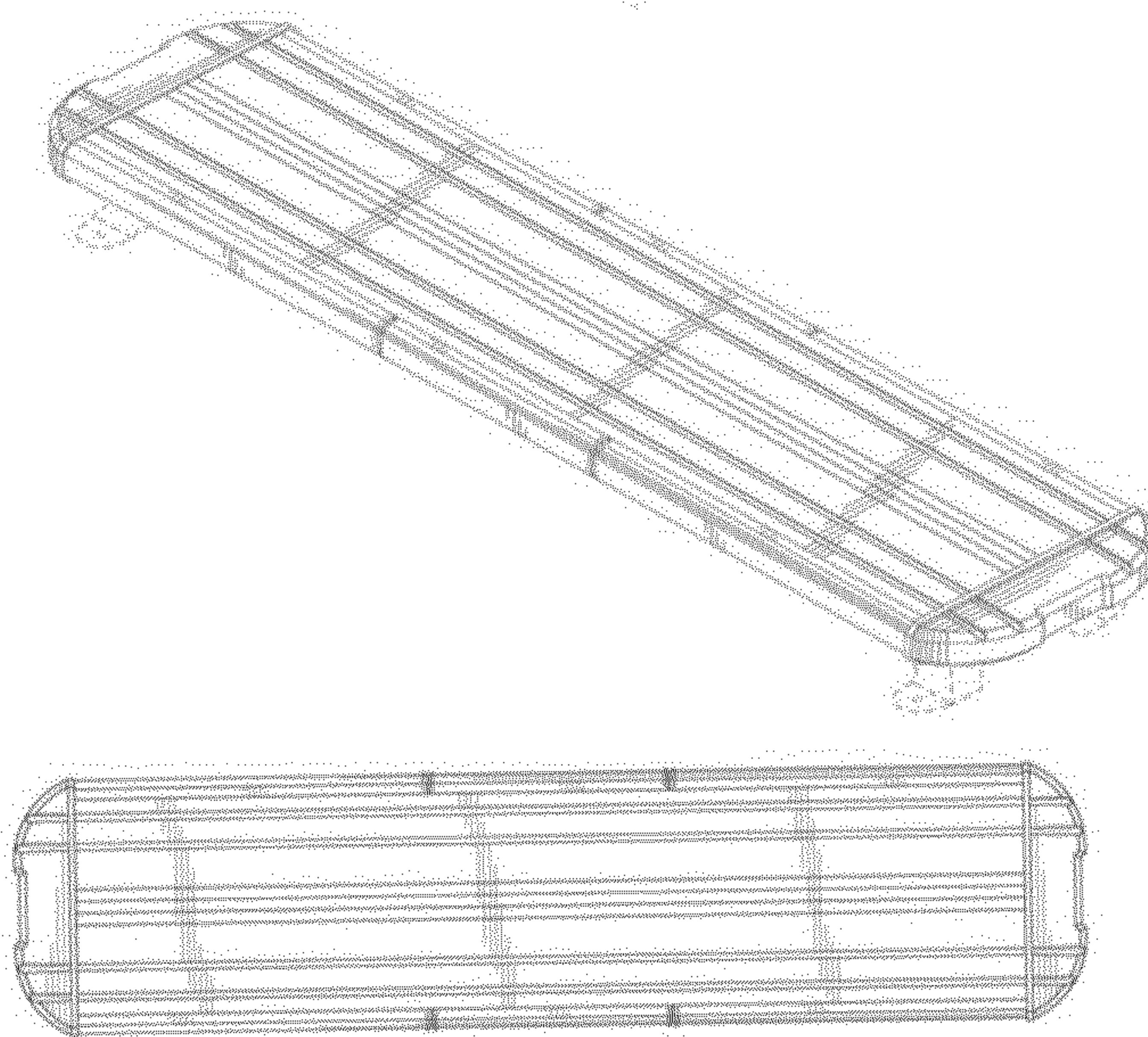
(57) **CLAIM**

The ornamental design for a light bar, as shown and described.

**DESCRIPTION**

FIG. 1 is a top front perspective view of a light bar;  
 FIG. 2 is a top plan view of FIG. 1;  
 FIG. 3 is a bottom plan view of FIG. 1;  
 FIG. 4 is a front elevation view of FIG. 1, the rear elevation being a mirror image thereof;  
 FIG. 5 is a right side elevation view of FIG. 1, the left side elevation being a mirror image thereof; and,  
 FIG. 6 is a partial section view of FIG. 4, taken along lines 6-6.  
 The broken lines shown in the drawings depict portions of the light bar that form no part of the claimed design.

**1 Claim, 3 Drawing Sheets**





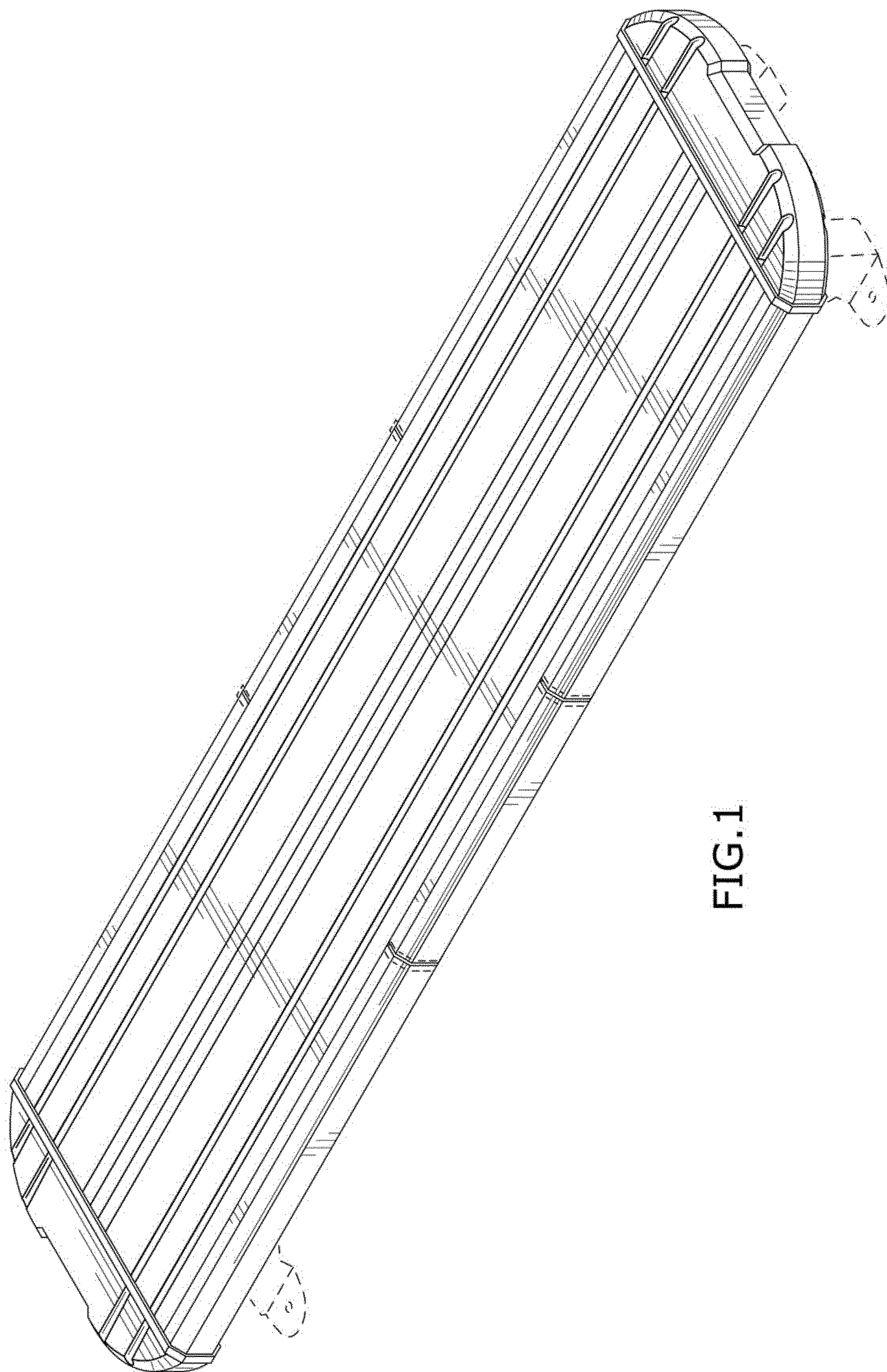


FIG. 1

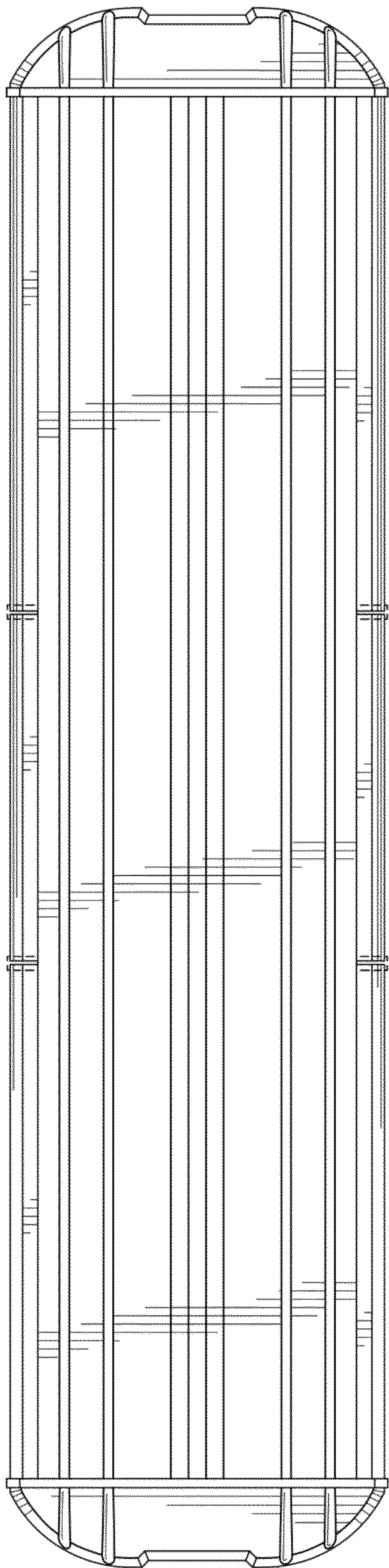


FIG. 2

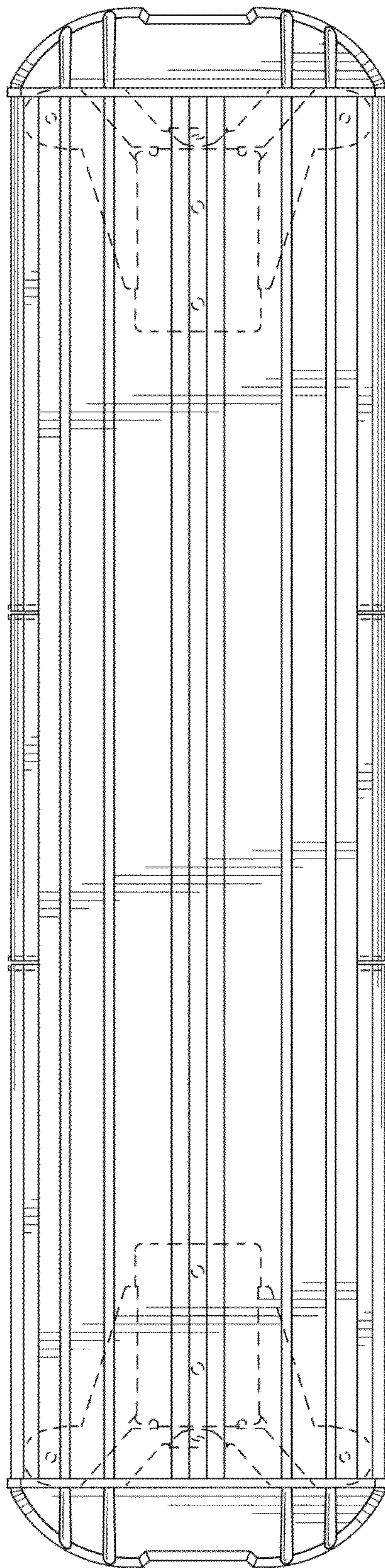


FIG. 3



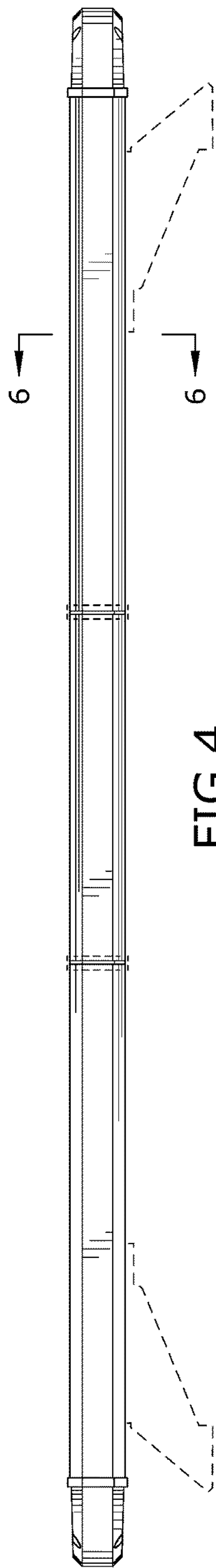


FIG. 4

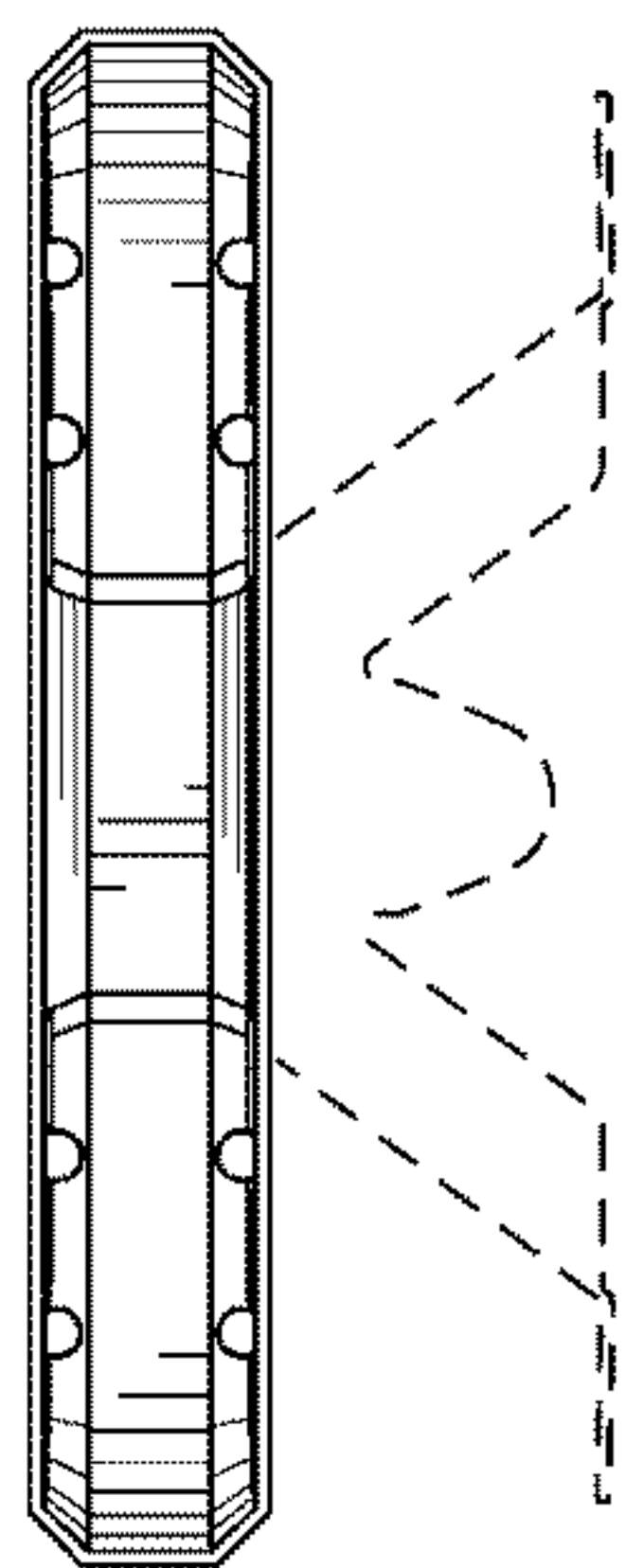


FIG. 5

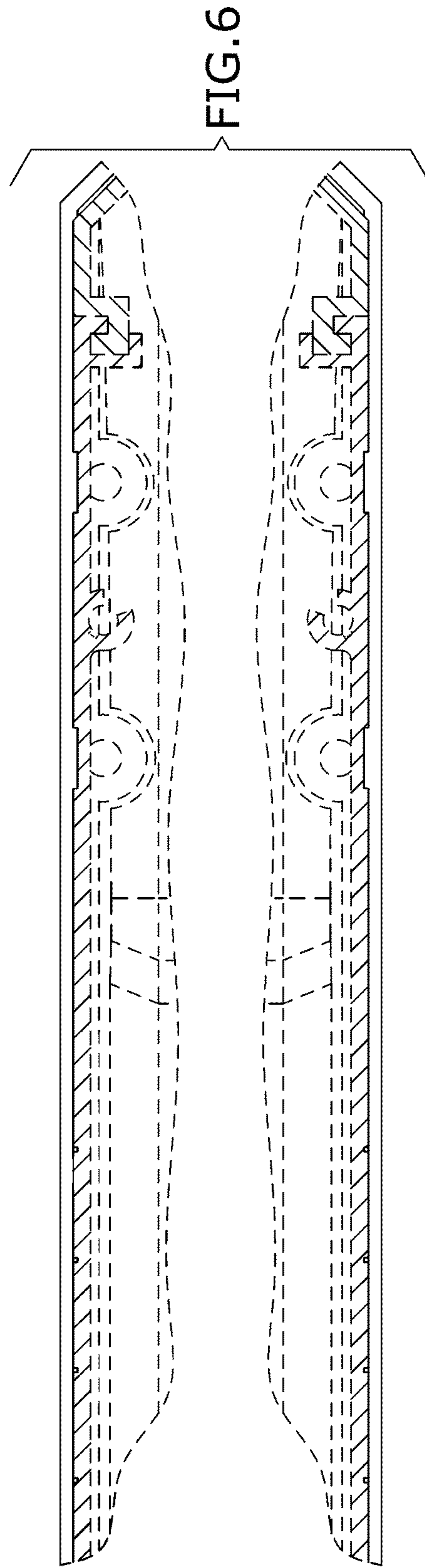


FIG. 6