



US00D783433S

(12) **United States Design Patent** (10) **Patent No.:** **US D783,433 S**  
**Kalyan et al.** (45) **Date of Patent:** **\*\* \*Apr. 11, 2017**

(54) **PLUGGABLE SMOKE AND HEAT DETECTOR**

(71) Applicant: **Honeywell International Inc.**,  
Morristown, NJ (US)

(72) Inventors: **Vivek Kalyan**, Bangalore (IN);  
**Aanandh Suttamalli**  
**Balasubramanian**, Bangalore (IN);  
**Antony Baskar Arul**, Chennai (IN);  
**Saikrishna Reddy**, Hyderabad (IN);  
**Arjun Viswanathan**, Tiruchirapalli (IN)

(73) Assignee: **HONEYWELL INTERNATIONAL INC.**,  
Morristown, NJ (US)

(\*) Notice: This patent is subject to a terminal disclaimer.

(\*\*) Term: **15 Years**

(21) Appl. No.: **29/543,115**

(22) Filed: **Oct. 21, 2015**

(51) **LOC (10) Cl.** ..... **10-05**

(52) **U.S. Cl.**  
USPC ..... **D10/106.2**

(58) **Field of Classification Search**  
USPC ..... D10/104.1, 106.1-106.9; D16/203;  
340/571, 588, 628-630; D14/214  
CPC ..... G08B 5/36; G08B 17/06; G08B 17/10;  
G08B 5/38  
See application file for complete search history.

(56) **References Cited**

**U.S. PATENT DOCUMENTS**

D253,092 S \* 10/1979 Conforti ..... D10/106.2  
4,525,703 A \* 6/1985 Bellino ..... G08B 17/10  
340/628

D383,690 S \* 9/1997 Issa ..... D10/120  
D410,586 S \* 6/1999 Olsen ..... D10/106.2  
D534,823 S \* 1/2007 Prater ..... D10/106.2  
D571,244 S \* 6/2008 Barrantes ..... D10/104.1  
D611,863 S \* 3/2010 Kato ..... D10/106.2  
D621,384 S \* 8/2010 Kao ..... D14/214  
D653,566 S \* 2/2012 Gonzales ..... D10/106.3  
D674,779 S \* 1/2013 Joseph ..... D14/214  
D693,710 S \* 11/2013 Bachel ..... D10/106.6  
D715,258 S \* 10/2014 Osborn ..... D14/214

\* cited by examiner

*Primary Examiner* — Sandra Morris

(74) *Attorney, Agent, or Firm* — Husch Blackwell LLP

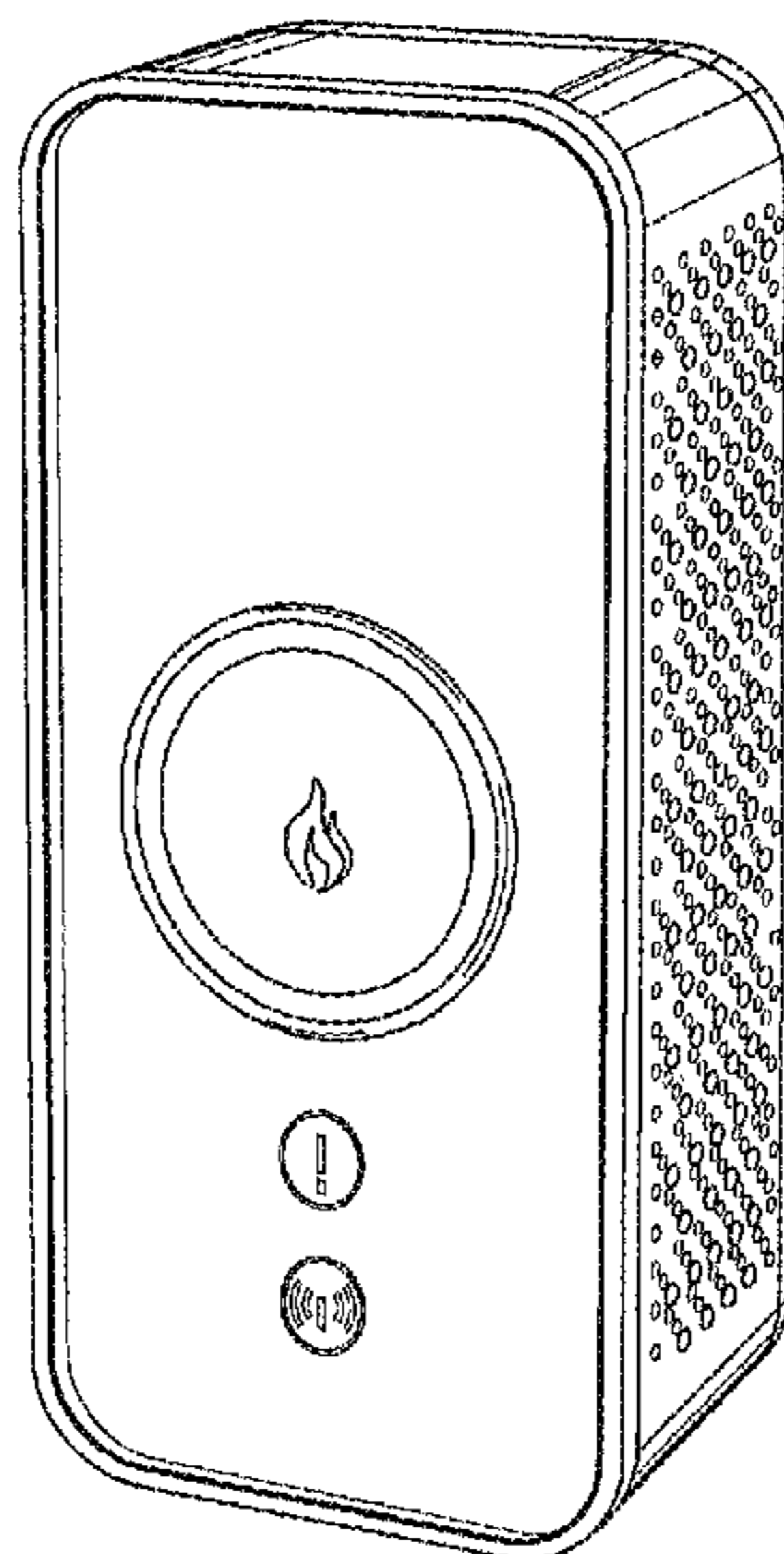
(57) **CLAIM**

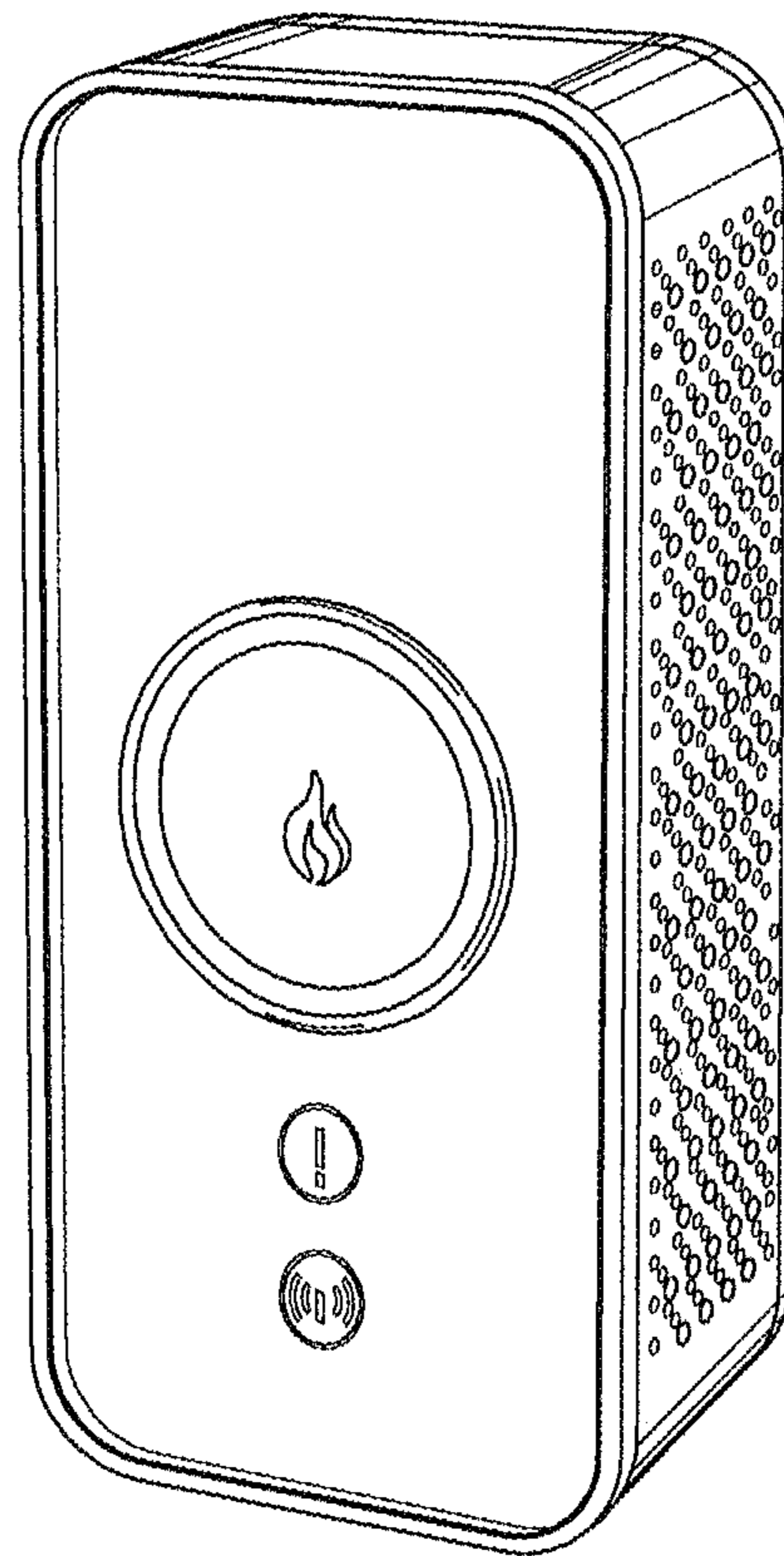
The ornamental design for a pluggable smoke and heat detector, as shown and described.

**DESCRIPTION**

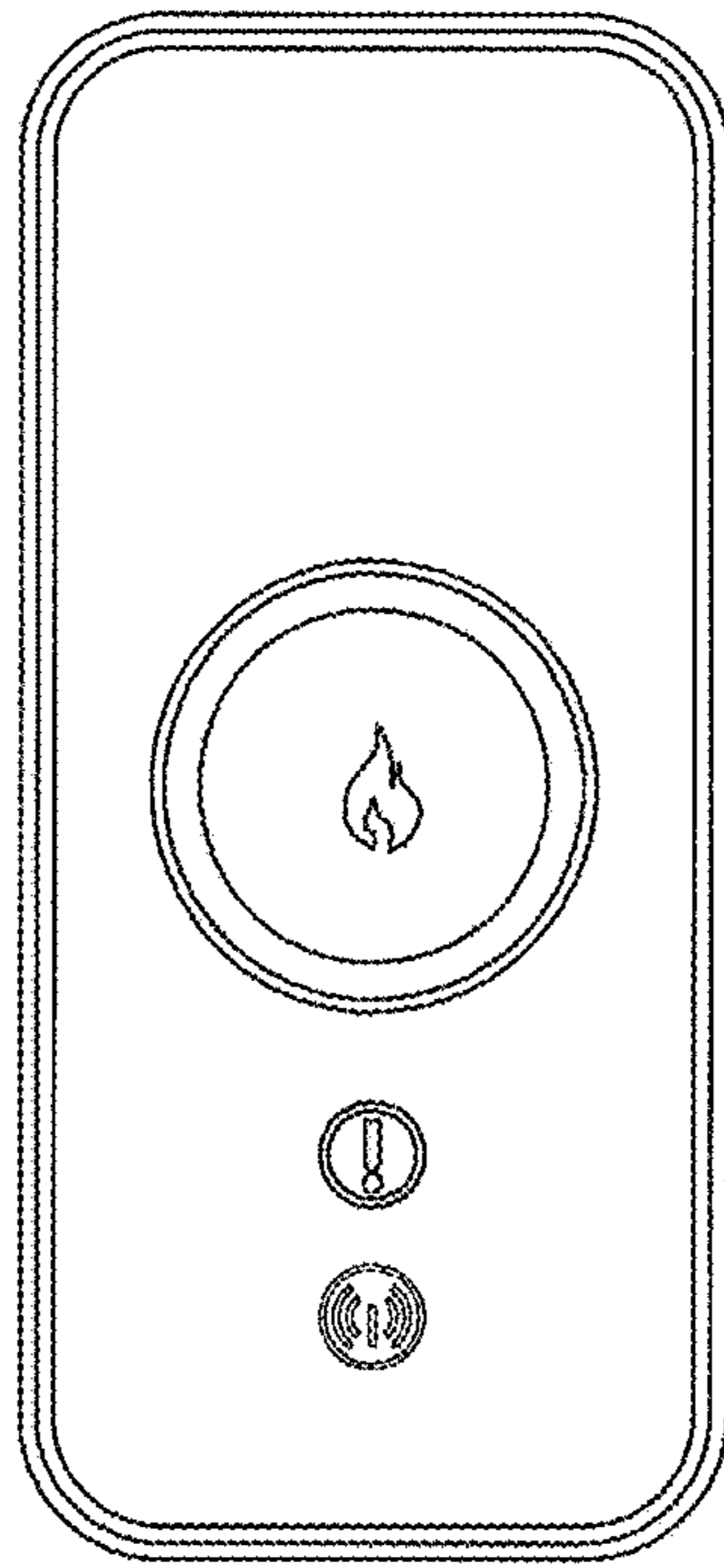
FIG. 1 is a perspective view of the pluggable smoke and heat detector.  
FIG. 2 is a front elevation view thereof.  
FIG. 3 is a first side elevation view thereof, the opposing side view being a mirror image thereof.  
FIG. 4 is a top plan view thereof; and,  
FIG. 5 is a bottom plan view thereof.  
The rear view of the pluggable smoke and heat detector illustrated in FIGS. 1-5 is hereby disclaimed and forms no part of the claimed design.

**1 Claim, 3 Drawing Sheets**

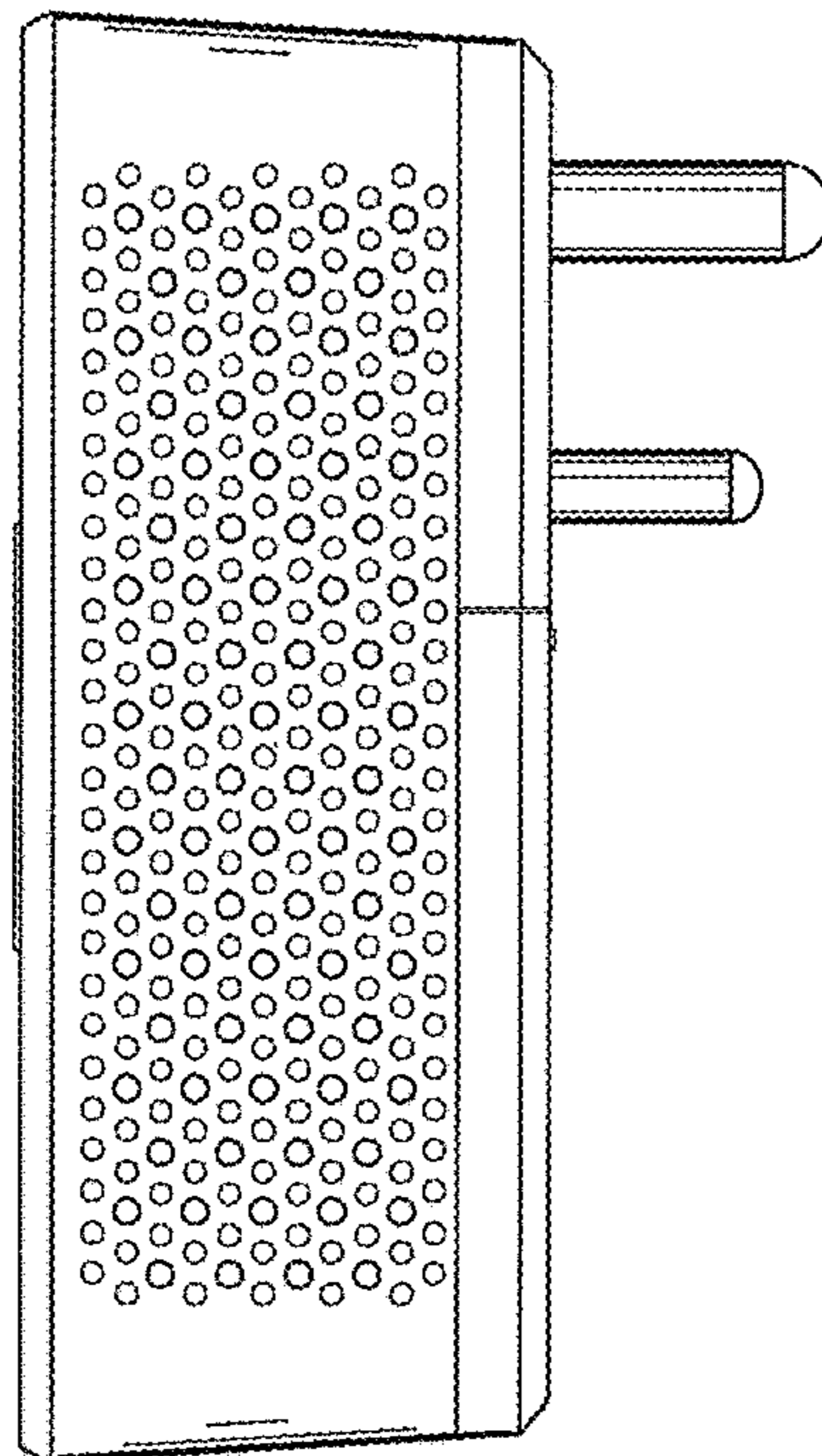




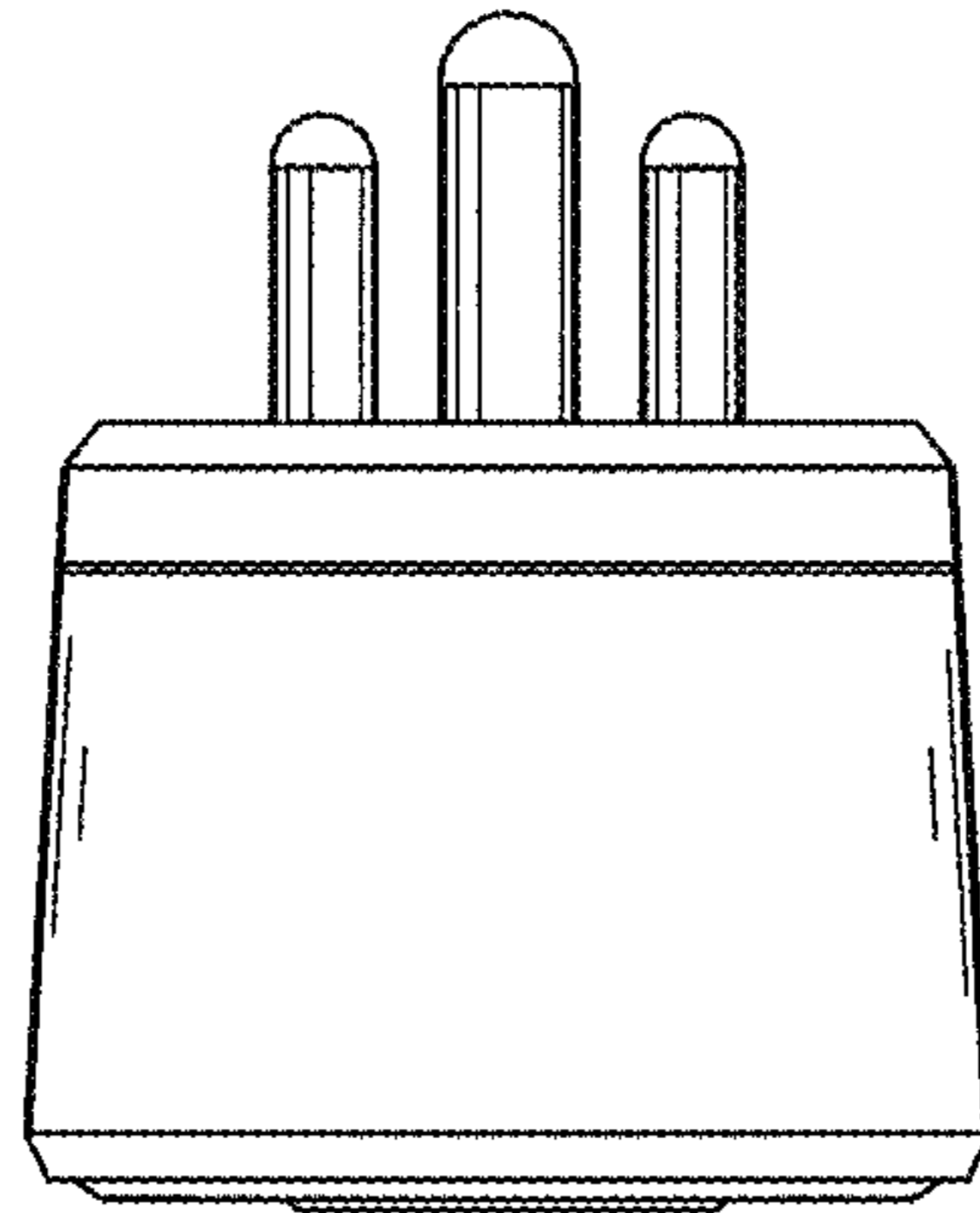
*FIG. 1*



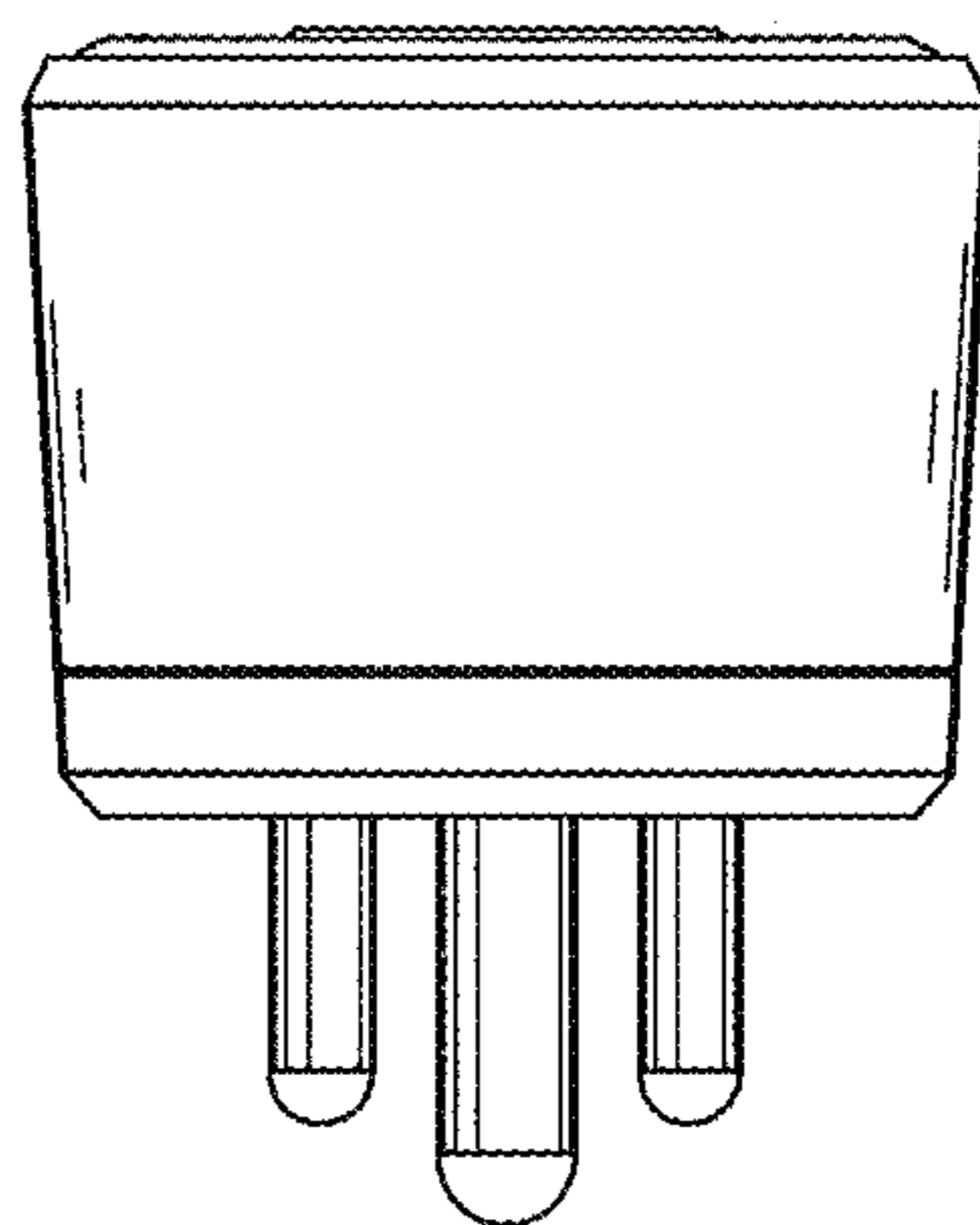
*FIG. 2*



*FIG. 3*



*FIG. 4*



*FIG. 5*