



US00D783432S

(12) **United States Design Patent**
Lei

(10) **Patent No.:** **US D783,432 S**

(45) **Date of Patent:** **** Apr. 11, 2017**

(54) **ENGINE MONITORING UNIT**
(71) Applicant: **NINGBO JIANGBEI RUN LEADER ELECTRONICS CO., LTD**, Ningbo (CN)
(72) Inventor: **Liu Lei**, Ningbo (CN)
(**) Term: **15 Years**

8,571,750 B2 * 10/2013 Bertosa G07C 5/008
701/31.2
D698,674 S * 2/2014 Mattsson D10/78
D698,675 S * 2/2014 Sallander D10/78
8,829,910 B2 * 9/2014 Nishidai H02J 7/0047
324/427
D719,471 S * 12/2014 Gnauck D10/78
D725,520 S * 3/2015 Varacca D10/78
9,030,312 B2 * 5/2015 Wittliff, III G07C 5/0808
340/438

(21) Appl. No.: **29/548,175**
(22) Filed: **Dec. 10, 2015**
(51) **LOC (10) Cl.** **10-04**
(52) **U.S. Cl.**
USPC **D10/78**
(58) **Field of Classification Search**
USPC D10/78
CPC G01D 5/00; G06F 1/166; G06F 1/1656;
G06F 1/1626; G06F 1/1609; G06F 1/637;
G06F 3/03547; G06F 3/04842; G06F
3/04817; G01M 17/00; G01R 31/007;
G01R 31/3648; G01R 31/3693; G01R
31/3627; F17D 1/08; F02P 17/08
See application file for complete search history.

* cited by examiner

Primary Examiner — Antoine D Davis

(74) *Attorney, Agent, or Firm* — Garrett James O’Sullivan

(57) **CLAIM**

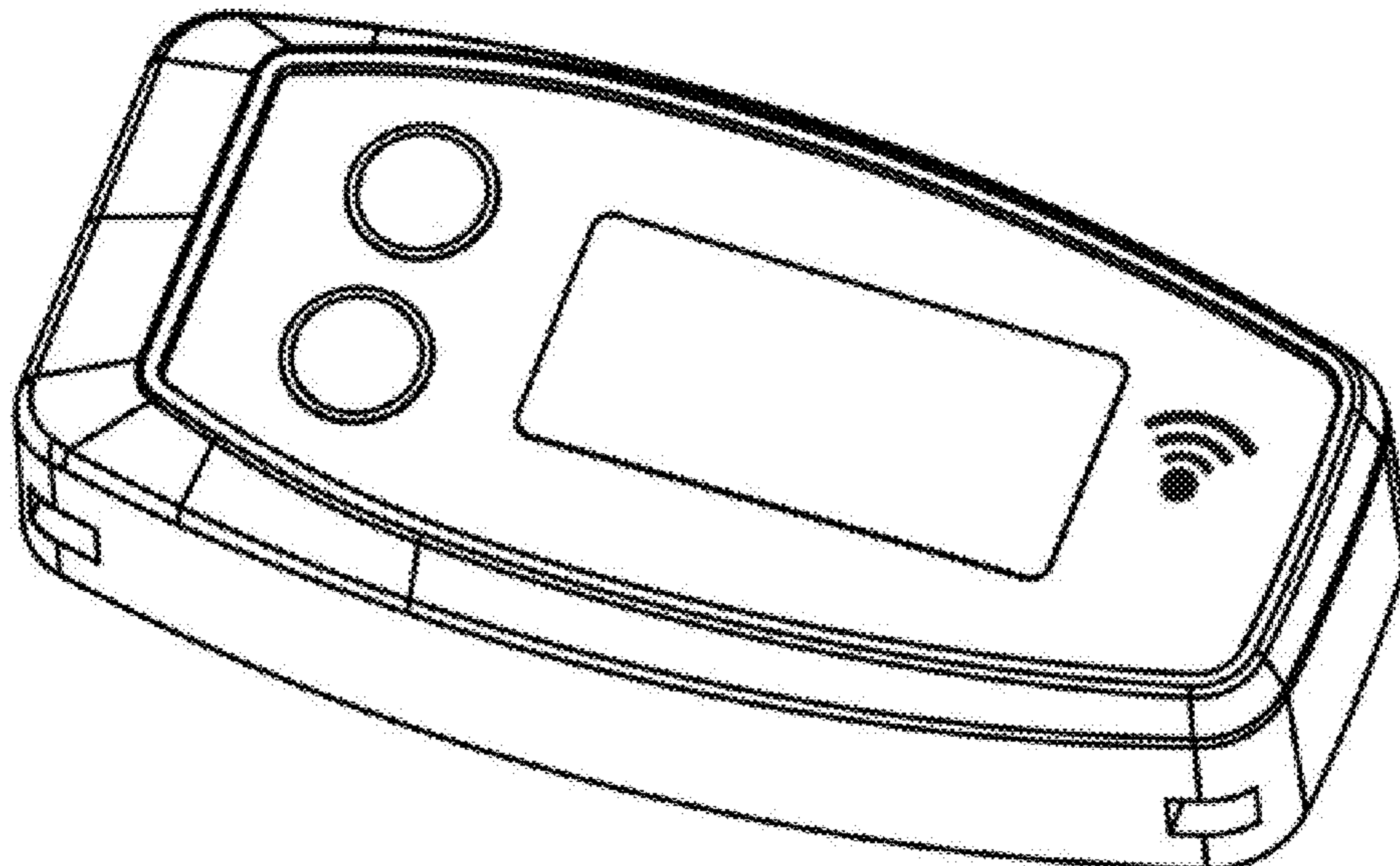
The ornamental design for an engine monitoring unit, as shown and described.

DESCRIPTION

FIG. 1 is a front elevation view of an engine monitoring unit; FIG. 2 is a rear elevation view of the engine monitoring unit of FIG. 1; FIG. 3 is a bottom plan view of the engine monitoring unit of FIG. 1; FIG. 4 is a top plan view of the engine monitoring unit of FIG. 1; FIG. 5 is a left side elevation view of the engine monitoring unit of FIG. 1; FIG. 6 is a right side elevation view of the engine monitoring unit of FIG. 1; and, FIG. 7 is a perspective view of the engine monitoring unit of FIG. 1.

(56) **References Cited**
U.S. PATENT DOCUMENTS
D490,731 S * 6/2004 Bradford D10/78
D497,817 S * 11/2004 Lord D10/78
D510,044 S * 9/2005 Ribeiro D10/78
D519,046 S * 4/2006 Lipscomb D10/78
D547,216 S * 7/2007 Rounds D10/78
D555,021 S * 11/2007 Rounds D10/78

1 Claim, 1 Drawing Sheet



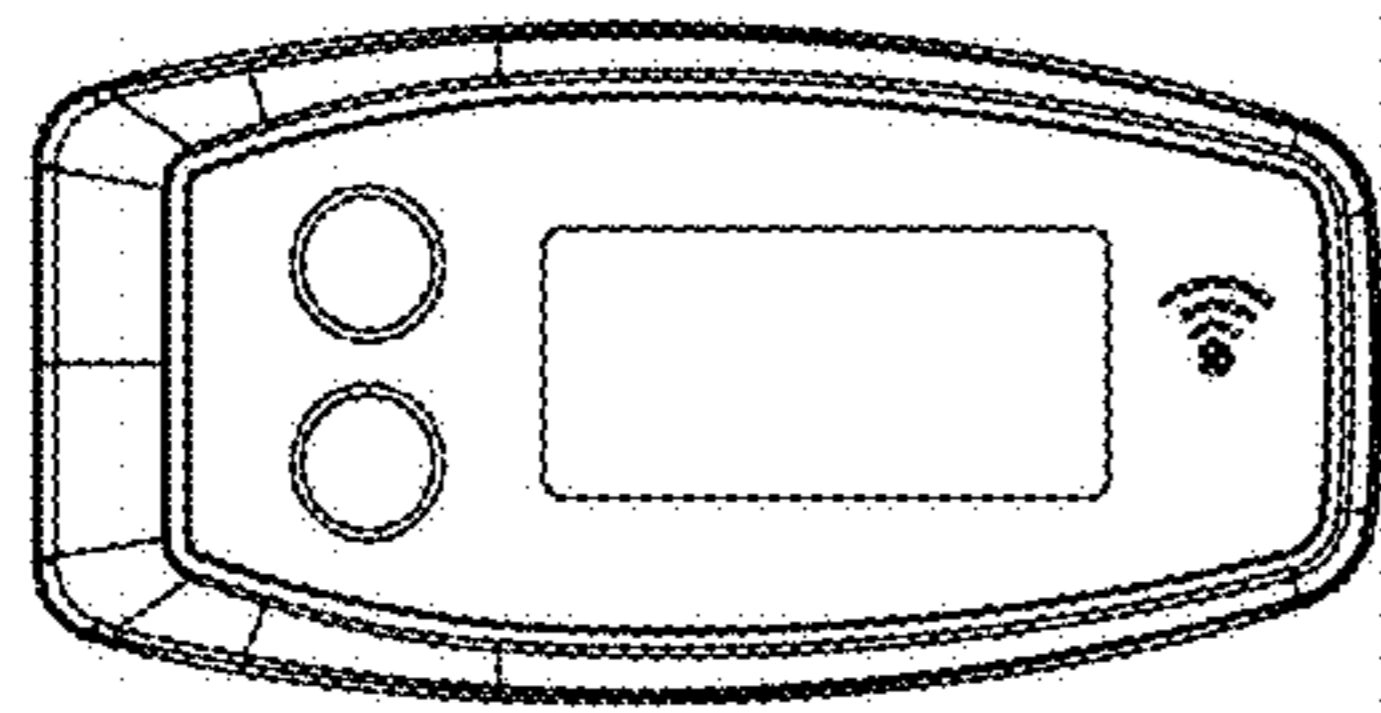


FIG. 1

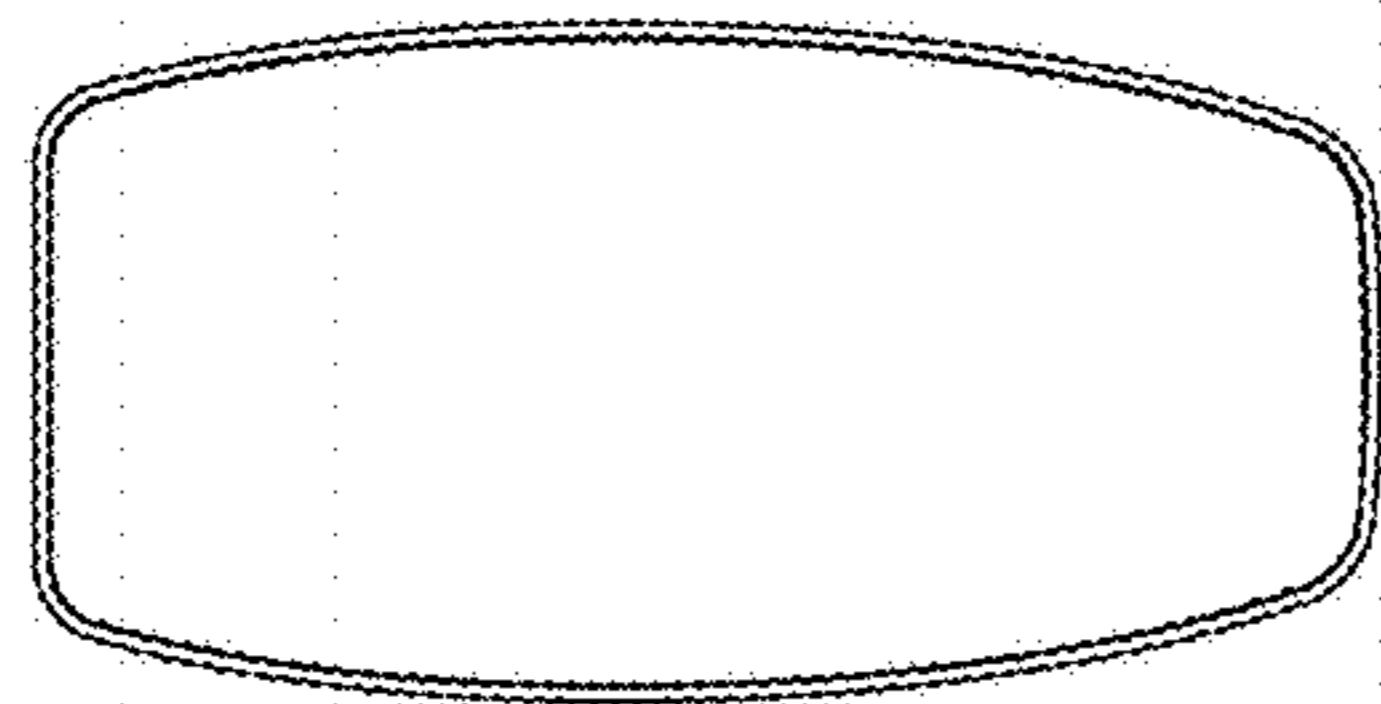


FIG. 2

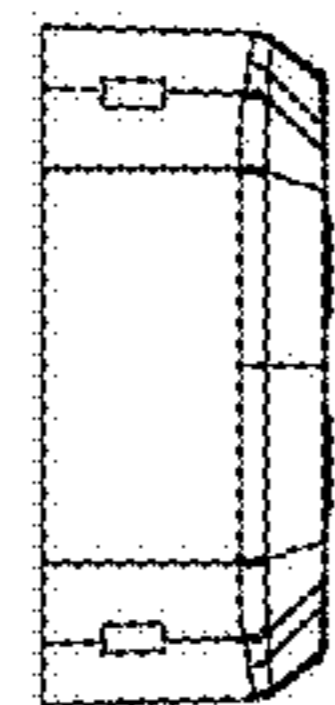


FIG. 5

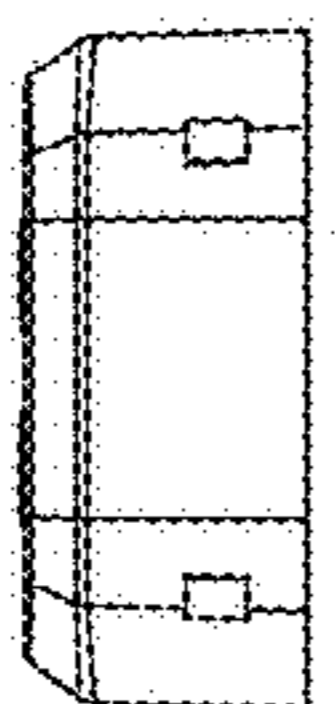


FIG. 6

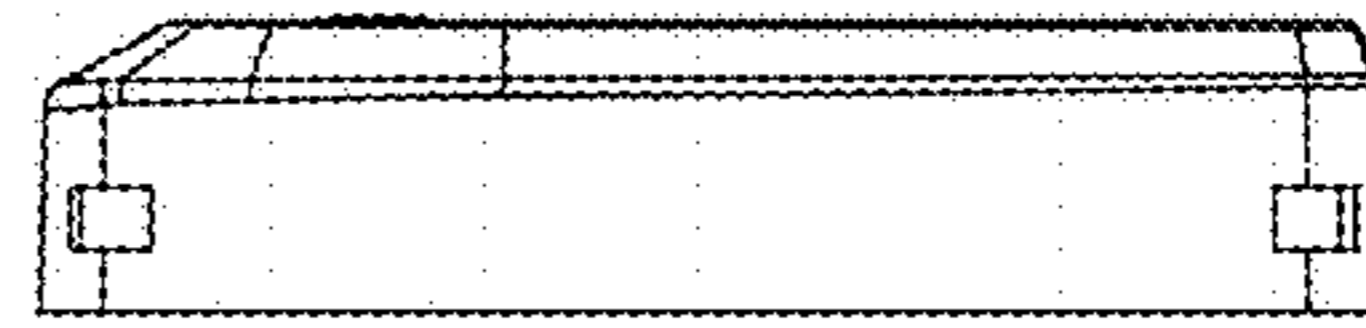


FIG. 3

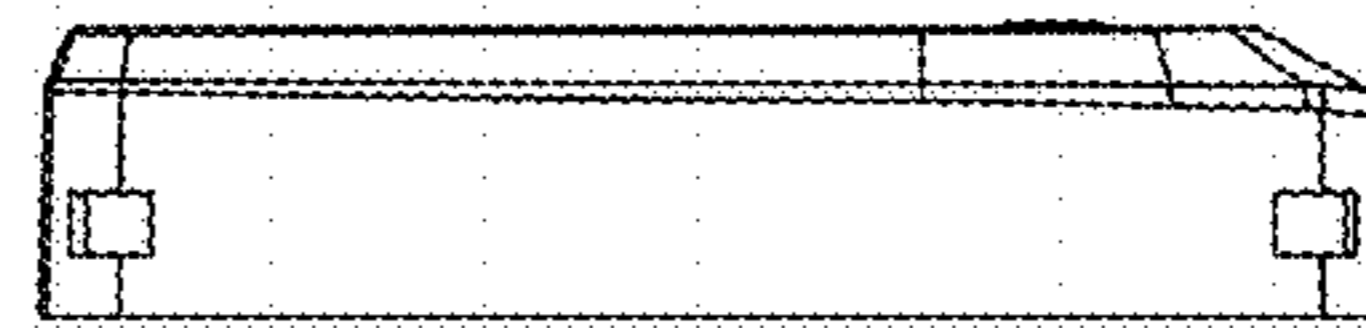


FIG. 4

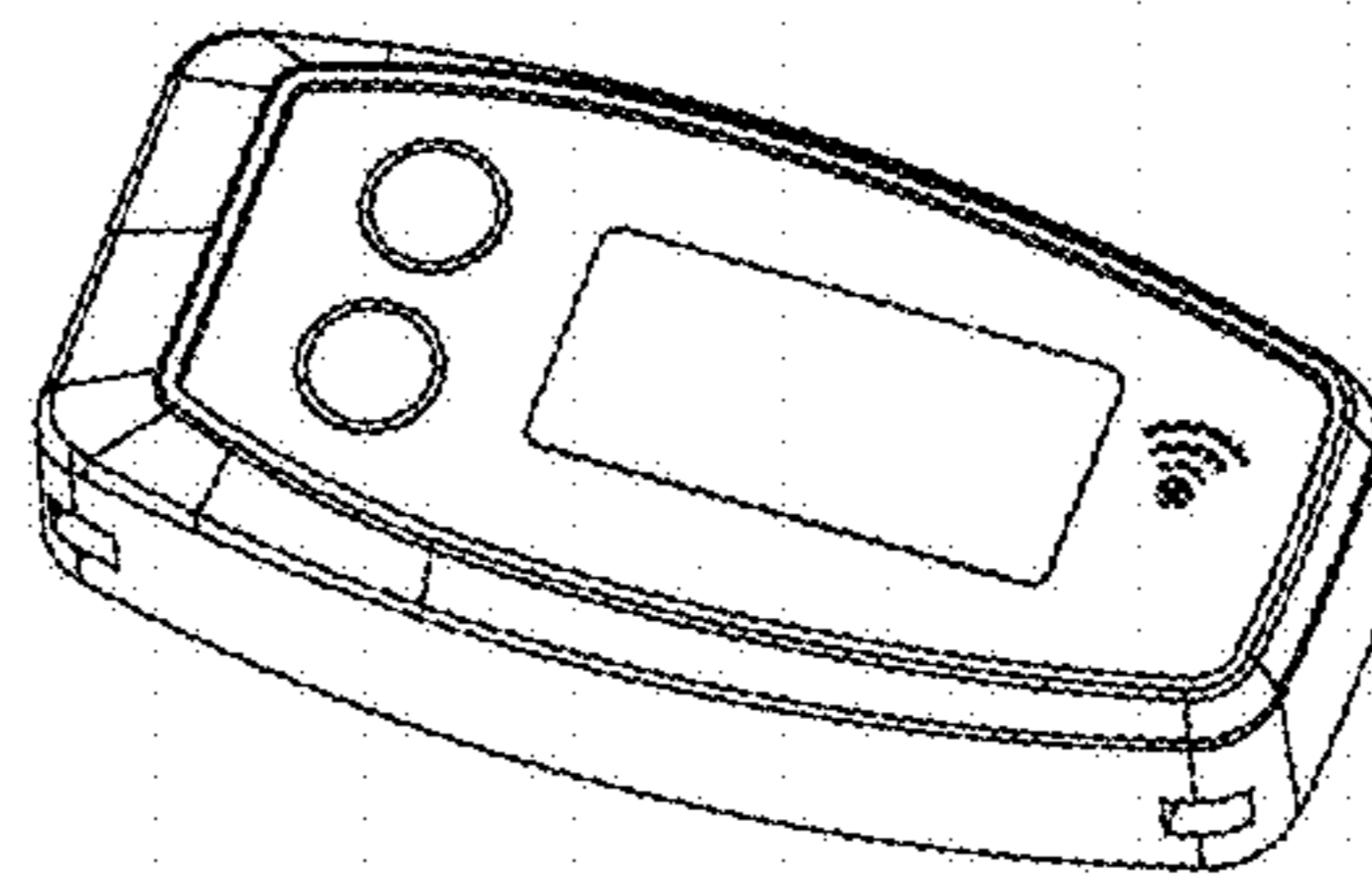


FIG. 7