



US00D783431S

(12) **United States Design Patent**
Kowalski

(10) **Patent No.:** **US D783,431 S**
(45) **Date of Patent:** **** Apr. 11, 2017**

- (54) **TWO WAY MEASURING TAPE**
- (71) Applicant: **George Mathew Kowalski**, Crystal Lake, IL (US)
- (72) Inventor: **George Mathew Kowalski**, Crystal Lake, IL (US)
- (**) Term: **15 Years**
- (21) Appl. No.: **29/558,259**
- (22) Filed: **Mar. 16, 2016**
- (51) **LOC (10) Cl.** **10-04**
- (52) **U.S. Cl.**
USPC **D10/72**
- (58) **Field of Classification Search**
USPC D10/72
CPC G01B 3/10; G01B 3/1002; G01B 3/1041; G01B 2003/1043; G01B 2003/1046; G01B 2003/1048; G01B 2003/1051; G01B 2003/1053–2003/1097; G01B 3/1082; G01B 3/1056; G01B 3/563; G01B 3/566; G01B 3/1071; G07B 3/10
See application file for complete search history.

(56) **References Cited**

U.S. PATENT DOCUMENTS

- D225,173 S * 11/1972 Quenot D10/72
- 4,642,898 A 2/1987 Miller
- 4,729,171 A * 3/1988 Samson G01B 3/1084
33/668
- 5,033,202 A * 7/1991 Chen G01B 3/1084
33/759
- 5,040,256 A * 8/1991 Mills B43L 23/08
30/138

- 5,832,622 A * 11/1998 Mann G01B 3/1005
33/765
- 6,212,787 B1 * 4/2001 Dixon B25H 7/04
33/668
- D462,911 S * 9/2002 Odachowski D10/72
- D607,354 S * 1/2010 Noguchi D10/72
- 8,402,671 B1 3/2013 Marhold
- 8,739,426 B1 * 6/2014 Freed G01B 3/10
33/413
- 9,199,371 B2 * 12/2015 Kim B43L 7/10
- 9,335,142 B2 * 5/2016 DeMartinis G01B 3/1084
- D764,325 S * 8/2016 Mathews, Jr. D10/72
- 2014/0090264 A1 4/2014 Li

* cited by examiner

Primary Examiner — Antoine D Davis

(74) *Attorney, Agent, or Firm* — RG Patent Consulting, LLP; Rachel Gilboy

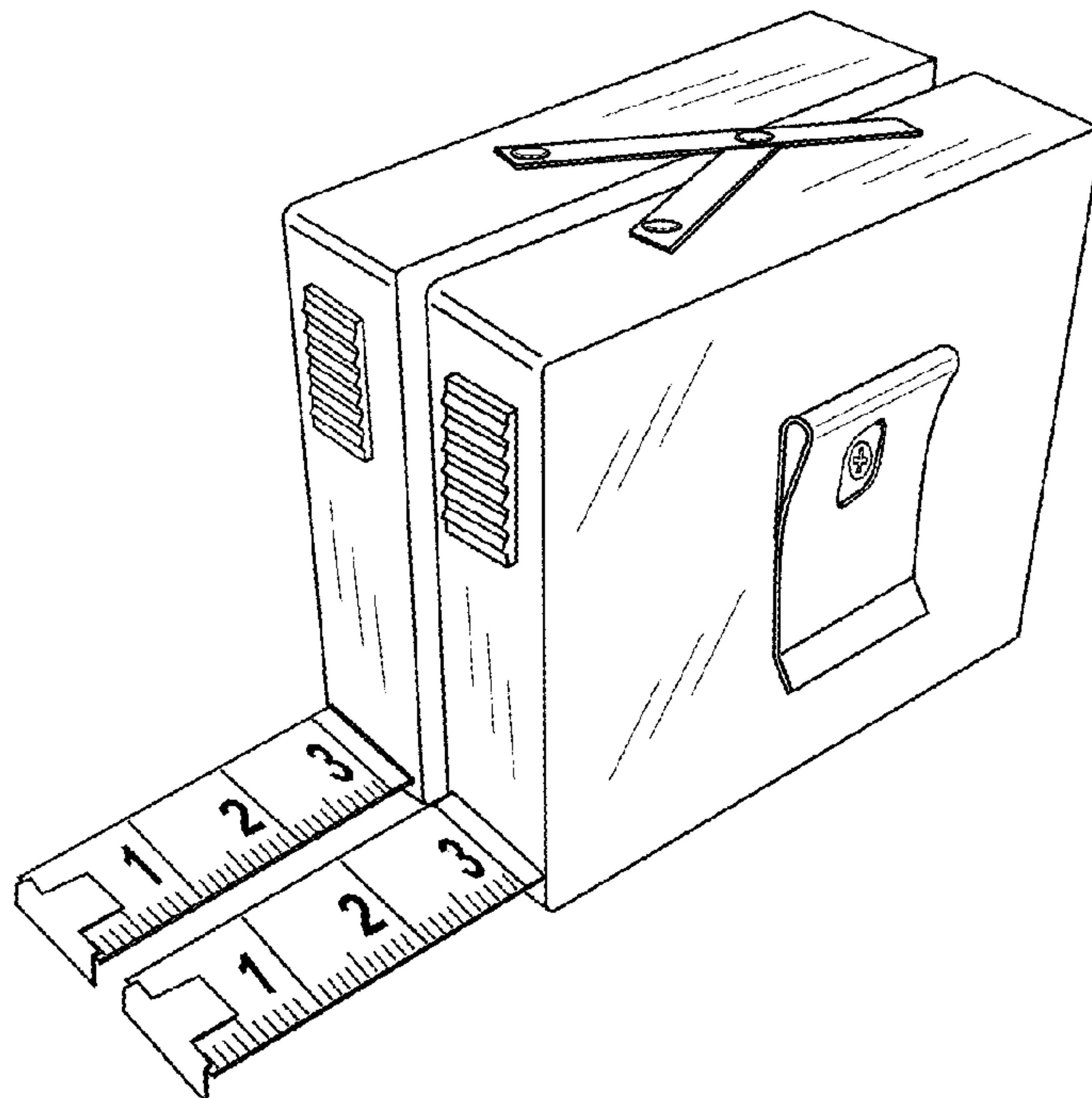
(57) **CLAIM**

The ornamental design for the two way measuring tape, as shown and described.

DESCRIPTION

FIG. 1 is a perspective view of the two way measuring tape with the housings in a parallel position and with the tapes in a slightly extended position, showing my new design; FIG. 2 is a perspective view of the two way measuring tape showing the housings positioned at 90 degrees in relation to each other and with the tapes in a slightly extended position; FIG. 3 is a front elevation view thereof; FIG. 4 is a rear elevation view thereof; FIG. 5 is a left elevation view thereof; FIG. 6 is a right elevation view thereof; FIG. 7 is a top plan view thereof; and, FIG. 8 is a bottom plan view thereof.

1 Claim, 8 Drawing Sheets



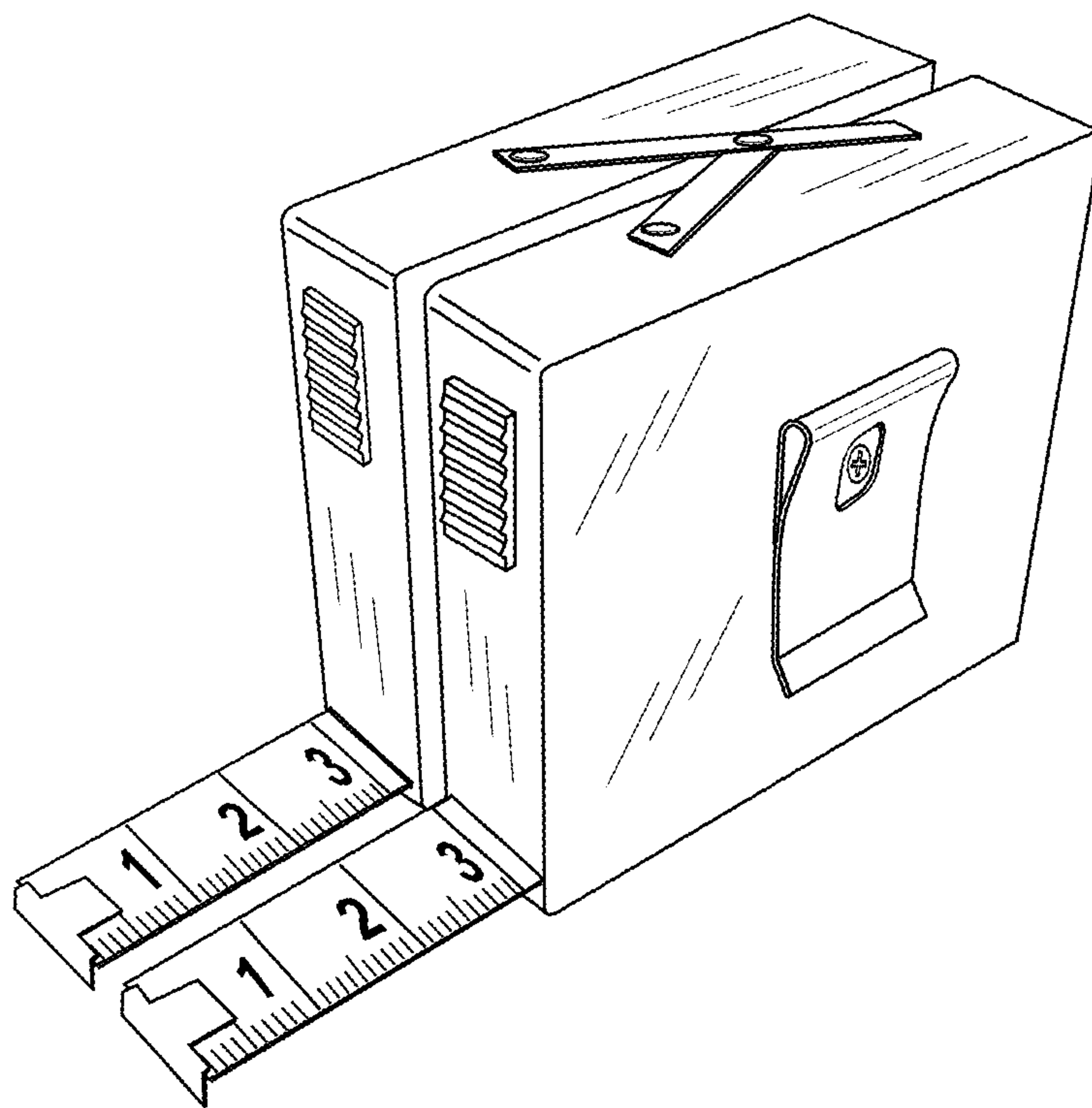


FIG. 1

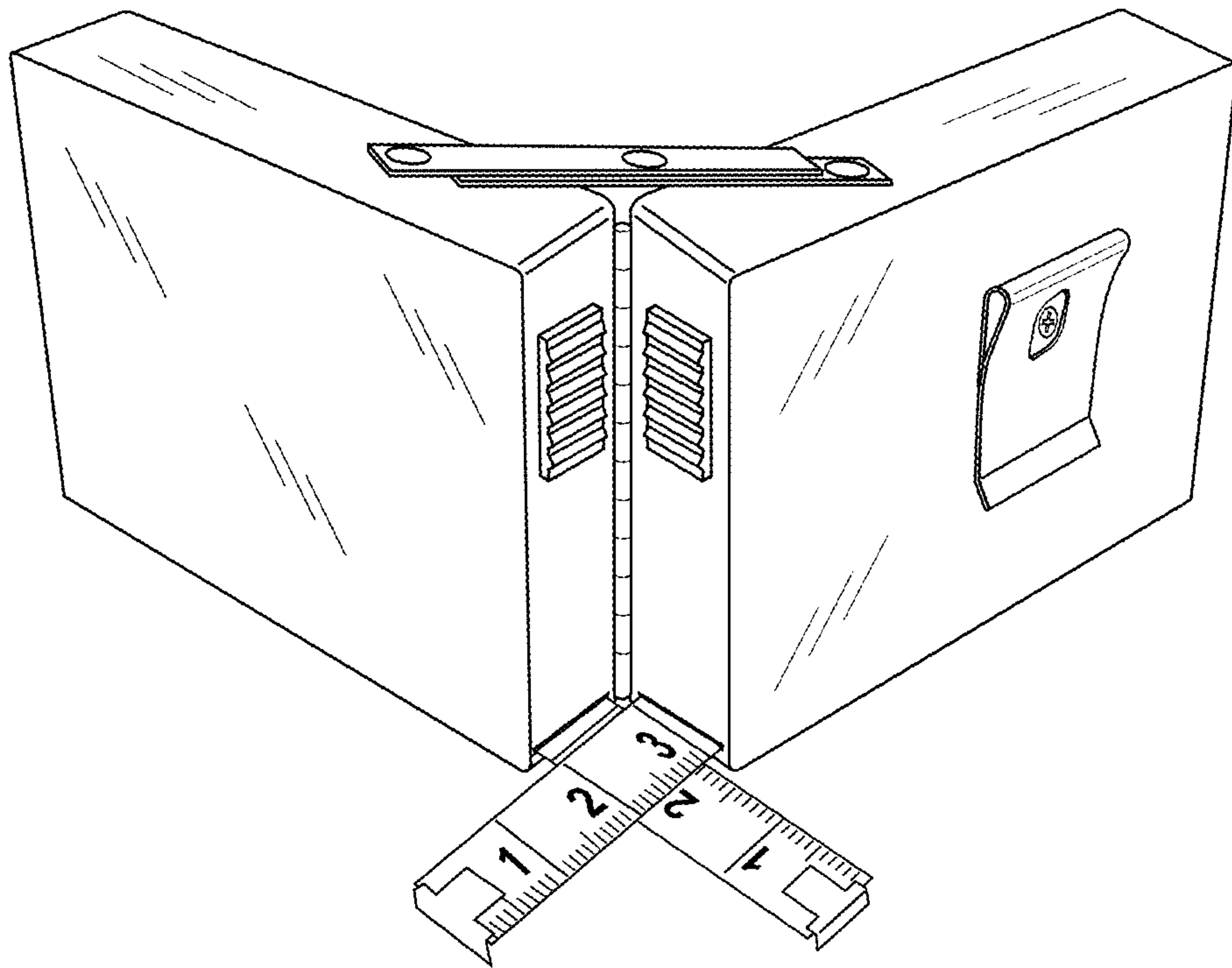


FIG. 2

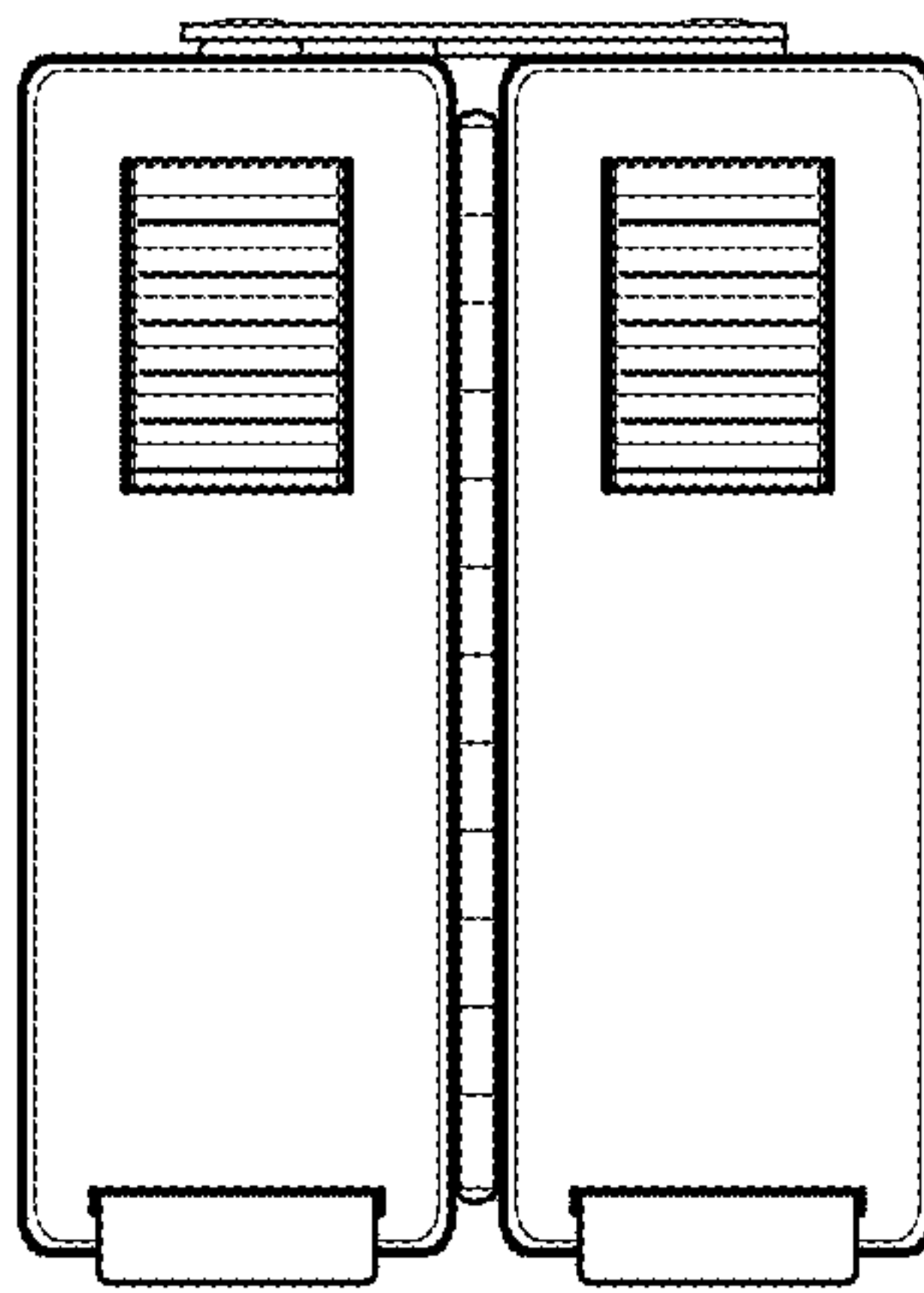


FIG. 3

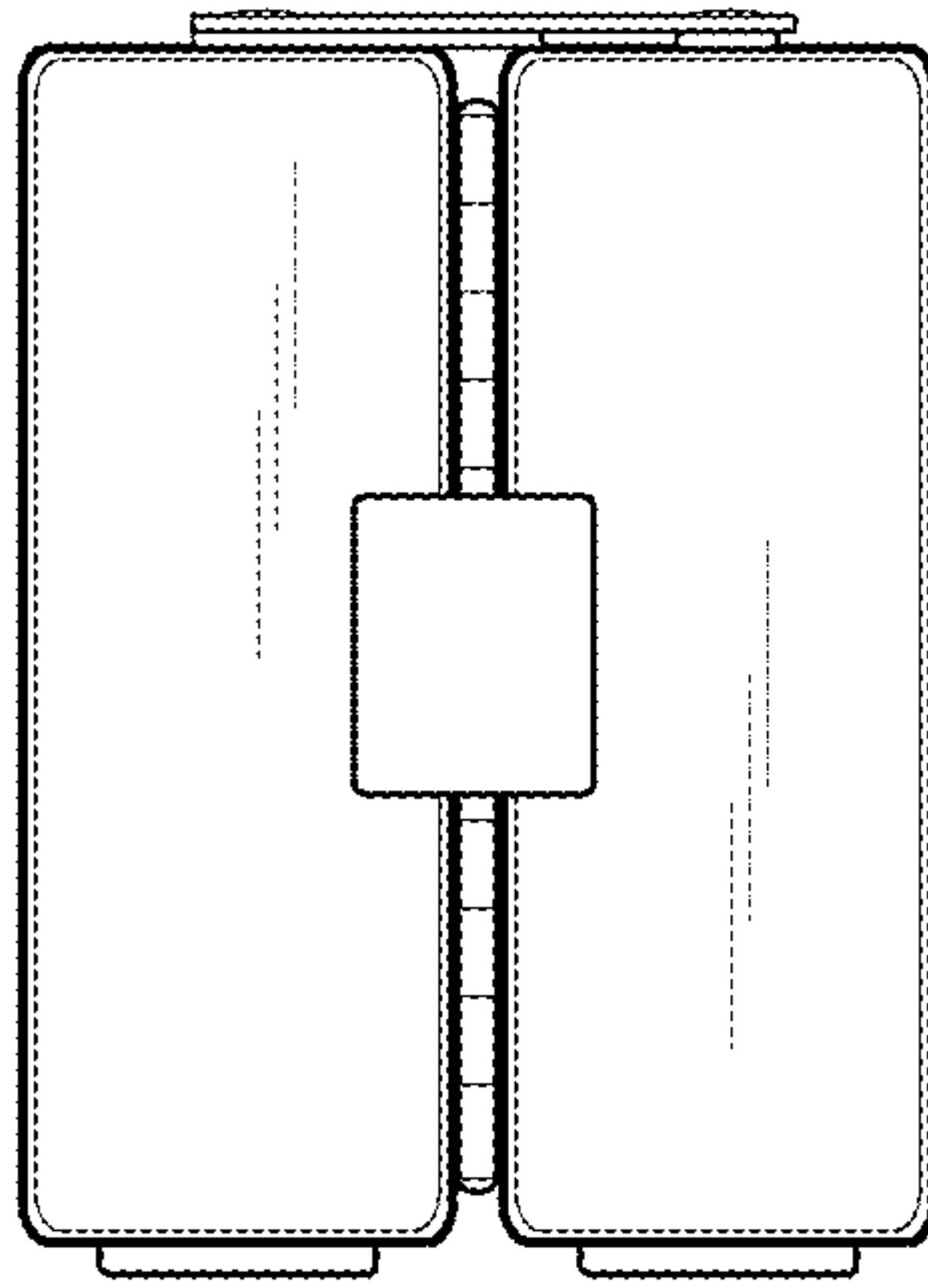


FIG. 4

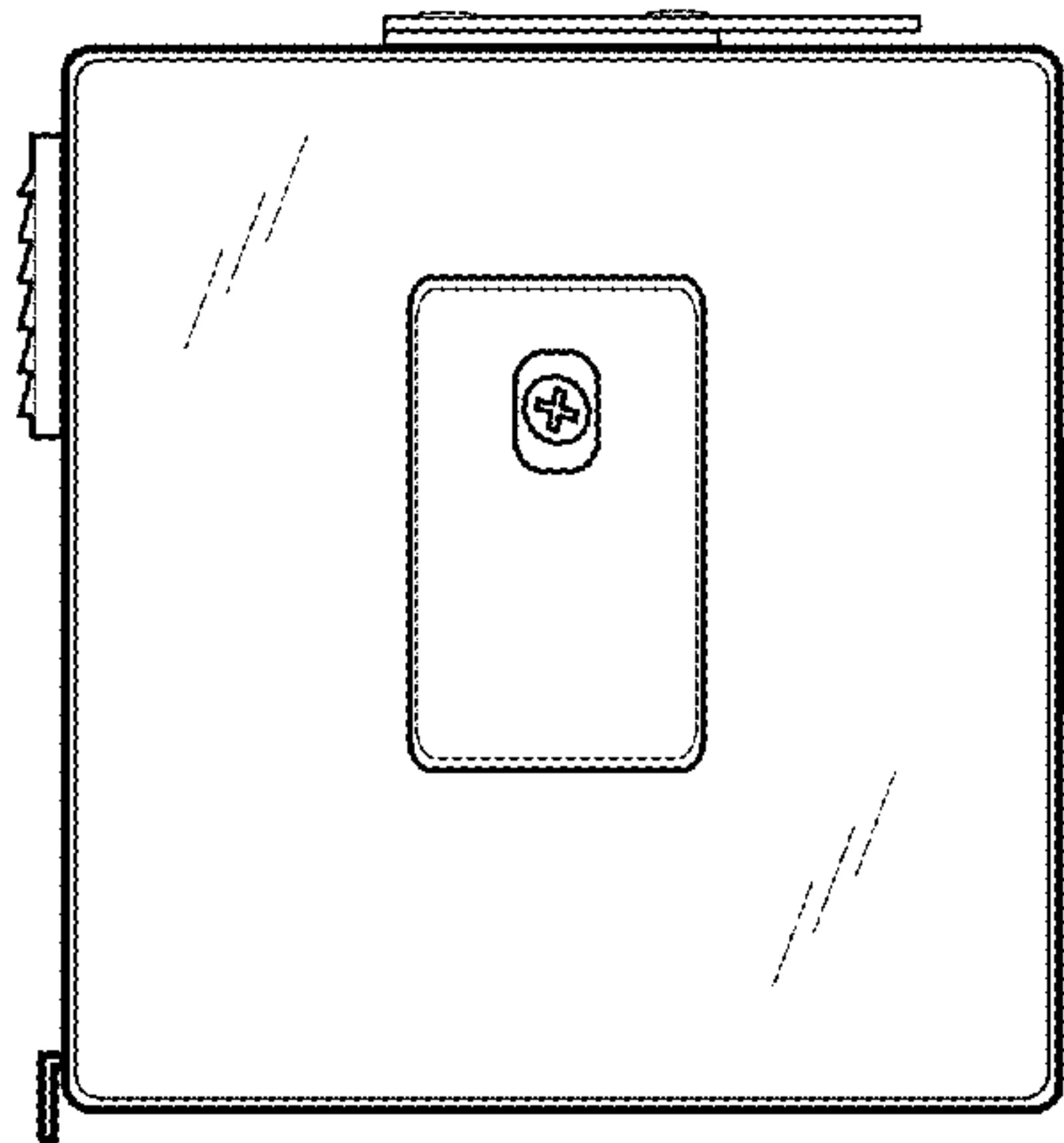


FIG. 5

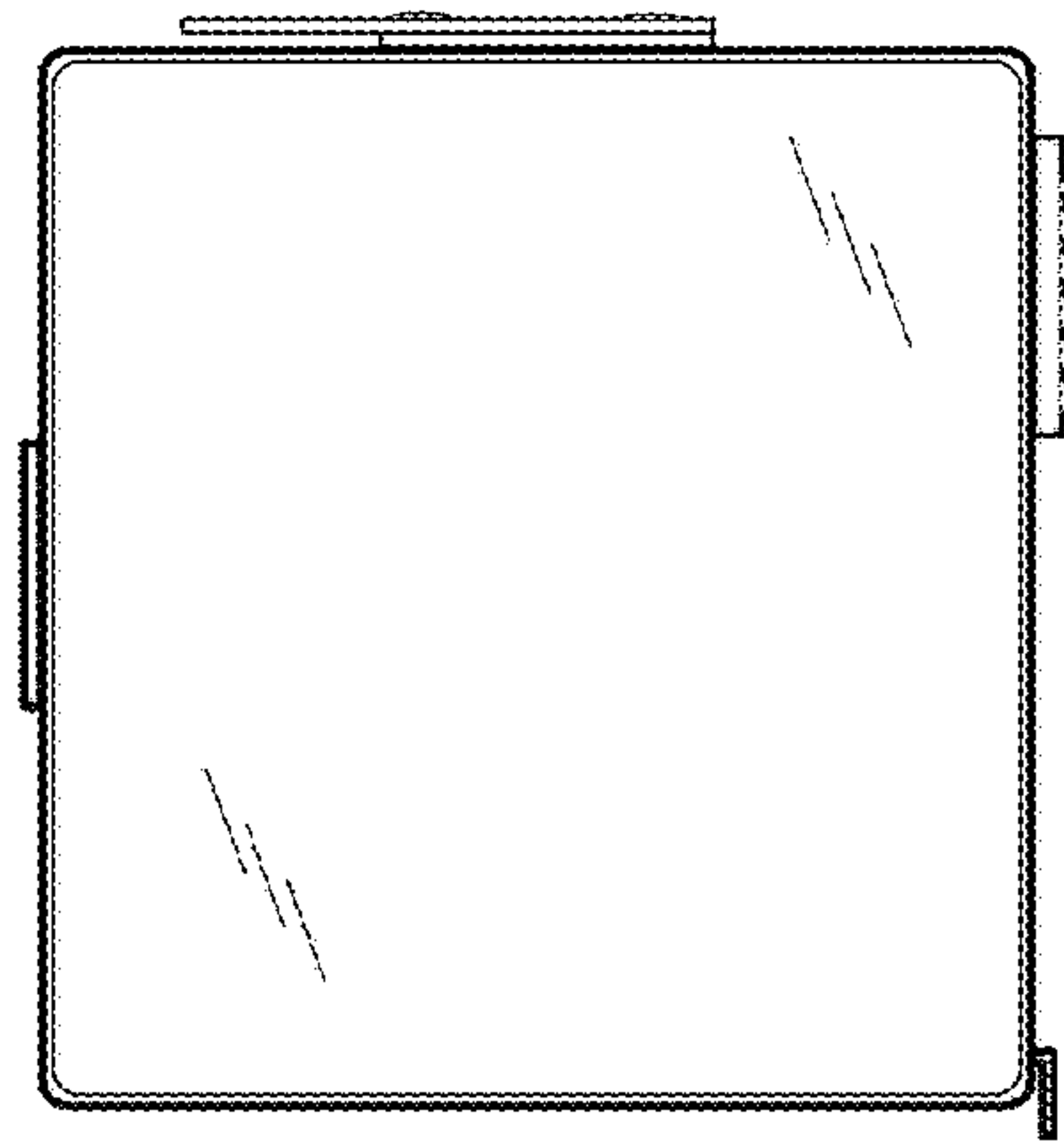


FIG. 6

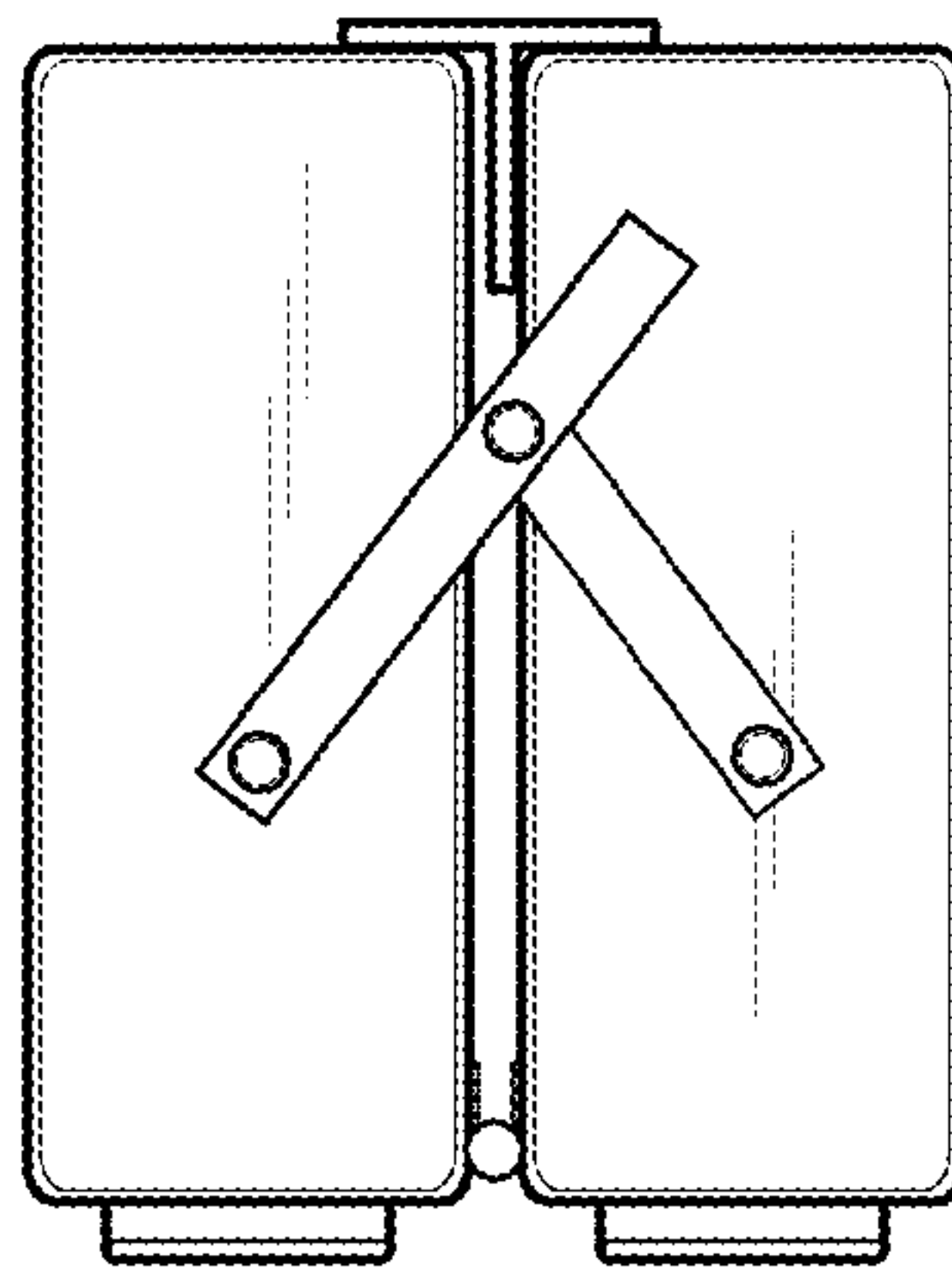


FIG. 7

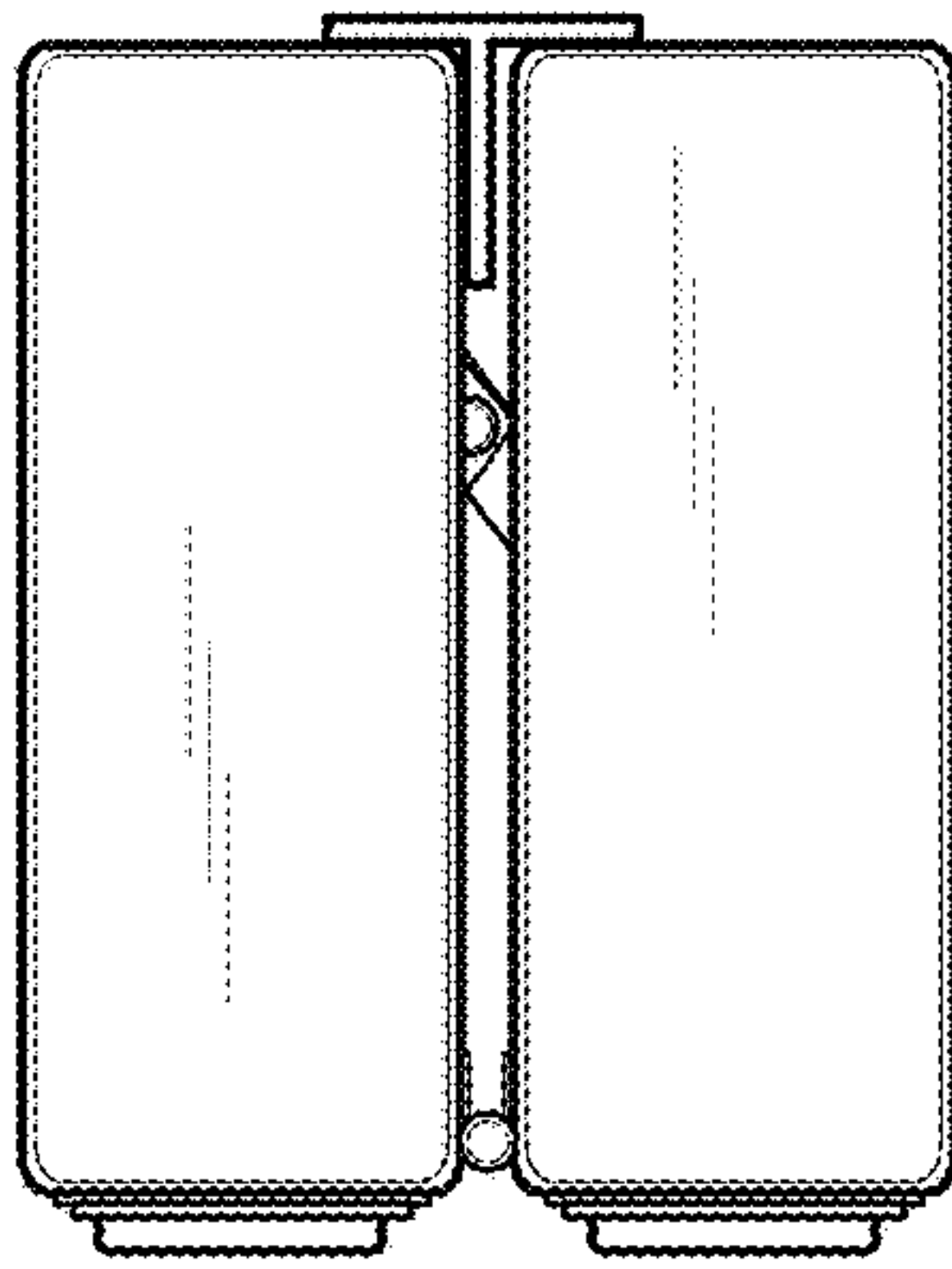


FIG. 8