



US00D783430S

(12) **United States Design Patent**  
**Wortelboer et al.**

(10) **Patent No.:** **US D783,430 S**  
(45) **Date of Patent:** **\*\* Apr. 11, 2017**

(54) **TAPE MEASURE**  
(71) Applicant: **Milwaukee Electric Tool Corporation,**  
Brookfield, WI (US)

2,156,905 A 5/1939 Stowell et al.  
2,574,272 A 11/1951 McCully  
2,614,769 A 10/1952 Nicholson  
(Continued)

(72) Inventors: **David A. Wortelboer,** Hales Corners,  
WI (US); **Steven W. Hyma,**  
Milwaukee, WI (US); **Kyle C.**  
**Anderson,** Milwaukee, WI (US)

**FOREIGN PATENT DOCUMENTS**

CN 2174684 8/1994  
DE 102006058396 A1 7/2008  
(Continued)

(73) Assignee: **Milwaukee Electric Tool Corporation,**  
Brookfield, WI (US)

**OTHER PUBLICATIONS**

Hyun-Kyu Ko, "A Study on Design of Measure Tape for Home Use (for DIY)" (1996) Master's Thesis-Kyung Sung University, Graduate School of Industry, Department of Industrial Design, 658.04 4 (81 pages with English translation).

(\*\*) Term: **15 Years**

*Primary Examiner* — Antoine D Davis

(21) Appl. No.: **29/550,859**

(22) Filed: **Jan. 7, 2016**

(74) *Attorney, Agent, or Firm* — Reinhart Boerner Van Deuren s.c.

(51) **LOC (10) Cl.** ..... **10-04**

(52) **U.S. Cl.**  
USPC ..... **D10/72**

(57) **CLAIM**

We claim the ornamental design for a tape measure, as shown and described.

(58) **Field of Classification Search**  
USPC ..... D10/72  
CPC ..... G01B 3/10; G01B 3/1002; G01B 3/1041;  
G01B 2003/1043; G01B 2003/1046;  
G01B 2003/1048; G01B 2003/1051;  
G01B 2003/1053–2003/1097; G01B  
3/1082; G01B 3/1056; G01B 3/566;  
G01B 3/1071; G07B 3/10

**DESCRIPTION**

FIG. 1 is a perspective view of a tape measure embodying the invention;  
FIG. 2 is a front view of the tape measure of FIG. 1;  
FIG. 3 is a rear view of the tape measure of FIG. 1;  
FIG. 4 is a right side view of the tape measure of FIG. 1;  
FIG. 5 is a left side view of the tape measure of FIG. 1;  
FIG. 6 is a top view of the tape measure of FIG. 1; and,  
FIG. 7 is a bottom view of the tape measure of FIG. 1.  
The elements shown in broken lines are included for the purpose of illustrating environment and form no part of the claimed design.

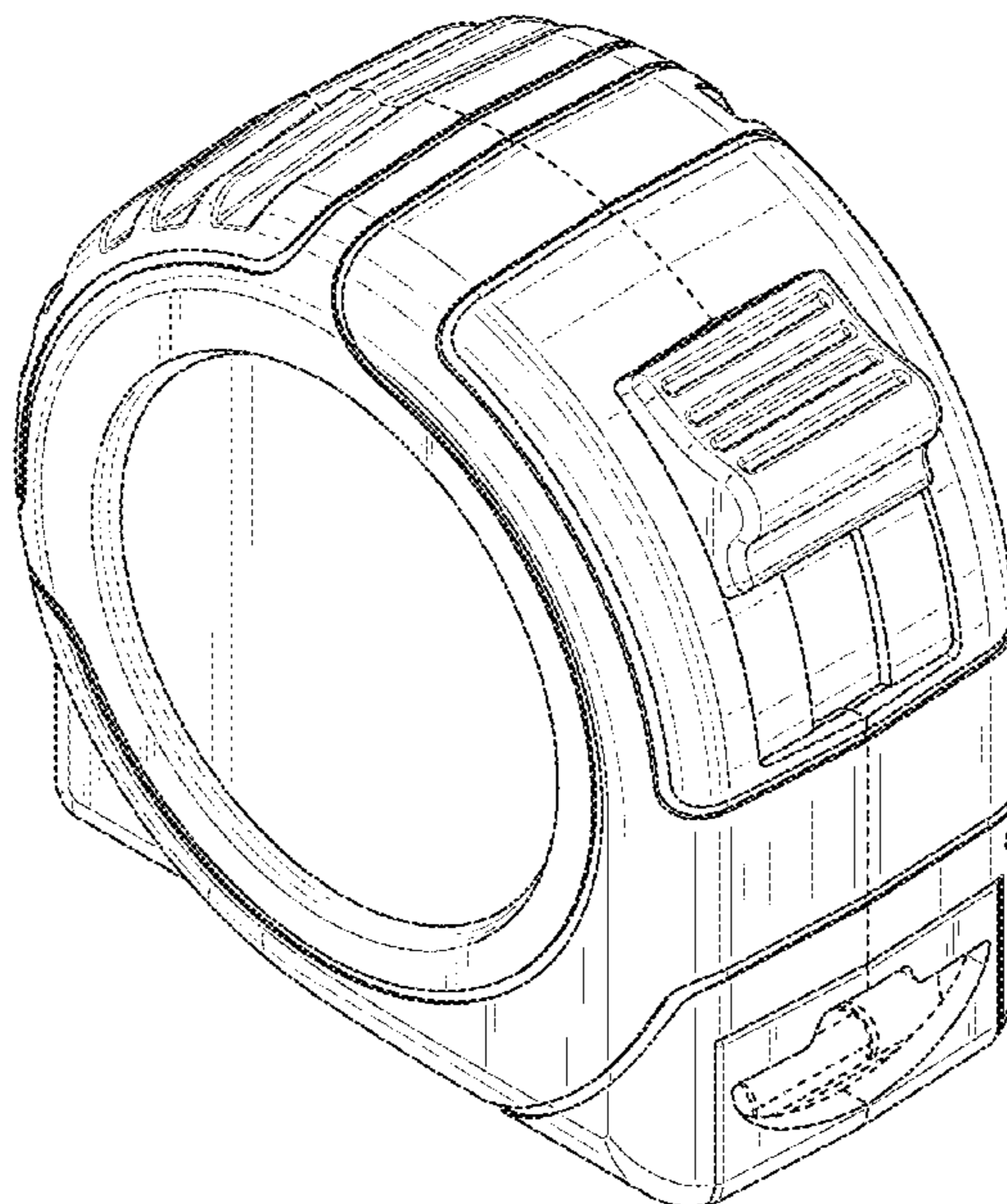
See application file for complete search history.

(56) **References Cited**

**U.S. PATENT DOCUMENTS**

14,947 A 5/1856 Buck et al.  
1,303,756 A 5/1919 Ballou  
1,613,676 A 1/1927 Raphael  
2,052,259 A 8/1936 Stowell

**1 Claim, 7 Drawing Sheets**



(56)

## References Cited

## U.S. PATENT DOCUMENTS

|             |         |                    |              |         |                     |
|-------------|---------|--------------------|--------------|---------|---------------------|
| 2,683,933 A | 7/1954  | McFarland          | 4,982,910 A  | 1/1991  | Bickford            |
| 2,816,369 A | 12/1957 | Becker             | 4,998,356 A  | 3/1991  | Chapin              |
| 2,994,958 A | 8/1961  | Beeber             | 5,010,657 A  | 4/1991  | Knapp               |
| 3,100,937 A | 8/1963  | Burch              | 5,038,985 A  | 8/1991  | Chapin              |
| 3,164,907 A | 1/1965  | Quenot             | 5,046,339 A  | 9/1991  | Krell               |
| 3,214,836 A | 11/1965 | West               | 5,062,215 A  | 11/1991 | Schlitt             |
| 3,499,225 A | 3/1970  | Darrah             | 5,134,784 A  | 8/1992  | Atienza             |
| 3,499,612 A | 3/1970  | Zelnick            | D333,628 S   | 3/1993  | Piotrkowski         |
| 3,519,219 A | 7/1970  | Zelnick            | 5,189,801 A  | 3/1993  | Nicely              |
| 3,519,220 A | 7/1970  | Zelnick            | 5,208,767 A  | 5/1993  | George-Kelso et al. |
| 3,521,831 A | 7/1970  | Schmidt            | 5,210,956 A  | 5/1993  | Knispel et al.      |
| 3,570,782 A | 3/1971  | Hayes              | 5,230,158 A  | 7/1993  | Wall                |
| 3,577,641 A | 5/1971  | Smith              | D342,210 S   | 12/1993 | Grossman            |
| 3,578,259 A | 5/1971  | Zelnick            | D342,459 S   | 12/1993 | Shen                |
| 3,672,597 A | 6/1972  | Williamson         | D342,687 S   | 12/1993 | Kang                |
| 3,713,603 A | 1/1973  | Shore              | 5,335,421 A  | 8/1994  | Jones, Jr.          |
| 3,716,201 A | 2/1973  | West               | D350,703 S   | 9/1994  | Fifer               |
| 3,816,925 A | 6/1974  | Hogan et al.       | 5,367,785 A  | 11/1994 | Benarroch           |
| 3,838,520 A | 10/1974 | Quenot             | 5,448,837 A  | 9/1995  | Han-Teng            |
| 3,869,096 A | 3/1975  | Hogan et al.       | D365,769 S   | 1/1996  | Kang                |
| 3,874,608 A | 4/1975  | Quenot             | 5,481,813 A  | 1/1996  | Templeton           |
| 3,905,114 A | 9/1975  | Rutty              | 5,506,378 A  | 4/1996  | Goldenberg          |
| 3,908,277 A | 9/1975  | Rutty              | 5,531,395 A  | 7/1996  | Hsu                 |
| 3,918,657 A | 11/1975 | Hawker et al.      | 5,542,184 A  | 8/1996  | Beard               |
| 3,942,738 A | 3/1976  | Rutty              | D375,269 S   | 11/1996 | Wertheim            |
| 4,067,513 A | 1/1978  | Rutty et al.       | 5,575,077 A  | 11/1996 | Tae                 |
| 4,077,128 A | 3/1978  | Stoutenberg        | 5,600,894 A  | 2/1997  | Blackman et al.     |
| D247,878 S  | 5/1978  | Covey              | 5,659,970 A  | 8/1997  | Reedy               |
| 4,103,426 A | 8/1978  | Robin              | 5,699,623 A  | 12/1997 | Lee                 |
| 4,121,785 A | 10/1978 | Quenot             | 5,746,004 A  | 5/1998  | Wertheim            |
| 4,131,244 A | 12/1978 | Quenot             | D396,816 S   | 8/1998  | Kang                |
| 4,142,693 A | 3/1979  | Czerwinski         | D397,304 S   | 8/1998  | Kang                |
| 4,149,320 A | 4/1979  | Troyer et al.      | 5,791,581 A  | 8/1998  | Loeffler et al.     |
| 4,153,996 A | 5/1979  | Rutty              | 5,794,357 A  | 8/1998  | Gilliam et al.      |
| 4,161,781 A | 7/1979  | Hildebrandt et al. | D397,626 S   | 9/1998  | Davis               |
| 4,164,334 A | 8/1979  | Rathbun et al.     | D397,950 S   | 9/1998  | Blackman            |
| 4,164,816 A | 8/1979  | Bergkvist          | 5,806,202 A  | 9/1998  | Blackman et al.     |
| D253,876 S  | 1/1980  | Covey              | 5,815,940 A  | 10/1998 | Valentine, Sr.      |
| D253,877 S  | 1/1980  | Covey et al.       | 5,820,057 A  | 10/1998 | Decarolis et al.    |
| 4,186,490 A | 2/1980  | Quenot             | 5,829,152 A  | 11/1998 | Potter et al.       |
| 4,200,983 A | 5/1980  | West et al.        | D402,216 S   | 12/1998 | Gilliam             |
| 4,215,828 A | 8/1980  | Rathbun et al.     | 5,842,284 A  | 12/1998 | Goldman             |
| 4,215,829 A | 8/1980  | Boyllin            | 5,875,557 A  | 3/1999  | Ueki                |
| D256,894 S  | 9/1980  | Bruno              | 5,884,408 A  | 3/1999  | Simmons             |
| D257,008 S  | 9/1980  | Hildebrandt        | 5,894,677 A  | 4/1999  | Hoffman             |
| 4,286,387 A | 9/1981  | Di Diego           | 5,895,539 A  | 4/1999  | Hsu                 |
| 4,288,923 A | 9/1981  | Duda               | D409,104 S   | 5/1999  | Yang                |
| 4,363,171 A | 12/1982 | Scandella          | 5,913,586 A  | 6/1999  | Marshall            |
| 4,411,072 A | 10/1983 | Rutty et al.       | 5,922,999 A  | 7/1999  | Yang                |
| 4,427,883 A | 1/1984  | Betensky et al.    | D412,858 S   | 8/1999  | Staton              |
| 4,429,462 A | 2/1984  | Rutty et al.       | 5,990,435 A  | 11/1999 | Chao                |
| 4,433,486 A | 2/1984  | Muehlenbein        | 6,011,472 A  | 1/2000  | Pendergraph         |
| 4,434,952 A | 3/1984  | Czerwinski et al.  | D420,606 S   | 2/2000  | Hsu                 |
| 4,449,302 A | 5/1984  | Drechsler et al.   | D421,230 S   | 2/2000  | Gilliam             |
| 4,462,160 A | 7/1984  | Cohen et al.       | 6,026,585 A  | 2/2000  | Li                  |
| 4,476,635 A | 10/1984 | Hart               | 6,032,379 A  | 3/2000  | Usami               |
| 4,479,617 A | 10/1984 | Edwards            | D423,382 S   | 4/2000  | Piotrkowski         |
| 4,487,379 A | 12/1984 | Drechsler et al.   | 6,052,914 A  | 4/2000  | Soon                |
| 4,489,494 A | 12/1984 | Duda               | D424,454 S   | 5/2000  | Ikeda               |
| 4,516,325 A | 5/1985  | Cohen et al.       | 6,082,017 A  | 7/2000  | Simar               |
| D279,553 S  | 7/1985  | Drechsler          | 6,085,433 A  | 7/2000  | Li                  |
| 4,527,334 A | 7/1985  | Jones et al.       | 6,098,303 A  | 8/2000  | Vogel               |
| 4,547,969 A | 10/1985 | Haack              | 6,108,926 A  | 8/2000  | Fraser et al.       |
| 4,574,486 A | 3/1986  | Drechsler          | 6,115,933 A  | 9/2000  | Li                  |
| 4,578,867 A | 4/1986  | Czerwinski et al.  | RE36,887 E   | 10/2000 | Goldman             |
| 4,583,294 A | 4/1986  | Hutchins et al.    | 6,148,534 A  | 11/2000 | Li                  |
| 4,603,481 A | 8/1986  | Cohen et al.       | 6,161,299 A  | 12/2000 | Lin                 |
| 4,619,020 A | 10/1986 | Lecher, Sr.        | 6,167,635 B1 | 1/2001  | Lin                 |
| 4,748,746 A | 6/1988  | Jacoff             | 6,178,655 B1 | 1/2001  | Potter et al.       |
| 4,811,489 A | 3/1989  | Walker             | D438,478 S   | 3/2001  | Lin                 |
| 4,860,901 A | 8/1989  | Hochreuther et al. | D439,531 S   | 3/2001  | Davis et al.        |
| 4,896,280 A | 1/1990  | Phillips           | 6,209,219 B1 | 4/2001  | Wakefield           |
| 4,930,227 A | 6/1990  | Ketchpel           | D441,308 S   | 5/2001  | Davis               |
| 4,965,941 A | 10/1990 | Agostinacci        | D442,076 S   | 5/2001  | Swanson             |
| 4,972,601 A | 11/1990 | Bickford et al.    | 6,237,243 B1 | 5/2001  | Cook                |
|             |         |                    | RE37,212 E   | 6/2001  | Marshall            |
|             |         |                    | 6,243,964 B1 | 6/2001  | Murray              |
|             |         |                    | 6,249,986 B1 | 6/2001  | Murray              |
|             |         |                    | D447,069 S   | 8/2001  | Budrow              |



(56)

References Cited

U.S. PATENT DOCUMENTS

|              |         |                 |              |         |                    |
|--------------|---------|-----------------|--------------|---------|--------------------|
| 6,272,764 B1 | 8/2001  | Lin             | 6,996,915 B2 | 2/2006  | Ricalde            |
| 6,276,071 B1 | 8/2001  | Khachatoorian   | 7,024,791 B2 | 4/2006  | Marshall et al.    |
| D447,712 S   | 9/2001  | Hsu             | D522,890 S   | 6/2006  | Huang              |
| 6,282,808 B1 | 9/2001  | Murray          | 7,055,260 B1 | 6/2006  | Hoffman            |
| 6,308,432 B1 | 10/2001 | Gilliam et al.  | 7,057,484 B2 | 6/2006  | Gilmore            |
| D451,041 S   | 11/2001 | Chen            | 7,059,061 B2 | 6/2006  | French             |
| D451,832 S   | 12/2001 | Lamond et al.   | 7,131,214 B1 | 11/2006 | Blackman et al.    |
| 6,324,769 B1 | 12/2001 | Murray          | 7,131,215 B2 | 11/2006 | Kang               |
| 6,338,204 B1 | 1/2002  | Howle           | D535,900 S   | 1/2007  | McKinney           |
| D453,303 S   | 2/2002  | Lin             | 7,159,331 B2 | 1/2007  | Critelli et al.    |
| 6,349,482 B1 | 2/2002  | Gilliam         | 7,168,182 B2 | 1/2007  | Kilpatrick et al.  |
| 6,367,161 B1 | 4/2002  | Murray et al.   | 7,174,655 B1 | 2/2007  | Gibbons et al.     |
| D458,163 S   | 6/2002  | Kang            | 7,174,656 B1 | 2/2007  | Smith              |
| D458,550 S   | 6/2002  | Hsu             | 7,178,257 B2 | 2/2007  | Kang et al.        |
| 6,431,486 B1 | 8/2002  | Lee             | 7,185,446 B1 | 3/2007  | King               |
| D463,300 S   | 9/2002  | Li              | D540,207 S   | 4/2007  | Ikeda              |
| 6,442,863 B1 | 9/2002  | Poineau et al.  | 7,234,246 B1 | 6/2007  | Rhead              |
| 6,449,866 B1 | 9/2002  | Murray          | RE39,719 E   | 7/2007  | Murray             |
| D464,277 S   | 10/2002 | Tarver          | D545,701 S   | 7/2007  | Cooper             |
| D464,579 S   | 10/2002 | Martone         | D547,681 S   | 7/2007  | Nelson et al.      |
| 6,470,582 B1 | 10/2002 | Renko           | 7,240,439 B2 | 7/2007  | Critelli et al.    |
| 6,470,590 B1 | 10/2002 | Lee             | 7,284,339 B1 | 10/2007 | Campbell et al.    |
| 6,490,809 B1 | 12/2002 | Li              | 7,299,565 B2 | 11/2007 | Marshall et al.    |
| 6,497,050 B1 | 12/2002 | Ricalde         | D557,155 S   | 12/2007 | Sa'ar              |
| 6,499,226 B1 | 12/2002 | Reda et al.     | D558,620 S   | 1/2008  | Critelli et al.    |
| D469,704 S   | 2/2003  | Williams et al. | D560,522 S   | 1/2008  | Farnworth et al.   |
| RE38,032 E   | 3/2003  | Butwin          | 7,334,344 B2 | 2/2008  | Scarborough        |
| D471,473 S   | 3/2003  | Blackman et al. | 7,343,694 B2 | 3/2008  | Erdfarb            |
| D471,827 S   | 3/2003  | Ranieri et al.  | D565,441 S   | 4/2008  | Critelli           |
| 6,530,159 B2 | 3/2003  | Tarver          | D565,442 S   | 4/2008  | Critelli           |
| 6,543,144 B1 | 4/2003  | Morin           | 7,353,619 B2 | 4/2008  | Gibbons et al.     |
| 6,546,644 B2 | 4/2003  | Poineau et al.  | 7,363,723 B1 | 4/2008  | Peterson           |
| D474,412 S   | 5/2003  | Ichinose et al. | 7,377,050 B2 | 5/2008  | Shute et al.       |
| 6,568,099 B2 | 5/2003  | Bergeron        | 7,398,604 B2 | 7/2008  | Murray             |
| D476,913 S   | 7/2003  | Blackman et al. | 7,406,778 B2 | 8/2008  | Lee et al.         |
| 6,595,451 B1 | 7/2003  | Kang et al.     | 7,415,777 B2 | 8/2008  | Campbell et al.    |
| 6,598,310 B1 | 7/2003  | Odachowski      | 7,415,778 B1 | 8/2008  | McEwan et al.      |
| 6,637,124 B2 | 10/2003 | Pederson        | D579,359 S   | 10/2008 | Critelli et al.    |
| 6,637,126 B2 | 10/2003 | Balota          | 7,434,330 B2 | 10/2008 | McEwan et al.      |
| 6,643,947 B2 | 11/2003 | Murray          | 7,454,845 B2 | 11/2008 | Wise               |
| D485,770 S   | 1/2004  | Lee             | D582,810 S   | 12/2008 | Cook               |
| D486,086 S   | 2/2004  | Jueneman        | 7,458,537 B2 | 12/2008 | Critelli et al.    |
| 6,684,522 B2 | 2/2004  | Chilton         | 7,475,842 B2 | 1/2009  | Campbell           |
| 6,688,010 B1 | 2/2004  | Schwaerzler     | 7,487,600 B1 | 2/2009  | Cooper             |
| 6,691,426 B1 | 2/2004  | Lee et al.      | 7,490,414 B2 | 2/2009  | Critelli et al.    |
| 6,694,622 B2 | 2/2004  | Kim             | 7,490,415 B1 | 2/2009  | Cubbedge           |
| 6,698,679 B1 | 3/2004  | Critelli et al. | D590,283 S   | 4/2009  | Critelli et al.    |
| 6,718,649 B1 | 4/2004  | Critelli et al. | D590,284 S   | 4/2009  | Critelli et al.    |
| 6,760,979 B1 | 7/2004  | Hsu             | 7,555,845 B2 | 7/2009  | Critelli et al.    |
| 6,796,052 B1 | 9/2004  | Lin             | 7,559,154 B2 | 7/2009  | Levine et al.      |
| 6,804,899 B2 | 10/2004 | Murray          | 7,565,751 B2 | 7/2009  | Murray             |
| 6,811,109 B1 | 11/2004 | Blackman et al. | 7,594,341 B2 | 9/2009  | Erdfarb            |
| 6,836,975 B2 | 1/2005  | Lin             | D603,248 S   | 11/2009 | Bar-Erez           |
| 6,839,981 B2 | 1/2005  | Rafter          | 7,617,616 B1 | 11/2009 | Berg               |
| 6,854,197 B2 | 2/2005  | Knight          | 7,627,958 B2 | 12/2009 | Tallon et al.      |
| D503,351 S   | 3/2005  | Chien           | 7,631,437 B2 | 12/2009 | Sanderson          |
| D503,637 S   | 4/2005  | Noel            | D611,849 S   | 3/2010  | Cook et al.        |
| D503,897 S   | 4/2005  | Lin             | 7,669,347 B1 | 3/2010  | Huang              |
| 6,874,245 B2 | 4/2005  | Liu             | D613,629 S   | 4/2010  | Suzuki             |
| D504,628 S   | 5/2005  | Weeks et al.    | D614,516 S   | 4/2010  | Capra              |
| D504,835 S   | 5/2005  | Snider          | 7,703,216 B2 | 4/2010  | Huang              |
| D504,836 S   | 5/2005  | Wang            | D617,224 S   | 6/2010  | Delneo et al.      |
| 6,892,468 B2 | 5/2005  | Murray          | 7,805,855 B2 | 10/2010 | Seo                |
| 6,904,697 B2 | 6/2005  | Zars            | 7,845,093 B2 | 12/2010 | Smiroldo           |
| D507,195 S   | 7/2005  | Kondo et al.    | 7,846,673 B2 | 12/2010 | Pastorek et al.    |
| 6,918,191 B2 | 7/2005  | Stauffer et al. | 7,854,074 B2 | 12/2010 | Zhou               |
| 6,920,700 B2 | 7/2005  | Ekdahl et al.   | 7,913,406 B2 | 3/2011  | Norelli            |
| 6,931,734 B2 | 8/2005  | Elder et al.    | 7,918,037 B1 | 4/2011  | Polkhovskiy        |
| 6,931,753 B2 | 8/2005  | Ryals et al.    | 7,987,611 B2 | 8/2011  | Taylor             |
| 6,935,045 B2 | 8/2005  | Cubbedge        | 8,015,723 B2 | 9/2011  | Solomon            |
| 6,938,354 B2 | 9/2005  | Worthington     | 8,056,849 B2 | 11/2011 | Ng et al.          |
| 6,944,961 B2 | 9/2005  | Carroll         | 8,081,815 B2 | 12/2011 | Kotake             |
| 6,959,499 B2 | 11/2005 | Bini            | D653,974 S   | 2/2012  | Capra              |
| 6,962,002 B2 | 11/2005 | Panosian        | 8,117,762 B2 | 2/2012  | Delneo et al.      |
| D514,962 S   | 2/2006  | Armendariz      | 8,117,763 B2 | 2/2012  | Delneo et al.      |
|              |         |                 | D660,735 S   | 5/2012  | Petrillo           |
|              |         |                 | 8,215,027 B2 | 7/2012  | Kang               |
|              |         |                 | D667,743 S * | 9/2012  | Huang ..... D10/72 |
|              |         |                 | 8,375,595 B2 | 2/2013  | Murray et al.      |

(56)

References Cited

U.S. PATENT DOCUMENTS

8,381,411 B2 2/2013 Delarosa et al.  
 8,407,909 B2 4/2013 Lindsay  
 D726,043 S \* 4/2015 Cook ..... D10/72  
 D733,597 S 7/2015 Hyma et al.  
 2001/0003872 A1 6/2001 Pederson  
 2001/0042315 A1 11/2001 Dixon  
 2002/0011008 A1 1/2002 Nelson et al.  
 2002/0066193 A1 6/2002 Hodge  
 2002/0066774 A1 6/2002 Prochac  
 2002/0073570 A1 6/2002 Conder  
 2003/0009899 A1 1/2003 Ha  
 2003/0019116 A1 1/2003 Dewall  
 2003/0019123 A1 1/2003 Lin  
 2003/0070315 A1 4/2003 Bergeron  
 2003/0213141 A1 11/2003 Lin  
 2003/0233762 A1 12/2003 Blackman et al.  
 2004/0044438 A1 3/2004 Lorraine et al.  
 2004/0055174 A1 3/2004 Hirsch, Jr.  
 2004/0071869 A1 4/2004 Gilliam et al.  
 2004/0088875 A1 5/2004 Lee et al.  
 2004/0163267 A1 8/2004 Bini  
 2004/0163271 A1 8/2004 Zars  
 2004/0163272 A1 8/2004 Knight  
 2005/0005470 A1 1/2005 Snider  
 2005/0028396 A1 2/2005 Stauffer et al.  
 2005/0155244 A1 7/2005 Ryals et al.  
 2005/0155245 A1 7/2005 Panosian  
 2005/0252020 A1 11/2005 Critelli et al.  
 2005/0252021 A1 11/2005 Kang  
 2006/0010705 A1 1/2006 Dettellis  
 2006/0096112 A1 5/2006 Berring  
 2006/0096113 A1 5/2006 Kang et al.  
 2006/0107546 A1 5/2006 Pritchard  
 2006/0130352 A1 6/2006 Huang  
 2006/0185185 A1 8/2006 Scarborough  
 2006/0230627 A1 10/2006 Blackman et al.  
 2006/0248742 A1 11/2006 Marshall et al.  
 2006/0283036 A1 12/2006 Huang  
 2007/0017111 A1 1/2007 Hoback et al.  
 2007/0056182 A1 3/2007 Di Bitonto et al.  
 2007/0079520 A1 4/2007 Levine et al.  
 2007/0152091 A1 7/2007 Campbell  
 2007/0171630 A1 7/2007 Gibbons et al.  
 2007/0227028 A1 10/2007 Campbell et al.  
 2008/0028628 A1 2/2008 Campbell et al.  
 2008/0086902 A1 4/2008 Murray  
 2008/0086903 A1 4/2008 Peterson  
 2008/0086904 A1 4/2008 Murray  
 2008/0285854 A1 11/2008 Kotake et al.  
 2009/0064517 A1 3/2009 Sanderson  
 2009/0064525 A1 3/2009 Chen  
 2009/0064526 A1 3/2009 Farnworth et al.  
 2009/0249636 A1 10/2009 Reda et al.  
 2010/0139110 A1 6/2010 Germain  
 2010/0314277 A1 12/2010 Murray  
 2010/0325910 A1 12/2010 Huang

2011/0005094 A1 1/2011 Solomon  
 2011/0138642 A1 6/2011 Norelli  
 2011/0179661 A1 7/2011 Delneo et al.  
 2011/0179663 A1 7/2011 Kang  
 2011/0179664 A1 7/2011 Delneo et al.  
 2012/0036727 A1 2/2012 McCarthy  
 2012/0055038 A1 3/2012 Lindsay  
 2012/0073156 A1 3/2012 Delarosa et al.  
 2012/0159799 A1 6/2012 Murray et al.  
 2012/0167403 A1 7/2012 Roeske  
 2013/0025147 A1 1/2013 Steele et al.  
 2013/0025148 A1 1/2013 Steele et al.  
 2013/0047455 A1 2/2013 Steele et al.  
 2013/0185949 A1 7/2013 Burch et al.

FOREIGN PATENT DOCUMENTS

DE 102006058396 B4 6/2011  
 EP 66322 10/1986  
 EP 199430 10/1986  
 EP 531570 3/1993  
 EP 427932 2/1996  
 EP 724133 7/1996  
 EP 0896200 A2 2/1999  
 EP 0896200 A3 12/1999  
 EP 1074813 2/2001  
 EP 1175840 1/2002  
 EP 1411319 4/2004  
 EP 1144947 9/2004  
 EP 1469276 10/2004  
 EP 1104542 12/2004  
 EP 1553382 7/2005  
 EP 922196 11/2005  
 EP 1647797 4/2006  
 EP 1237431 10/2006  
 EP 1914508 4/2008  
 EP 1914509 4/2008  
 EP 2469218 6/2012  
 GB 690458 4/1953  
 JP 1961002384 2/1961  
 JP 1983134704 9/1983  
 JP 10332301 12/1998  
 KR 19840001901 9/1984  
 KR 19910004712 11/1991  
 WO WO 9402799 2/1994  
 WO WO 9714541 4/1997  
 WO WO 9809133 3/1998  
 WO WO 9811402 3/1998  
 WO WO 9823524 6/1998  
 WO WO 9923447 5/1999  
 WO WO 0009969 2/2000  
 WO WO 0060306 10/2000  
 WO WO 02057710 7/2002  
 WO WO 03031903 4/2003  
 WO WO 2005008171 1/2005  
 WO WO 2007059353 5/2007  
 WO WO 2007059354 5/2007  
 WO WO 2007126960 11/2007

\* cited by examiner



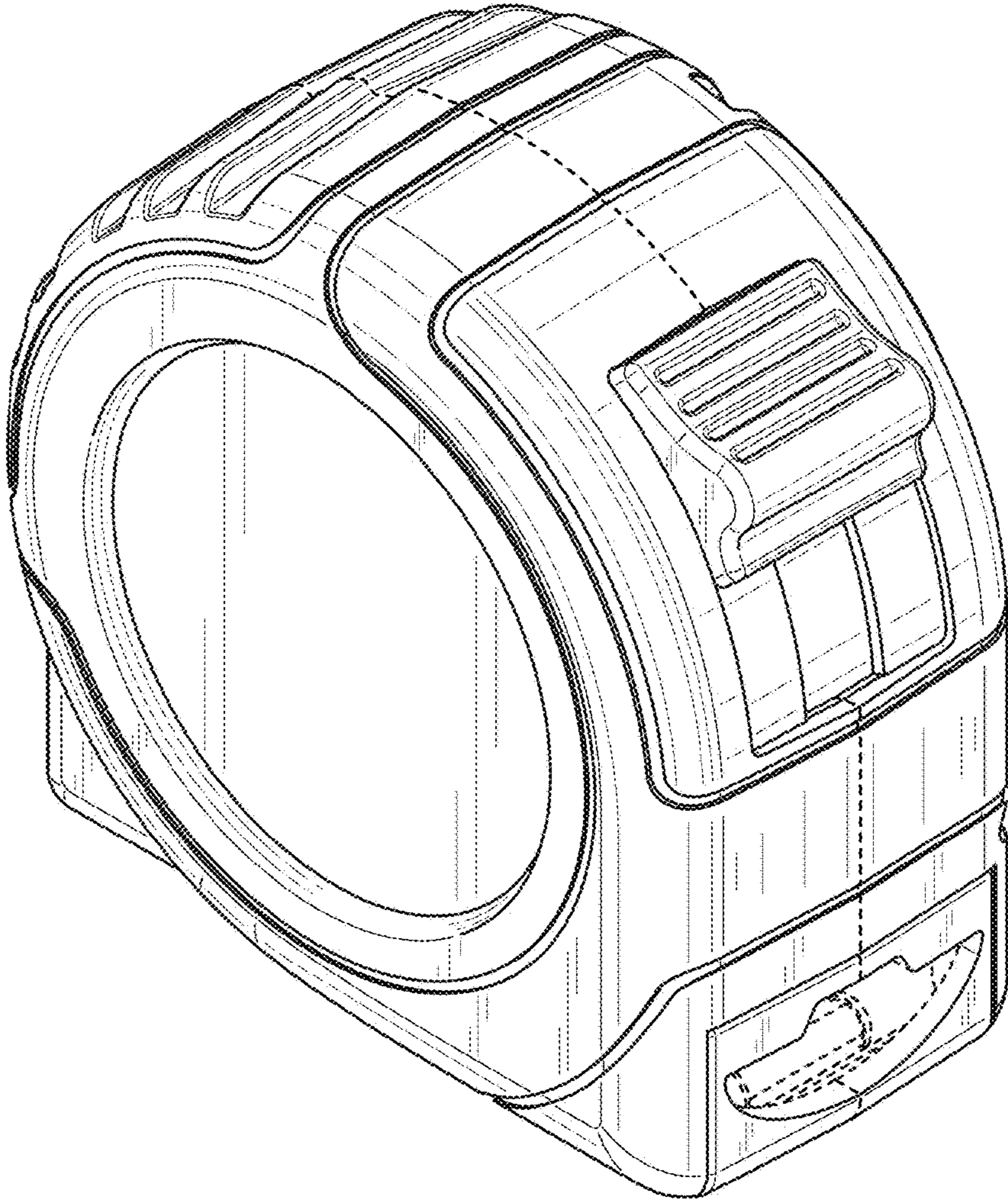


FIG. 1

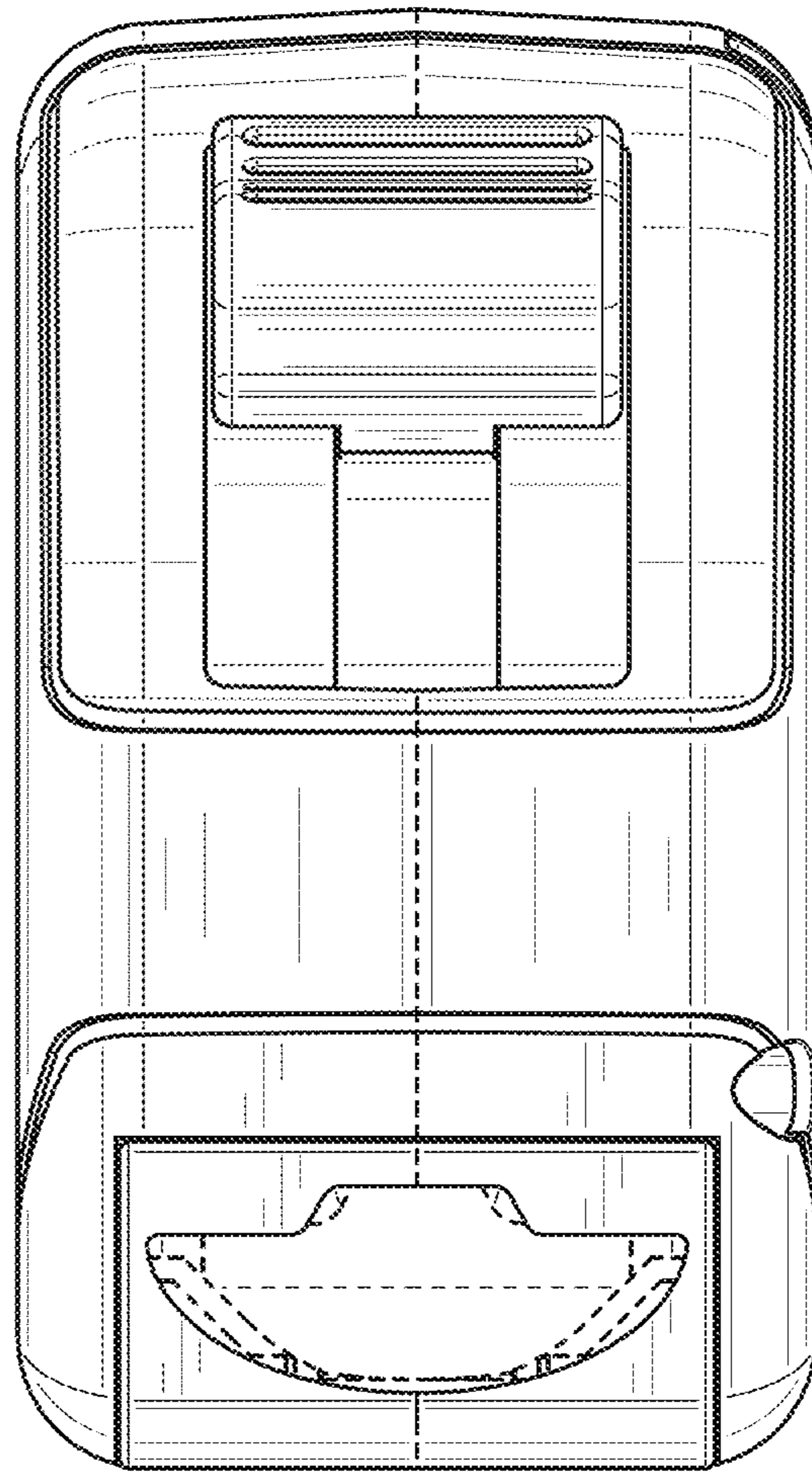


FIG. 2

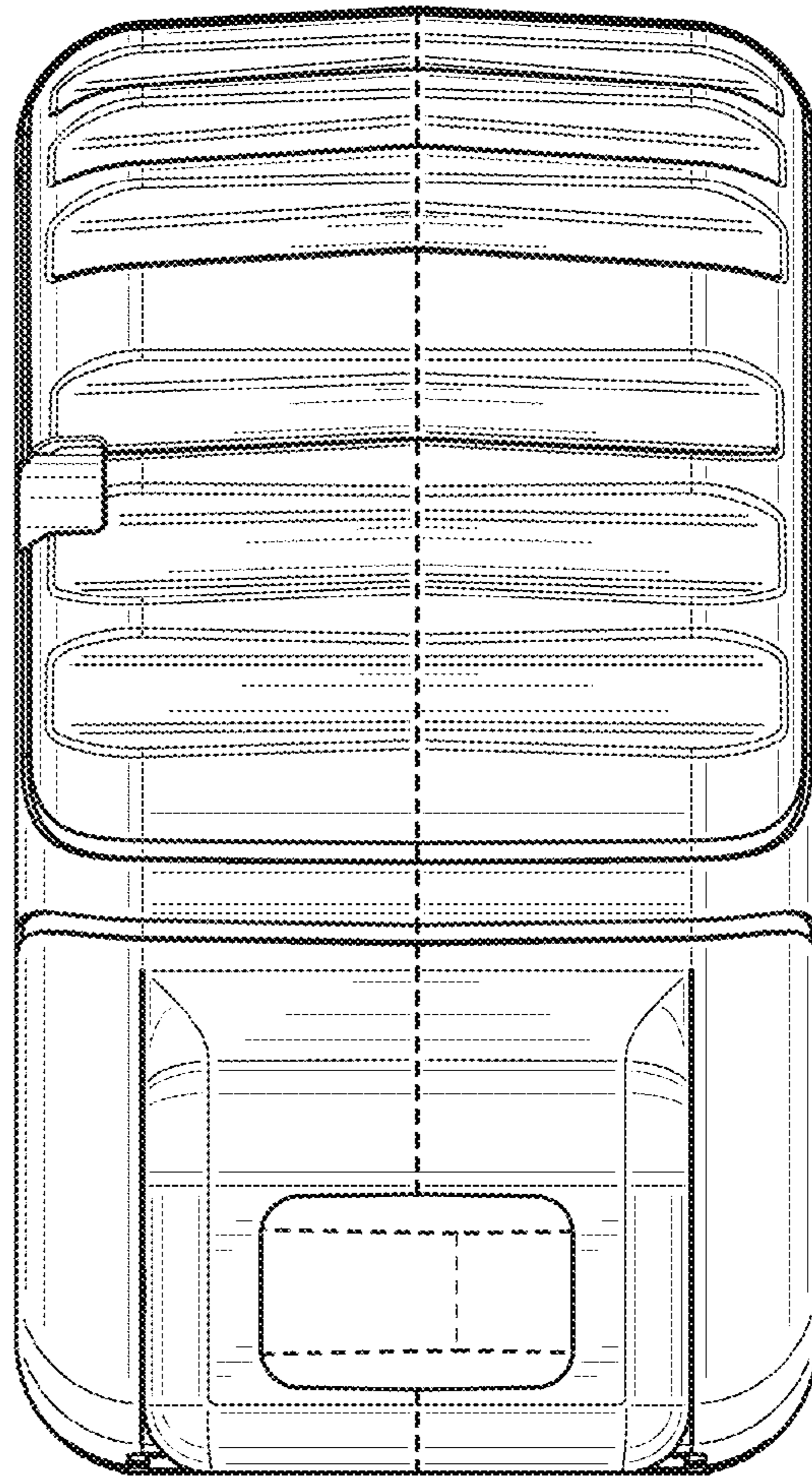


FIG. 3



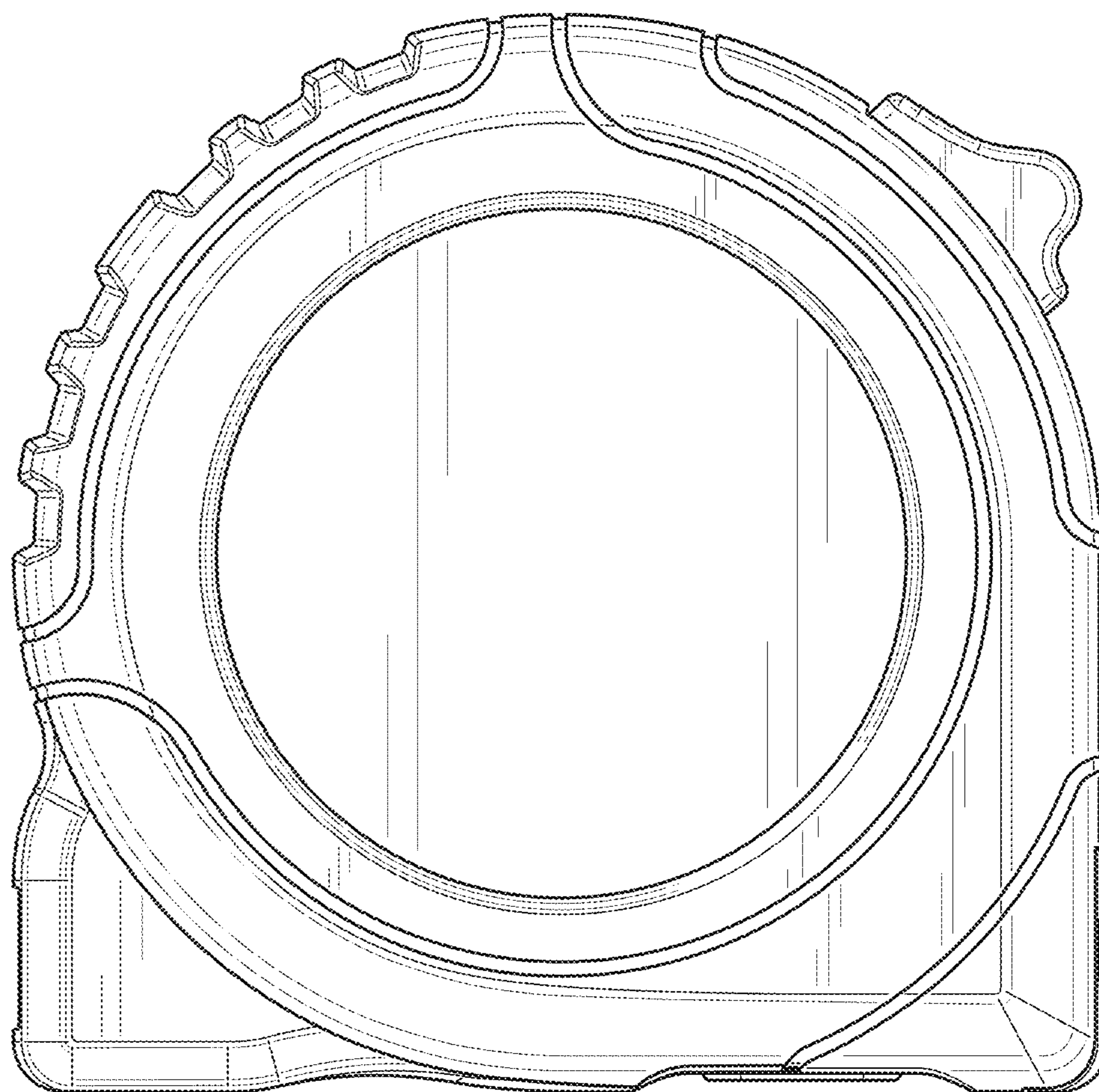


FIG. 4



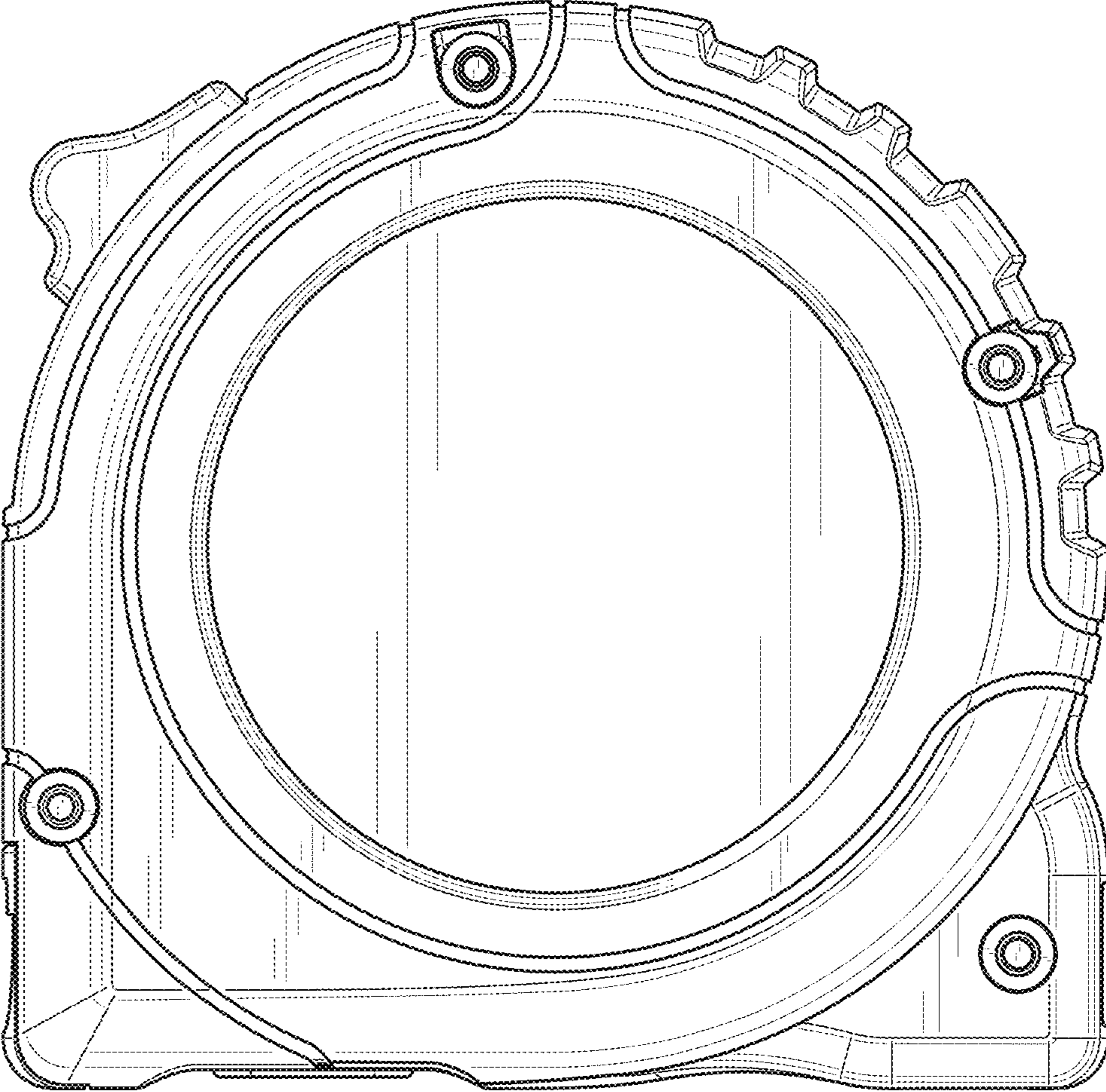


FIG. 5

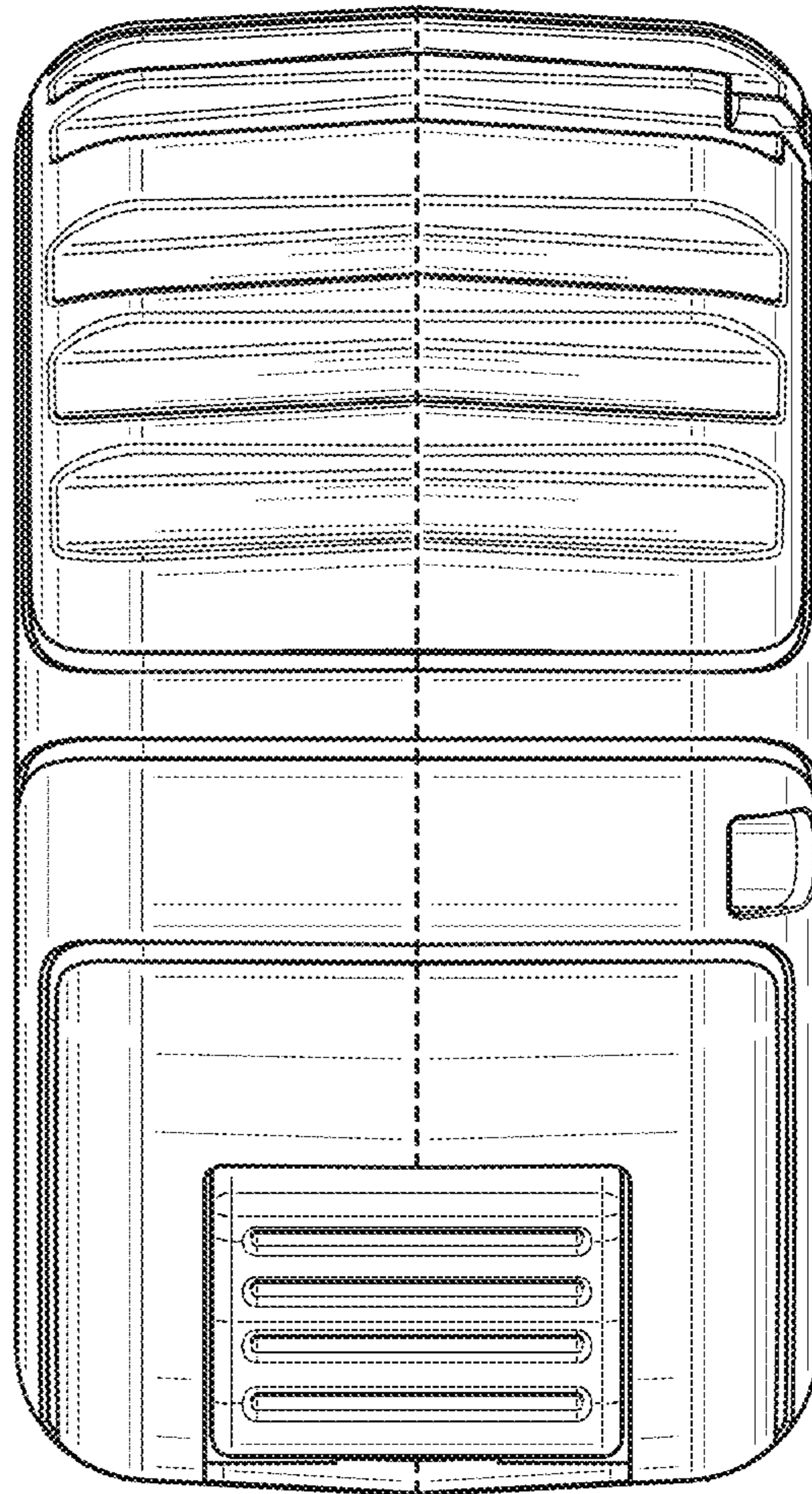


FIG. 6



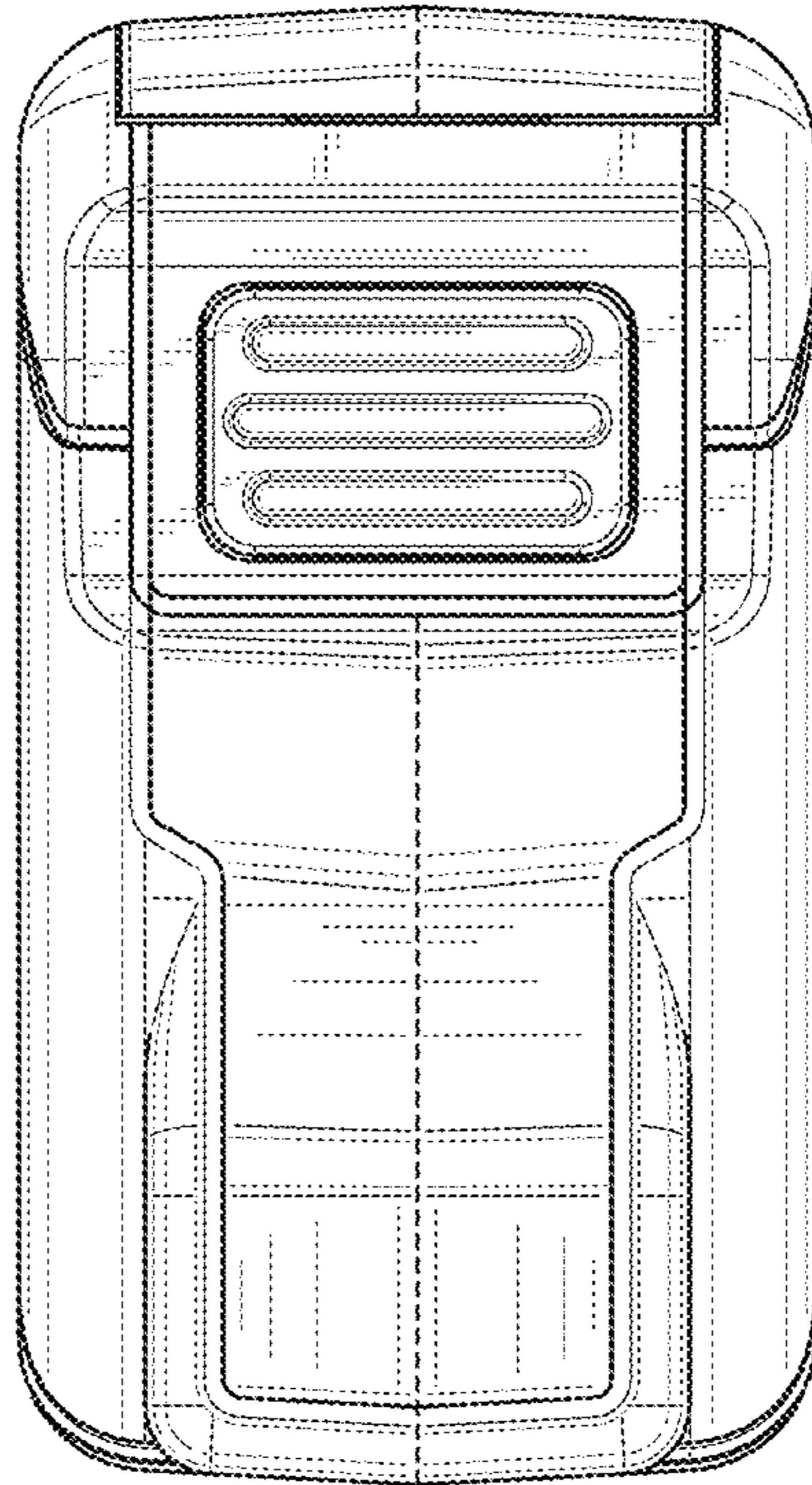


FIG. 7