

US00D783428S

(12) **United States Design Patent**
Rhein et al.

(10) **Patent No.:** **US D783,428 S**
(45) **Date of Patent:** **** Apr. 11, 2017**

(54) **DEVICE FOR MEASURING LENGTH**

CPC G01B 5/061
See application file for complete search history.

(71) Applicant: **SECA AG**, Reinach (CH)

(56) **References Cited**

(72) Inventors: **Detlef Rhein**, Hamburg (DE); **Till Garthoff**, Hamburg (DE)

U.S. PATENT DOCUMENTS

(**) Term: **15 Years**

7,207,121 B2 * 4/2007 Wixey G01B 5/061
33/613
7,263,786 B1 * 9/2007 Zanier G01B 5/061
33/832
D611,368 S * 3/2010 Garthoff D10/70
D611,369 S * 3/2010 Garthoff D10/70
7,992,314 B2 * 8/2011 Strack G01B 5/061
33/503
D678,088 S * 3/2013 Haykeen D10/70
D727,760 S * 4/2015 Matsumiya D10/70
D764,324 S * 8/2016 Zhang D10/70

(21) Appl. No.: **35/500,451**

(22) Filed: **Dec. 7, 2015**

* cited by examiner

(80) **Hague Agreement Data**

Int. Filing Date: **Dec. 7, 2015**

Primary Examiner — George D Kirschbaum

Int. Reg. No.: **DM/088718**

(57) **CLAIM**

Int. Reg. Date: **Dec. 7, 2015**

The ornamental design for a device for measuring length, as shown and described.

Int. Reg. Pub. Date: **Jan. 1, 2016**

DESCRIPTION

(30) **Foreign Application Priority Data**

Jun. 10, 2015 (EM) 001435705-0001

(51) **LOC (10) Cl.** **10-04**

(52) **U.S. Cl.**

USPC **D10/70**

(58) **Field of Classification Search**

USPC D10/70, 71

1. Device for measuring length

1.1 : Right

1.2 : Front

1.3 : Left

1.4 : Back

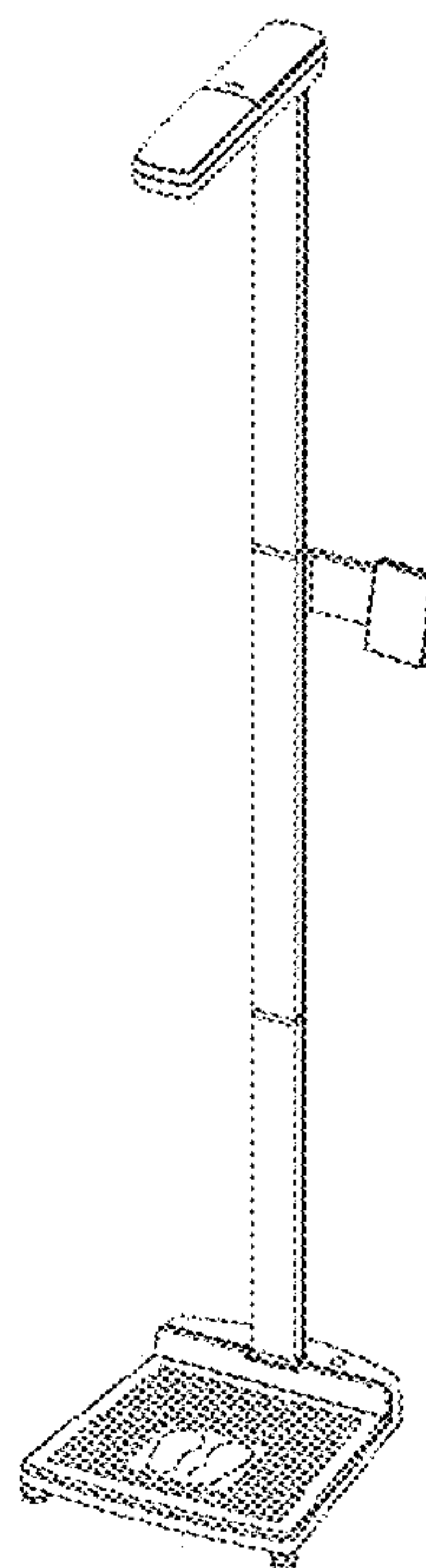
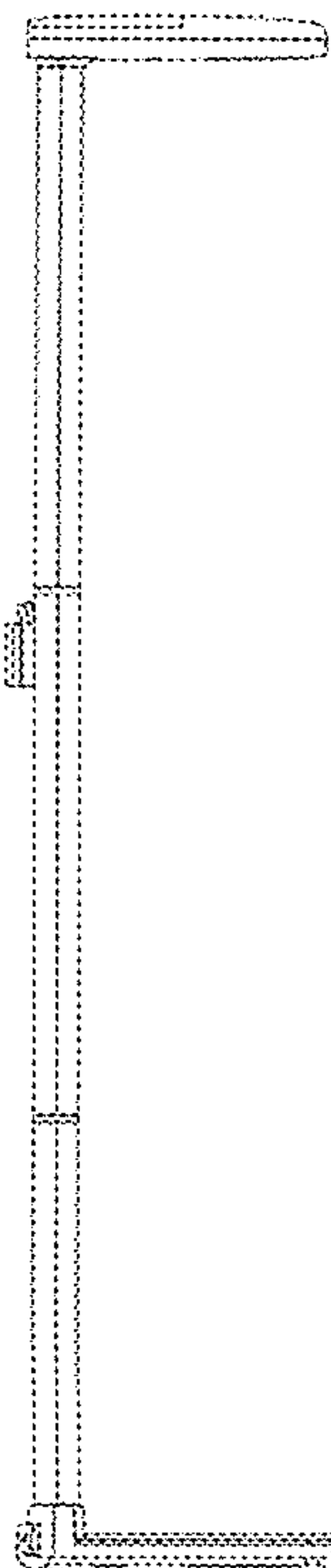
1.5 : Top

1.6 : Perspective

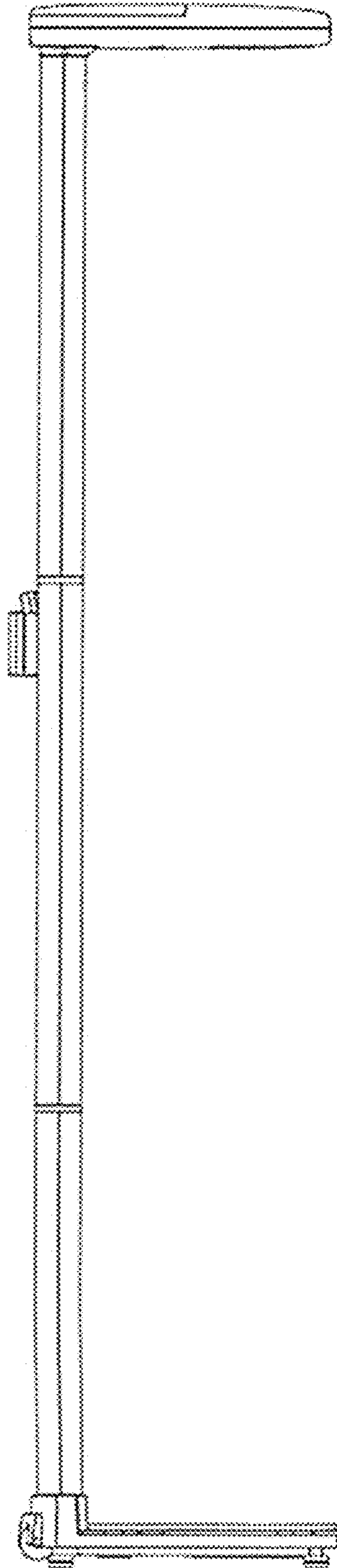
1.7 : Perspective

1.8 : Bottom

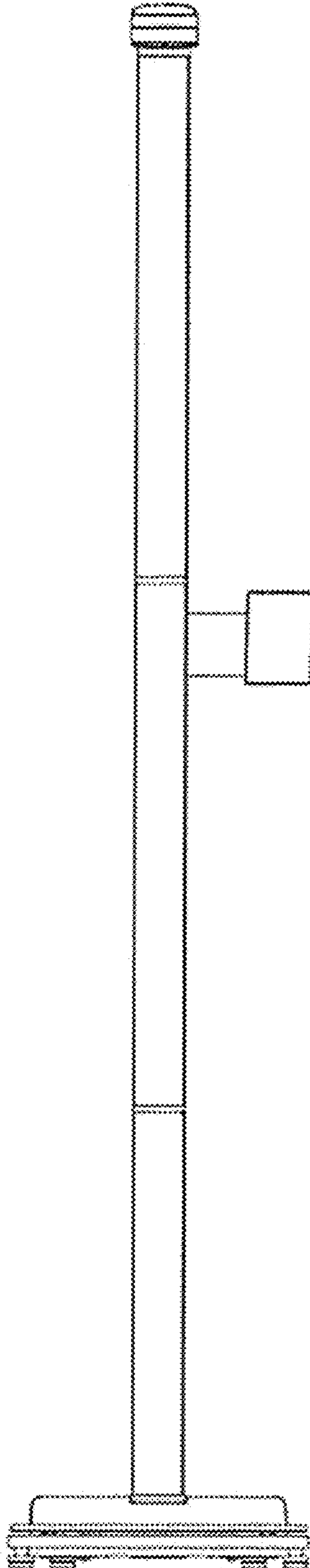
1 Claim, 8 Drawing Sheets



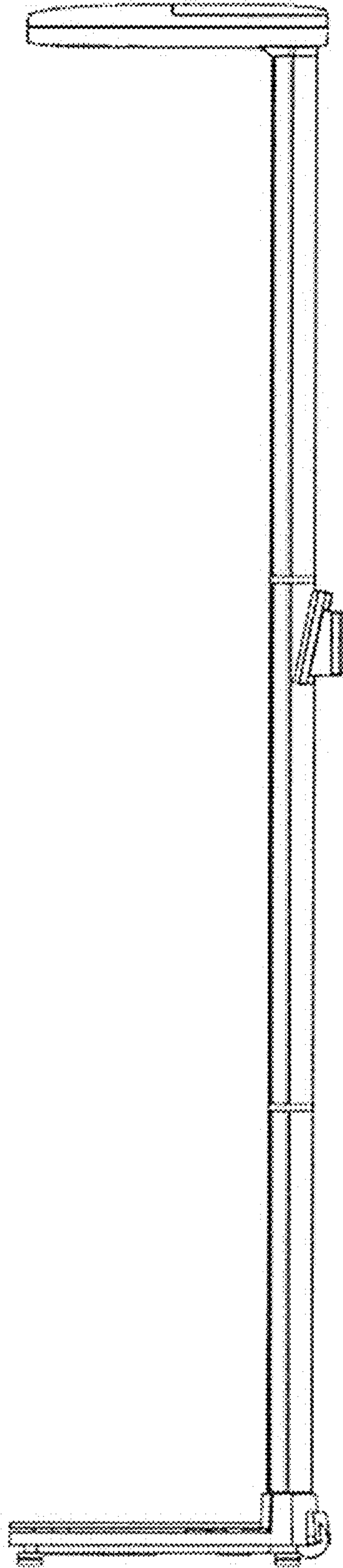
1.1



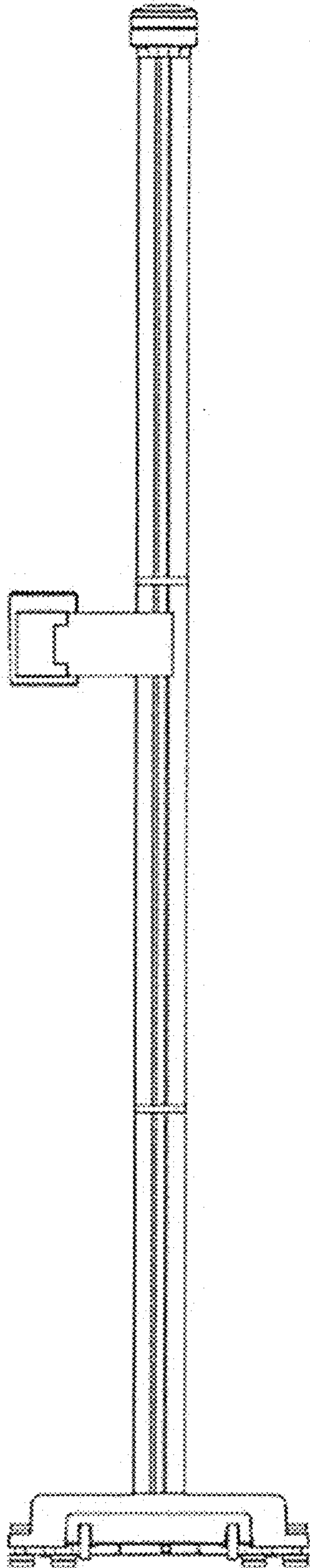
1.2



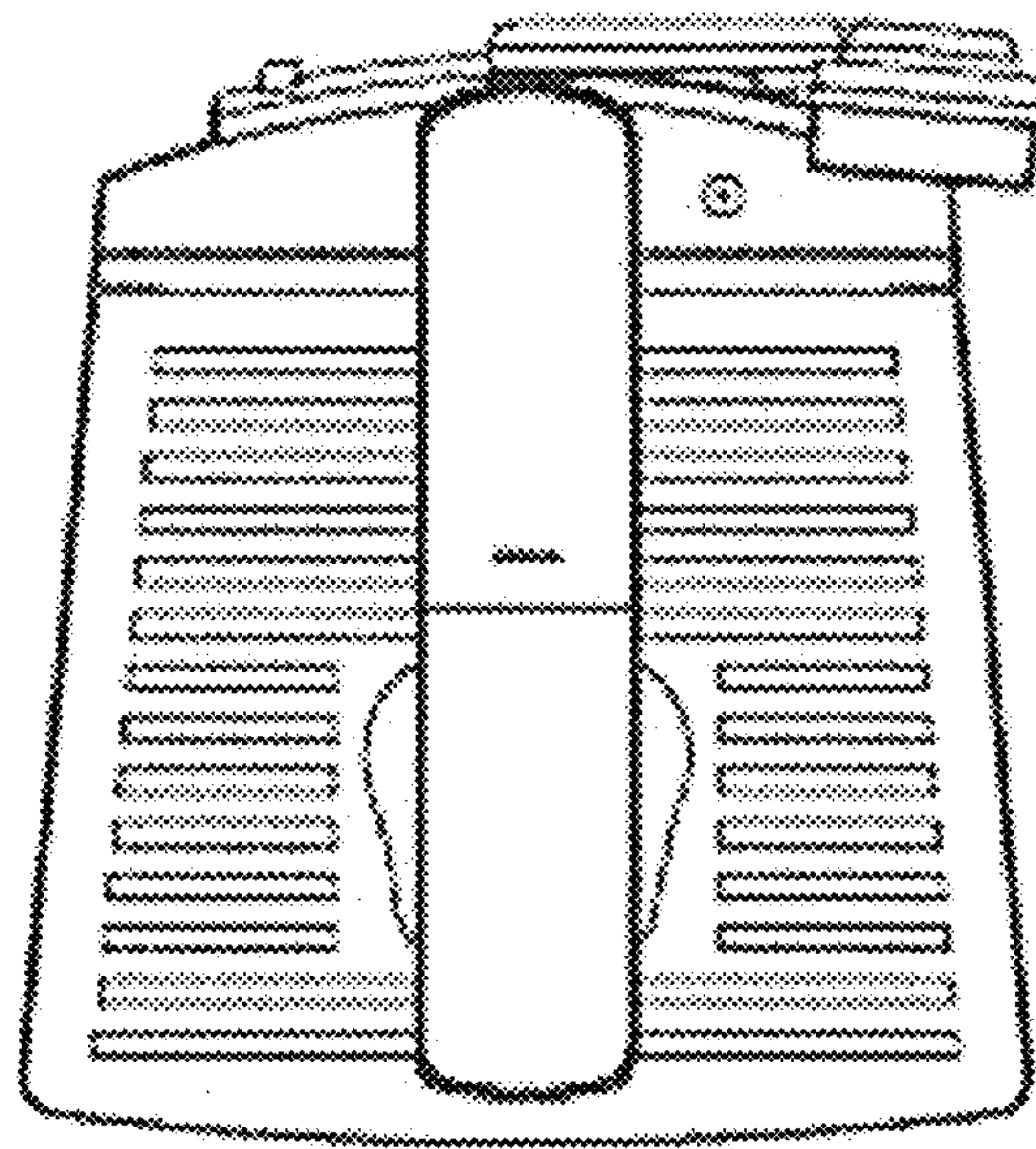
1.3



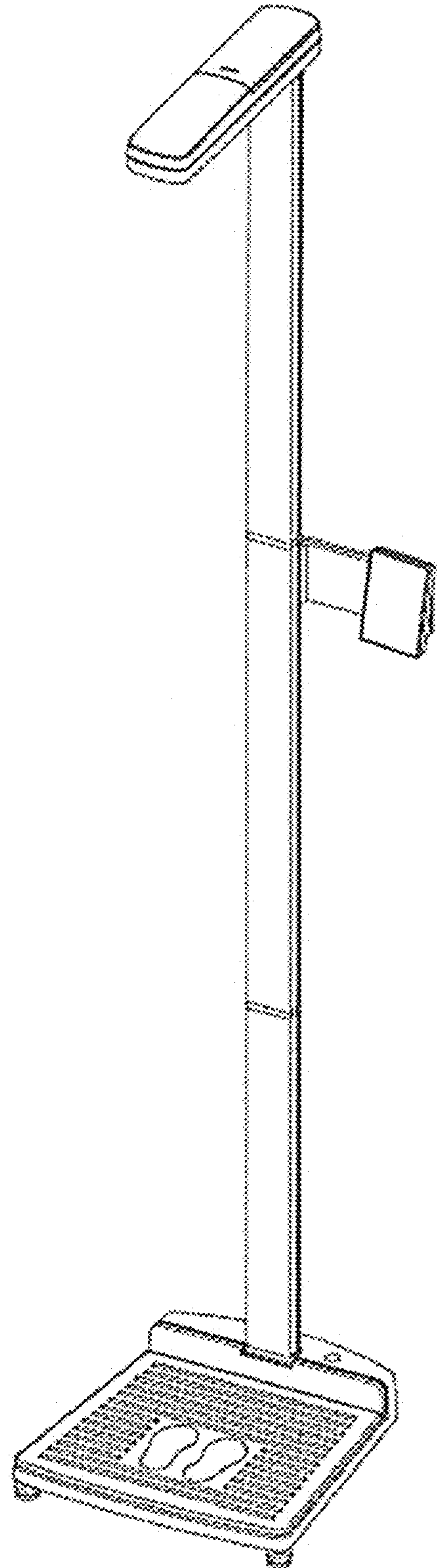
1.4



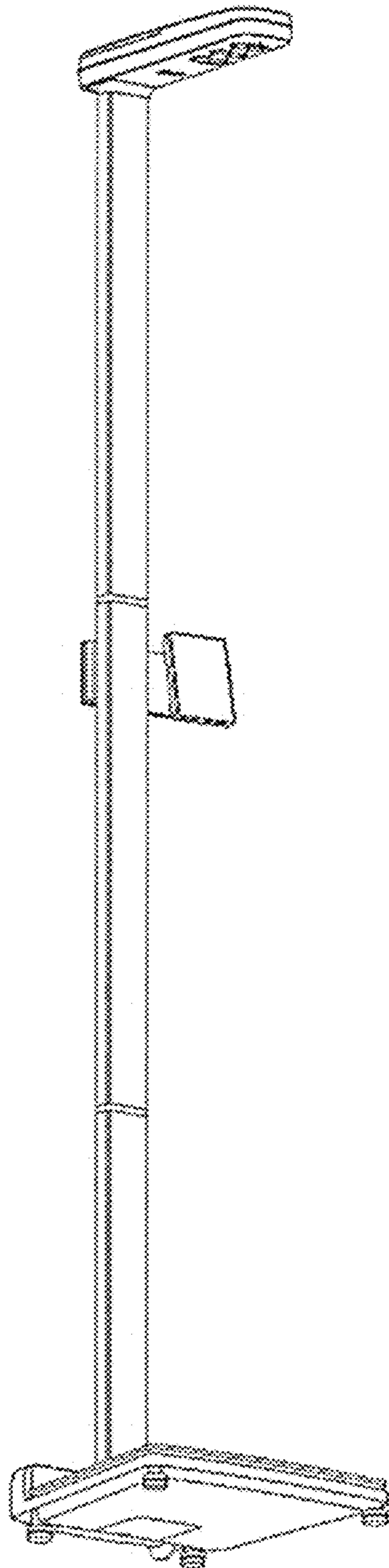
1.5



1.6



1.7



1.8

