



US00D783426S

(12) **United States Design Patent**
Ishii

(10) **Patent No.:** **US D783,426 S**
(45) **Date of Patent:** **** Apr. 11, 2017**

(54) **SURVEYING INSTRUMENT**

(71) Applicant: **KABUSHIKI KAISHA TOPCON**,
Tokyo (JP)

(72) Inventor: **Mitsuo Ishii**, Tokyo (JP)

(73) Assignee: **KABUSHIKI KAISHA TOPCON**,
Tokyo (JP)

(**) Term: **15 Years**

(21) Appl. No.: **29/547,255**

(22) Filed: **Dec. 2, 2015**

(30) **Foreign Application Priority Data**

Aug. 20, 2015 (JP) 2015-018277

(51) **LOC (10) Cl.** **10-04**

(52) **U.S. Cl.**
USPC **D10/66**

(58) **Field of Classification Search**
USPC D10/66
CPC ... G01C 1/00; G01C 1/02; G01C 1/04; G01C
1/06; G01C 1/08; G01C 1/10; G01C
1/12; G01C 1/14
See application file for complete search history.

(56) **References Cited**

U.S. PATENT DOCUMENTS

D252,918 S * 9/1979 Kooi D10/66
D268,910 S * 5/1983 Shipp D10/66

D333,276 S * 2/1993 Donn D10/66
6,643,940 B1 * 11/2003 Donath G01C 1/02
33/290
D669,374 S 10/2012 Ishii

* cited by examiner

Primary Examiner — Antoine D Davis

(74) *Attorney, Agent, or Firm* — Oliff PLC

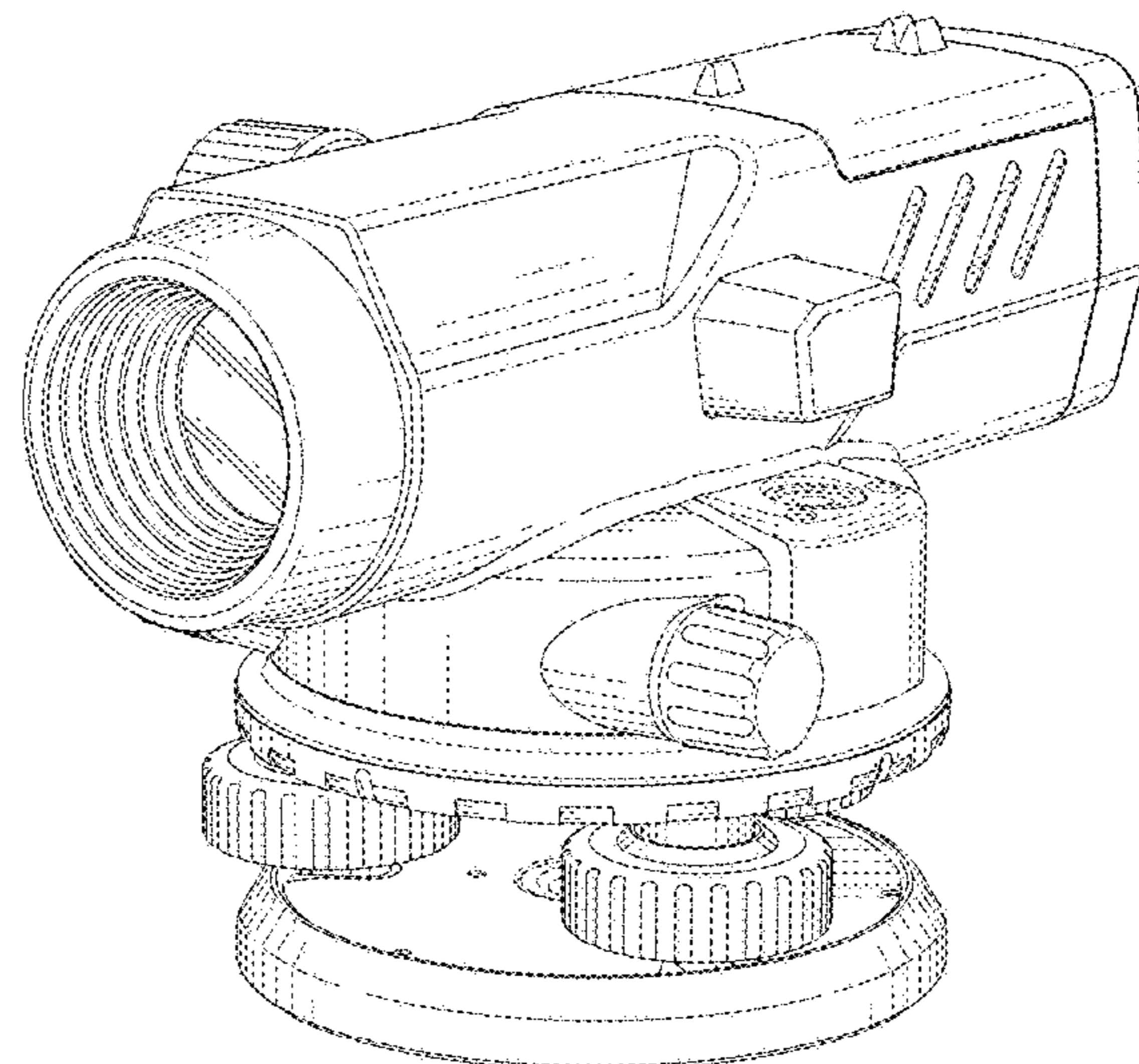
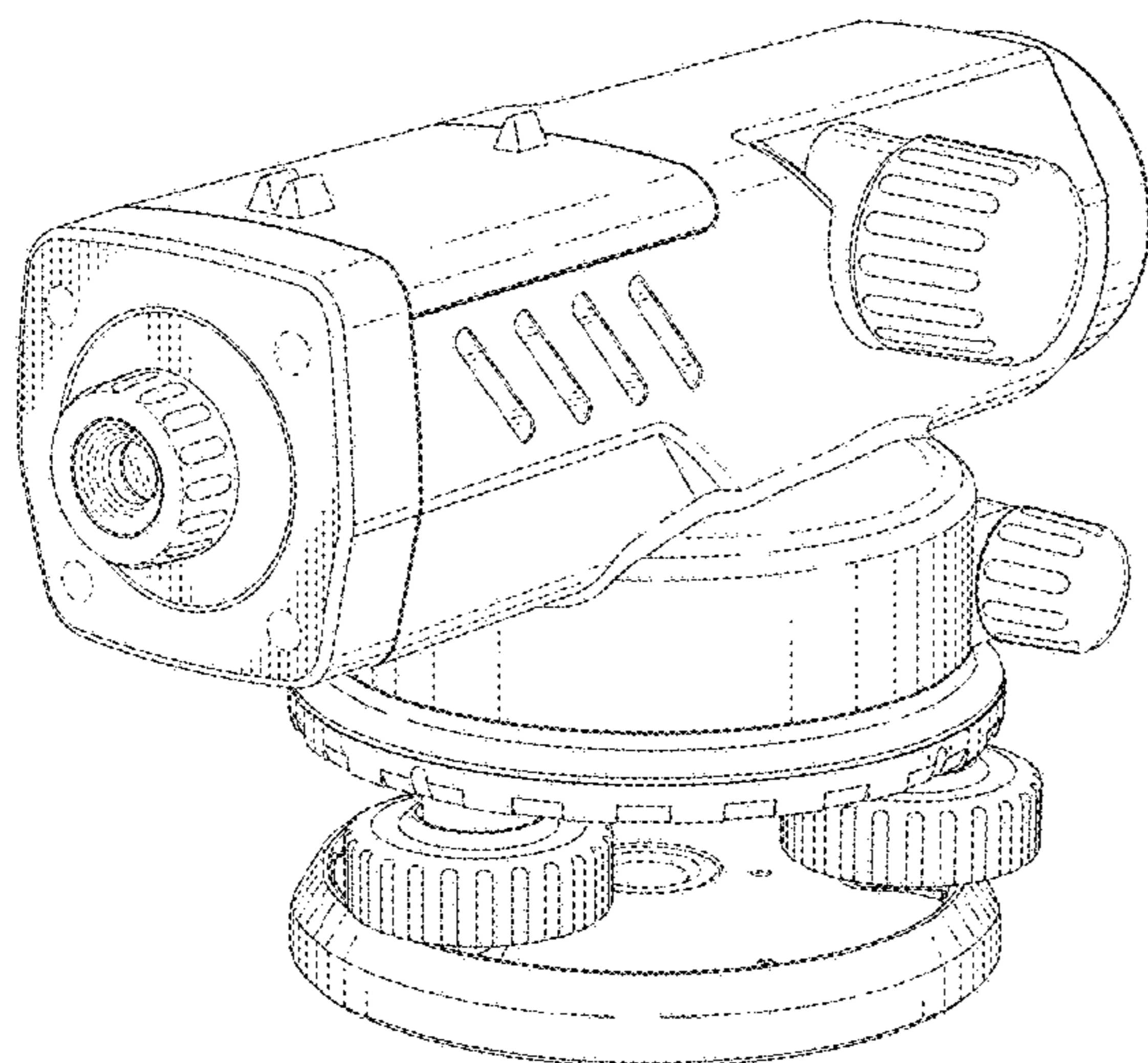
(57) **CLAIM**

The ornamental design for a surveying instrument, as shown and described.

DESCRIPTION

FIG. 1 is a front, right-side, top perspective view of the surveying instrument;
FIG. 2 is a rear, left-side, top perspective view thereof;
FIG. 3 is a front elevational view thereof;
FIG. 4 is a top plan view thereof;
FIG. 5 is a right-side elevational view thereof;
FIG. 6 is a left-side elevational view thereof;
FIG. 7 is a rear elevational view thereof; and,
FIG. 8 is a bottom plan view thereof.
The broken lines depict environmental subject matter only and form no part of the claimed design.

1 Claim, 8 Drawing Sheets



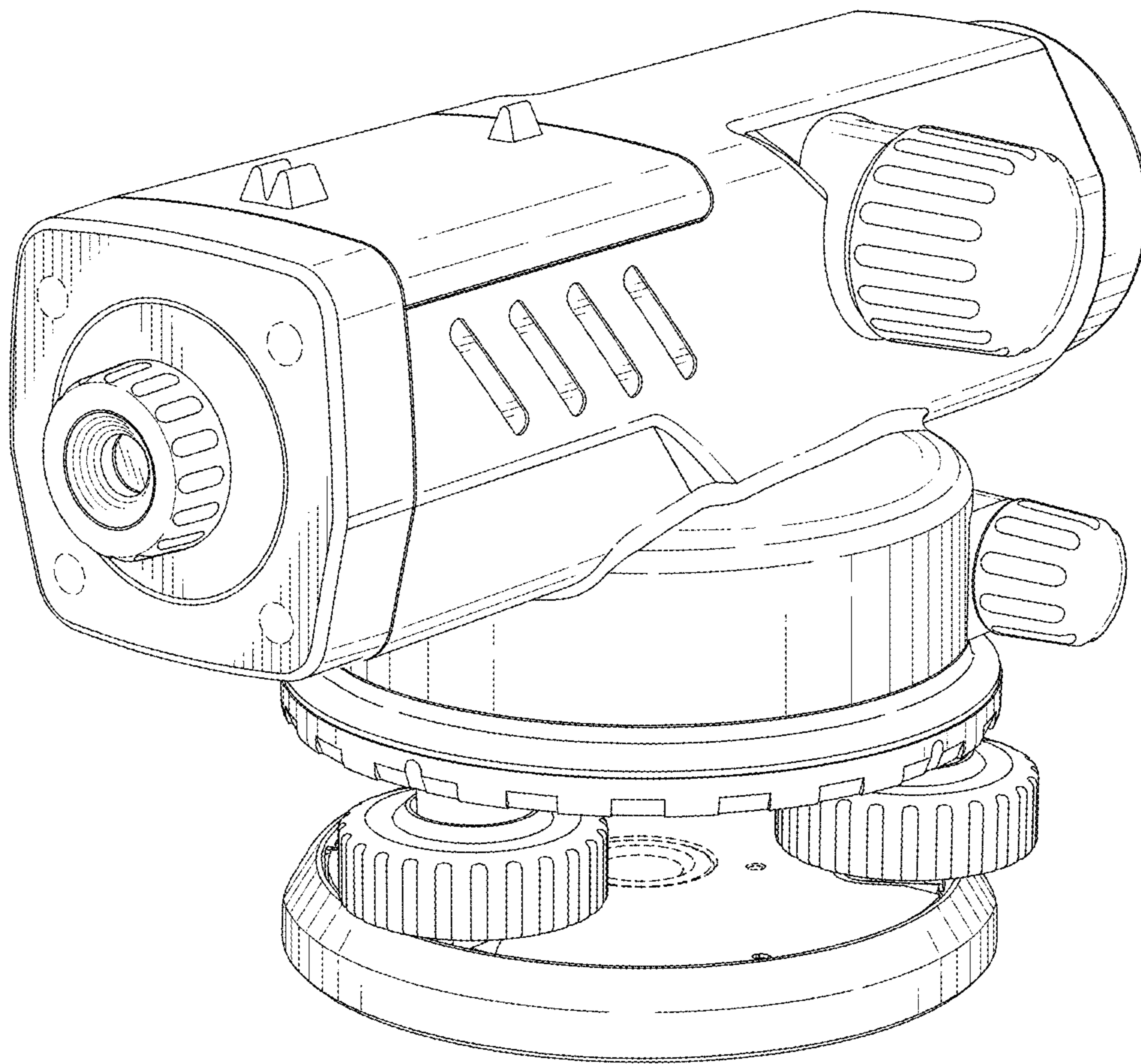


FIG. 1

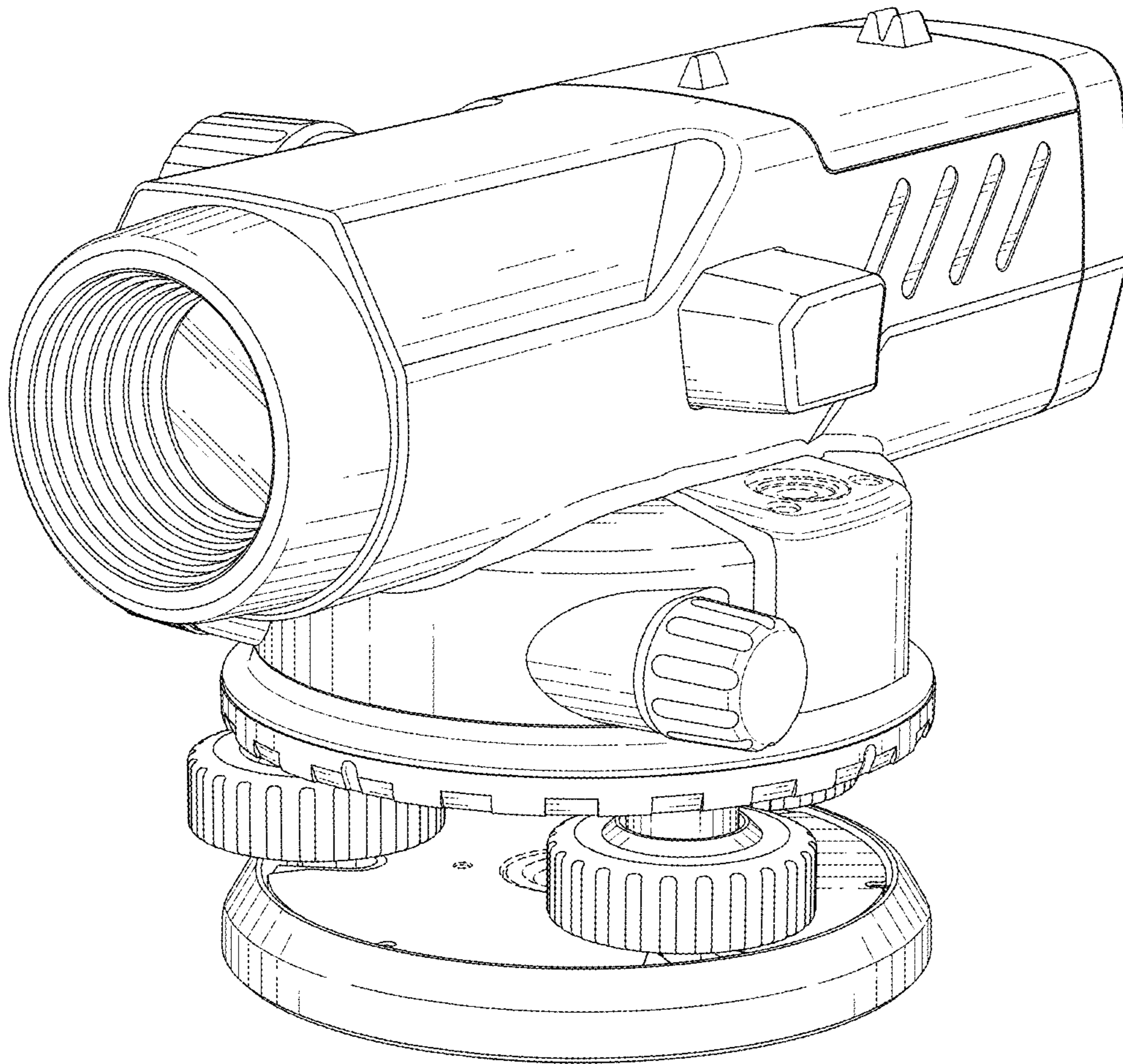


FIG. 2

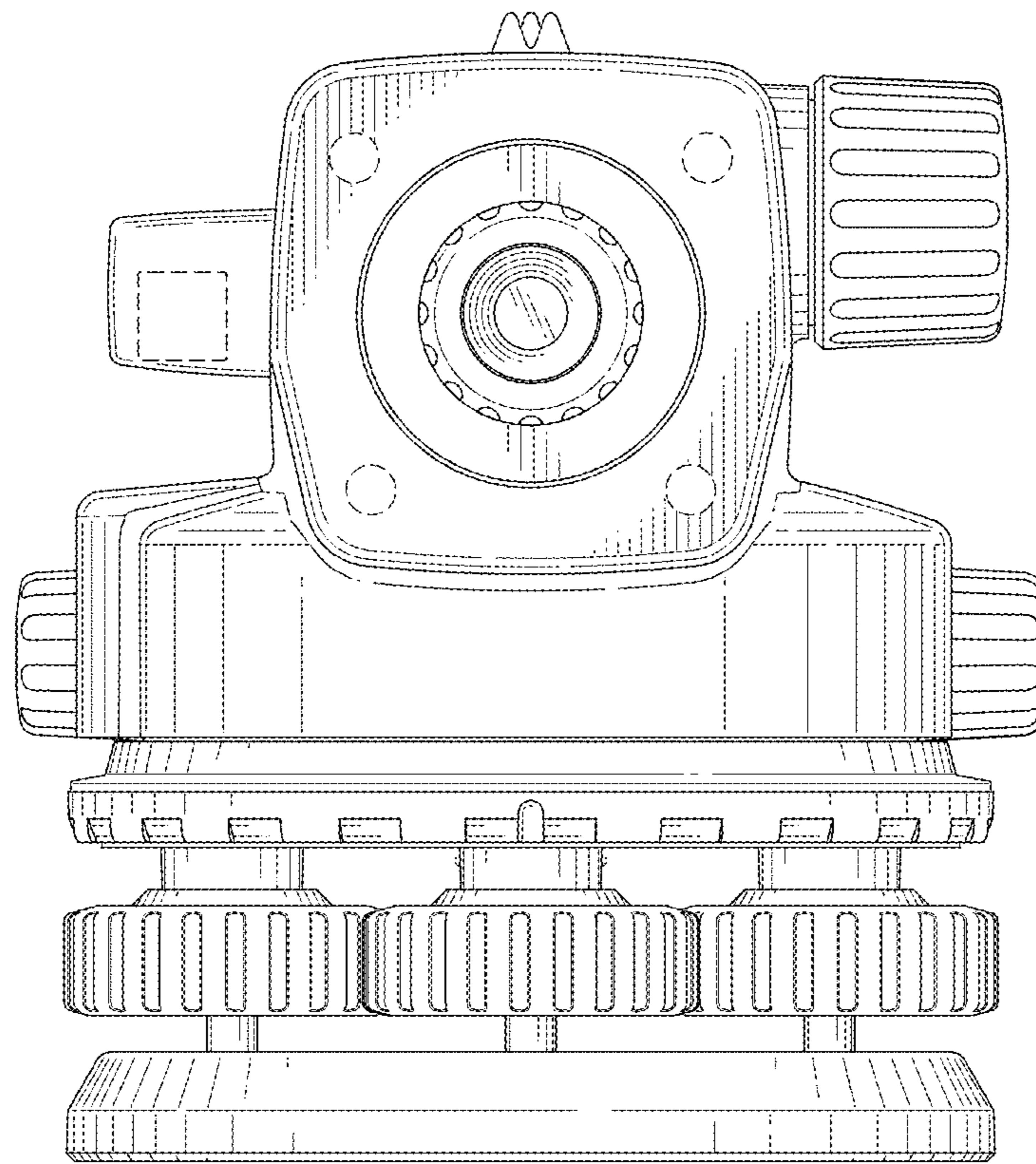


FIG. 3

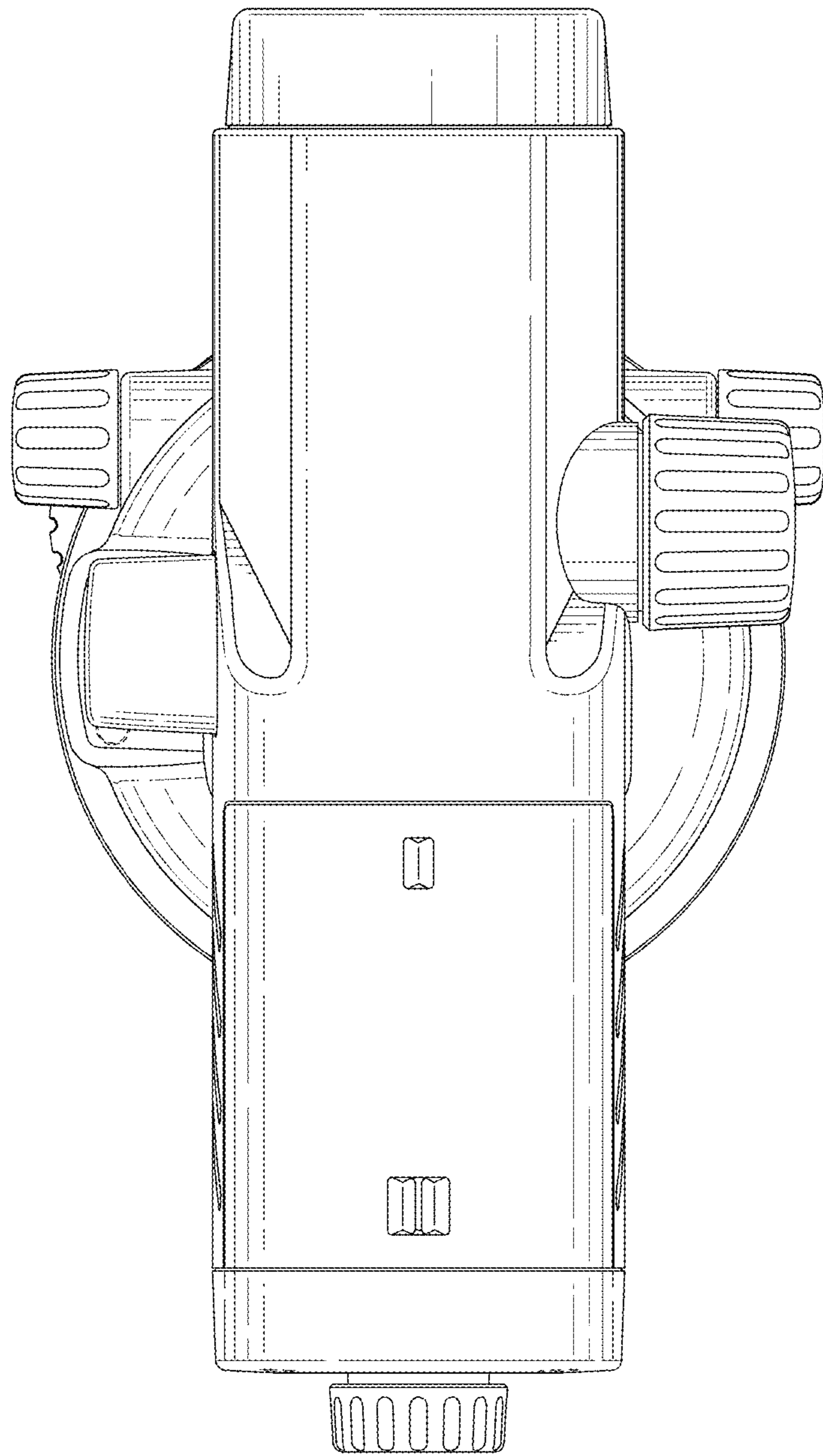


FIG. 4

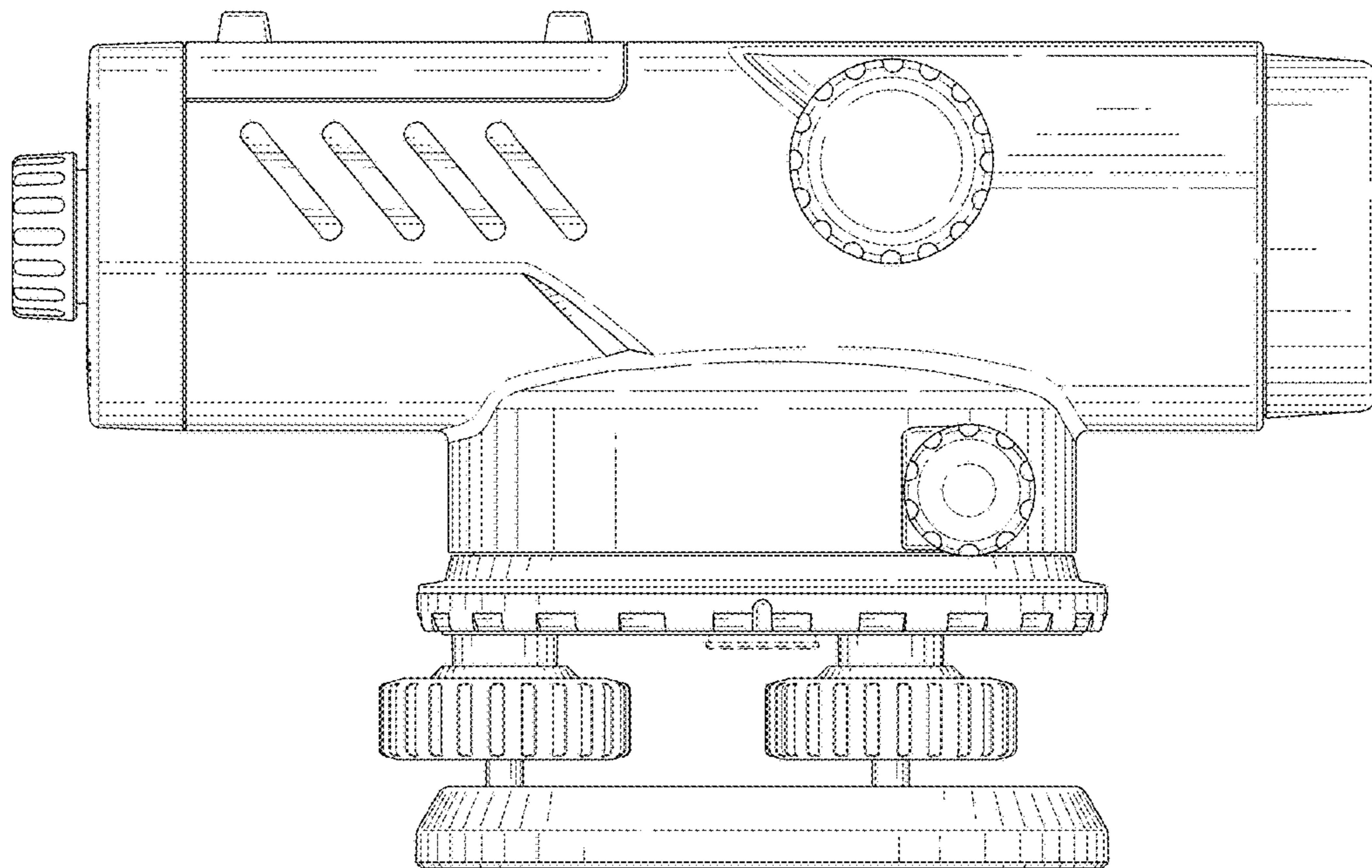


FIG. 5

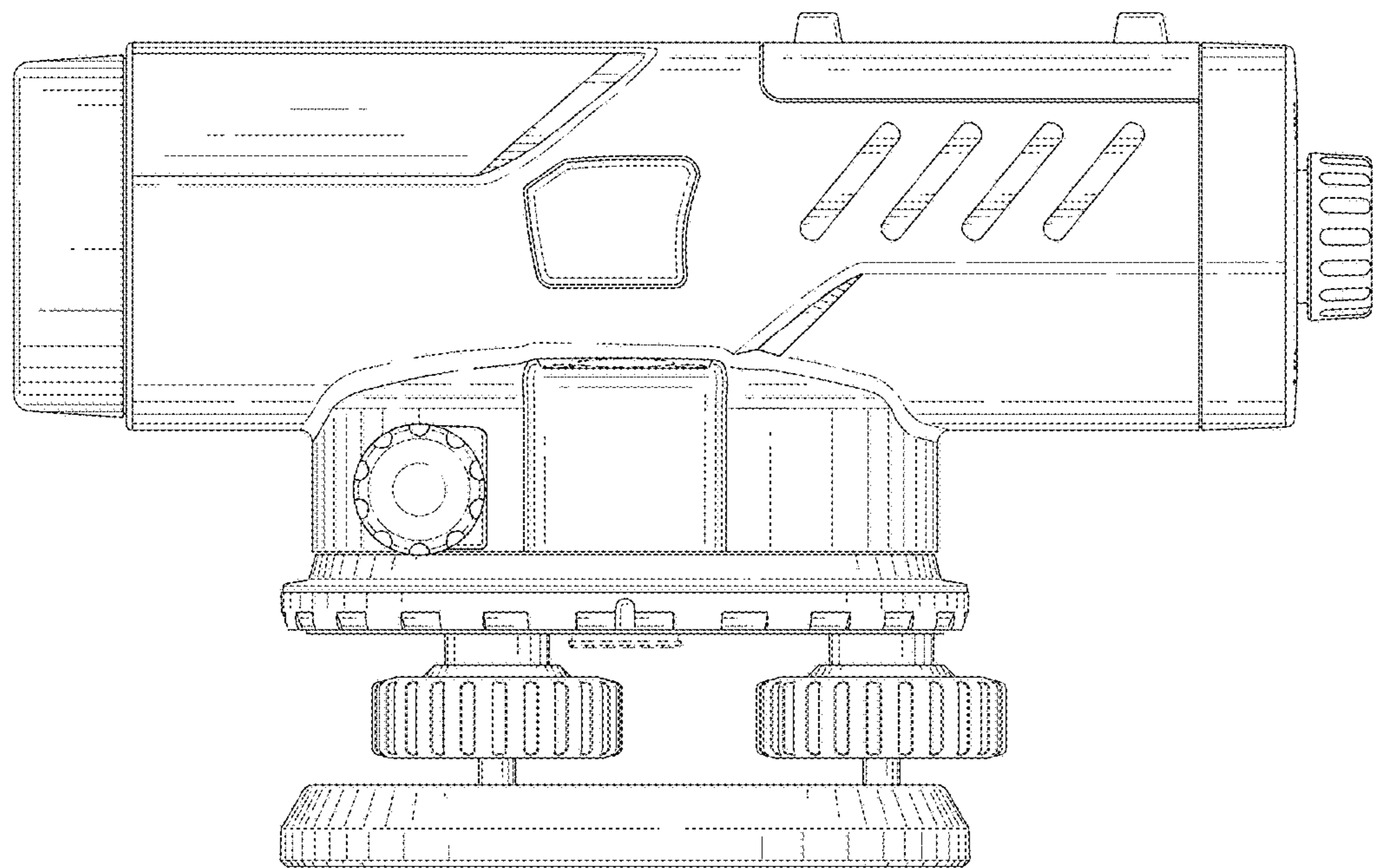


FIG. 6

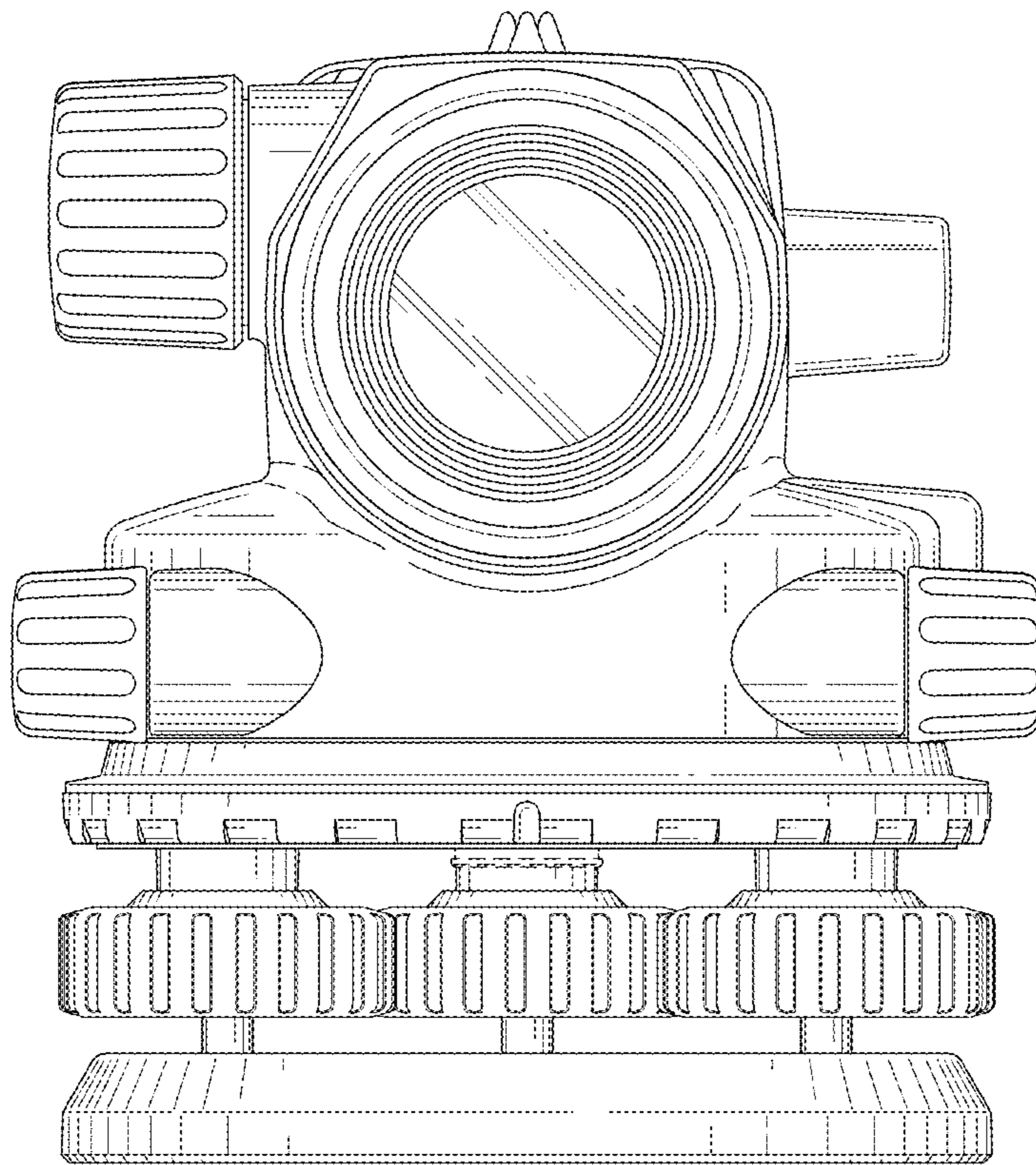


FIG. 7

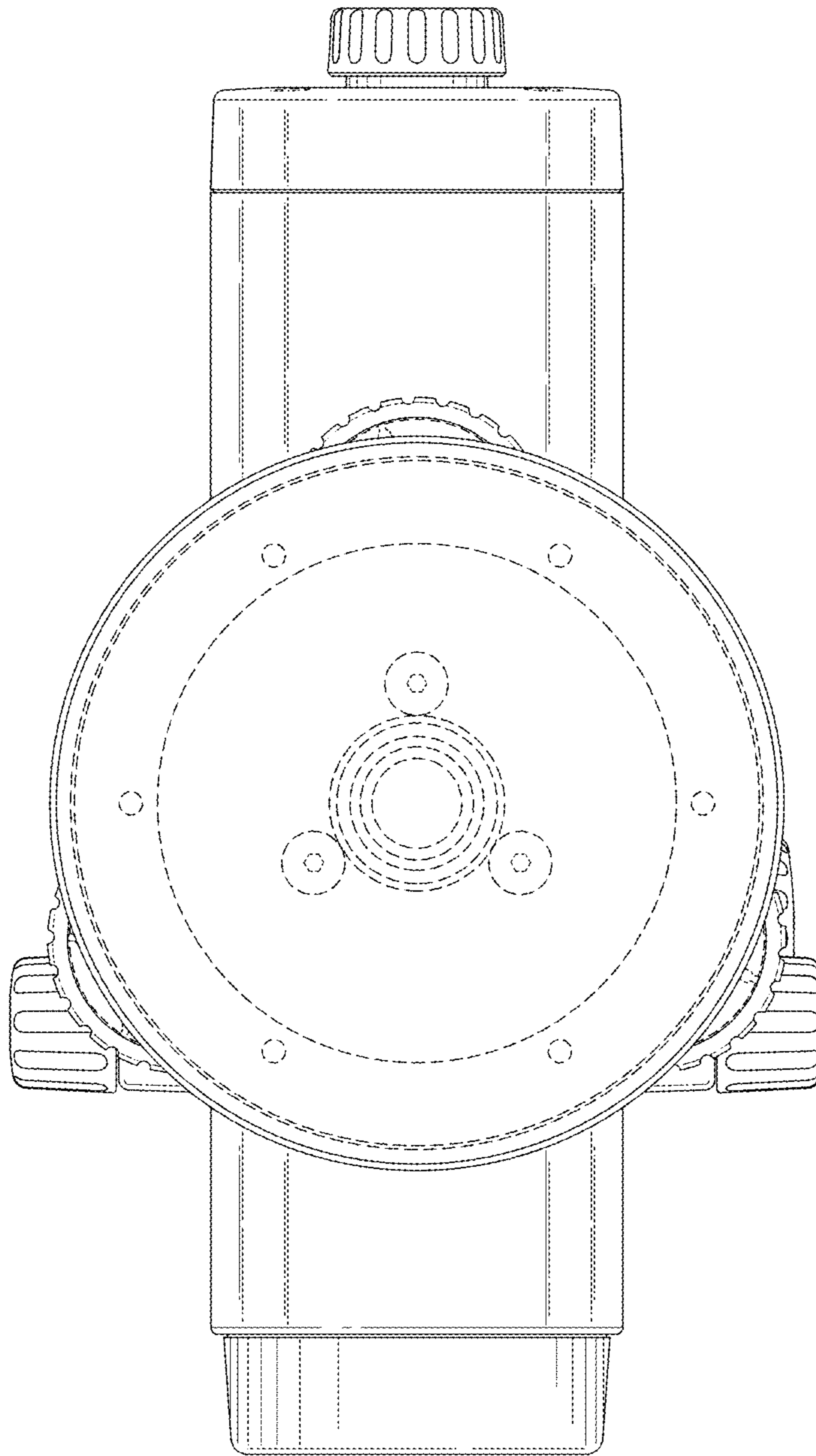


FIG. 8