



US00D783425S

(12) **United States Design Patent**
Rothbucher

(10) **Patent No.:** **US D783,425 S**

(45) **Date of Patent:** **** Apr. 11, 2017**

(54) **SURVEYING INSTRUMENT**

(71) Applicant: **Georg Rothbucher**, Bayerisch Gmain (DE)

(72) Inventor: **Georg Rothbucher**, Bayerisch Gmain (DE)

(**) Term: **15 Years**

(21) Appl. No.: **29/545,336**

(22) Filed: **Nov. 12, 2015**

(30) **Foreign Application Priority Data**

May 21, 2015 (EM) 002704577

(51) **LOC (10) Cl.** **10-04**

(52) **U.S. Cl.**
USPC **D10/66**

(58) **Field of Classification Search**
USPC D10/66
CPC G01C 15/00; G01C 15/002; G01C 15/004;
G01C 15/006; G01C 15/008; G01C
15/02; G01C 15/04; G01C 15/06; G01C
15/08; G01C 15/10; G01C 15/105; G01C
15/12; G01C 15/14

See application file for complete search history.

(56) **References Cited**

U.S. PATENT DOCUMENTS

D283,494 S * 4/1986 Simmons D10/65
D395,608 S * 6/1998 Truax D10/66
D414,708 S * 10/1999 Swartz D10/66

6,683,693 B1 * 1/2004 O Tsuka G01C 15/02
356/620
D531,071 S * 10/2006 Truax D10/66
9,291,454 B2 * 3/2016 Rothbucher G01C 15/06

* cited by examiner

Primary Examiner — Antoine D Davis

(74) *Attorney, Agent, or Firm* — McCormick, Paulding & Huber LLP

(57) **CLAIM**

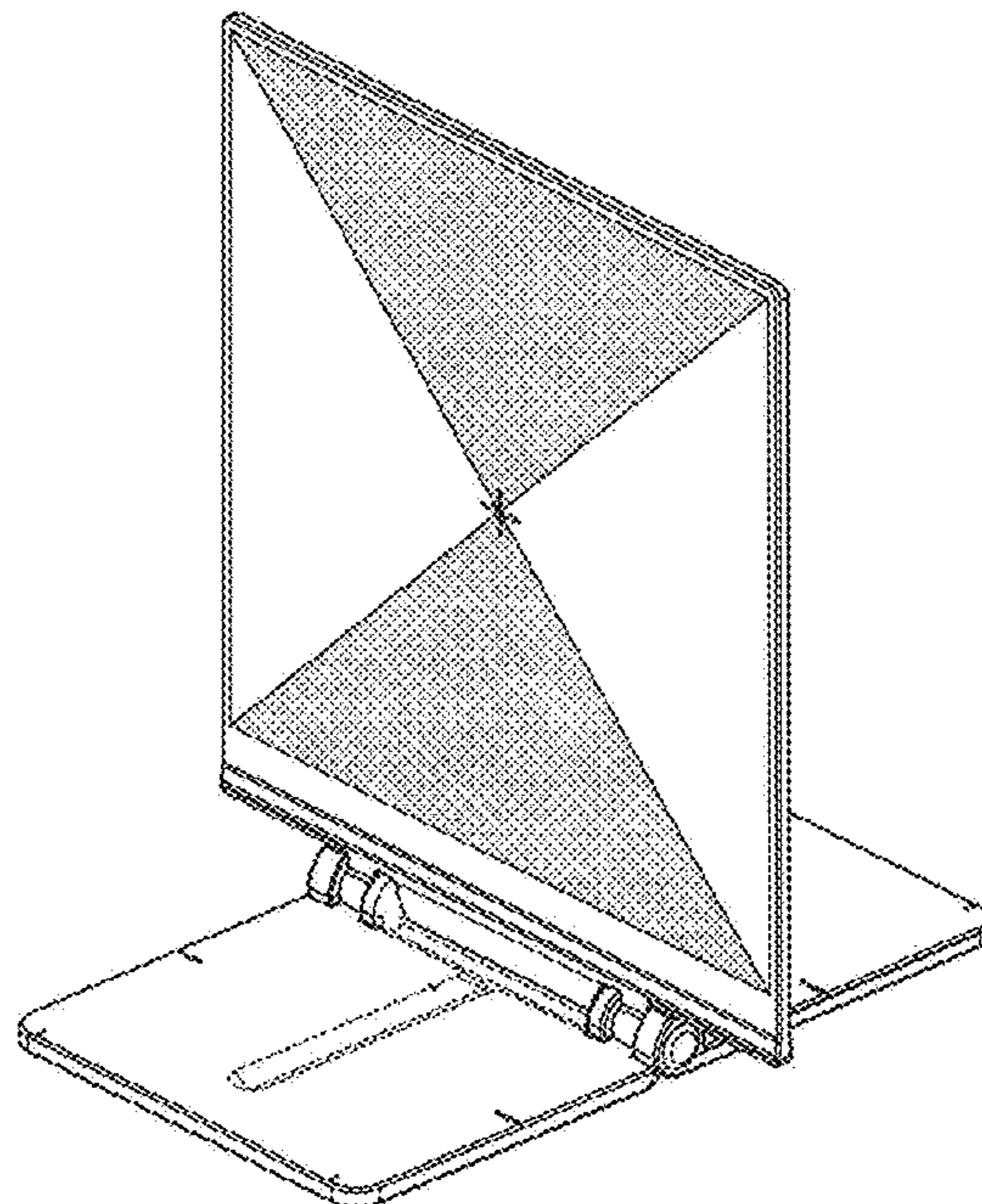
The ornamental design for surveying instrument, substantially as shown.

DESCRIPTION

FIG. 1 is a front, right-hand side perspective view of a surveying instrument;
FIG. 2 is a front view thereof;
FIG. 3 is a rear view thereof;
FIG. 4 is a right-hand side view thereof;
FIG. 5 is a left-hand side view thereof;
FIG. 6 is a top view thereof;
FIG. 7 is a bottom view thereof;
FIG. 8 is a front, right-hand side perspective view of a surveying instrument in accordance with another embodiment;
FIG. 9 is a front view thereof;
FIG. 10 is a rear view thereof;
FIG. 11 is a right-hand side view thereof;
FIG. 12 is a left-hand side view thereof;
FIG. 13 is a top view thereof; and,
FIG. 14 is a bottom view thereof.

The broken line showing of structural features is included for the purpose of illustrating non-claimed subject matter and forms no part of the claimed design.

1 Claim, 14 Drawing Sheets



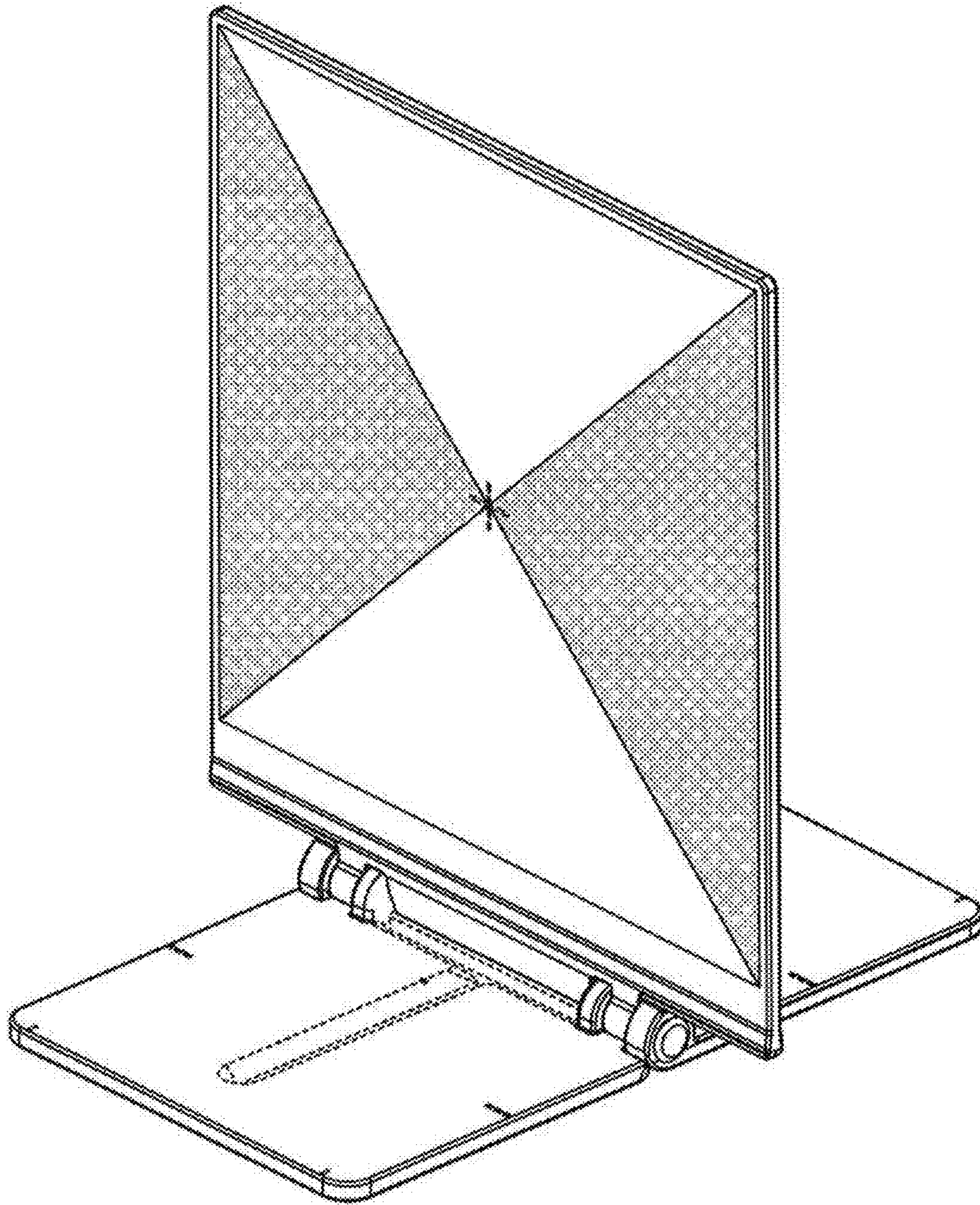


FIG. 1

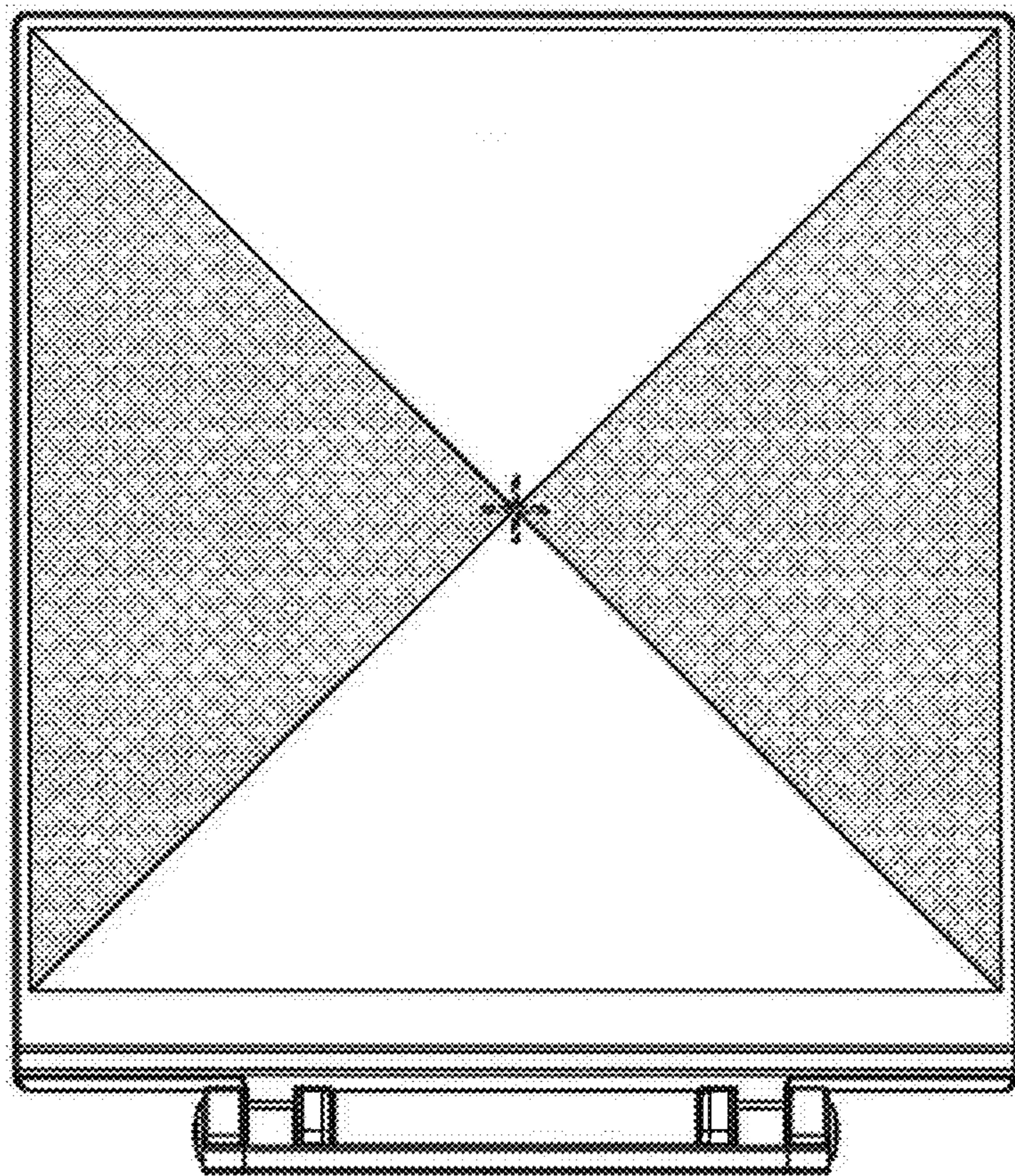


FIG. 2

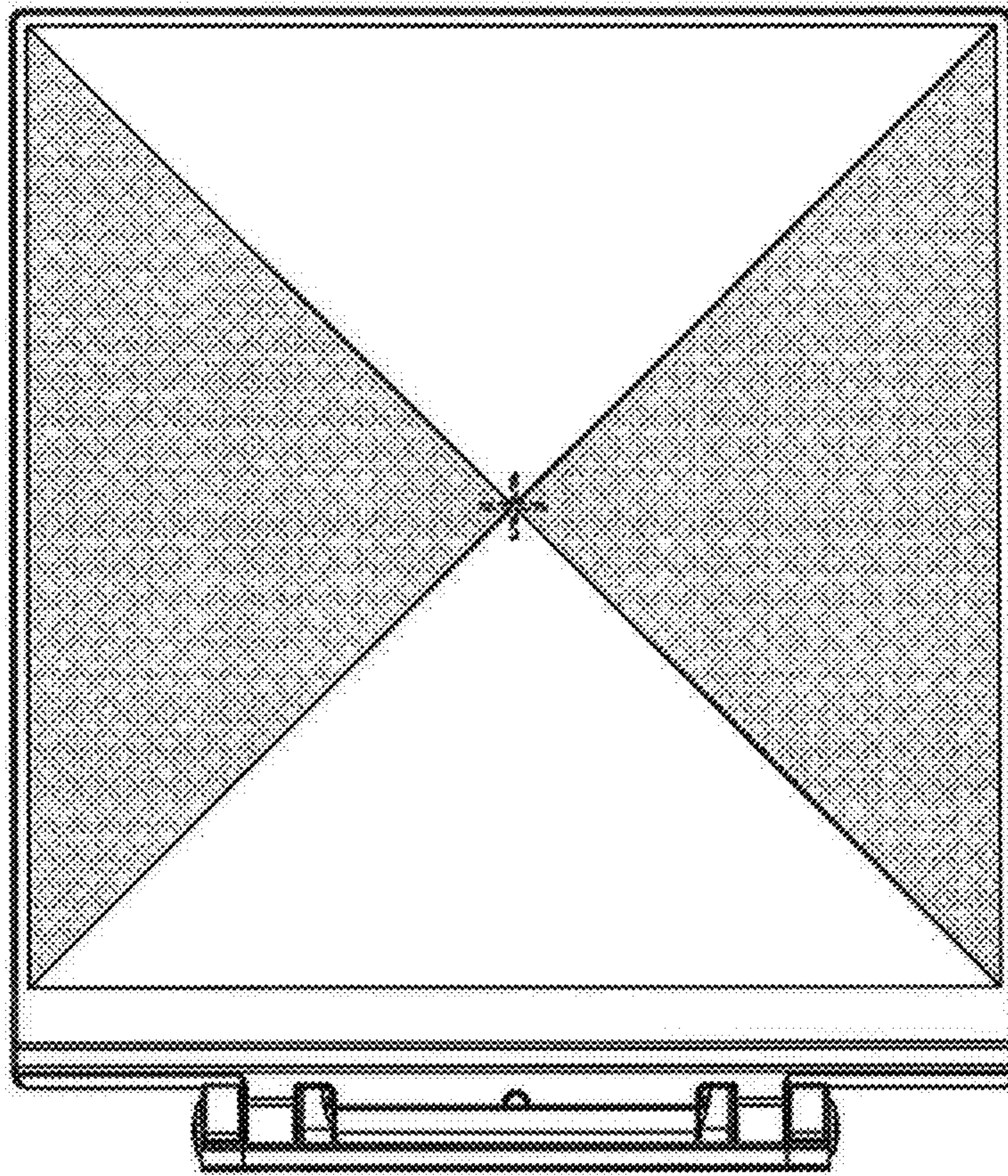


FIG. 3

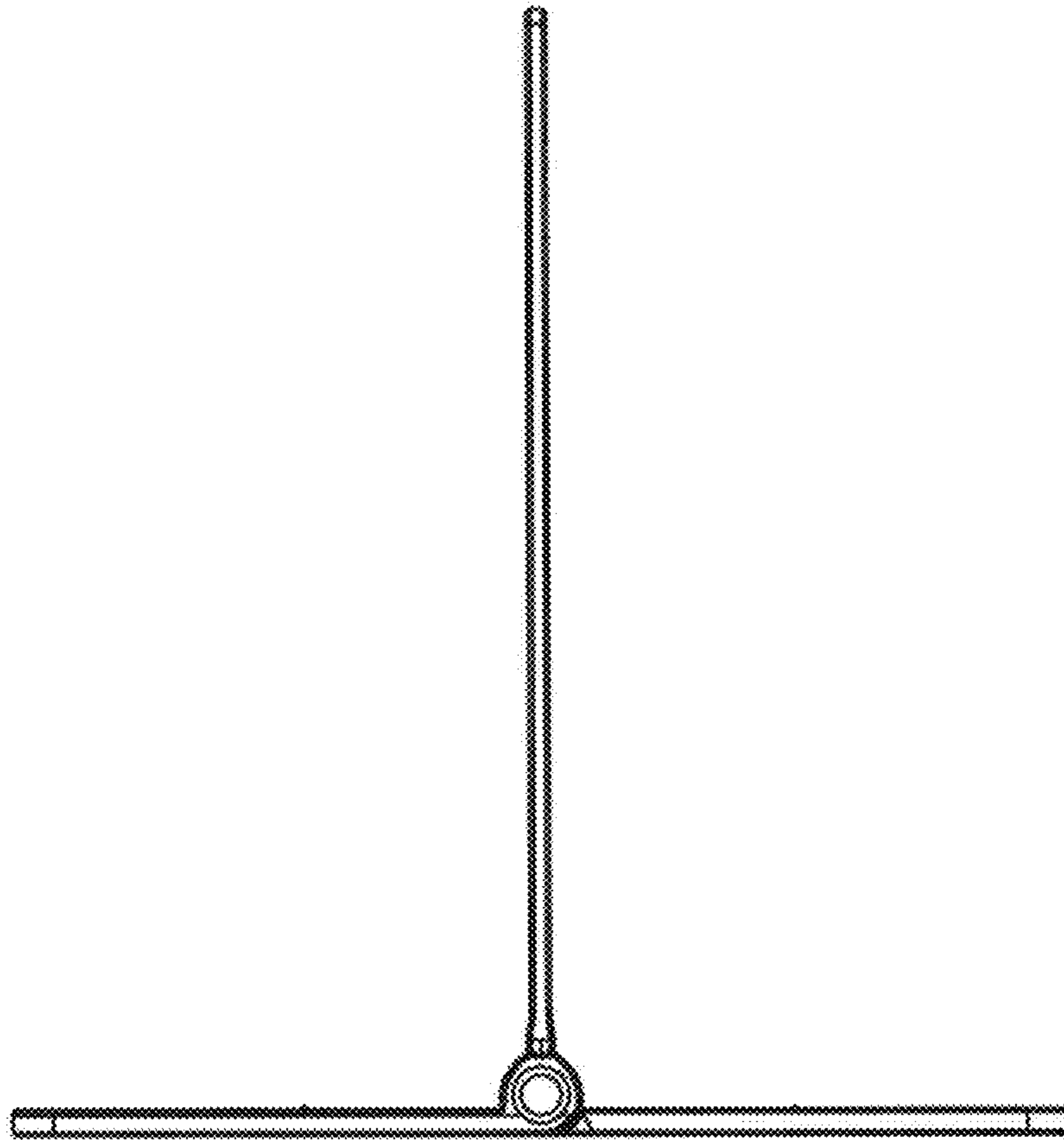


FIG. 4

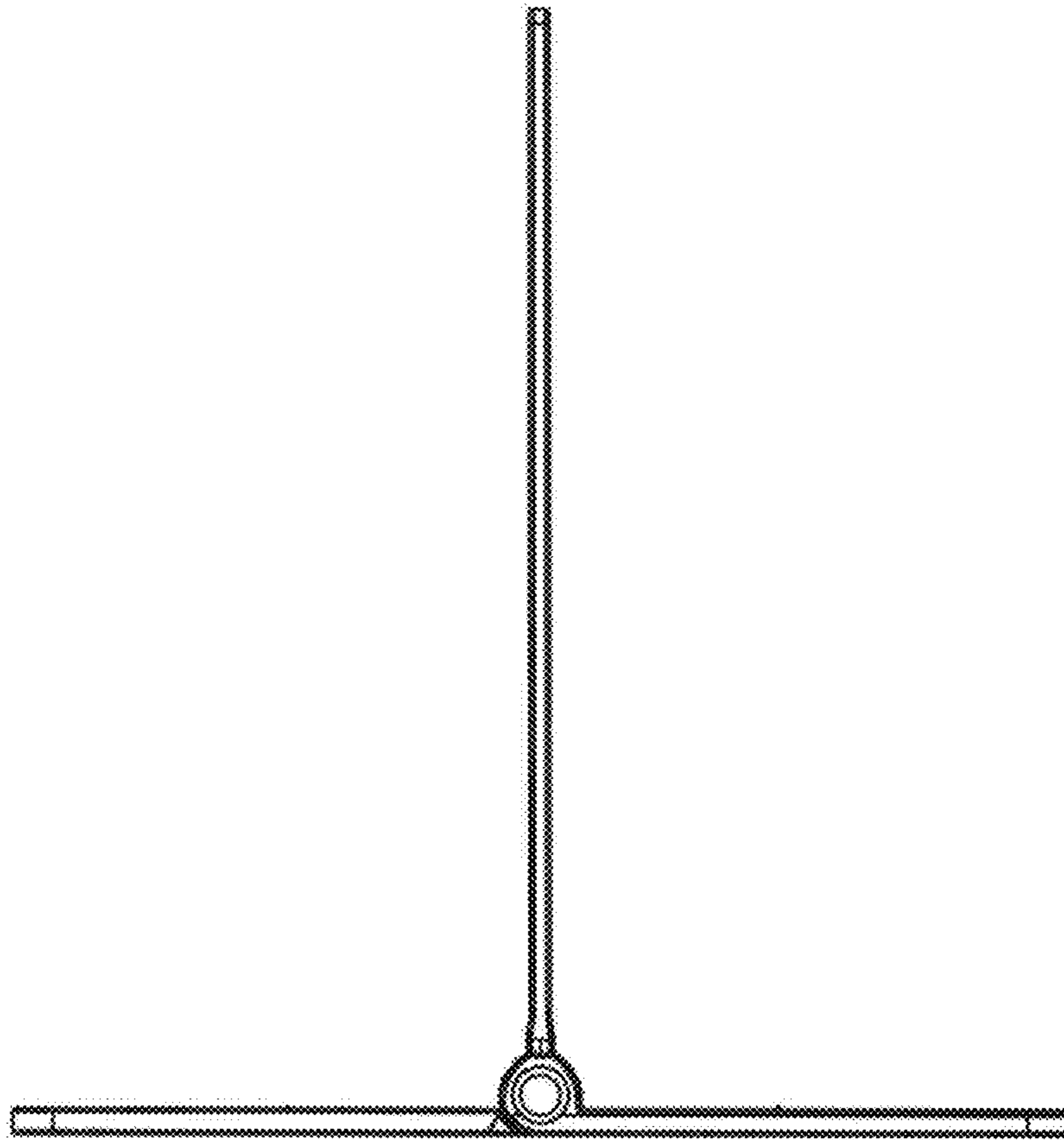


FIG. 5

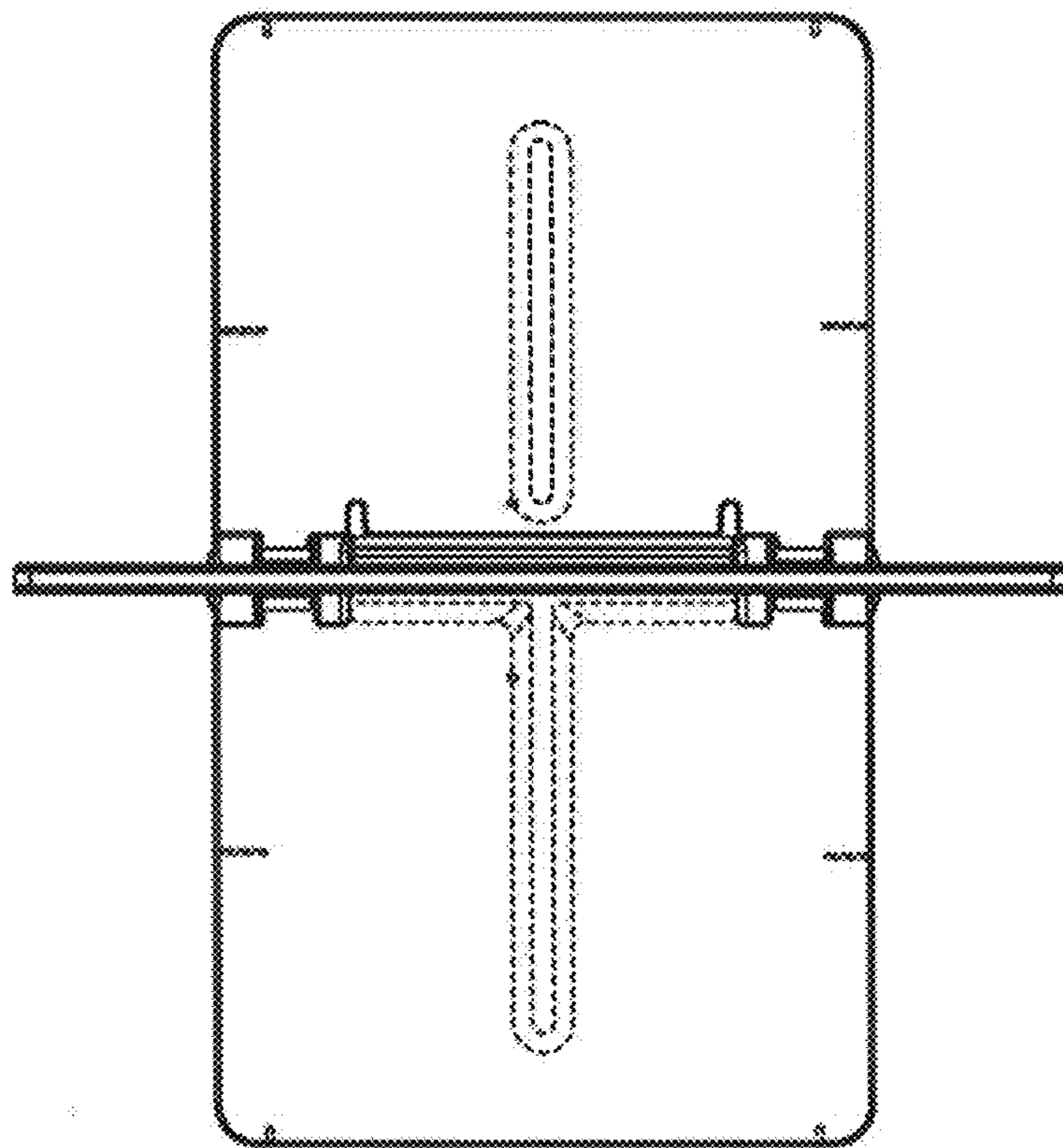


FIG. 6

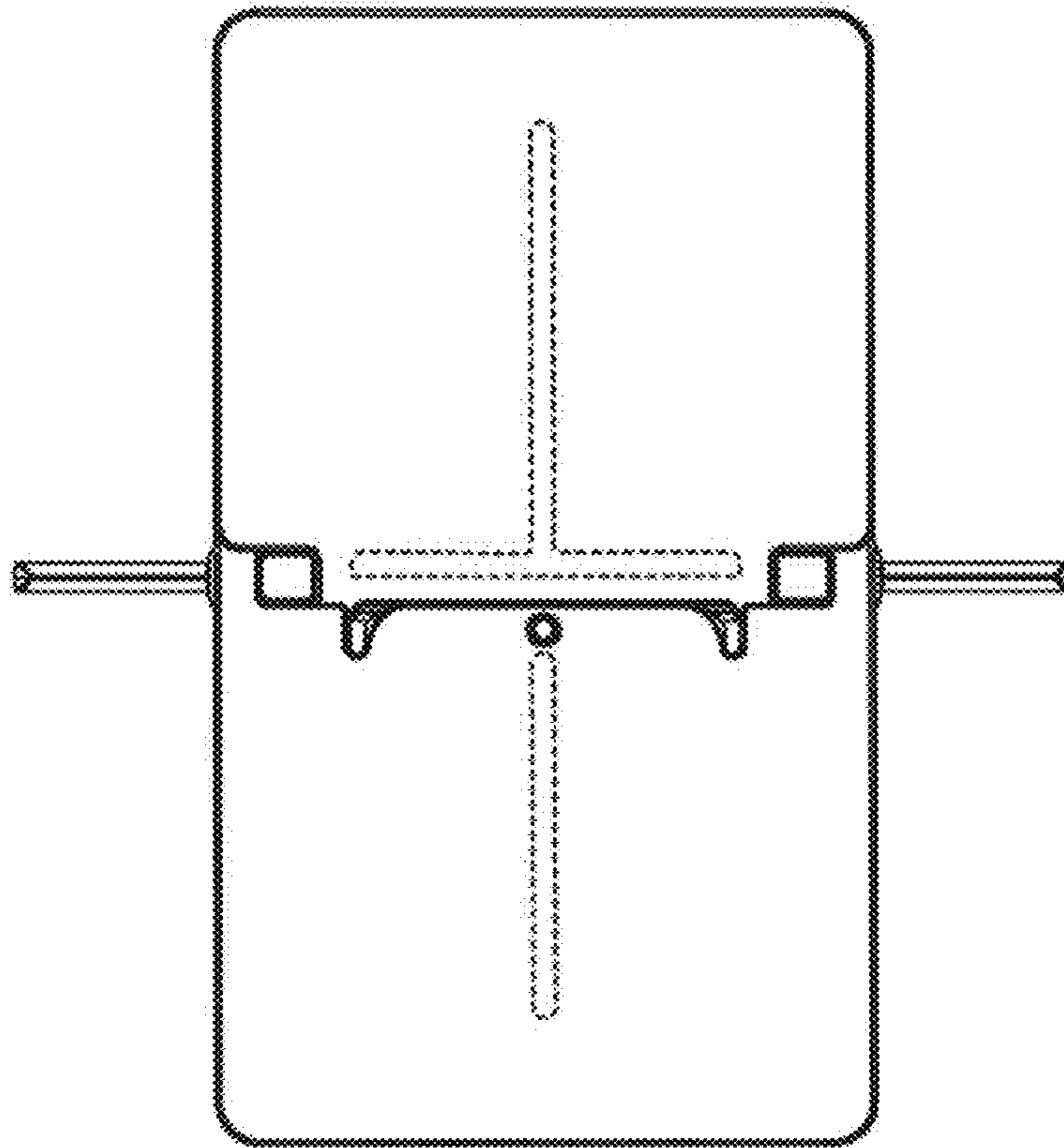


FIG. 7

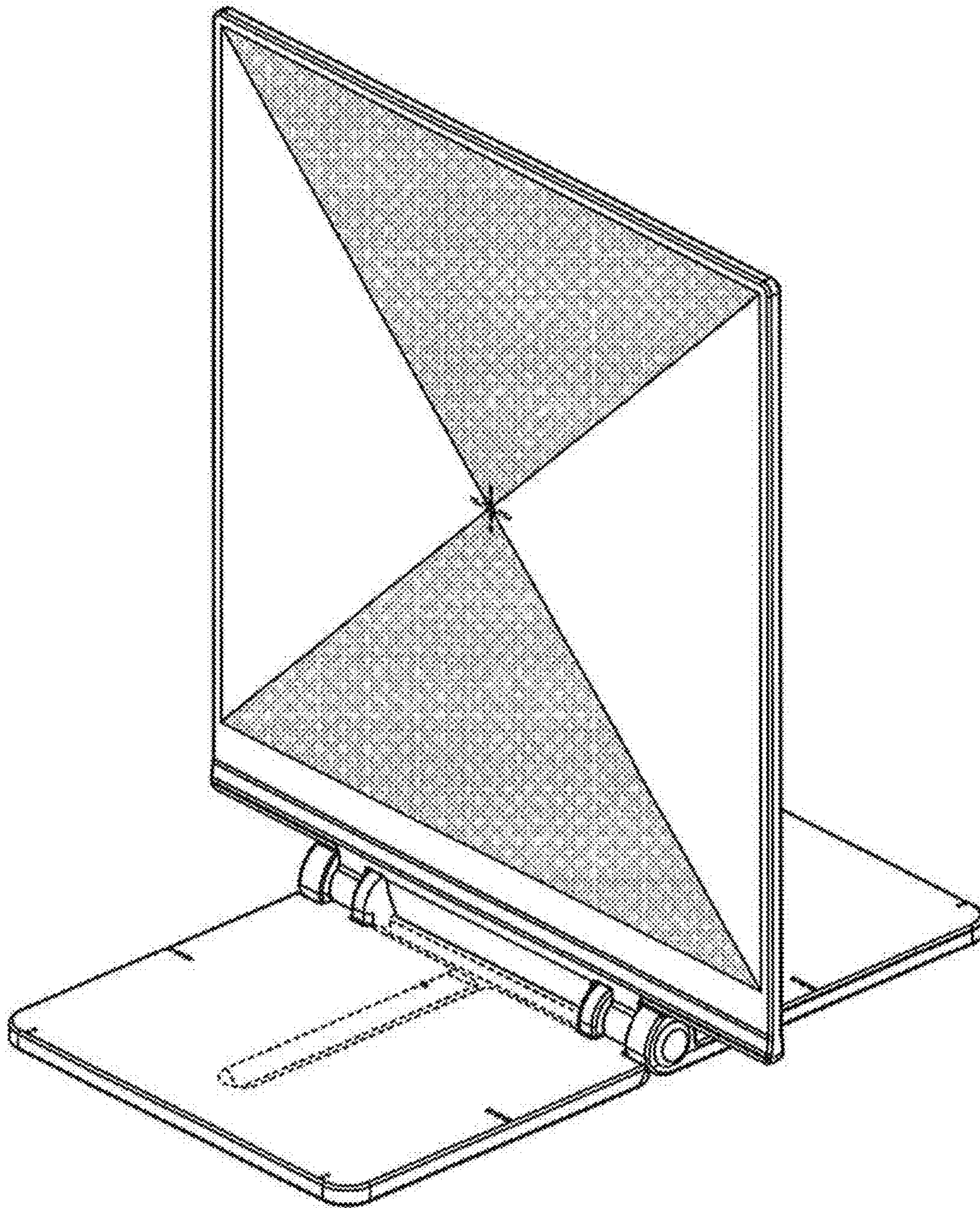


FIG. 8

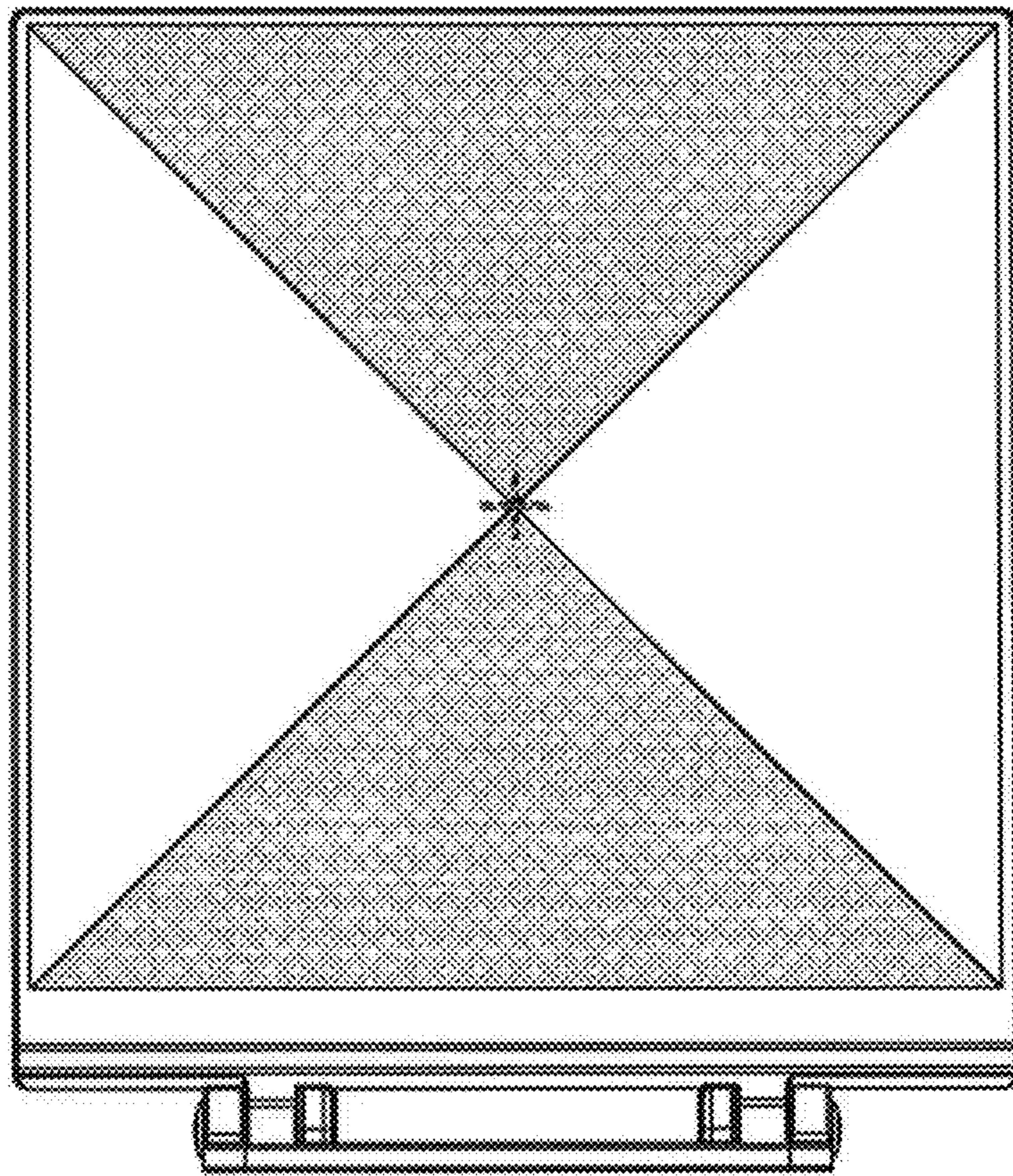


FIG. 9

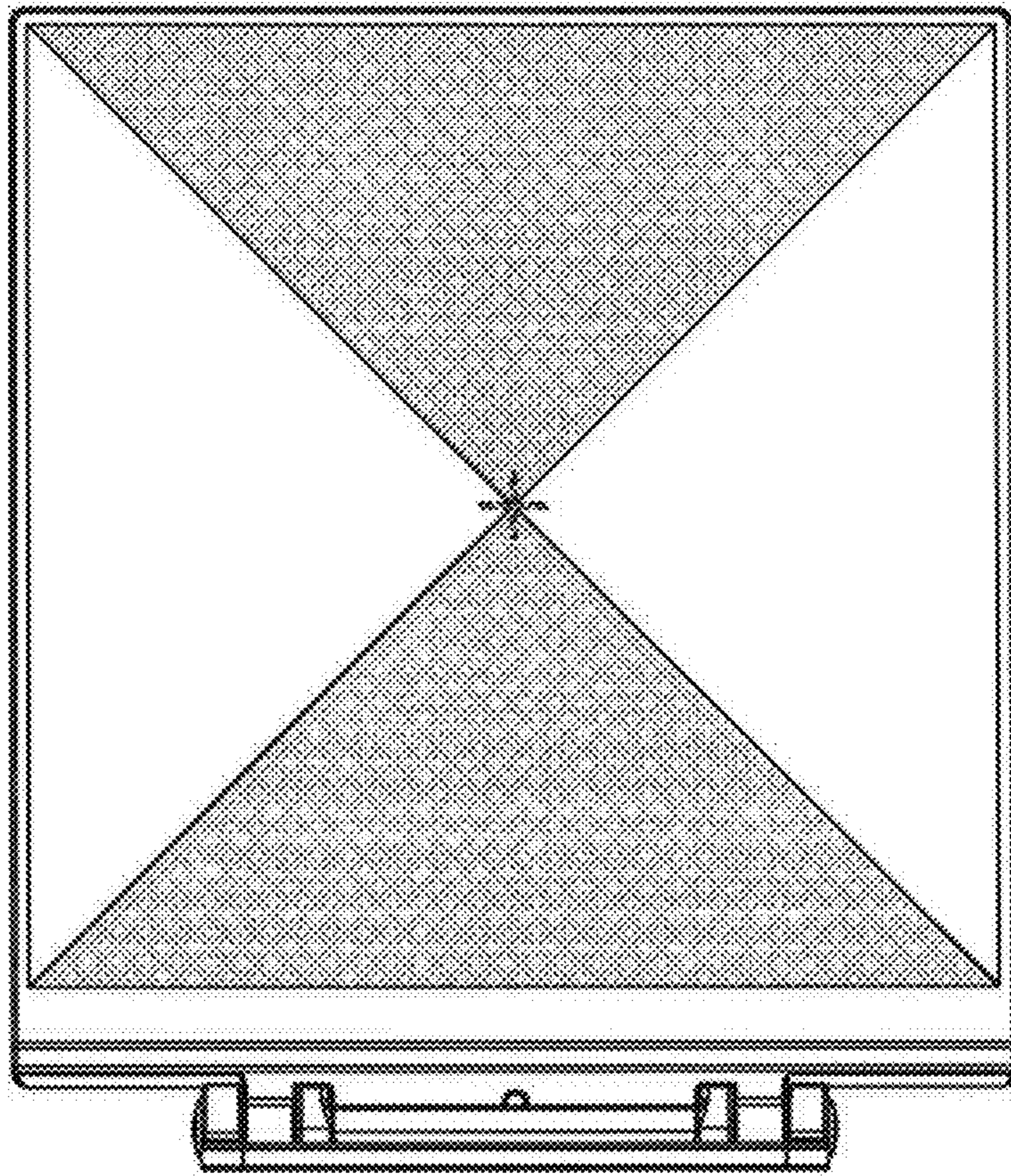


FIG. 10

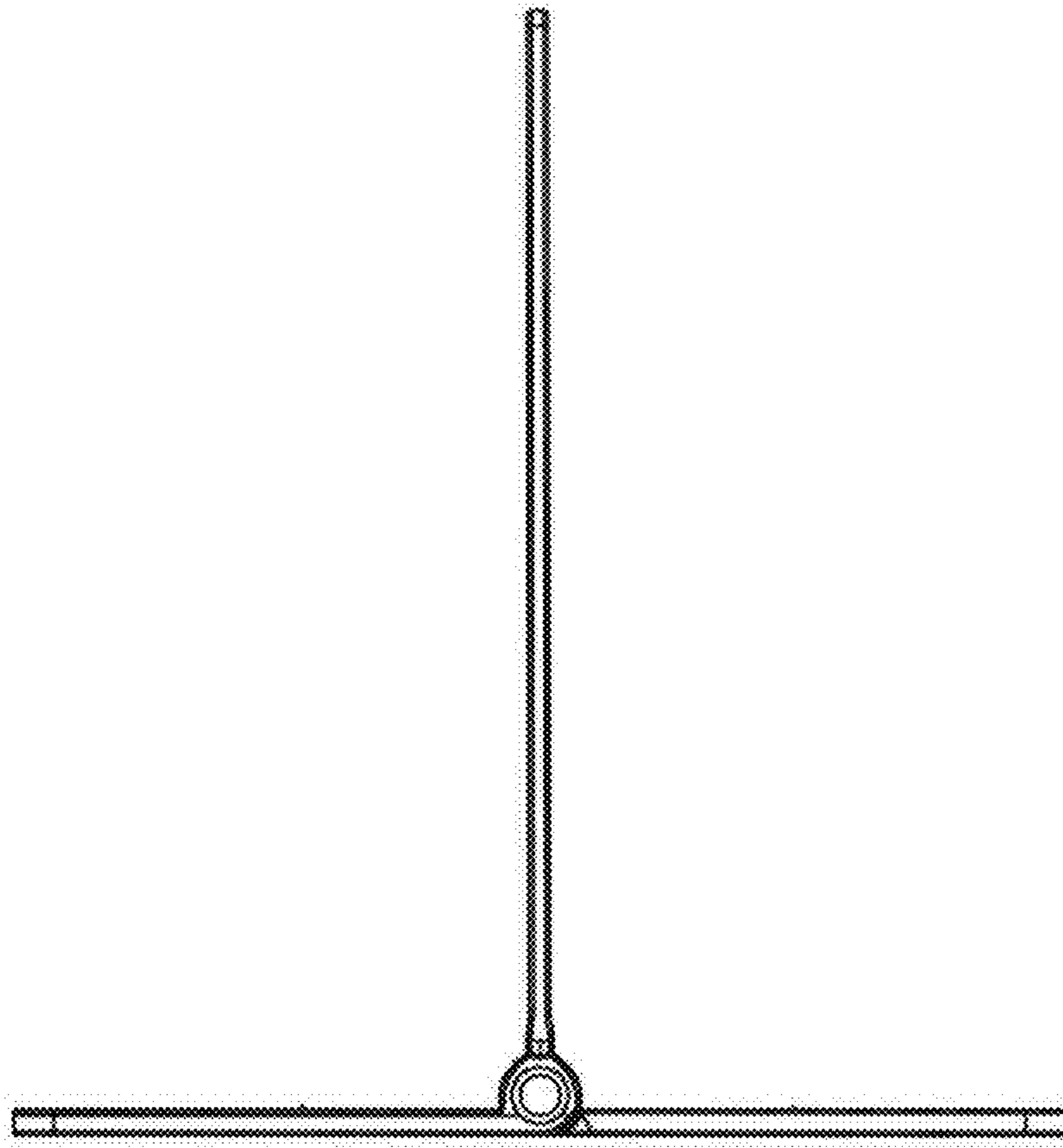


FIG. 11

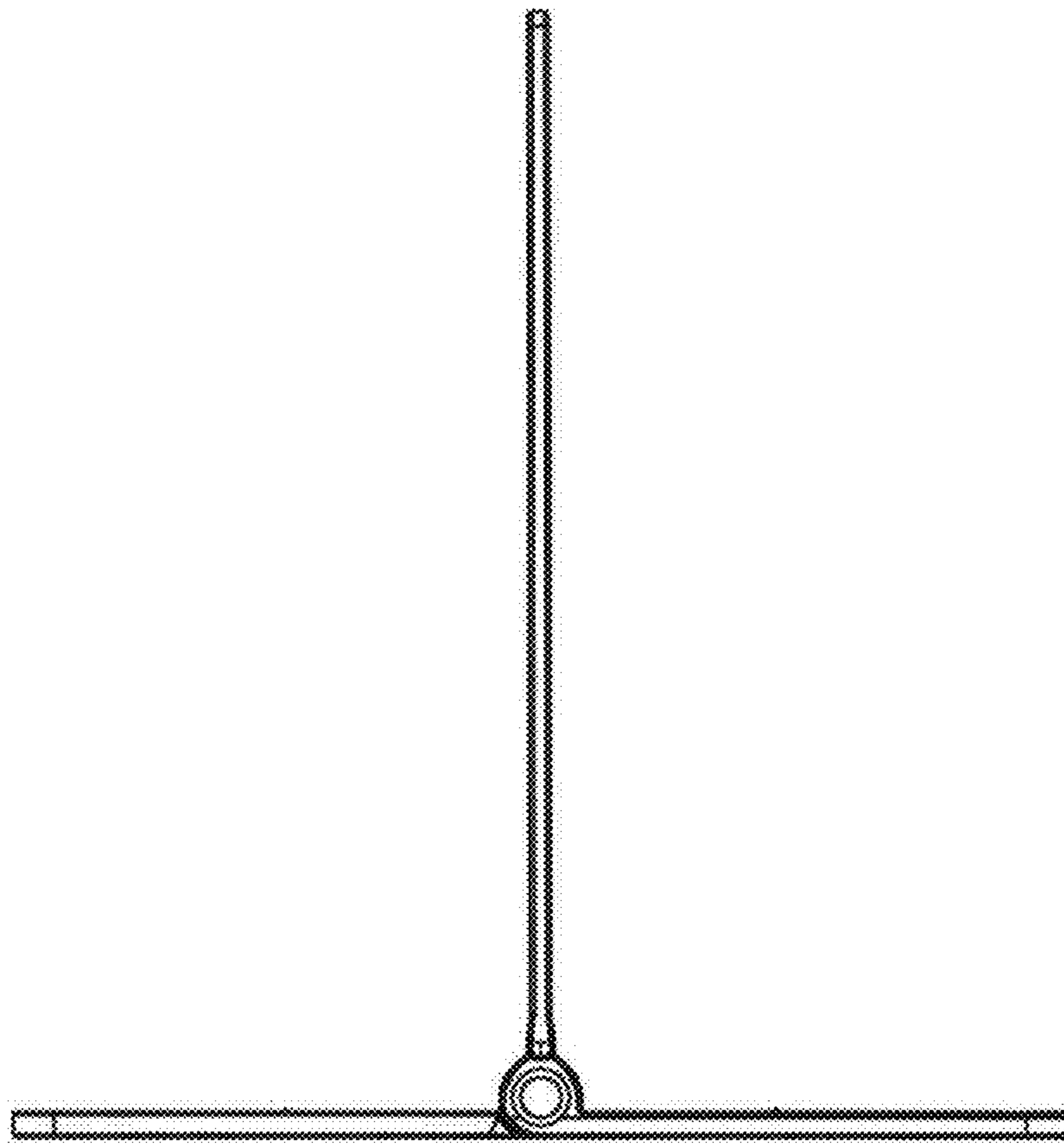


FIG. 12

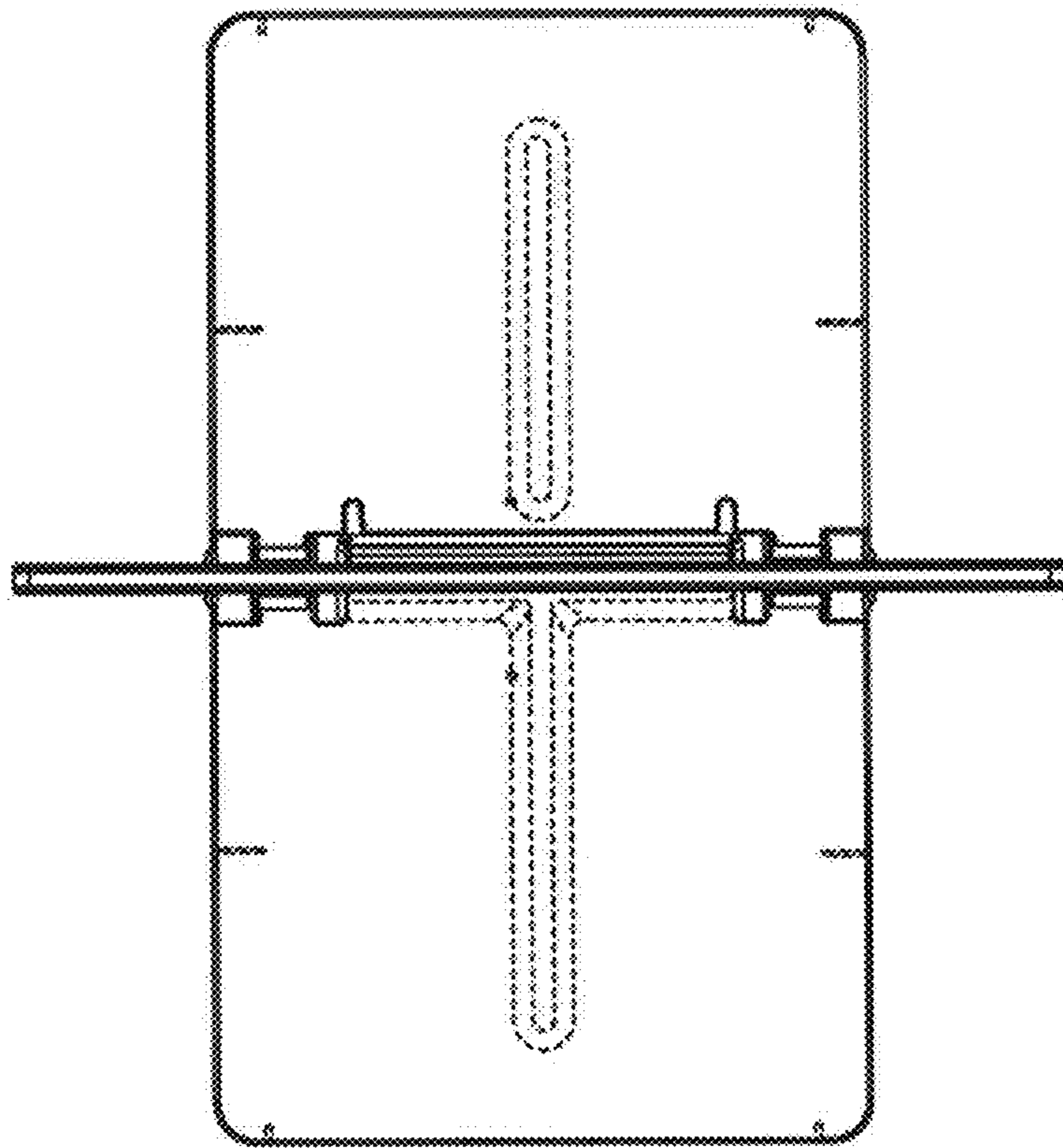


FIG. 13

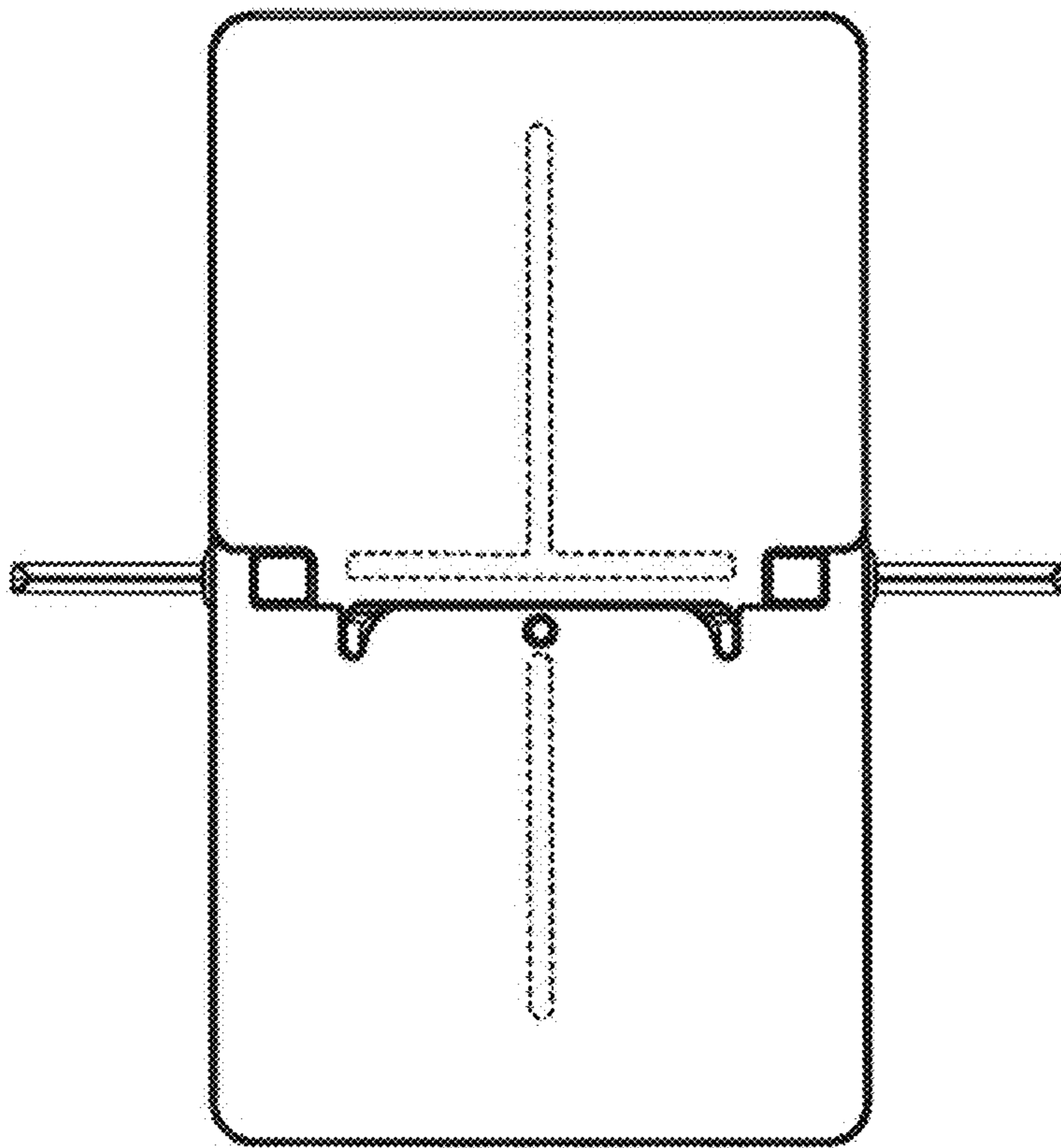


FIG. 14