



US00D783424S

(12) **United States Design Patent** (10) **Patent No.:** **US D783,424 S**
Matsumiya et al. (45) **Date of Patent:** **** Apr. 11, 2017**

(54) **IMAGE MEASURING DEVICE**

(71) Applicant: **MITUTOYO CORPORATION**,
Kanagawa (JP)

(72) Inventors: **Sadayuki Matsumiya**, Kanagawa (JP);
Yu Sugai, Kanagawa (JP); **Shigeru Ohtani**, Kanagawa (JP); **Kenji Iwamoto**, Kanagawa (JP); **Ryohei Kanno**, Kanagawa (JP); **Atsushi Hattori**, Kanagawa (JP); **Takaharu Imura**, Tokyo (JP)

(73) Assignee: **MITUTOYO CORPORATION**,
Kawasaki (JP)

(**) Term: **15 Years**

(21) Appl. No.: **29/576,323**

(22) Filed: **Sep. 1, 2016**

(30) **Foreign Application Priority Data**

Mar. 4, 2016 (JP) 2016-004948

(51) **LOC (10) Cl.** **10-04**

(52) **U.S. Cl.**
USPC **D10/63**

(58) **Field of Classification Search**
USPC D10/63
CPC .. G01B 21/047; G01B 21/042; G01B 21/145;
G01B 5/012; G01B 5/008; G01B 11/03;
G01B 11/005; G01B 5/004; G05B 19/00;
G05B 19/407; G05B 2219/36452; G05B
2219/36479; G05B 2219/37193; G05B
2219/3744

See application file for complete search history.

(56) **References Cited**

U.S. PATENT DOCUMENTS

D731,904 S * 6/2015 Stohr D10/63

FOREIGN PATENT DOCUMENTS

JP D1391779 S 7/2010

* cited by examiner

Primary Examiner — Antoine D Davis
(74) *Attorney, Agent, or Firm* — Oliff PLC

(57) **CLAIM**

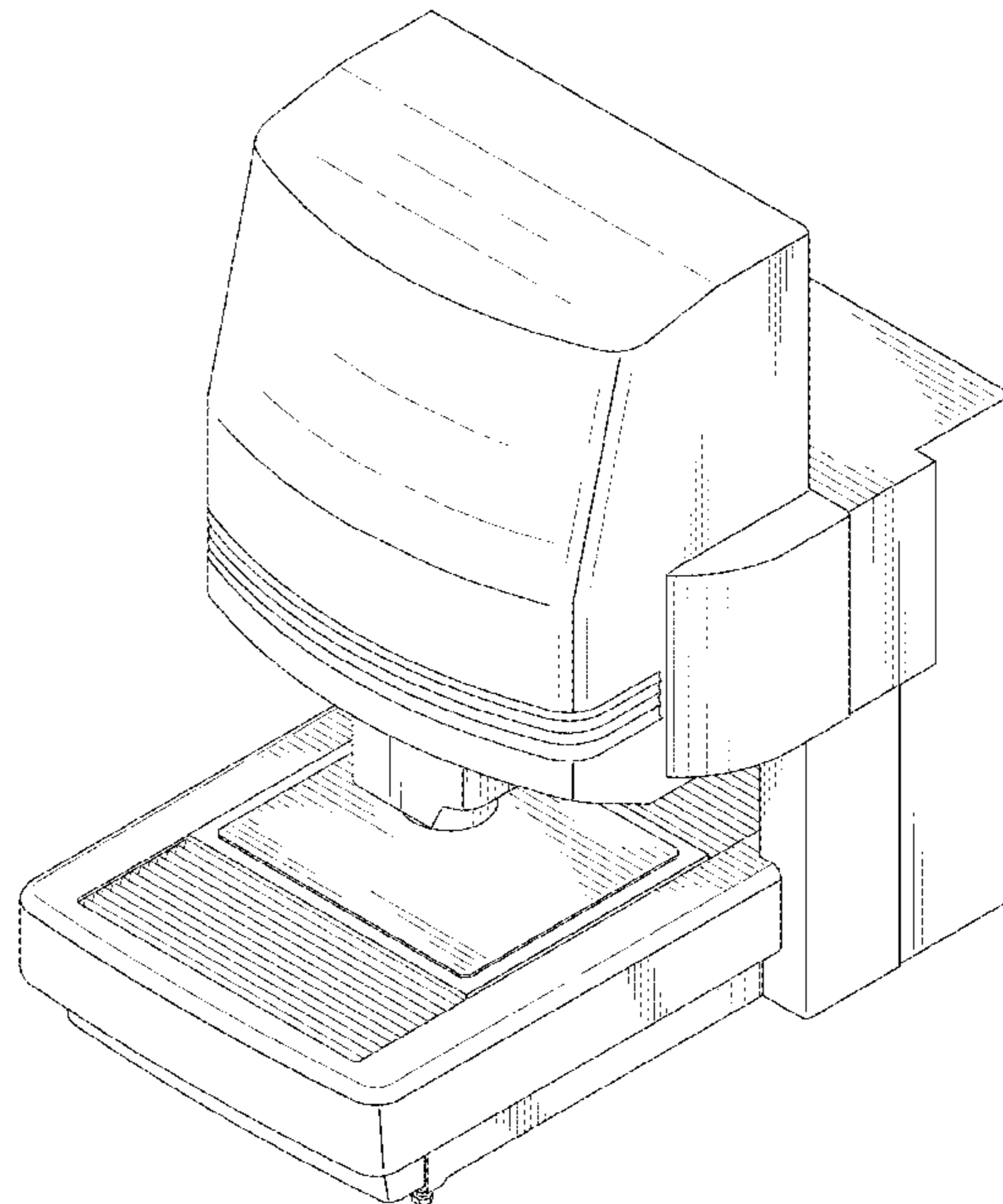
The ornamental design for an image measuring device, as shown and described.

DESCRIPTION

FIG. 1 is a front, right-side, top perspective view of the image measuring device;
FIG. 2 is a front elevational view thereof;
FIG. 3 is a top plan view thereof;
FIG. 4 is a right-side elevational view thereof;
FIG. 5 is a left-side elevational view thereof;
FIG. 6 is a rear elevational view thereof; and,
FIG. 7 is a bottom plan view thereof.

The broken lines depict unclaimed portions of the image measuring device, and thus form no part of the claimed design.

1 Claim, 7 Drawing Sheets



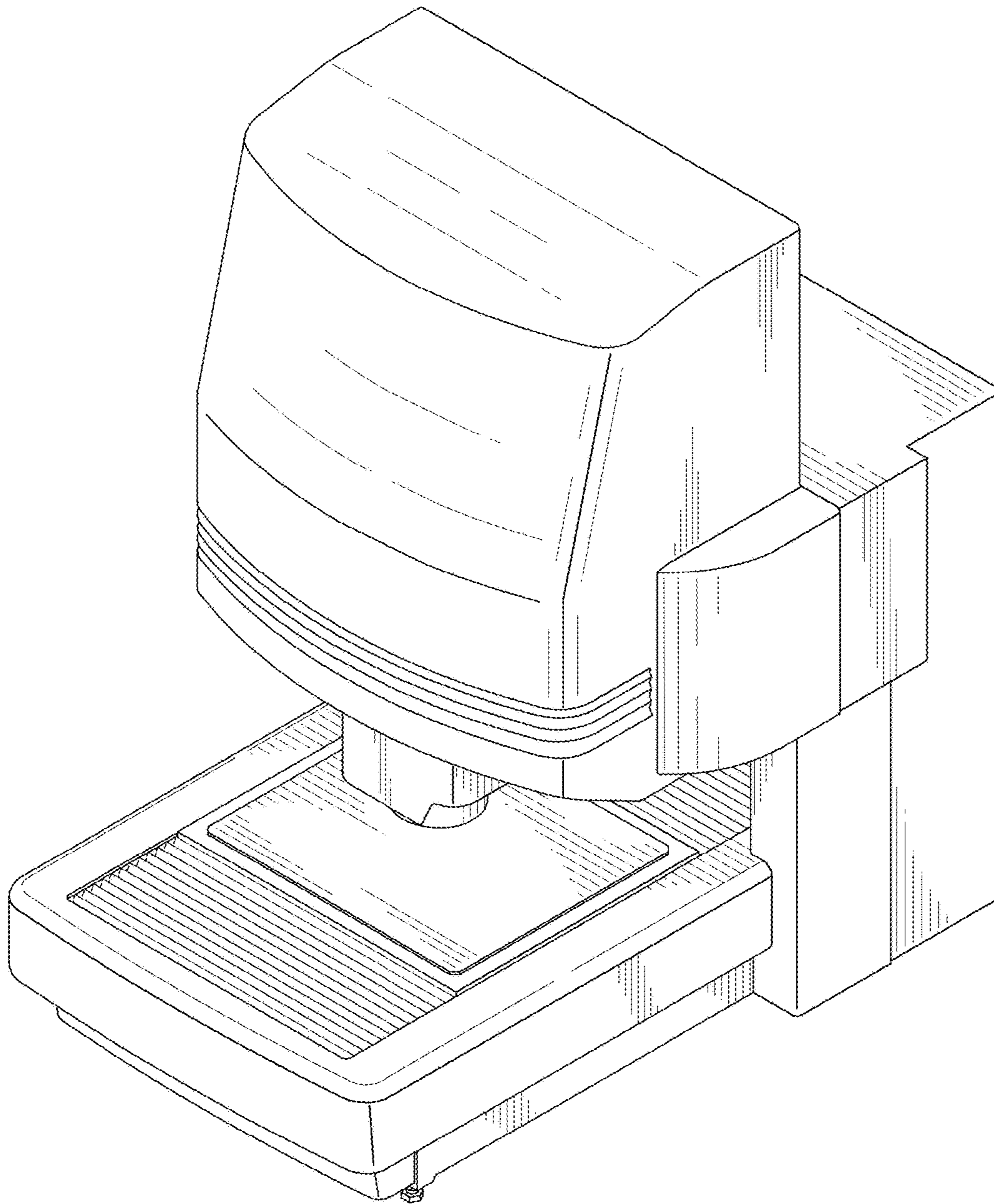


FIG. 1

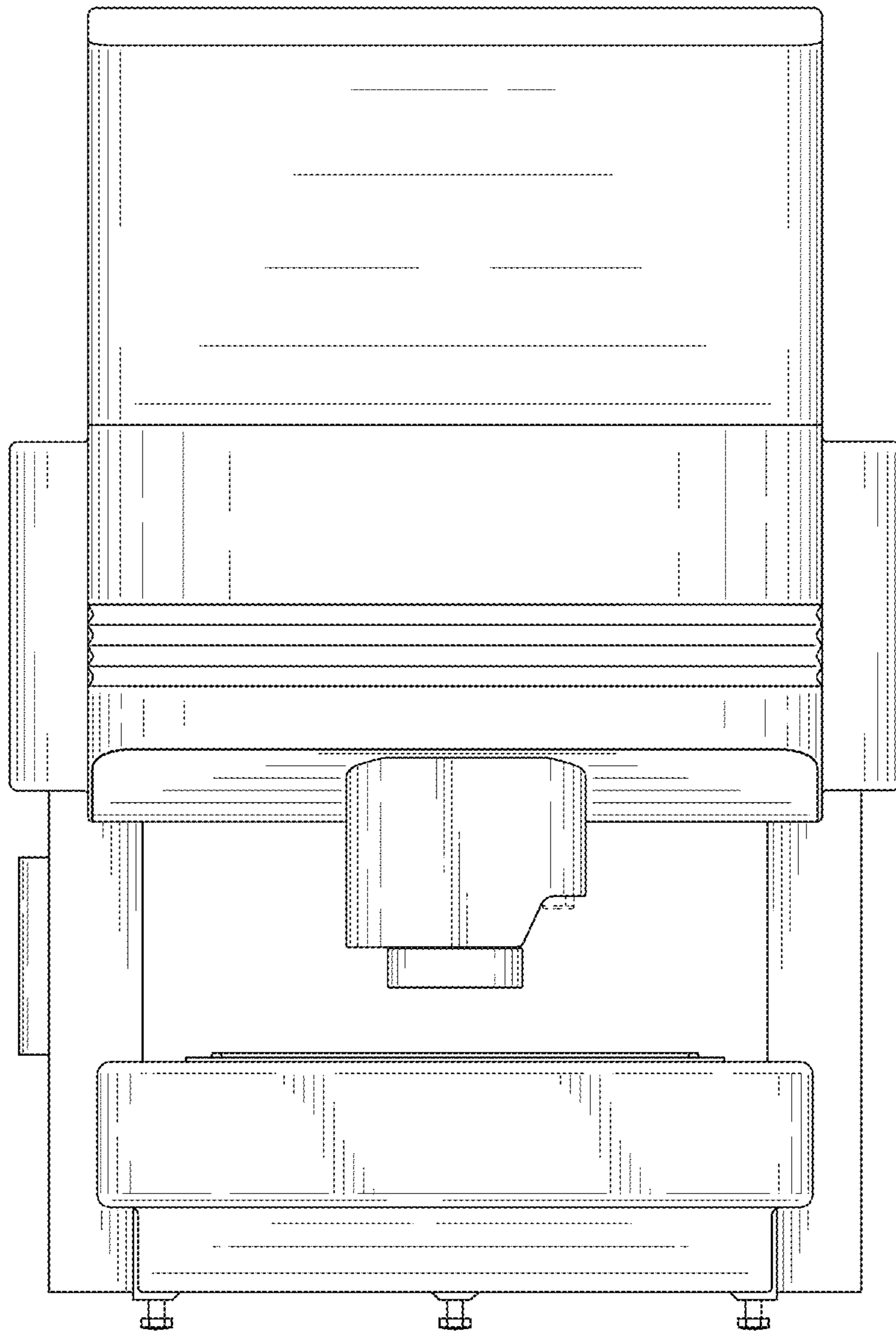


FIG. 2

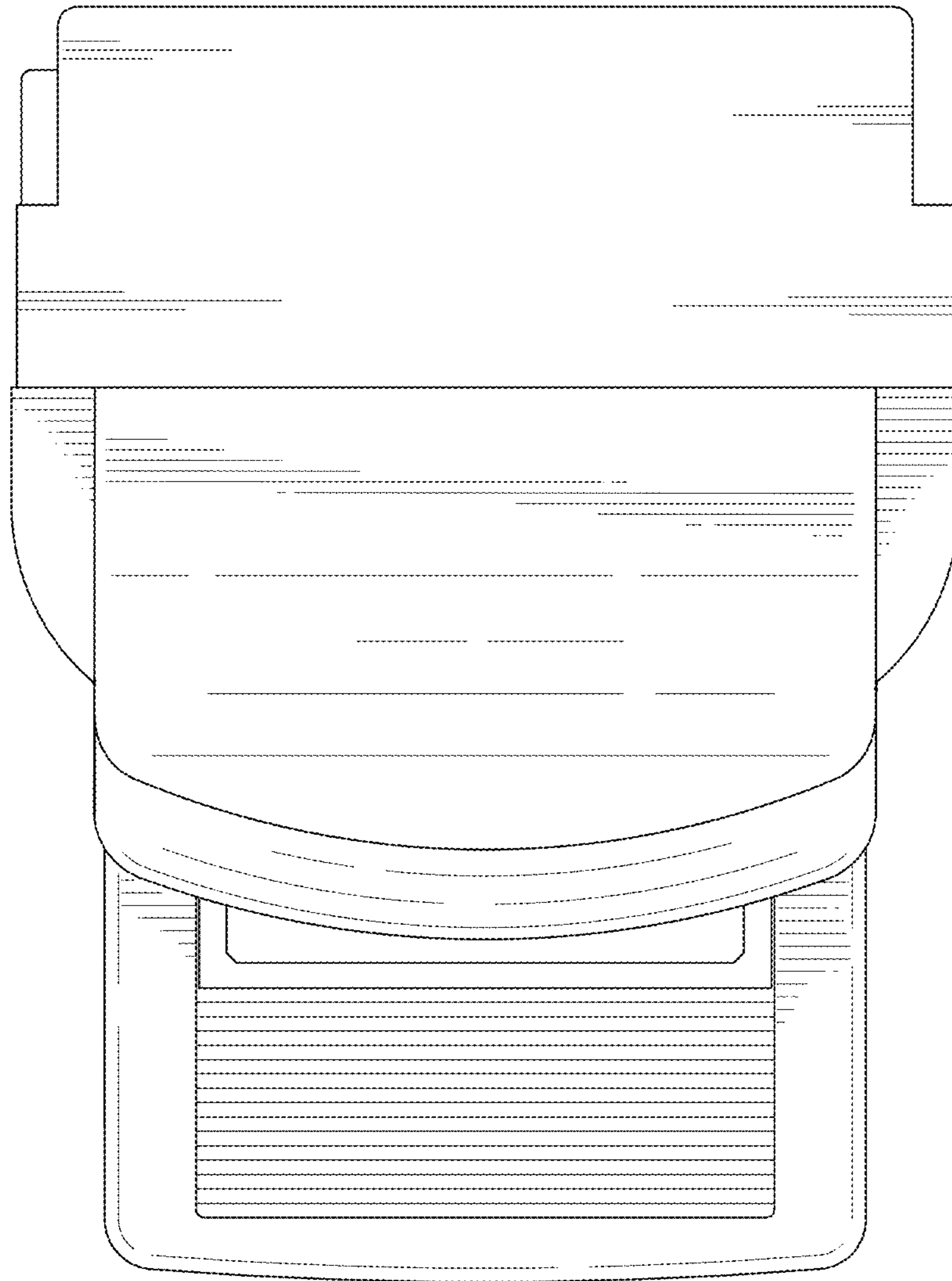


FIG. 3

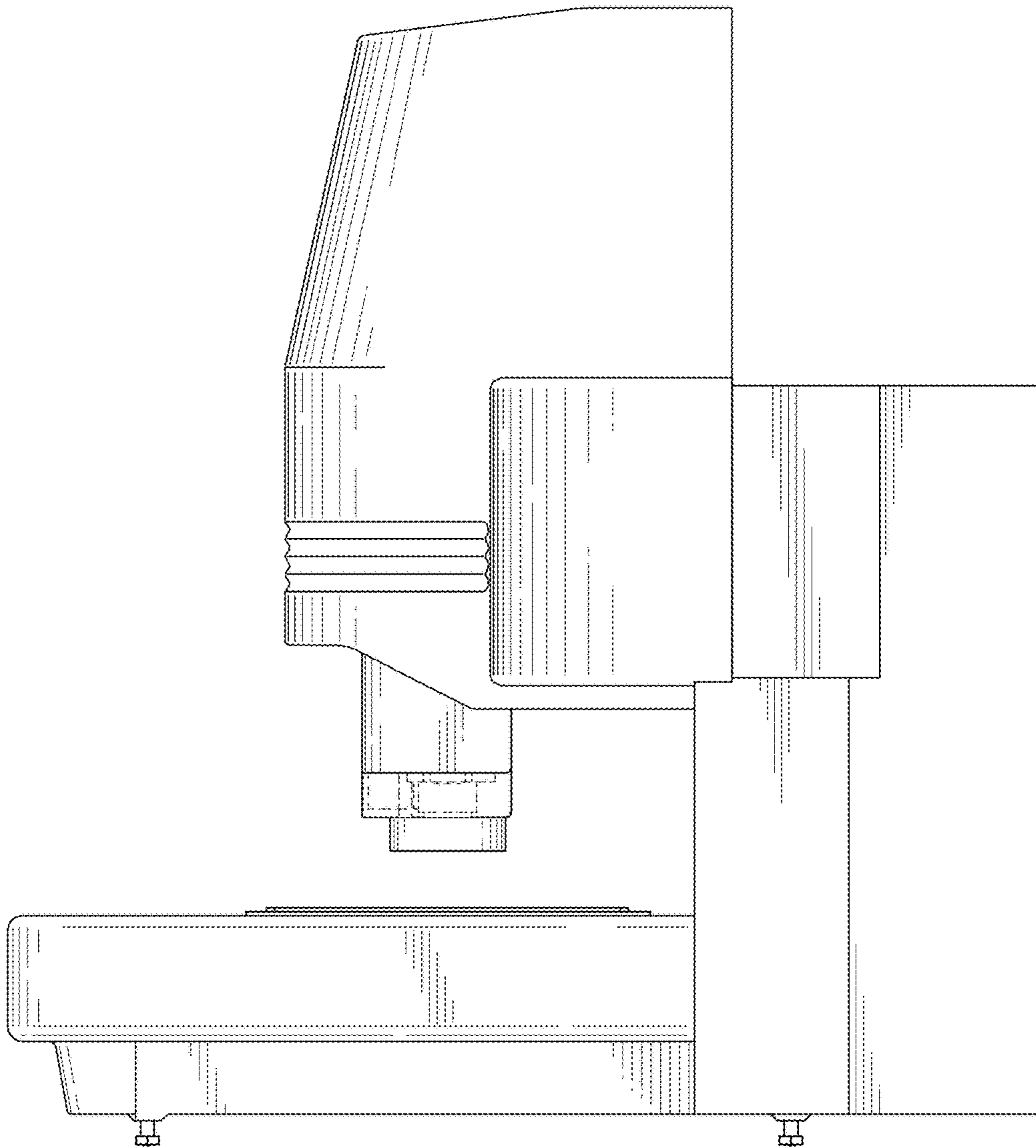


FIG. 4

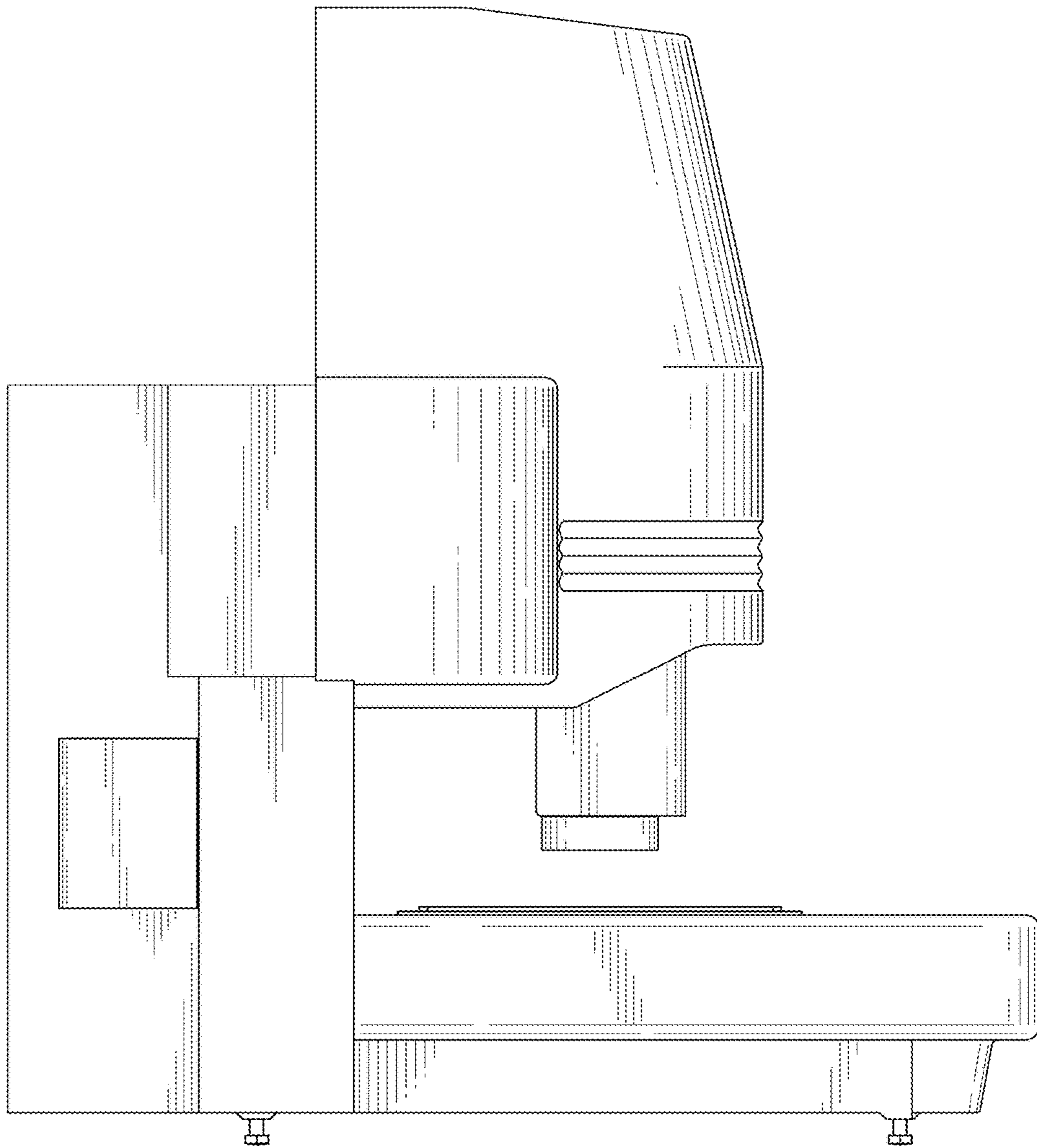


FIG. 5

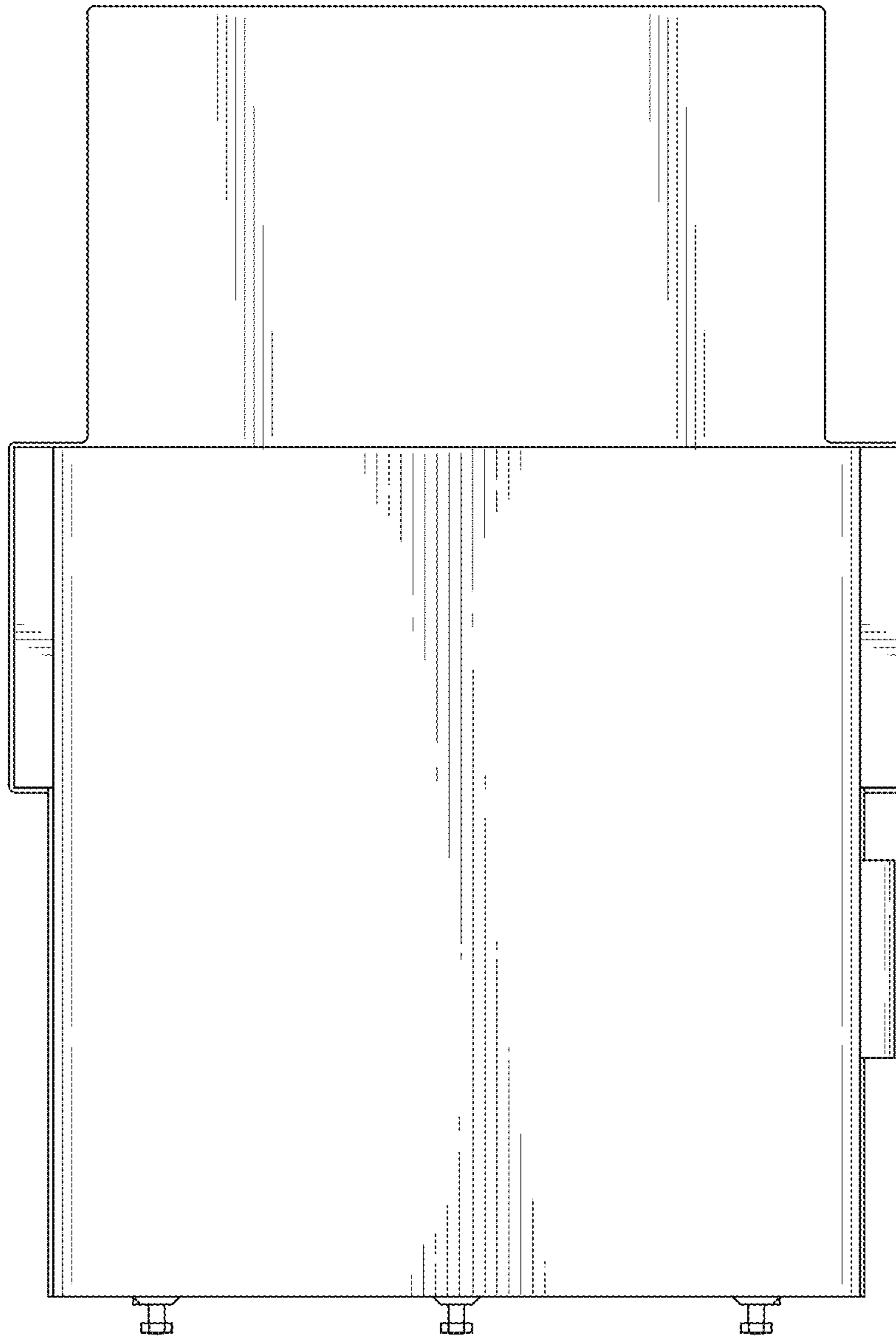


FIG. 6

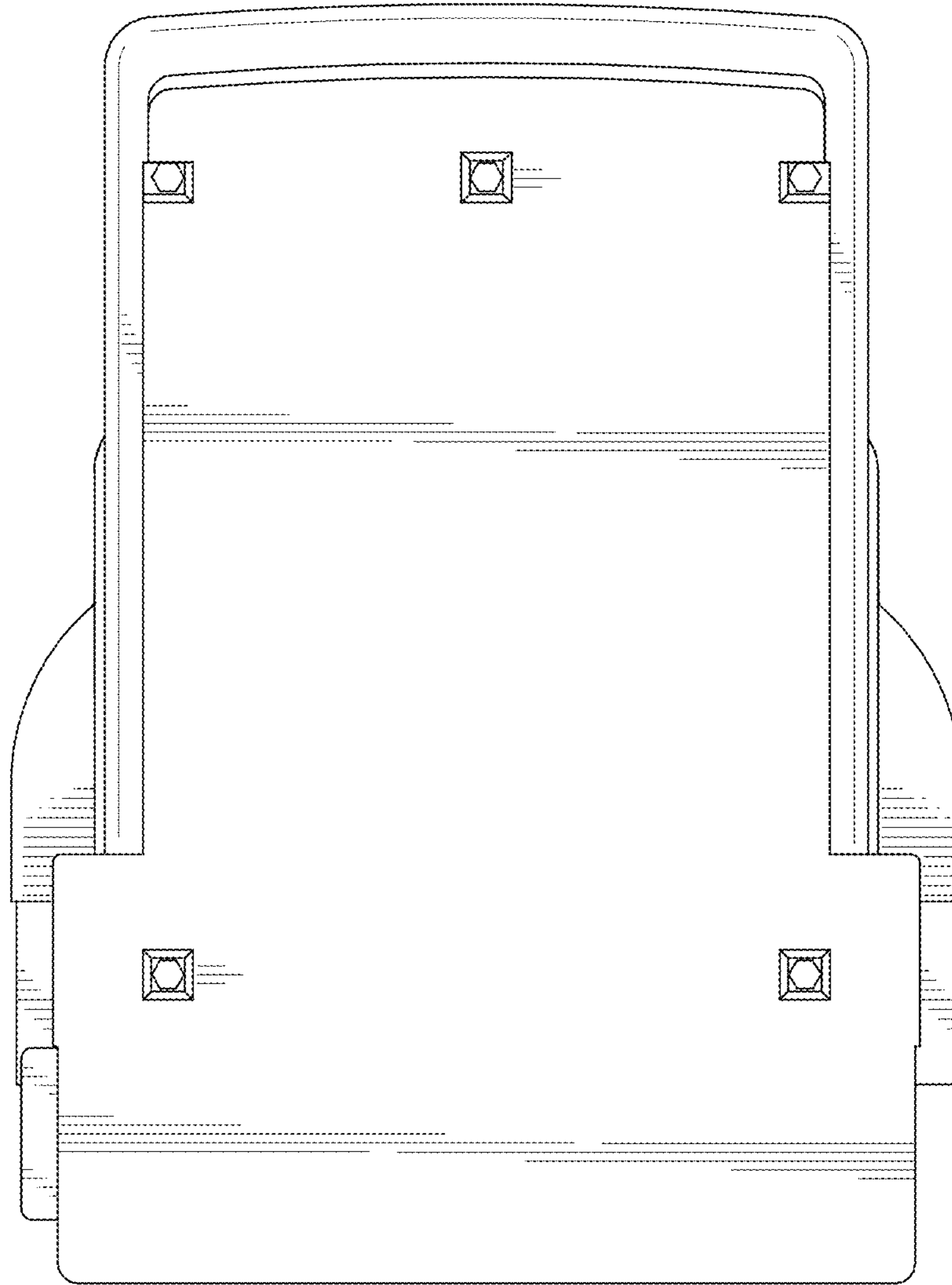


FIG. 7