



US00D783421S

(12) **United States Design Patent**
Van Belle et al.

(10) **Patent No.:** **US D783,421 S**
(45) **Date of Patent:** **** Apr. 11, 2017**

(54) **SEEDLING TRAY**

B65D 43/162; B65D 2543/00324; B65D 83/0445

See application file for complete search history.

(71) Applicant: **Van Belle Nursery Inc.**, Abbotsford (CA)

(56) **References Cited**

(72) Inventors: **William David Van Belle**, Abbotsford (CA); **Diego Fernando Martinez Manay**, Abbotsford (CA)

U.S. PATENT DOCUMENTS

(73) Assignee: **Van Belle Nursery Inc.**, Abbotsford (CA)

2,721,022	A	10/1955	Billerbeck	
3,219,254	A *	11/1965	Hall	B65D 85/327 206/521.15
3,251,531	A *	5/1966	Hook	B65D 85/325 206/521.15
3,386,608	A *	6/1968	Diller	B65D 1/30 220/23.6

(Continued)

(**) Term: **15 Years**

FOREIGN PATENT DOCUMENTS

(21) Appl. No.: **29/550,629**

CN	201805767	4/2011
CN	102396393	4/2012

(Continued)

(22) Filed: **Jan. 5, 2016**

(51) **LOC (10) Cl.** **09-03**

(52) **U.S. Cl.**

USPC **D9/760**

(58) **Field of Classification Search**

USPC D9/762, 757, 737, 761, 420-426, 432, D9/418, 415, 501, 72, 739, 742, 753, 756, D9/741; D7/611, 550.1, 605, 701, 553.1, D7/553.2, 614; D3/313, 304, 311, 314, D3/315; D6/396, 397, 449, 450, 466, D6/469, 629; D24/227; 206/139, 206/201-203, 427, 265, 504, 518, 519, 206/524.1, 557, 561, 564, 565, 703, 704, 206/705, 523, 586, 515, 521.1, 521.15, 206/521.3, 521.6, 521.8, 521.4, 521.9, 206/406; 220/4.26, 508; 229/406; 426/119, 112, 298, 614; D11/143, 155, D11/156

CPC B65D 2543/00194; B65D 2543/00296;

OTHER PUBLICATIONS

RocketLiners—Van Belle Nursery 2017 (YouTube), available Jul. 26, 2016, [online], [site visited Oct. 26, 2016]. Video available from internet, <URL: https://www.youtube.com/watch?v=zChKie3_rYY>.*

(Continued)

Primary Examiner — Cathron Brooks
Assistant Examiner — Teddy Falloway
(74) *Attorney, Agent, or Firm* — Oyen Wiggs Green & Mutala LLP

(57) **CLAIM**

The ornamental design for a seedling tray, as shown and described.

DESCRIPTION

FIG. 1 is a top perspective view of a seedling tray showing the design;

FIG. 2 is a bottom perspective view thereof;

(Continued)

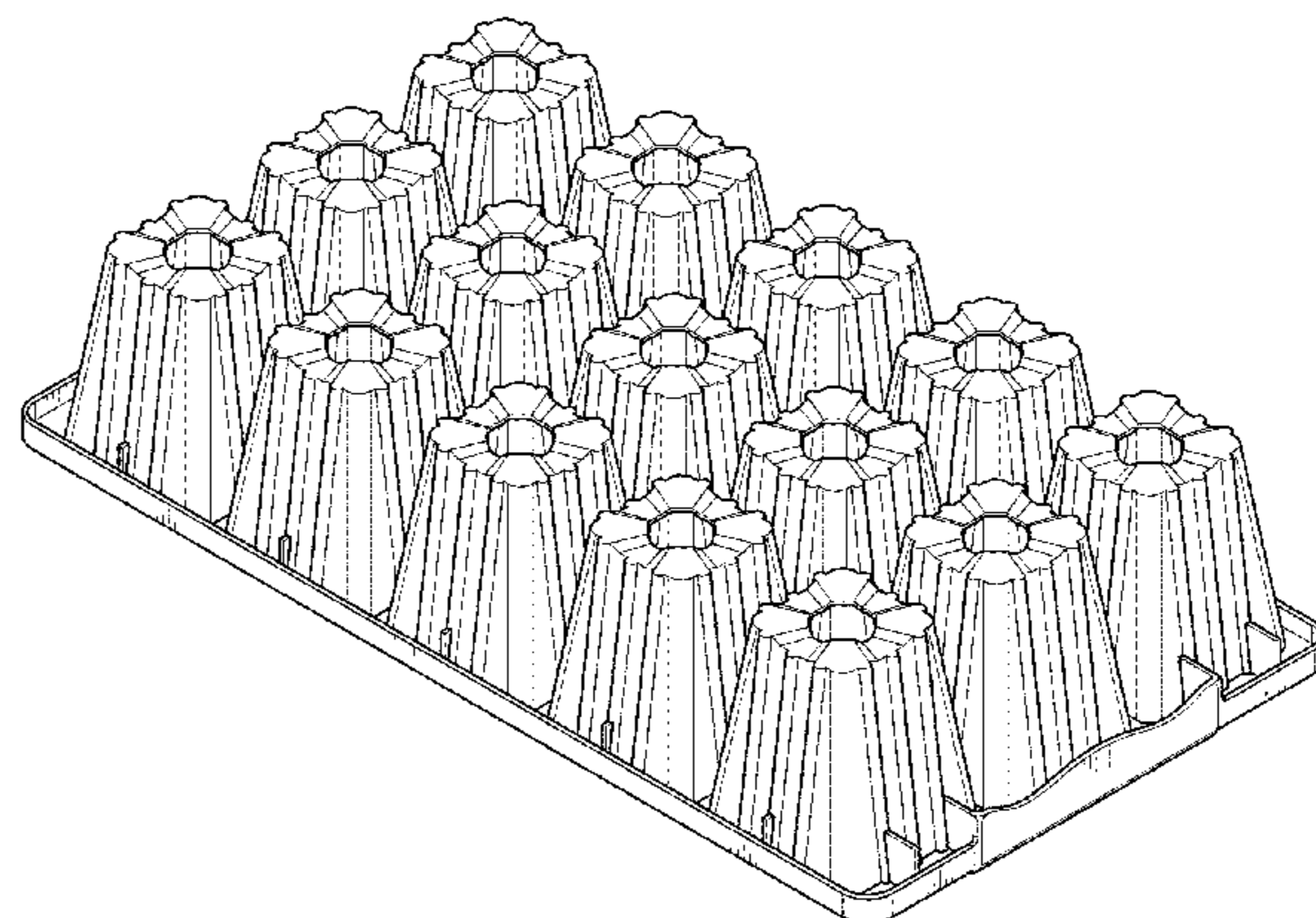
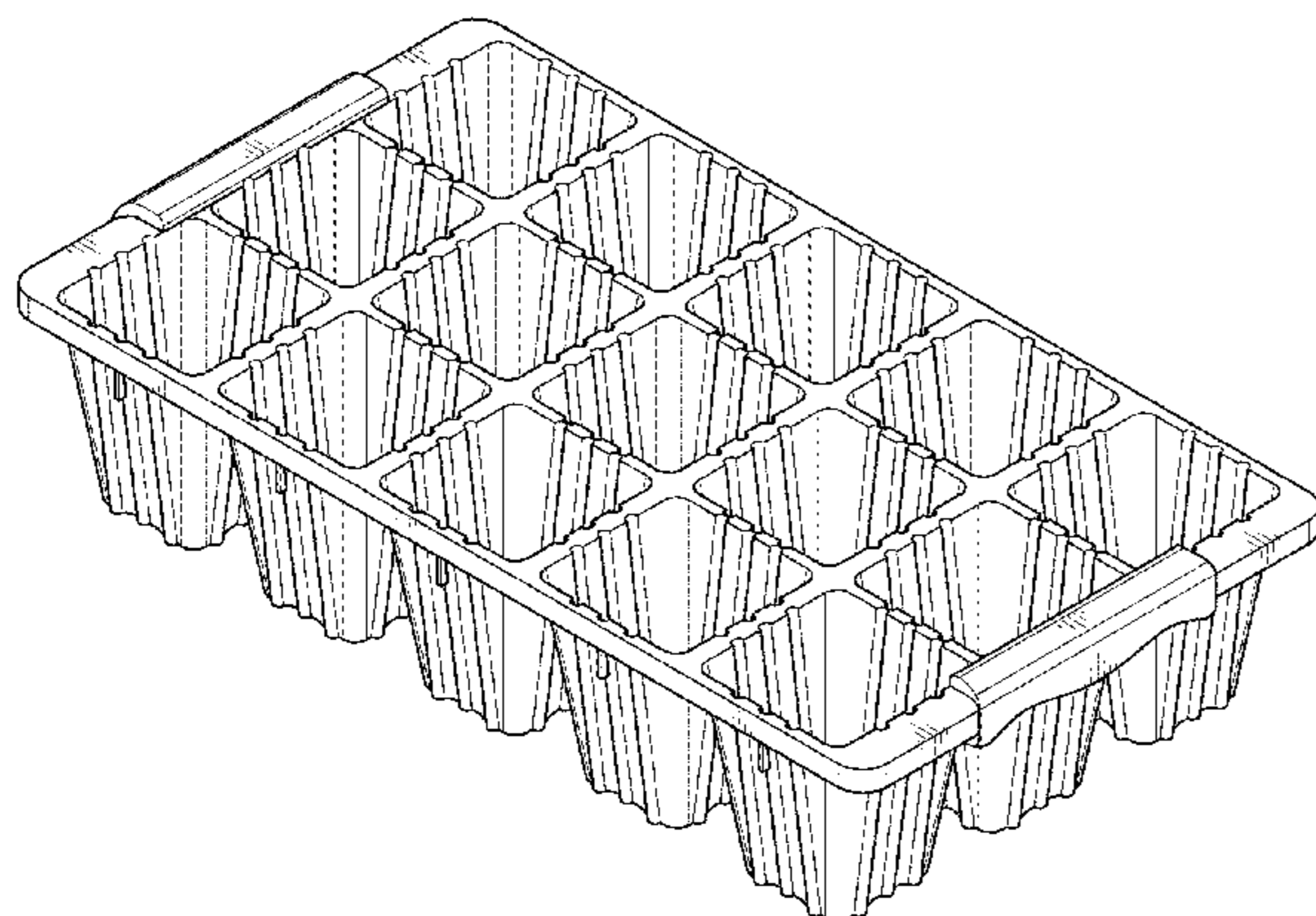


FIG. 3 is a top view thereof;
 FIG. 4 is a bottom view thereof;
 FIG. 5 is a side view thereof; and,
 FIG. 6 is an end view thereof.

7,926,655 B1 4/2011 Branyon et al.
 8,707,620 B2 4/2014 Miller et al.
 2008/0053854 A1 3/2008 Moerkerken et al.
 2009/0151247 A1 6/2009 Kirtz et al.
 2015/0135592 A1 5/2015 Lin et al.

1 Claim, 6 Drawing Sheets

FOREIGN PATENT DOCUMENTS

(56)

References Cited

U.S. PATENT DOCUMENTS

3,561,158 A * 2/1971 Marcan A01G 9/104
 220/23.6
 3,755,964 A * 9/1973 Rack A01G 9/104
 229/406
 D241,622 S * 9/1976 Smith D9/760
 4,216,621 A 8/1980 Olsen et al.
 4,236,350 A 12/1980 Hasselbach, Sr.
 D263,681 S * 4/1982 Parr D9/425
 D263,682 S * 4/1982 Urciuoli D9/425
 D277,467 S * 2/1985 Turunen D11/155
 D277,837 S * 3/1985 Turunen D11/155
 4,597,222 A 7/1986 Roode
 4,763,442 A 8/1988 Saeger
 D298,924 S * 12/1988 Saarinen D11/155
 4,999,946 A 3/1991 DeGiglio et al.
 5,022,183 A 6/1991 Bohlmann
 D321,074 S * 10/1991 Eby D3/313
 D322,048 S * 12/1991 Saarinen D11/155
 D324,834 S * 3/1992 Saarinen D11/155
 D325,714 S * 4/1992 Karhiniemi D11/155
 5,105,948 A 4/1992 Morris et al.
 5,274,953 A 1/1994 Nicholson
 5,465,530 A 11/1995 Santoiemmo
 5,784,984 A 7/1998 Mikawa
 D401,530 S * 11/1998 Keskilohko D11/155
 6,044,778 A 4/2000 Shokaku et al.
 6,050,027 A 4/2000 Pavelka et al.
 6,266,921 B1 7/2001 Keskilohko
 6,651,384 B1 11/2003 Williams
 D485,756 S 1/2004 Apps
 D540,711 S * 4/2007 Howard D11/155
 D580,789 S * 11/2008 Larson D9/425
 D616,266 S * 5/2010 Kulzer D7/701
 D616,267 S * 5/2010 Kulzer D7/701
 D616,269 S * 5/2010 Kulzer D7/701
 D616,270 S * 5/2010 Kulzer D7/701
 7,735,647 B2 6/2010 Raker et al.
 D624,794 S * 10/2010 Kulzer D7/553.2
 D628,449 S * 12/2010 Kulzer D7/553.2

CN 202374771 8/2012
 CN 202663780 1/2013
 CN 204217563 3/2015
 CN 204425979 7/2015
 DE 3638312 5/1987
 EP 0063495 8/1985
 EP 0578153 1/1994
 EP 1472924 3/2004

OTHER PUBLICATIONS

Seed Starter Germination Kit (via amazon.com), available Apr. 7, 2014, [online], [site visited Oct. 26, 2016]. Available from internet, <URL https://www.amazon.com/Starter-Germination-Station-Complete-Growing/dp/B00IMP1HVQ/ref=sr_1_4?ie=UTF8&qid=1477503788&sr=8-4&keywords=seedling+tray.*>
 Seed Starter Trays (via amazon.com), available Mar. 20, 2014, [online], [site visited Oct. 26, 2016]. Available from internet, <URL: https://www.amazon.com/starter-trays-EXTRA-LARGE-labels/product-reviews/B00HTCUBZ6/ref=cm_cr_ar_p_d_paging_btm_5?ie=UTF8&reviewerType=all_reviews&showViewpoints=1&sortBy=recent&pageNumber=5.*>
 Product Information, QP E2-12/10. HerkuPlast GmbH. Online <<http://www.herkuplast.com/en/program/QuickPot/%2BEuro.html>>. Accessed Jan. 29, 2016.
 Product Information, QP D 15/10. HerkuPlast GmbH. Online <http://www.herkuplast.com/en/program/QuickPot/Danish/QP%2BD%2B15_-_10.html>. Accessed Jan. 29, 2016.
 Product Information, QP D-L 18/10. HerkuPlast GmbH. Online <http://www.herkuplast.com/en/program/QuickPot/Danish/QP%2BD-L%28D-L%2B18_-_10.html>. Accessed Jan. 29, 2016.
 Photos of QP E2-12/10. HerkuPlast GmbH. Available at least as early as Jan. 4, 2016.
 Photos of QP D 15/10. HerkuPlast GmbH. Available at least as early as Jan. 4, 2016.
 Photos of QP D-L 18/10. HerkuPlast GmbH. Available at least as early as Jan. 4, 2016.
 Photos of SureRoots 15. T.O. Plastics, Inc. Available at least as early as Jan. 4, 2016.
 Photos of Sheet Pots (15 pots per unit). T.O. Plastics, Inc. Available at least as early as Jan. 4, 2016.

* cited by examiner

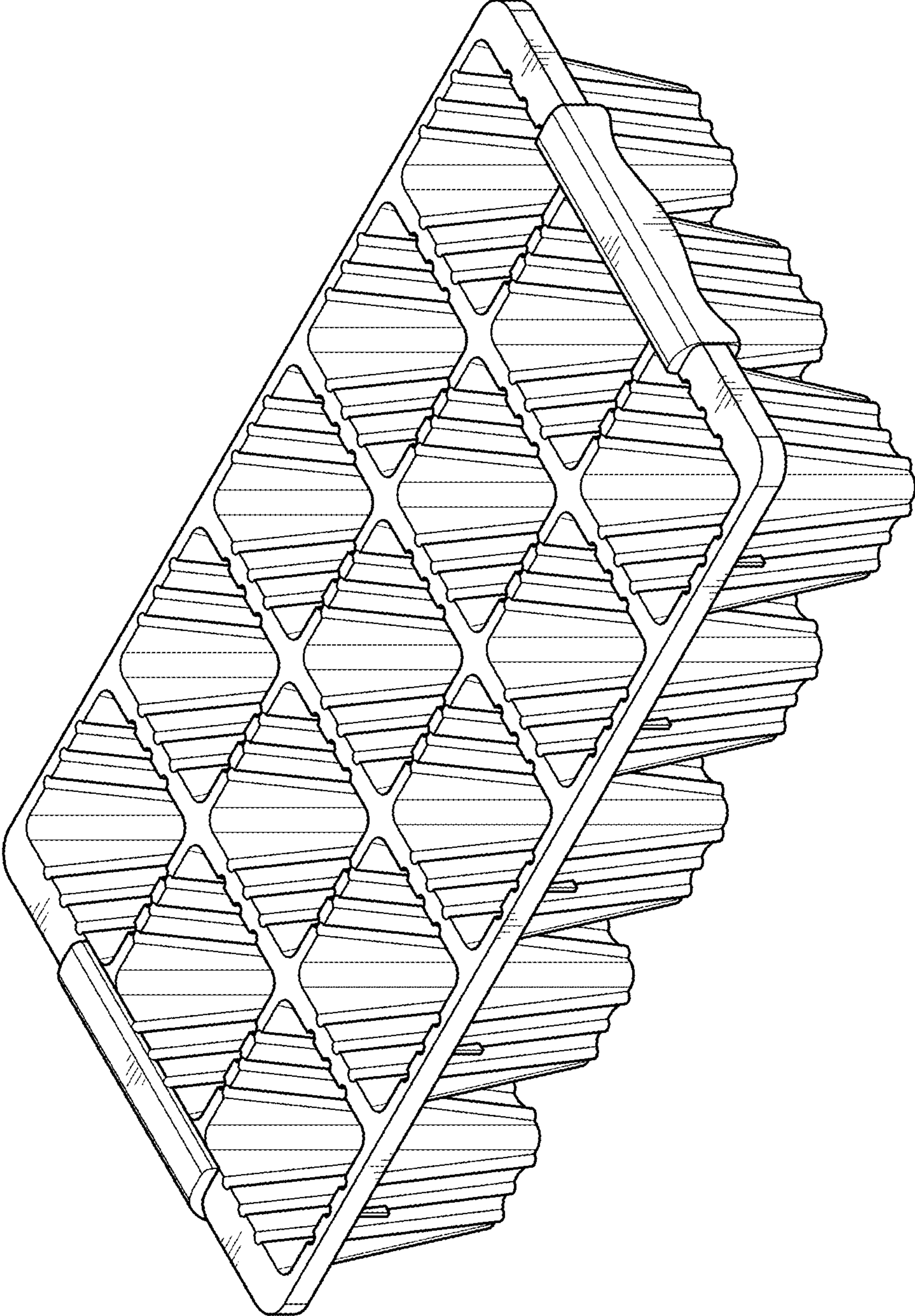


Fig. 1

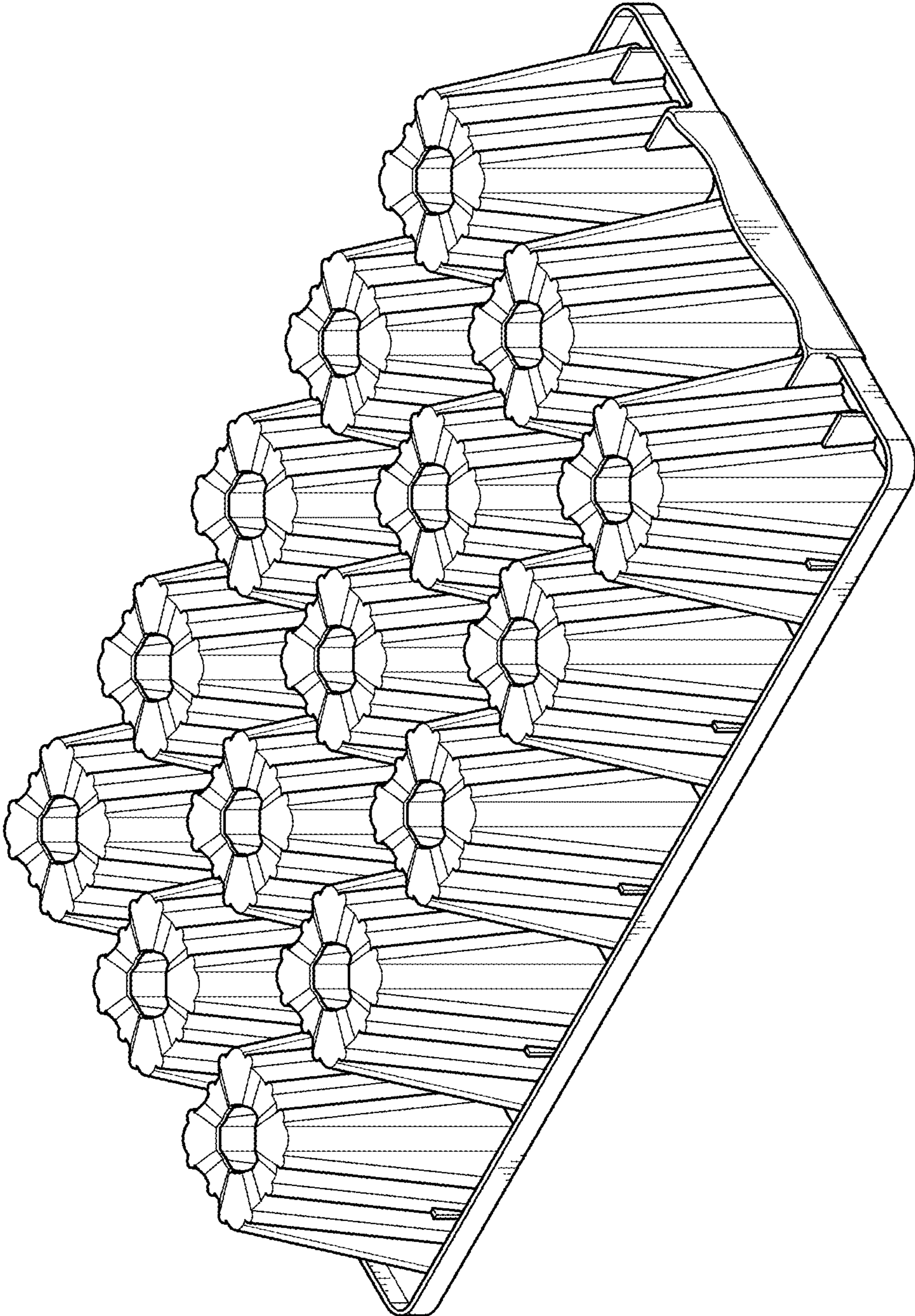
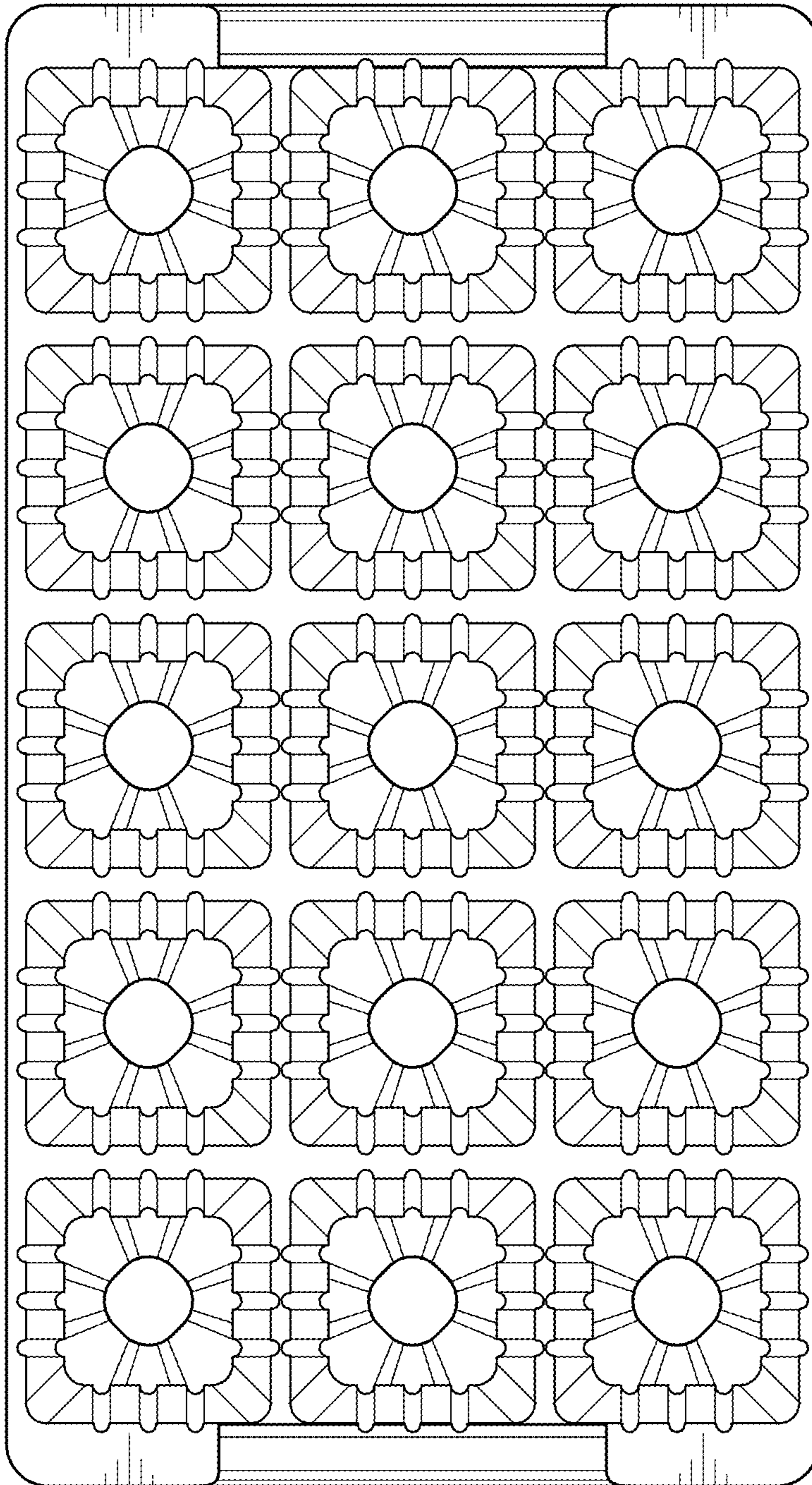


Fig. 2

Fig. 3



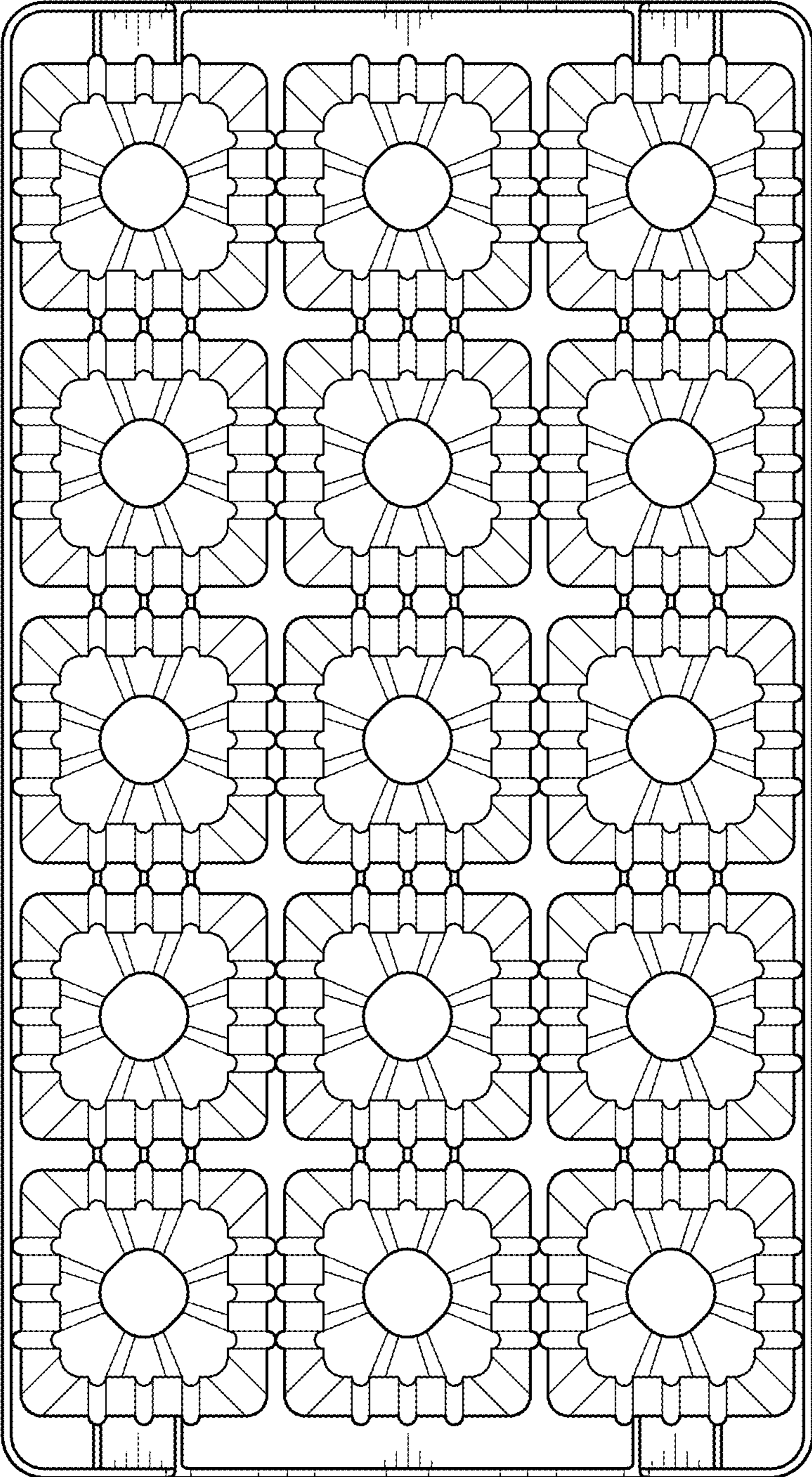


Fig. 4

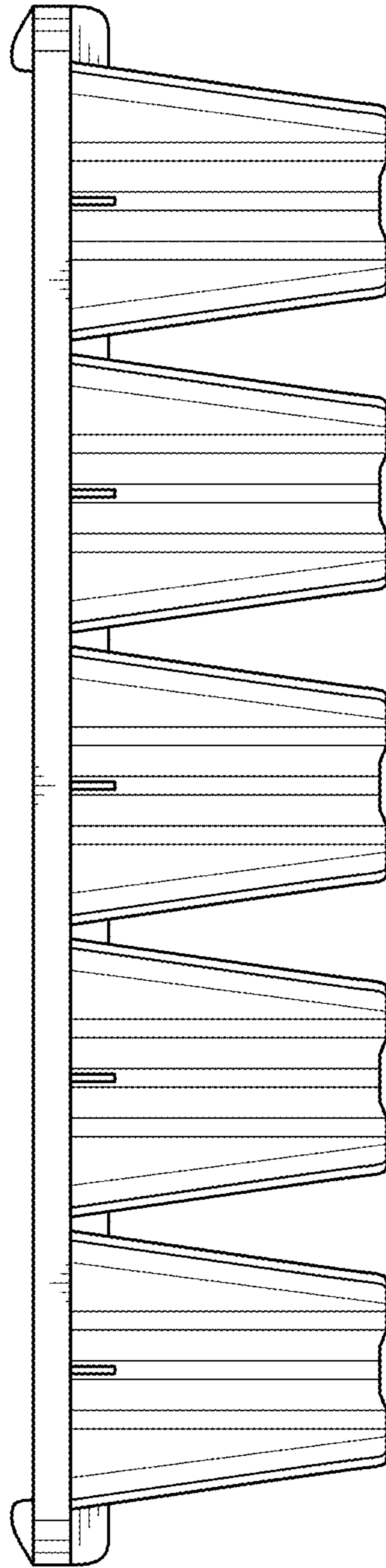


Fig. 5

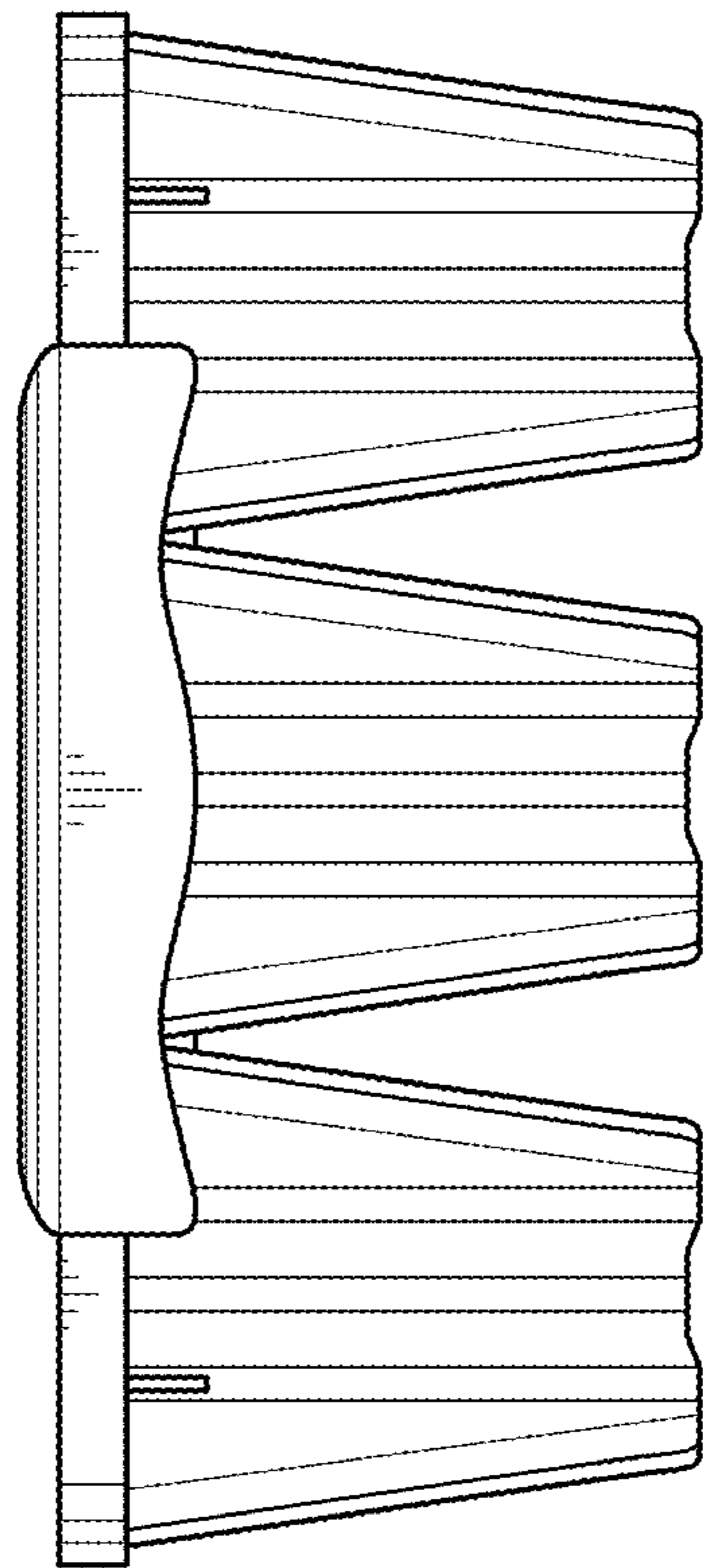


Fig. 6