



US00D783420S

(12) **United States Design Patent** (10) **Patent No.:** **US D783,420 S**
Patel et al. (45) **Date of Patent:** **** Apr. 11, 2017**

(54) **COMBINED MEDICINE APPLICATOR AND CONTAINER**

(71) Applicant: **Trinity Pharma Group**, New Port Richey, FL (US)

(72) Inventors: **Krutika Patel**, Lutz, FL (US); **Devan Patel**, Tampa, FL (US)

(73) Assignee: **Trinity Medical Pharmacy**, New Port Richey, FL (US)

(**) Term: **14 Years**

(21) Appl. No.: **29/520,307**

(22) Filed: **Mar. 13, 2015**

(51) **LOC (10) Cl.** **09-01**

(52) **U.S. Cl.**
USPC **D9/729; D9/540**

(58) **Field of Classification Search**
USPC D9/519, 529, 530, 535-537, 549, 558, D9/574; D28/76, 82, 91; 215/206, 220, 215/222, 660, 675, 669-673
CPC A47K 10/421; B65B 5/04; B65B 7/16; B65D 1/10; B65D 1/26; B65D 1/30; B65D 1/40; B65D 11/02; B65D 21/086; B65D 77/2024; B65D 85/72
See application file for complete search history.

(56) **References Cited**

U.S. PATENT DOCUMENTS

D155,385 S * 10/1949 Brun D28/88
D228,444 S * 9/1973 Mascia D9/551

D357,584 S * 4/1995 Swingler D28/88
D387,661 S * 12/1997 Adams D1/102
D392,390 S * 3/1998 Chan D24/197
D501,362 S * 2/2005 Gauss D7/509
D511,836 S * 11/2005 Morano D24/197
D512,875 S * 12/2005 Maldonado D7/510
D642,437 S * 8/2011 Schofield D24/197

OTHER PUBLICATIONS

Dormex Lip Balm Tube, announced Jun. 2013, [online], site visited Aug. 17, 2016. Available from Internet, <URL: http://www.dormex.co.uk>.*

* cited by examiner

Primary Examiner — Ian Simmons

Assistant Examiner — Janice Lim

(74) *Attorney, Agent, or Firm* — Adam K. Sacharoff; Much Shelist

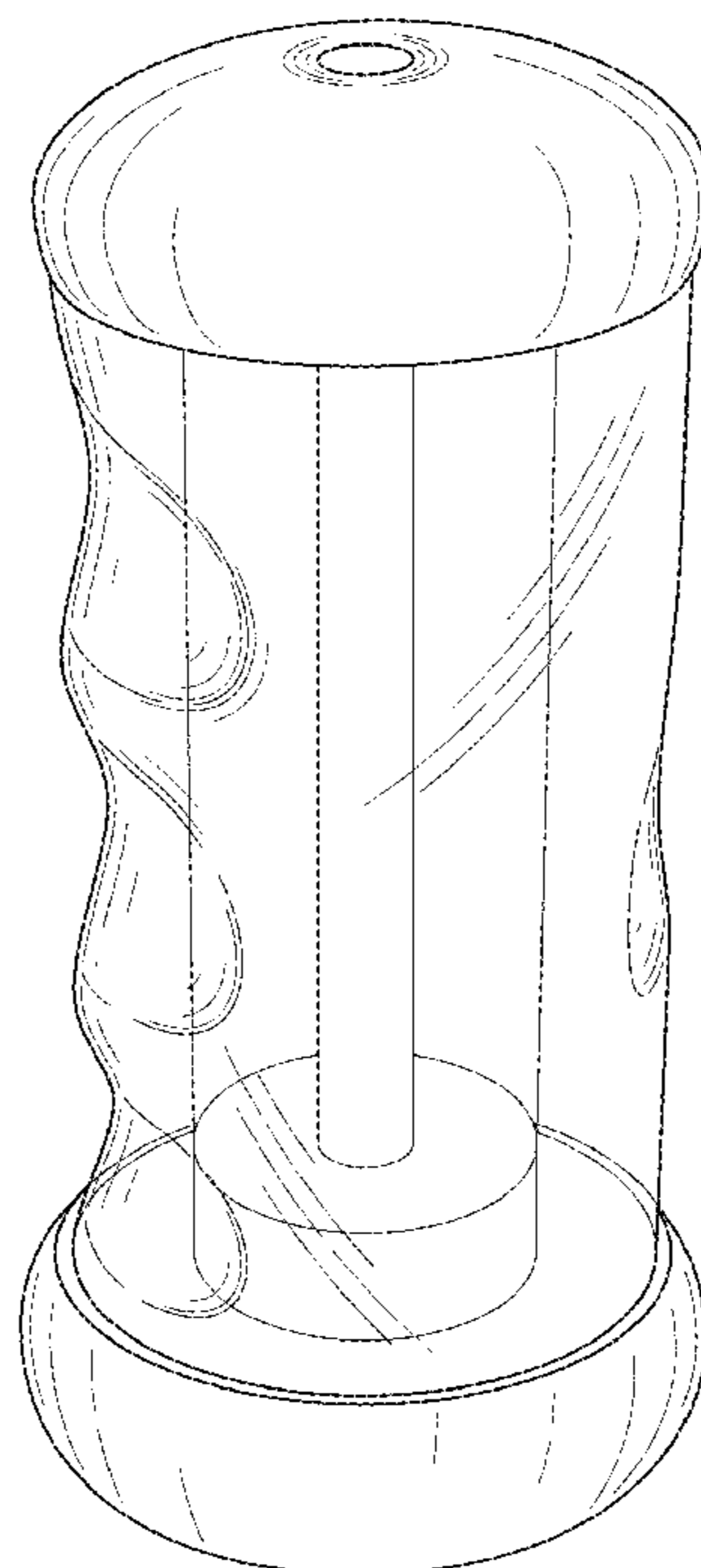
(57) **CLAIM**

The ornamental design for a combined medicine applicator and container, as shown and described.

DESCRIPTION

FIG. 1 is a right side perspective view of a combined medicine applicator container, showing our new design; FIG. 2 front elevation view thereof; FIG. 3 is a rear elevation view thereof; FIG. 4 is a left side view thereof; FIG. 5 is a right side view thereof; and, FIG. 6 is a top plan view thereof. The bottom is flat and devoid of surface ornamentation.

1 Claim, 4 Drawing Sheets



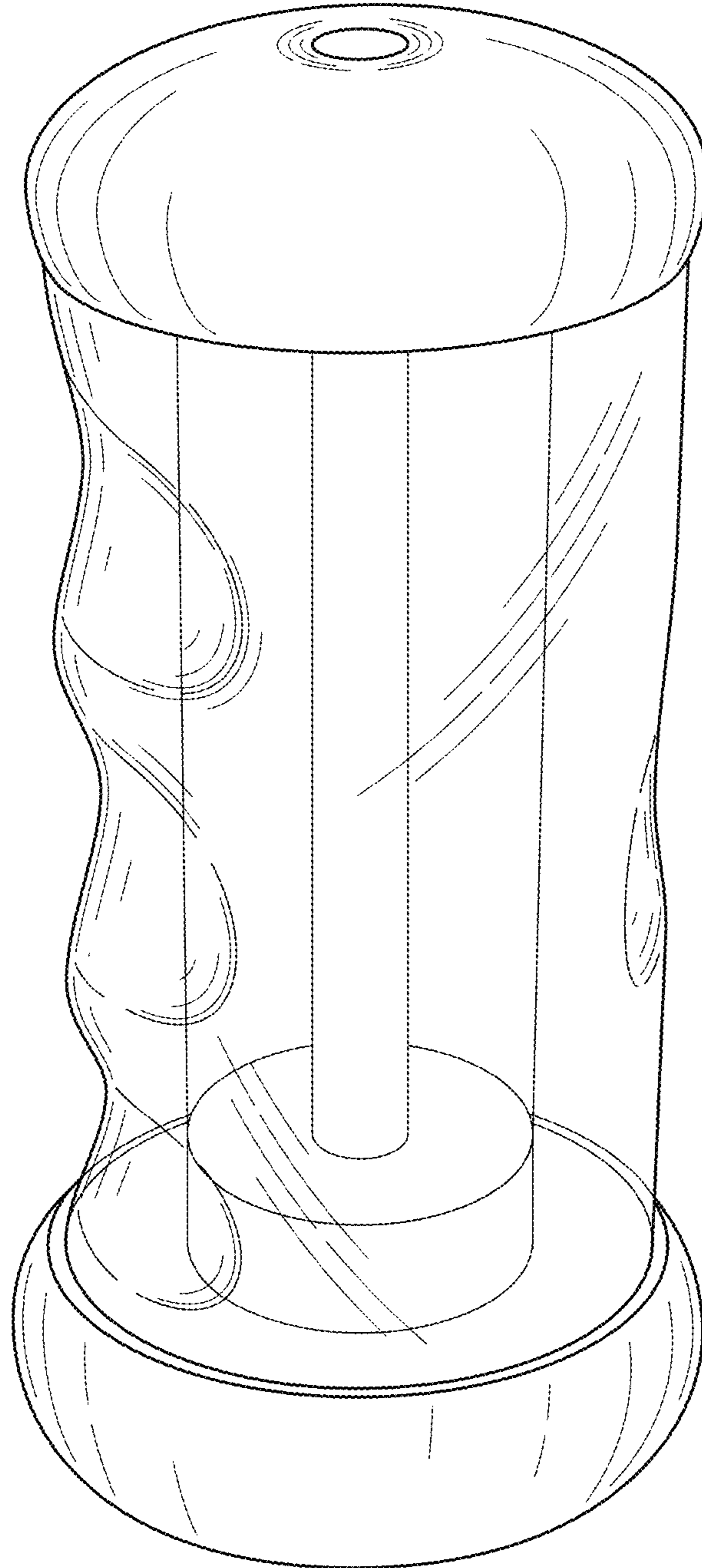


FIG. 1

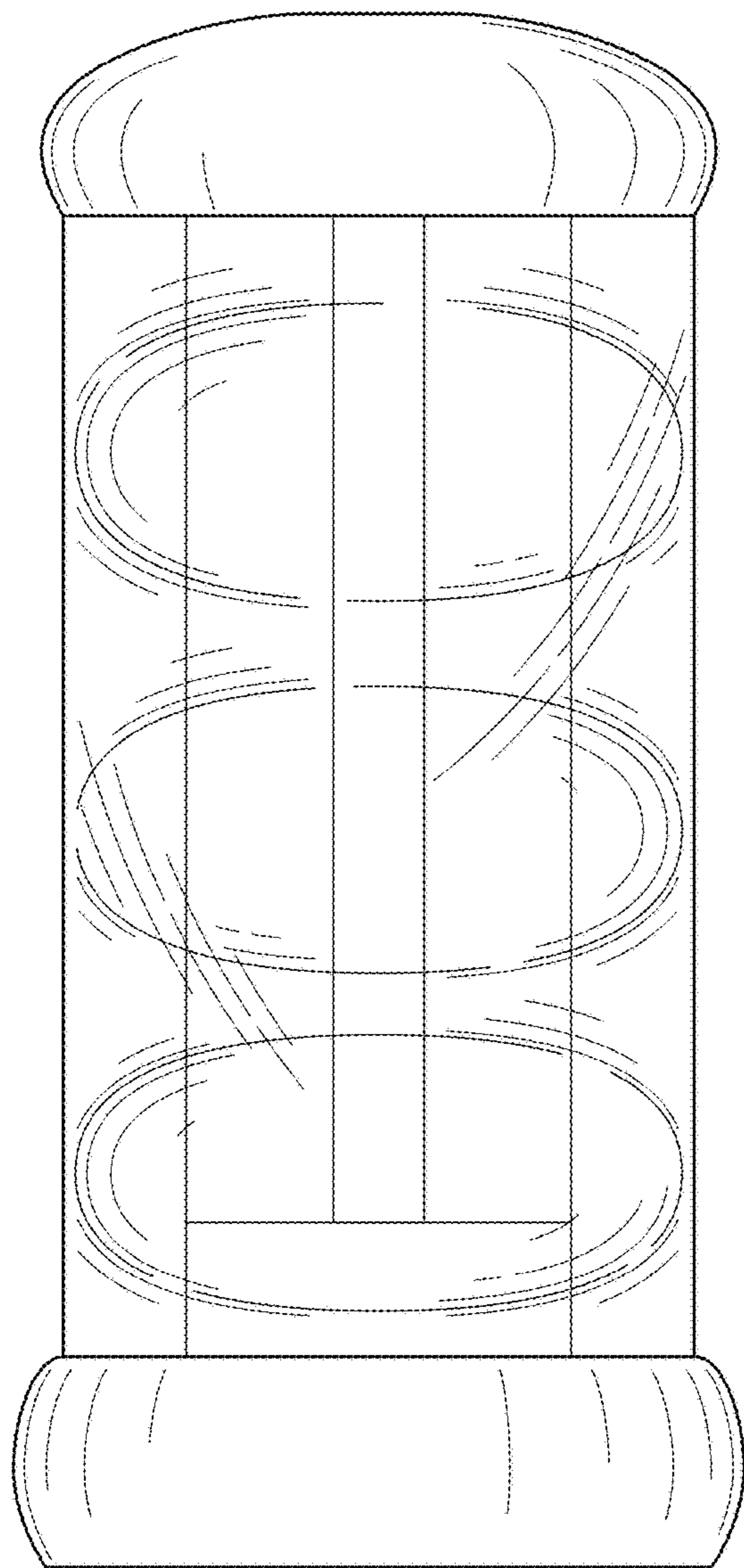


FIG. 2

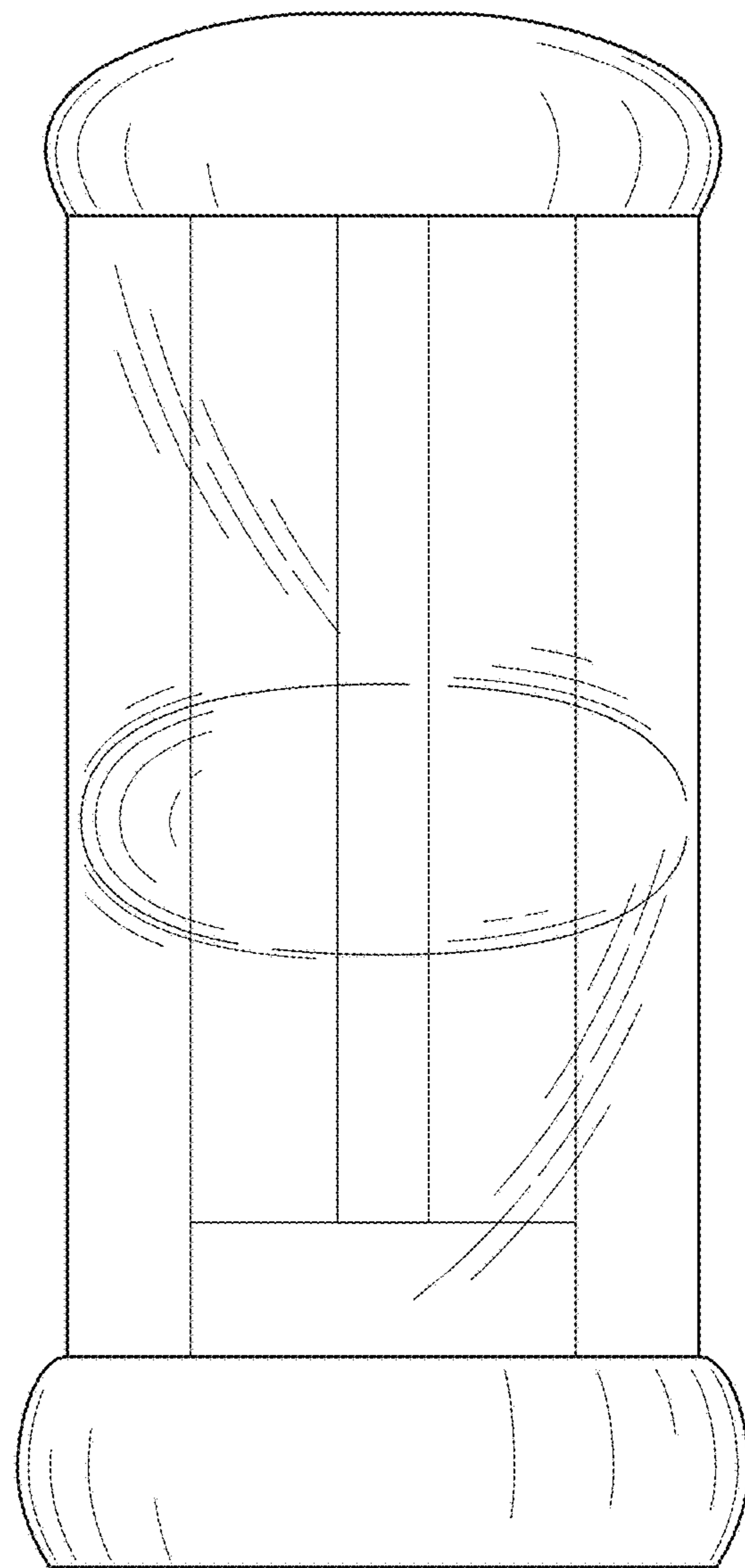


FIG. 3

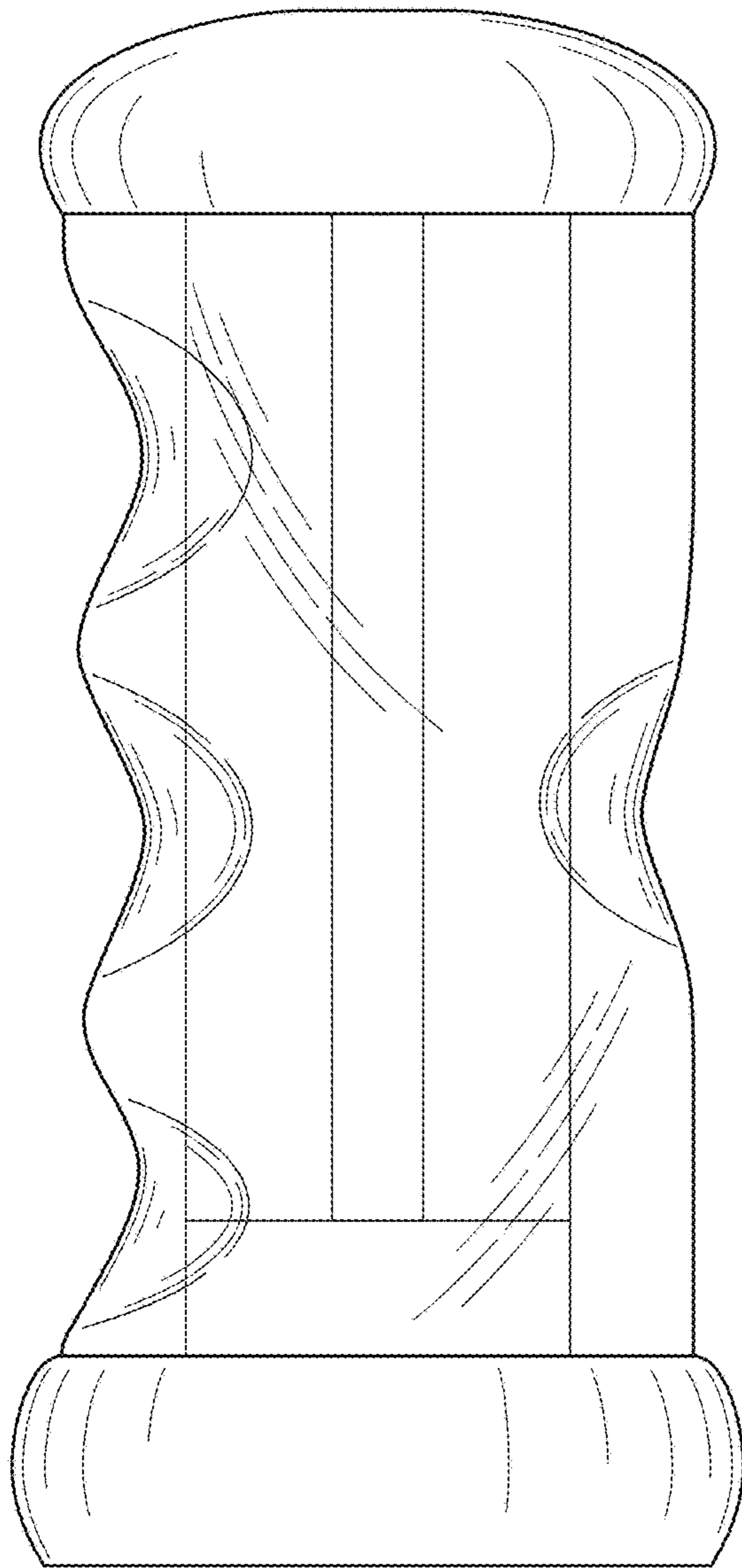


FIG. 4

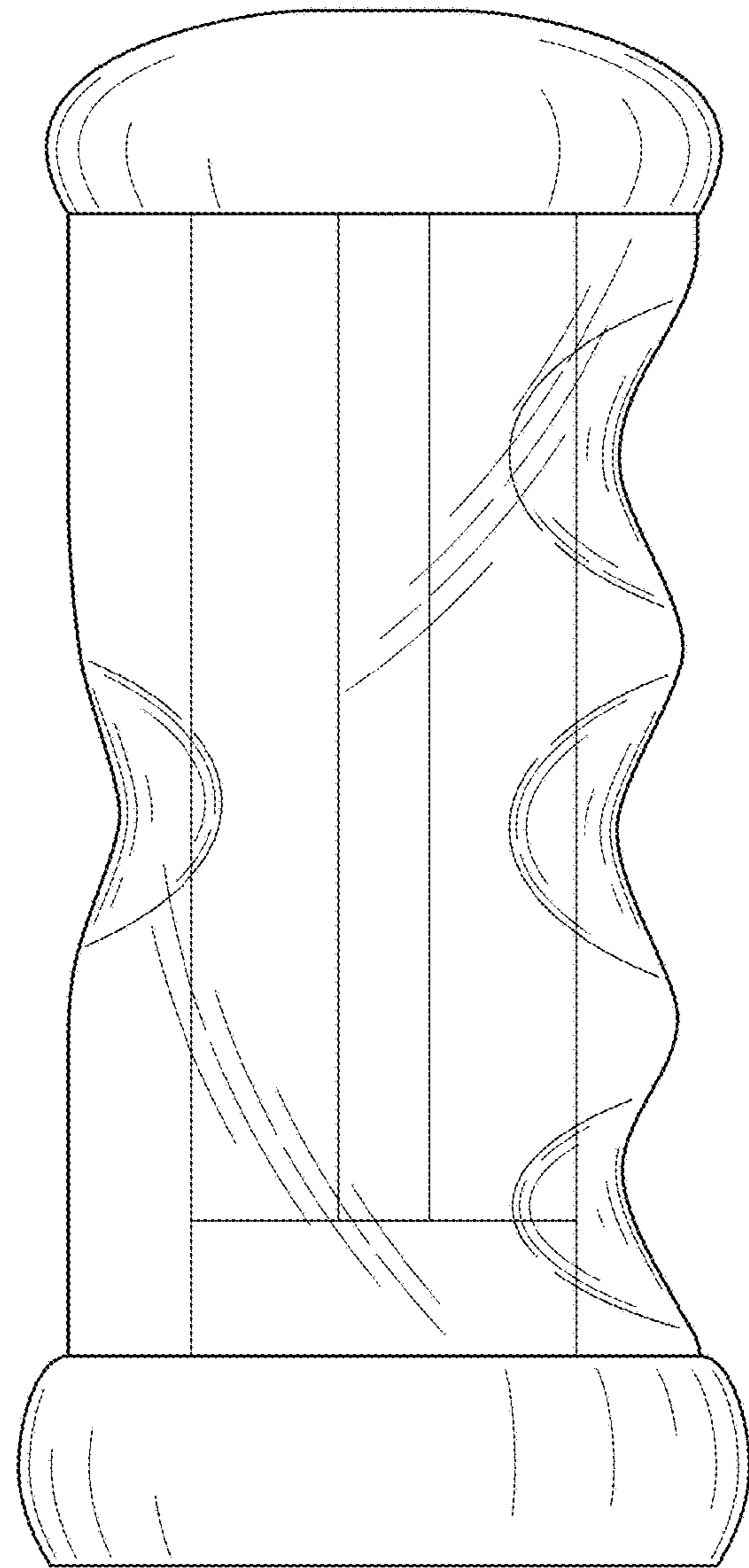


FIG. 5

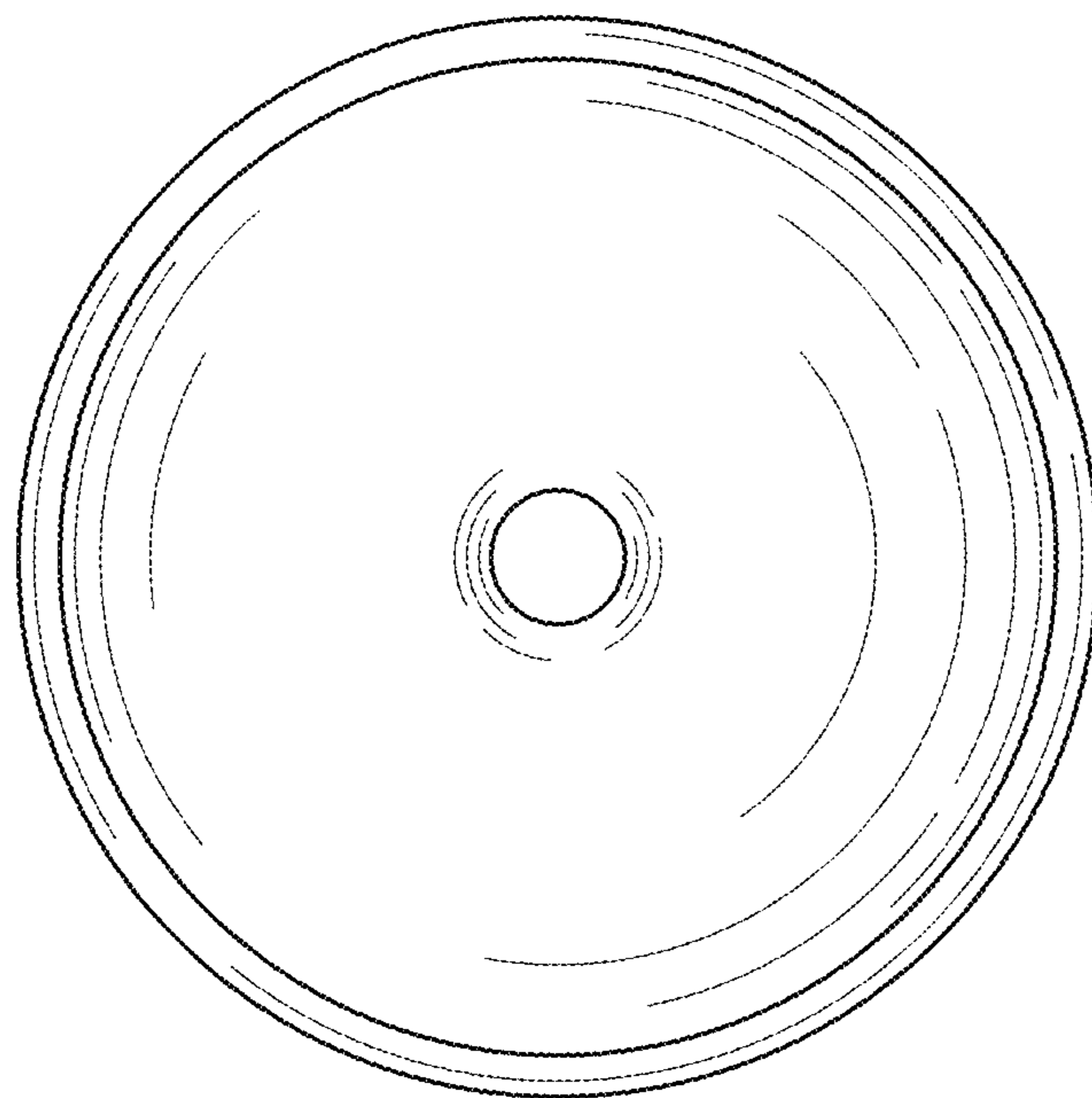


FIG. 6