



US00D783419S

(12) **United States Design Patent**  
**McCormack**

(10) **Patent No.:** **US D783,419 S**

(45) **Date of Patent:** **\*\* Apr. 11, 2017**

(54) **COSMETIC CONTAINER AND SOLID FORMULATION**

D292,775 S \* 11/1987 Keeler ..... D9/729  
D333,977 S \* 3/1993 Gatrost ..... D9/529  
5,715,961 A \* 2/1998 Robertson ..... A45D 40/00

(71) Applicant: **Bayer HealthCare LLC**, Whippany, NJ (US)

132/318

(72) Inventor: **Kimberly McCormack**, Summit, NJ (US)

D414,690 S \* 10/1999 Hutchinson ..... D9/729

D415,021 S \* 10/1999 Hutchinson ..... D9/729

6,030,138 A \* 2/2000 Losier ..... B65D 47/42

401/196

(Continued)

(73) Assignee: **Bayer HealthCare LLC**, Wippany, NJ (US)

*Primary Examiner* — Derrick Holland

*Assistant Examiner* — Lauren Calve

(\*\*) Term: **15 Years**

(74) *Attorney, Agent, or Firm* — Lowenstein Sandler LLP

(21) Appl. No.: **29/564,047**

(57) **CLAIM**

(22) Filed: **May 10, 2016**

The ornamental design for a cosmetic container and solid formulation, as shown and described.

(51) **LOC (10) Cl.** ..... **09-01**

(52) **U.S. Cl.**  
USPC ..... **D9/727**

**DESCRIPTION**

(58) **Field of Classification Search**

USPC ..... D9/516, 542, 715, 719, 721, 727, 729;  
D28/4, 9, 73, 76, 82; D23/366

CPC ..... A45D 34/04; A45D 2200/1018; A45D 40/06; A45D 34/045; A45D 40/00; A45D 40/18; A45D 40/02; A45D 40/205; A45D 2200/051; A45D 2040/208; A45D 34/06; A45D 2200/053; A45D 33/26; A45D 40/12; A45D 2040/204; A45D 40/0075; Y10S 206/823; B65D 47/42; B65D 83/0011; B65D 2543/00296; B65D 83/0805; B65D 1/0223; B65D 75/366; B65D 35/36; B65D 65/38; B65D 83/00; B65D 51/18

See application file for complete search history.

FIG. 1 is a perspective view of a cosmetic container and solid formulation according to my new design;

FIG. 2 is a front elevation view thereof;

FIG. 3 is a rear elevation view thereof;

FIG. 4 is a left side elevation view thereof;

FIG. 5 is a right side elevation view thereof;

FIG. 6 is a top plan view thereof;

FIG. 7 is a bottom plan view thereof;

FIG. 8 is a perspective view of the cosmetic container and solid formulation shown without the cap for clarity of illustration;

FIG. 9 is a front elevation view thereof;

FIG. 10 is a back elevation view thereof;

FIG. 11 is a left side elevation view thereof;

FIG. 12 is a right side elevation view thereof;

FIG. 13 is a top plan view thereof; and,

FIG. 14 is a bottom plan view thereof.

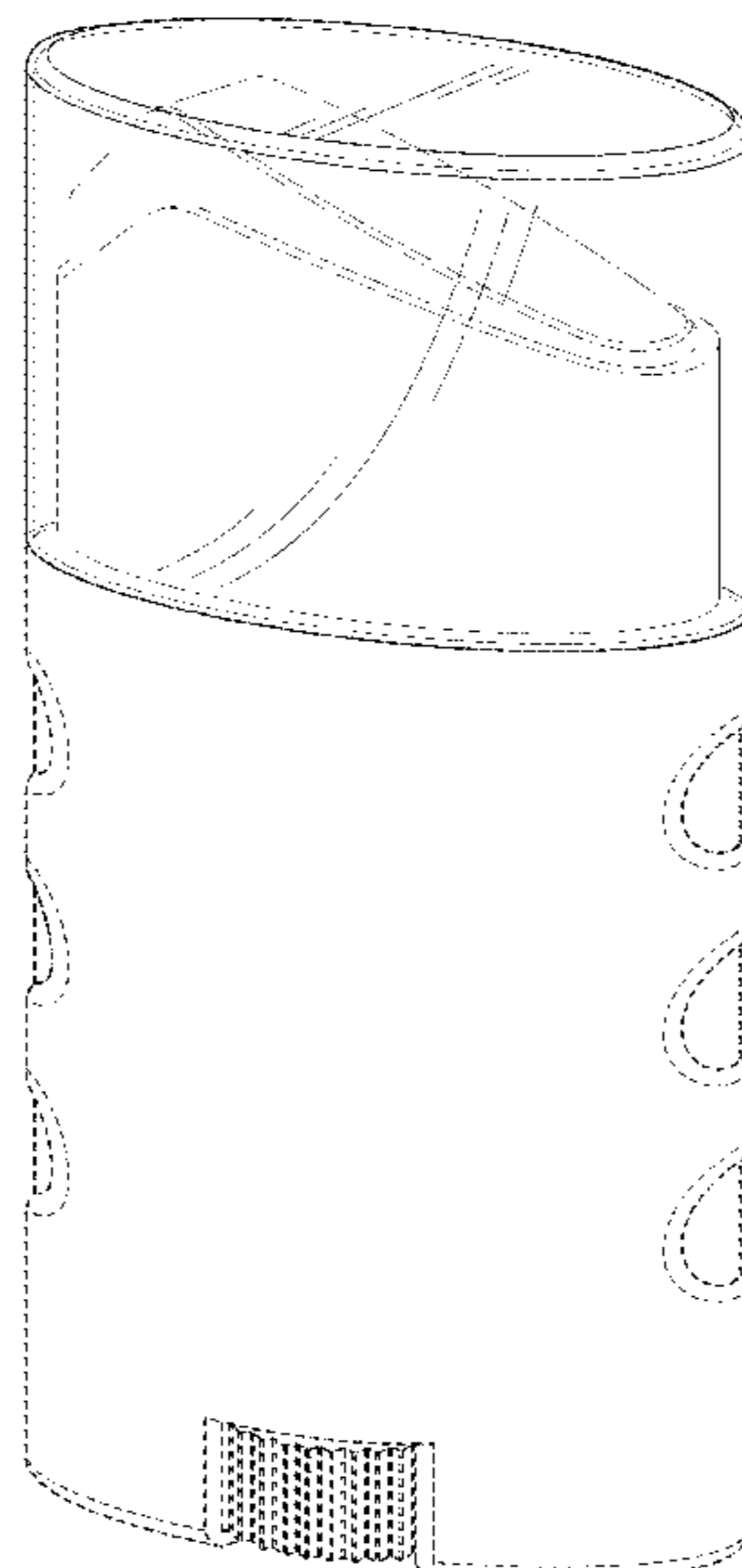
The broken lines shown represent unclaimed subject matter and form no part of the claimed design.

(56) **References Cited**

U.S. PATENT DOCUMENTS

D262,265 S \* 12/1981 Hadtke ..... D9/424  
D292,484 S \* 10/1987 Keeler ..... D9/573

**1 Claim, 12 Drawing Sheets**



(56)

**References Cited**

U.S. PATENT DOCUMENTS

D427,520	S *	7/2000	Crawford .....	D9/728
D456,941	S *	5/2002	Gersten .....	D28/4
6,419,412	B1 *	7/2002	Ostrowski .....	A45D 40/04 222/153.07
D462,431	S *	9/2002	Bunce .....	D23/366
D469,923	S *	2/2003	Gersten .....	D28/4
D474,963	S *	5/2003	Gersten .....	D9/727
D474,964	S *	5/2003	Gersten .....	D9/727
D478,186	S *	8/2003	Gersten .....	D28/4
D483,258	S *	12/2003	Cummings .....	D9/729
D494,059	S *	8/2004	Cummings .....	D9/729
D540,185	S *	4/2007	Cummings .....	D9/728
D540,186	S *	4/2007	Cummings .....	D9/728
D551,571	S *	9/2007	McConville .....	D9/728
8,827,582	B1 *	9/2014	Seymour .....	A45D 34/04 401/10
D724,444	S *	3/2015	Chavarria .....	D9/729
2006/0159511	A1 *	7/2006	Seager .....	A45D 40/06 401/194
2007/0177929	A1 *	8/2007	Yugas .....	A45D 34/04 401/262
2008/0095566	A1 *	4/2008	Thiebaut .....	A45D 40/02 401/52
2015/0272300	A1 *	10/2015	Schreiber .....	A46B 3/18 401/129
2015/0282591	A1 *	10/2015	Crawford .....	A45D 40/04 132/200
2016/0249729	A1 *	9/2016	Hermouet .....	A45D 40/065 401/68

\* cited by examiner

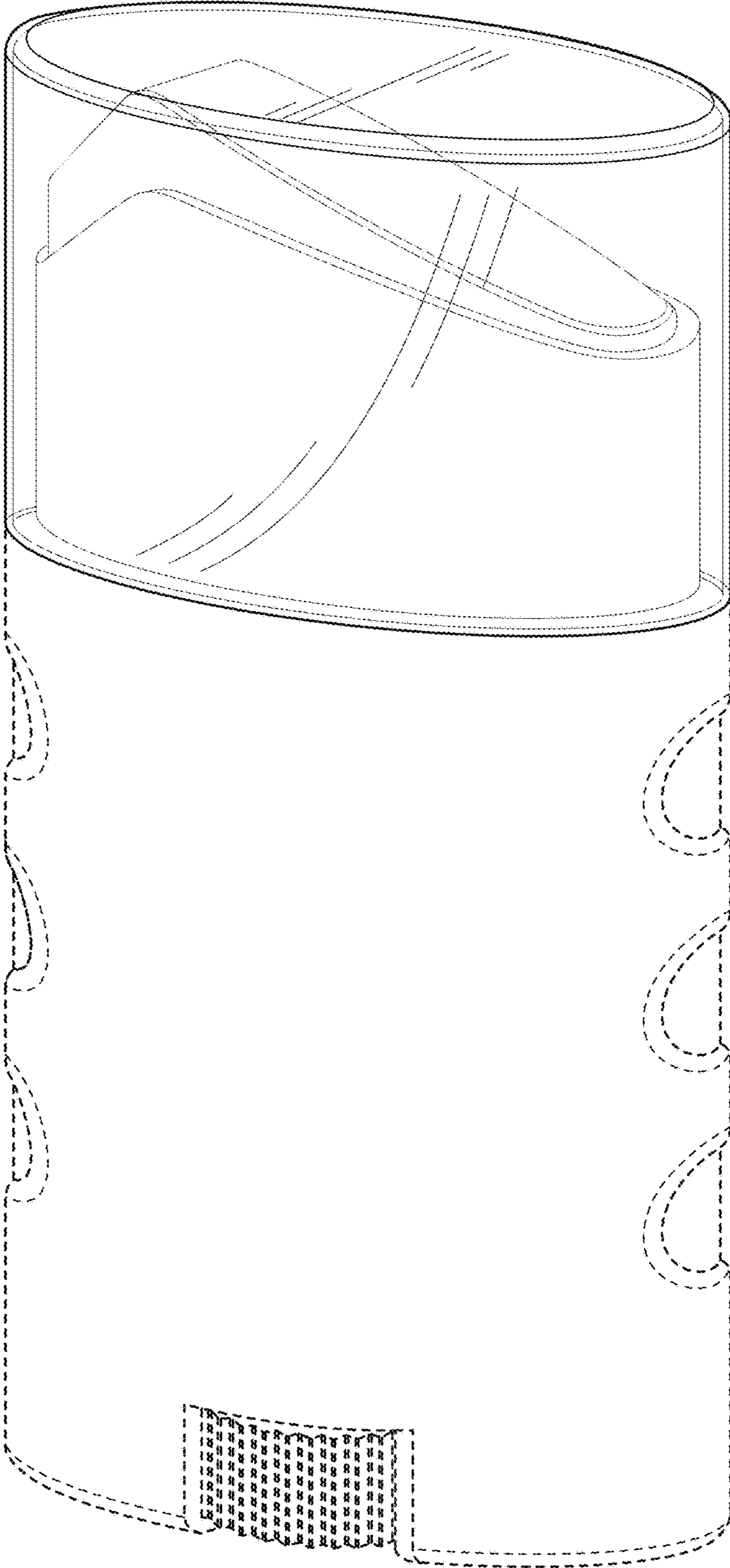


FIG. 1

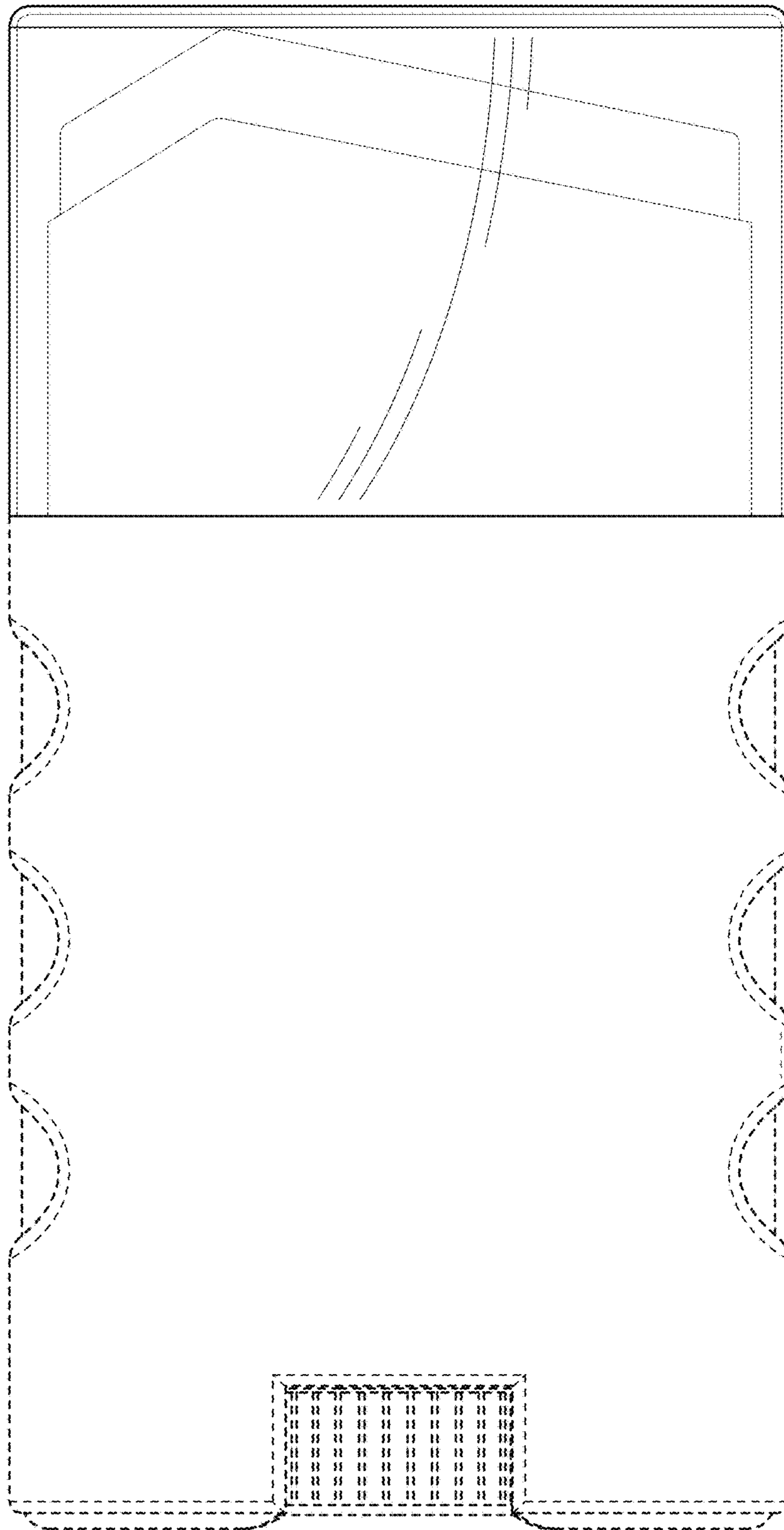


FIG. 2

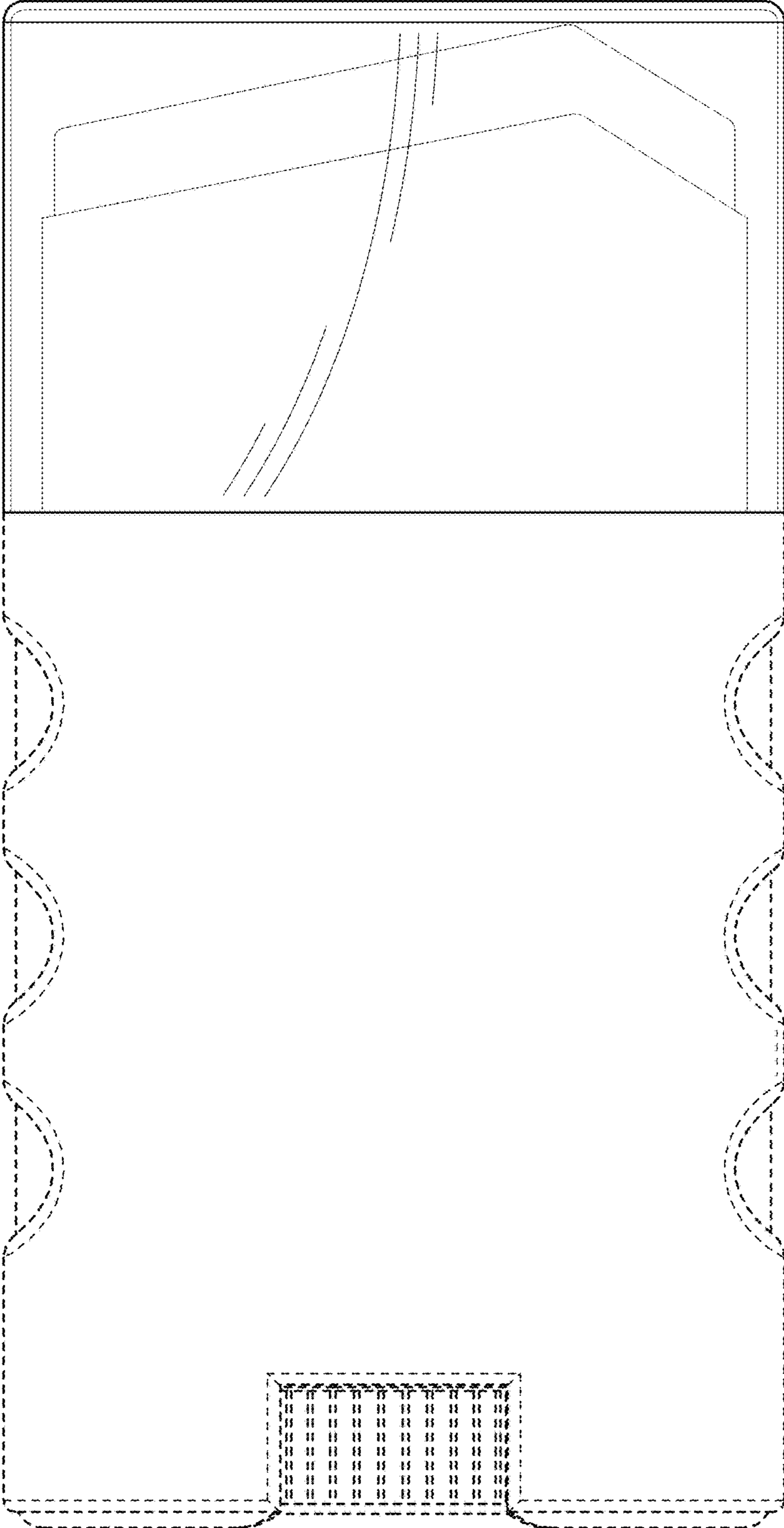


FIG. 3



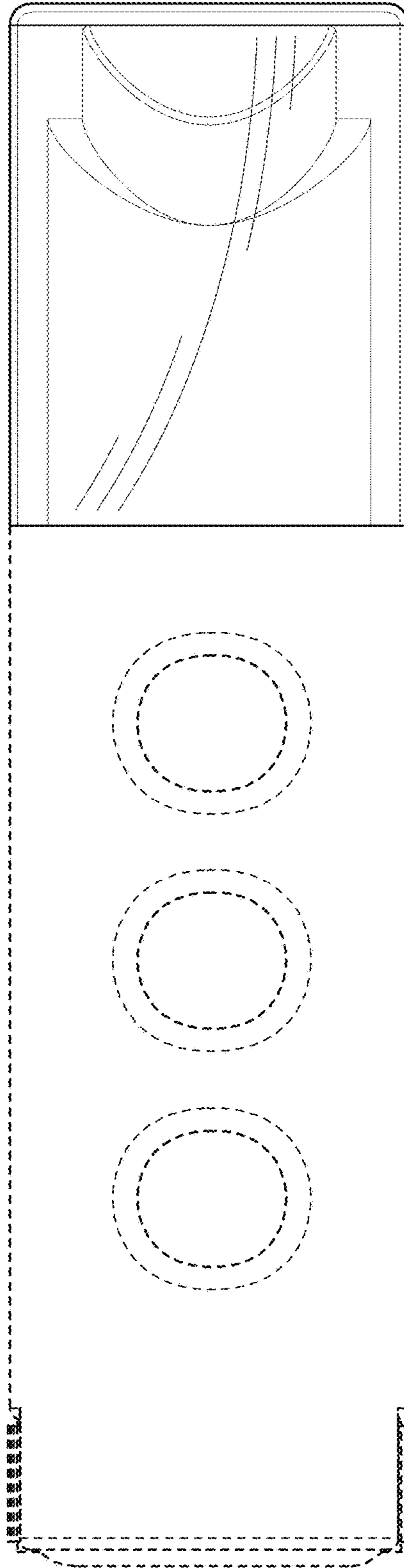


FIG. 4

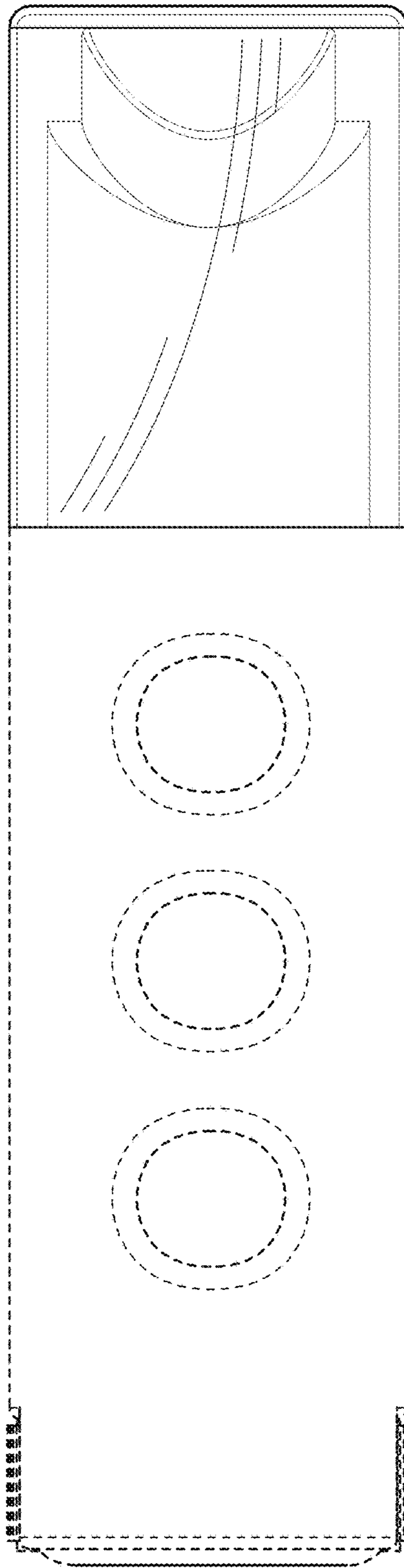


FIG. 5

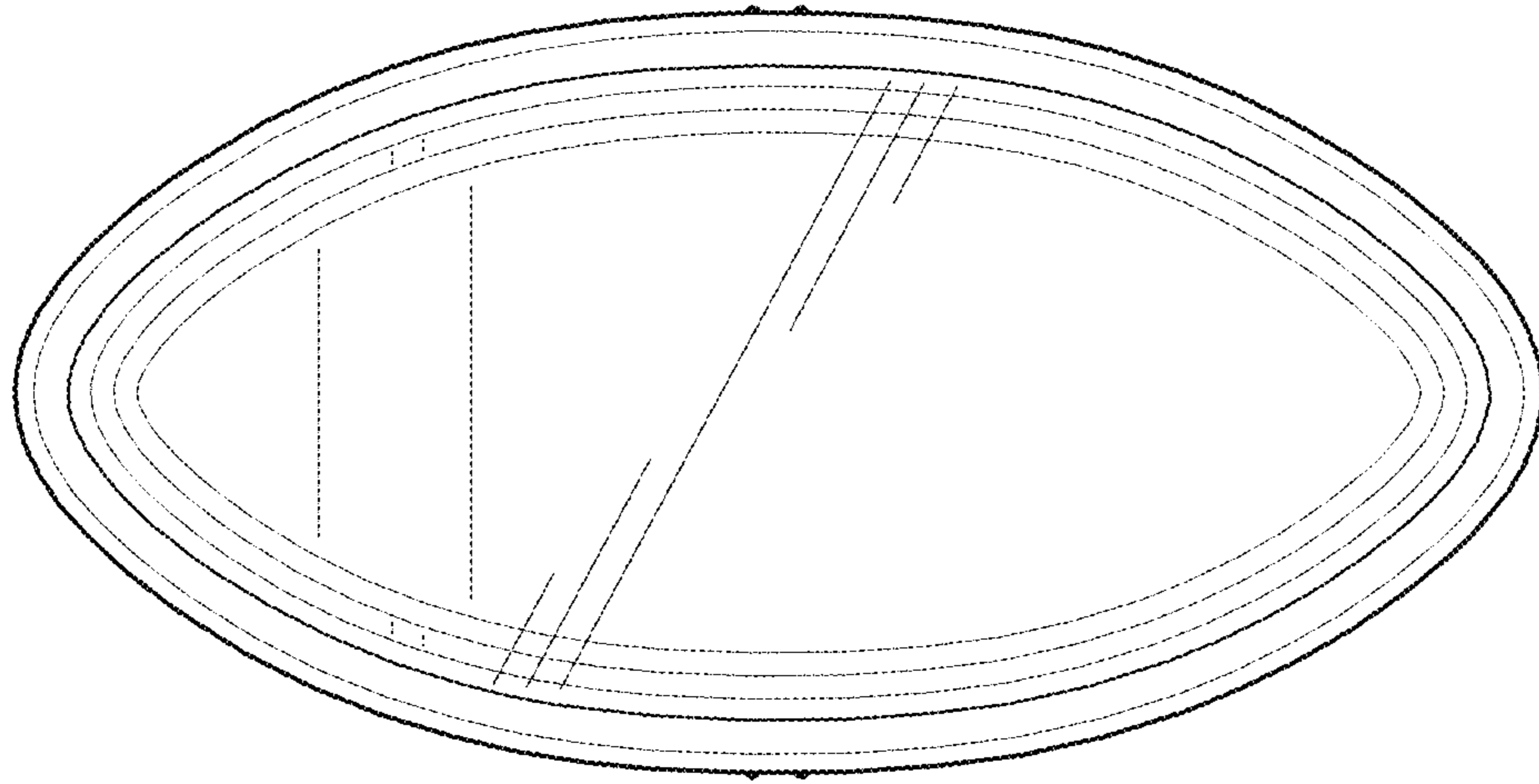


FIG. 6

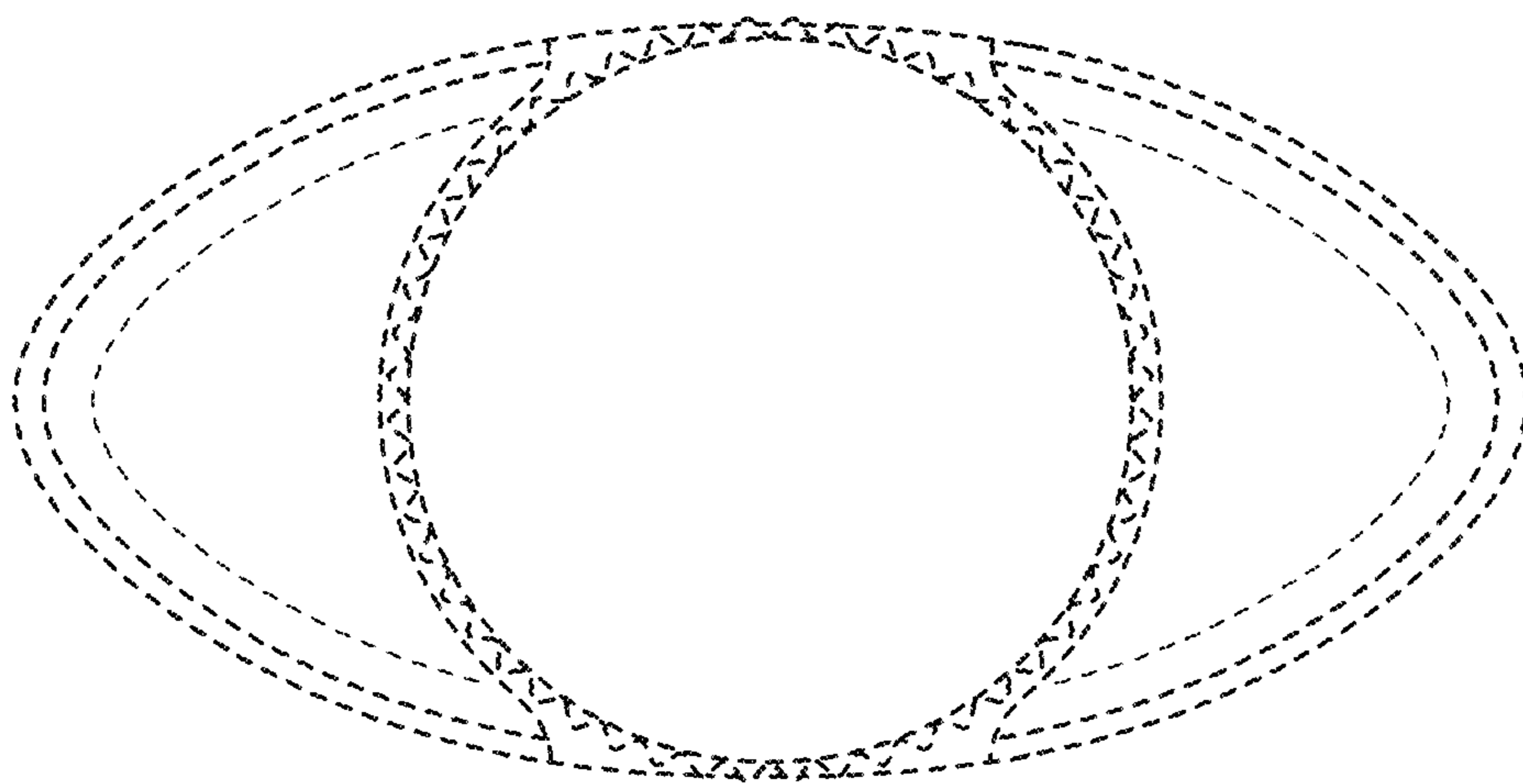


FIG. 7



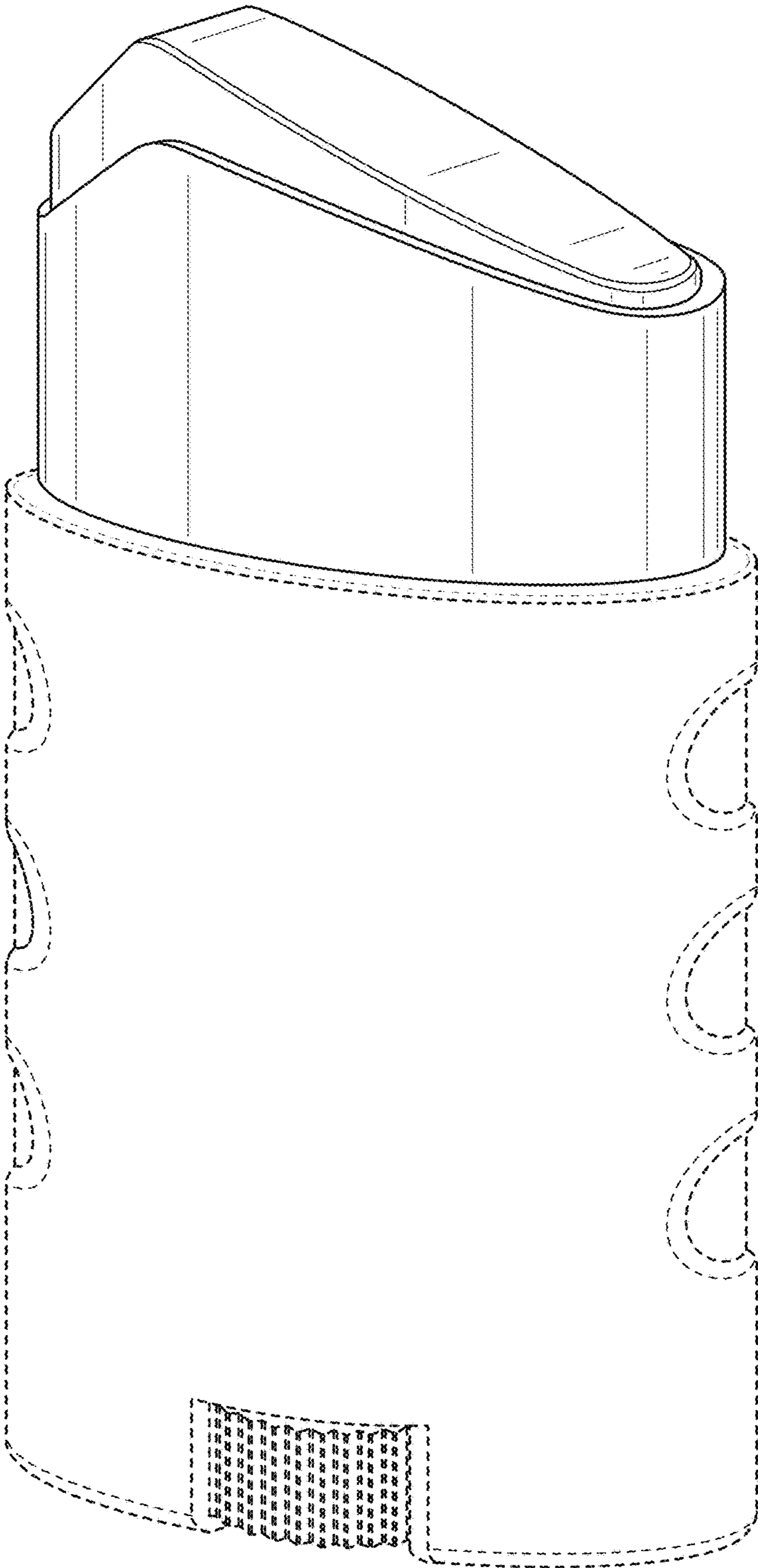


FIG. 8

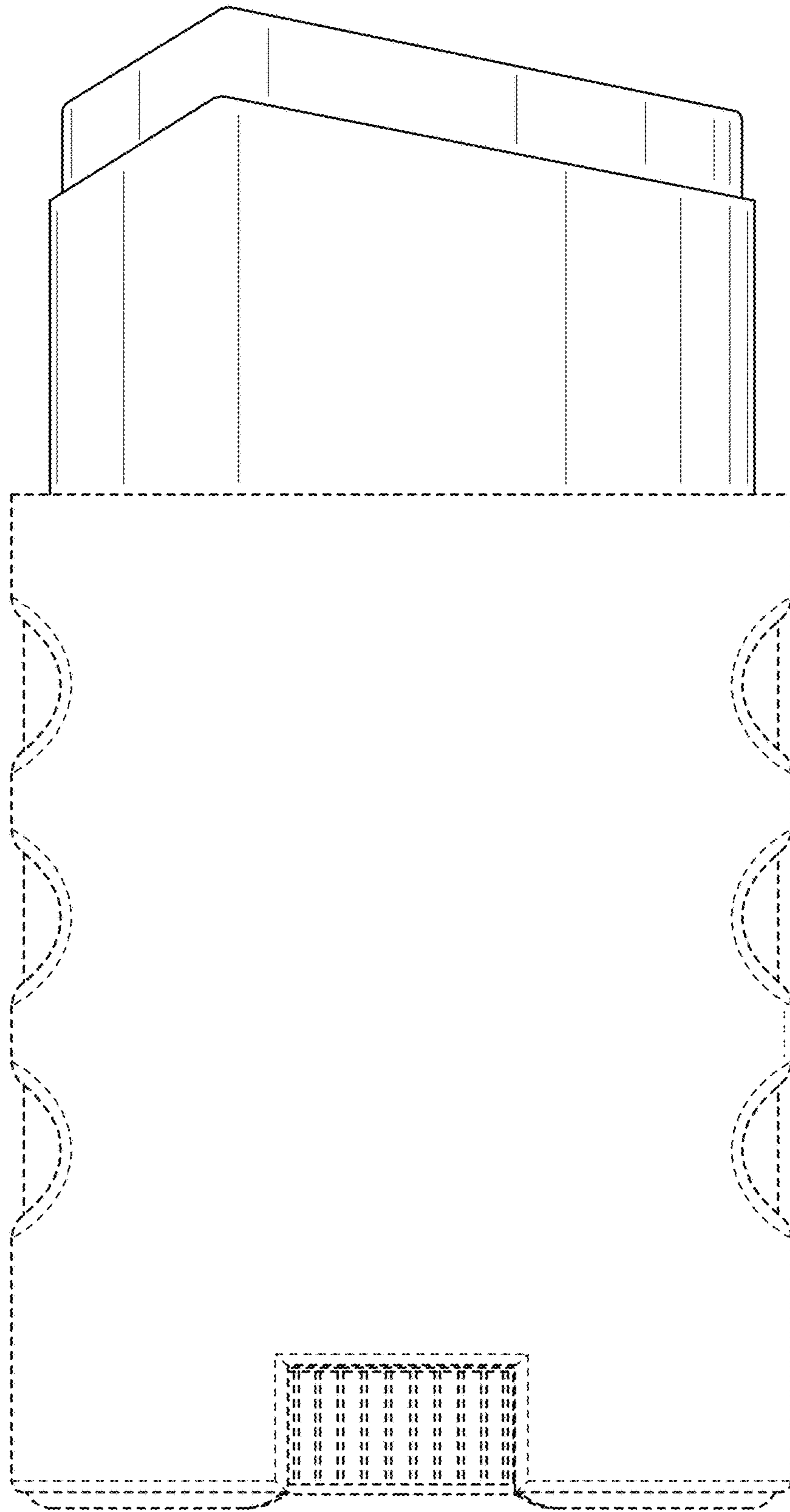


FIG. 9

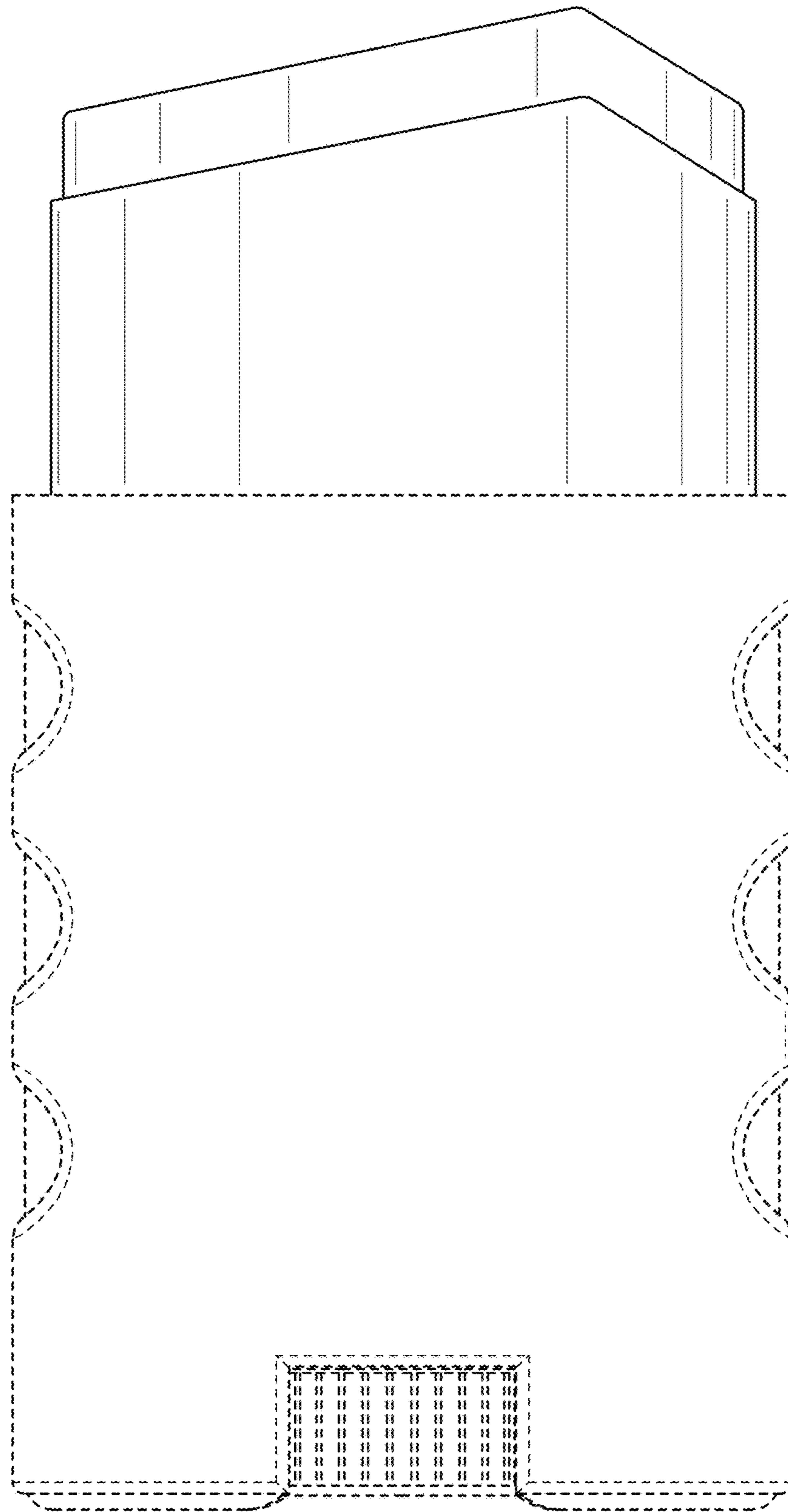


FIG. 10

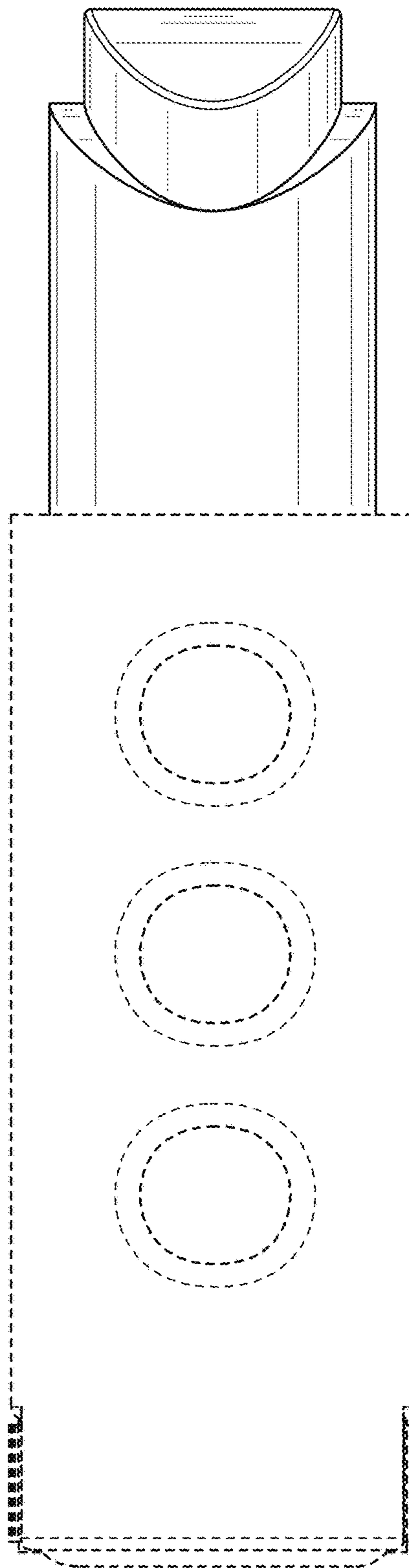


FIG. 11

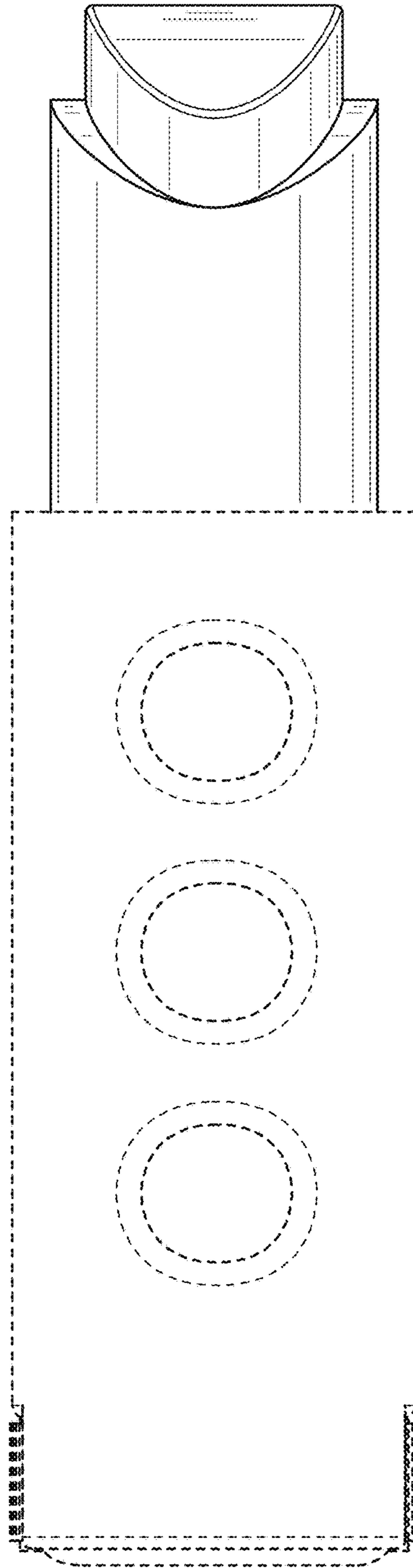


FIG. 12



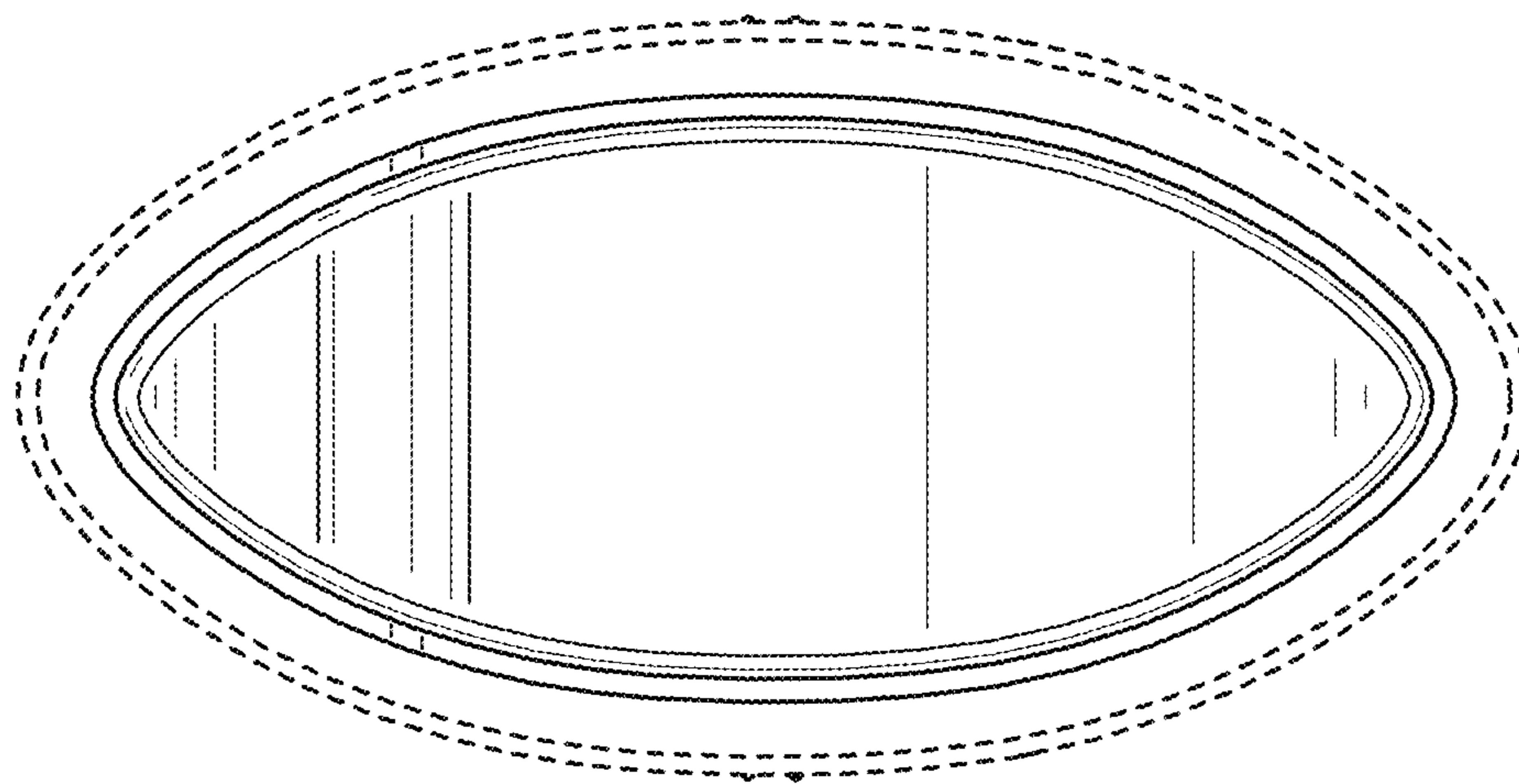


FIG. 13

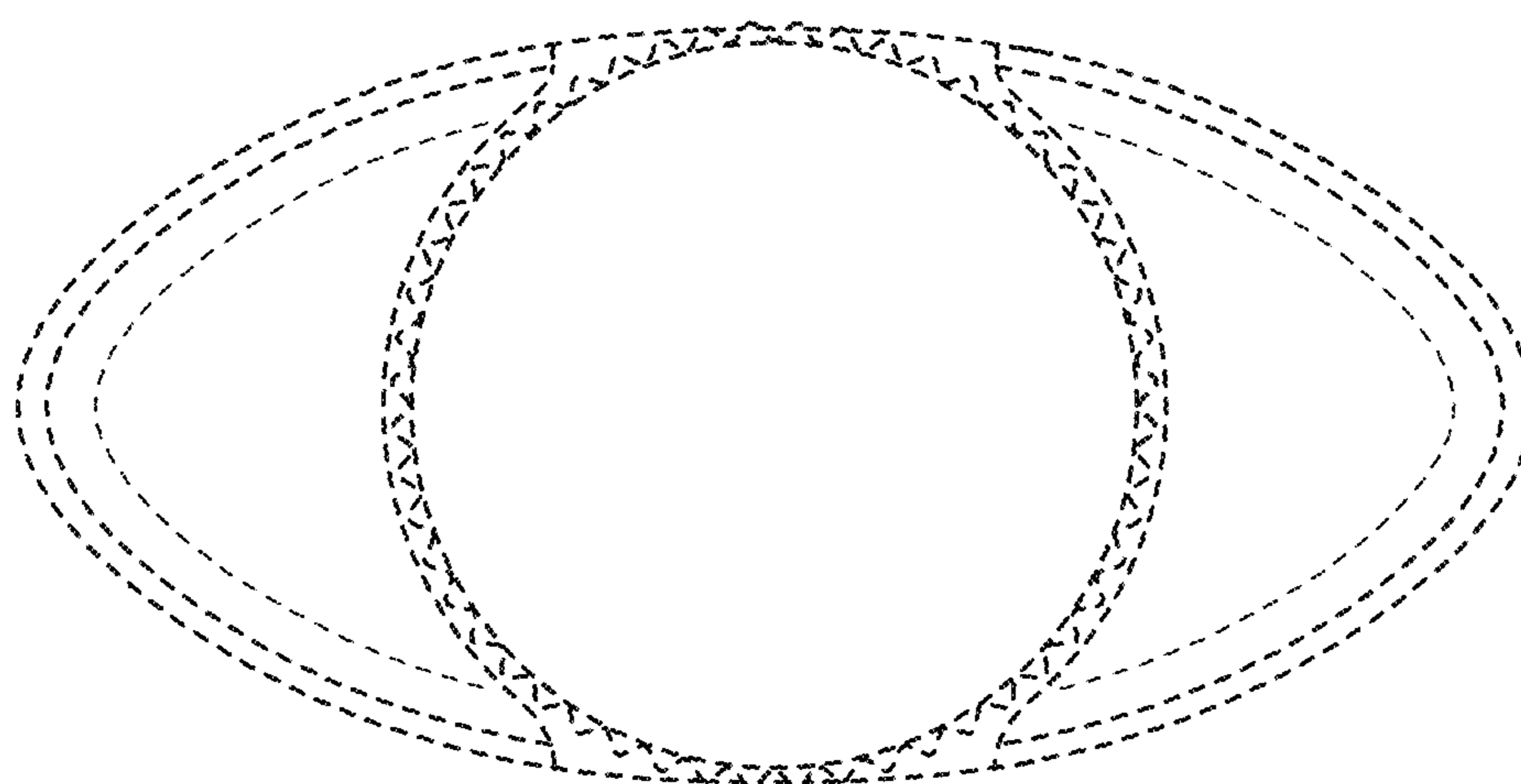


FIG. 14