



US00D783418S

(12) **United States Design Patent**
Menkin

(10) **Patent No.:** **US D783,418 S**

(45) **Date of Patent:** **** Apr. 11, 2017**

(54) **CONTAINER WITH APPLICATOR TIP AND LID**

(71) Applicant: **Swipe Cosmetics, LLC**, Sandy Springs, GA (US)

(72) Inventor: **Jessica Menkin**, Marietta, GA (US)

(73) Assignee: **Swipe Cosmetics, LLC**, Sandy Springs, GA (US)

(**) Term: **15 Years**

(21) Appl. No.: **29/538,100**

(22) Filed: **Sep. 1, 2015**

(51) **LOC (10) Cl.** **09-01**

(52) **U.S. Cl.**
USPC **D9/723**

(58) **Field of Classification Search**

USPC D3/247, 249-253, 303; D9/415, 416;
D14/385, 411, 435, 436; D28/5, 7;
132/294, 297, 301, 320; 206/38, 237;
345/168; 439/141, 144; 455/575.4;
710/74, 300, 301

CPC G06K 7/0047; G06K 19/005; G06K
19/07741; G09F 23/10; H05K 5/0278

See application file for complete search history.

(56) **References Cited**

U.S. PATENT DOCUMENTS

4,883,079	A	11/1989	Sakamaki et al.	
5,013,173	A	5/1991	Shiraishi	
5,678,939	A	10/1997	Ross	
5,791,474	A *	8/1998	Hansen	A45C 11/182 206/38
D460,453	S *	7/2002	Homma	D14/435
6,505,632	B1	1/2003	Toll et al.	
6,585,112	B2	7/2003	Levin et al.	
6,957,737	B1 *	10/2005	Frederickson	G06Q 20/3437 206/449
D525,977	S *	8/2006	Yao	D14/436

(Continued)

OTHER PUBLICATIONS

Tool Logic Survival Card, announced Sep. 2009, [online], site visited Mar. 15, 2016. Available from Internet, <URL: <http://www.amazon.com>>.*

(Continued)

Primary Examiner — Ian Simmons

Assistant Examiner — Janice Lim

(74) *Attorney, Agent, or Firm* — Mathew L. Grell; Grell & Watson Patent Attorneys

(57) **CLAIM**

The ornamental design for a container with applicator tip and lid, as shown and described.

DESCRIPTION

FIG. 1 is a perspective view of a container with applicator tip and lid, shown with a partially enlarged section, showing my new design;

FIG. 2 is a bottom plan view thereof;

FIG. 3 is a side view thereof;

FIG. 4 is a front view thereof, and the back view being a mirror image thereof;

FIG. 5 is a top plan view thereof;

FIG. 6 is an exploded top plan view thereof;

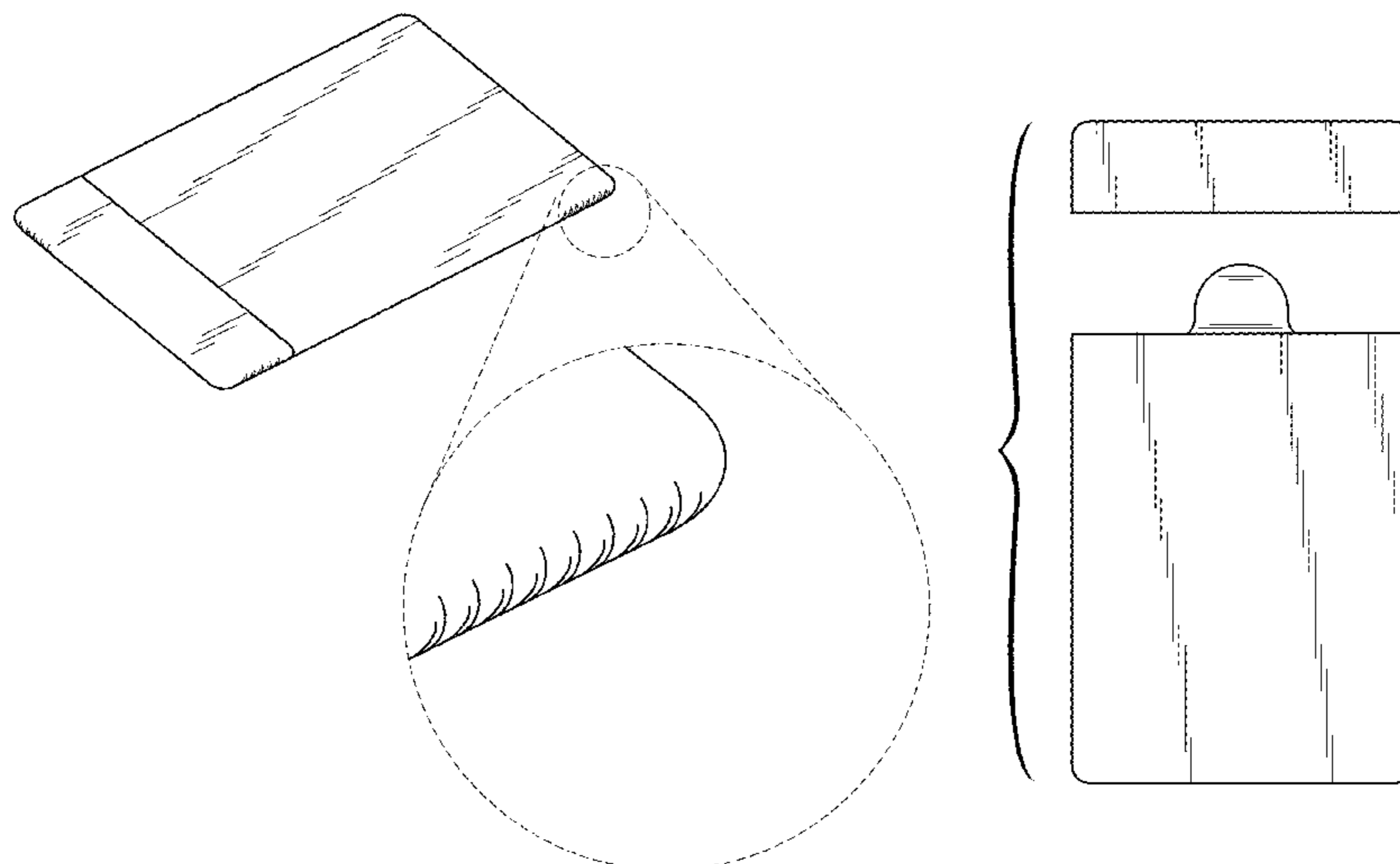
FIG. 7 is a back view of the lid thereof, shown without the container for ease of illustration;

FIG. 8 is a side view of the container thereof, shown without the lid for ease of illustration; and,

FIG. 9 is a front view of the container thereof, shown without the lid for ease of illustration.

The broken line portions of FIG. 1 are included to show partly enlarged section only and form no part of the claimed design.

1 Claim, 4 Drawing Sheets



(56)

References Cited

U.S. PATENT DOCUMENTS

D535,992 S * 1/2007 Ozolins D14/383
8,469,236 B2 6/2013 Kharas
D697,491 S * 1/2014 Daniel D14/138 G
8,726,914 B2 5/2014 Lim et al.
8,747,162 B2 * 6/2014 Sherry G06K 7/0021
439/630
2001/0043160 A1 * 11/2001 Hirai G06K 19/07743
343/702
2003/0071076 A1 * 4/2003 Tenzer A45D 34/02
222/385
2006/0207911 A1 9/2006 Bullock
2008/0023575 A1 * 1/2008 Trumble B05B 11/0037
222/135
2009/0020443 A1 1/2009 Kesselman
2009/0162129 A1 * 6/2009 Ferrari A45D 40/265
401/122
2009/0211591 A1 8/2009 Hwang
2012/0012126 A1 1/2012 Arrington
2012/0266910 A1 10/2012 Tarling et al.
2013/0221037 A1 8/2013 Klenovich
2015/0030368 A1 1/2015 Connolly et al.

OTHER PUBLICATIONS

Unikia Smilesaver, announced May 2014, [online], site visited Mar. 15, 2016. Available from Internet, <URL: <http://the-gadgeteer.com>>.*

* cited by examiner

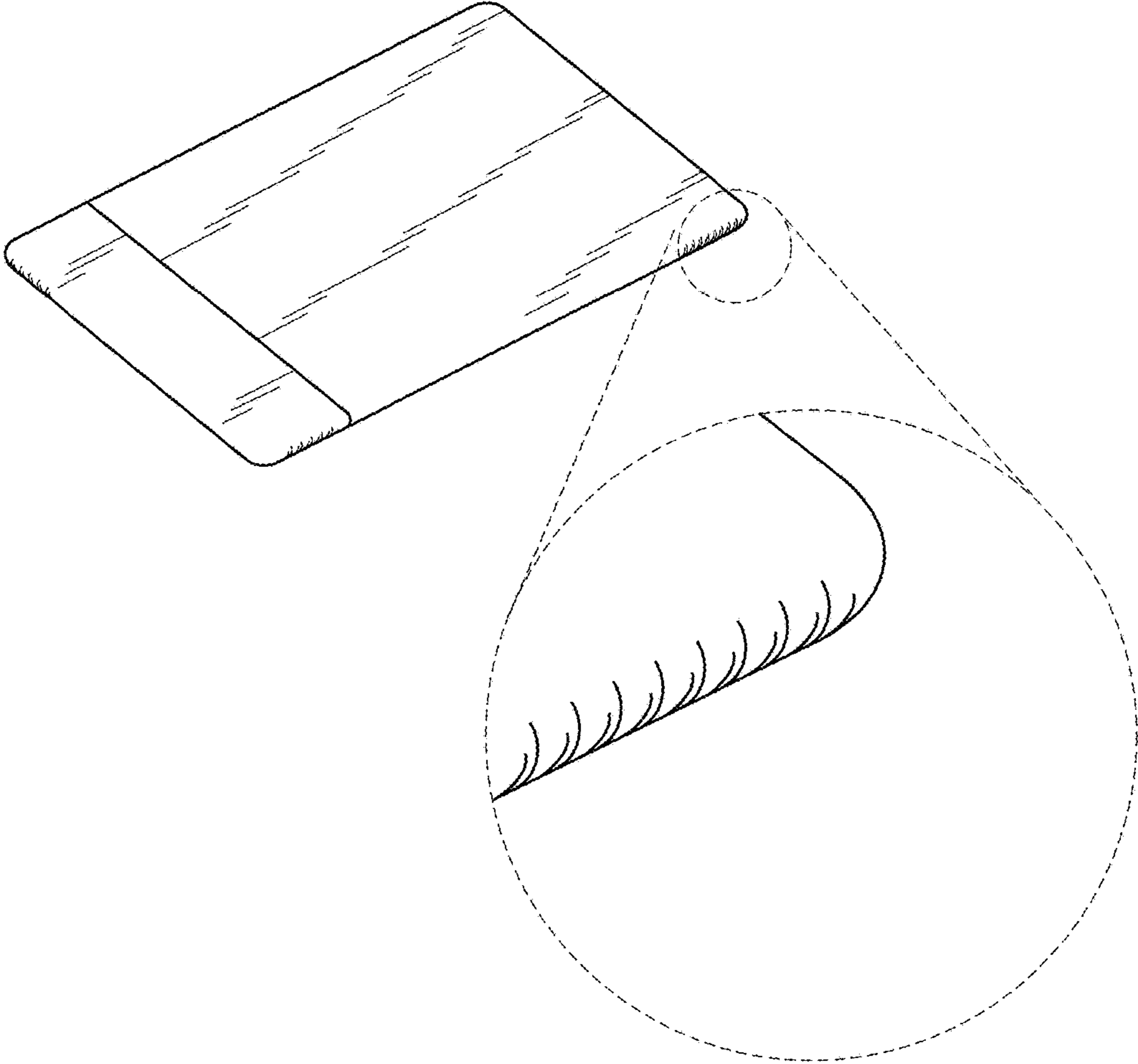


FIG. 1

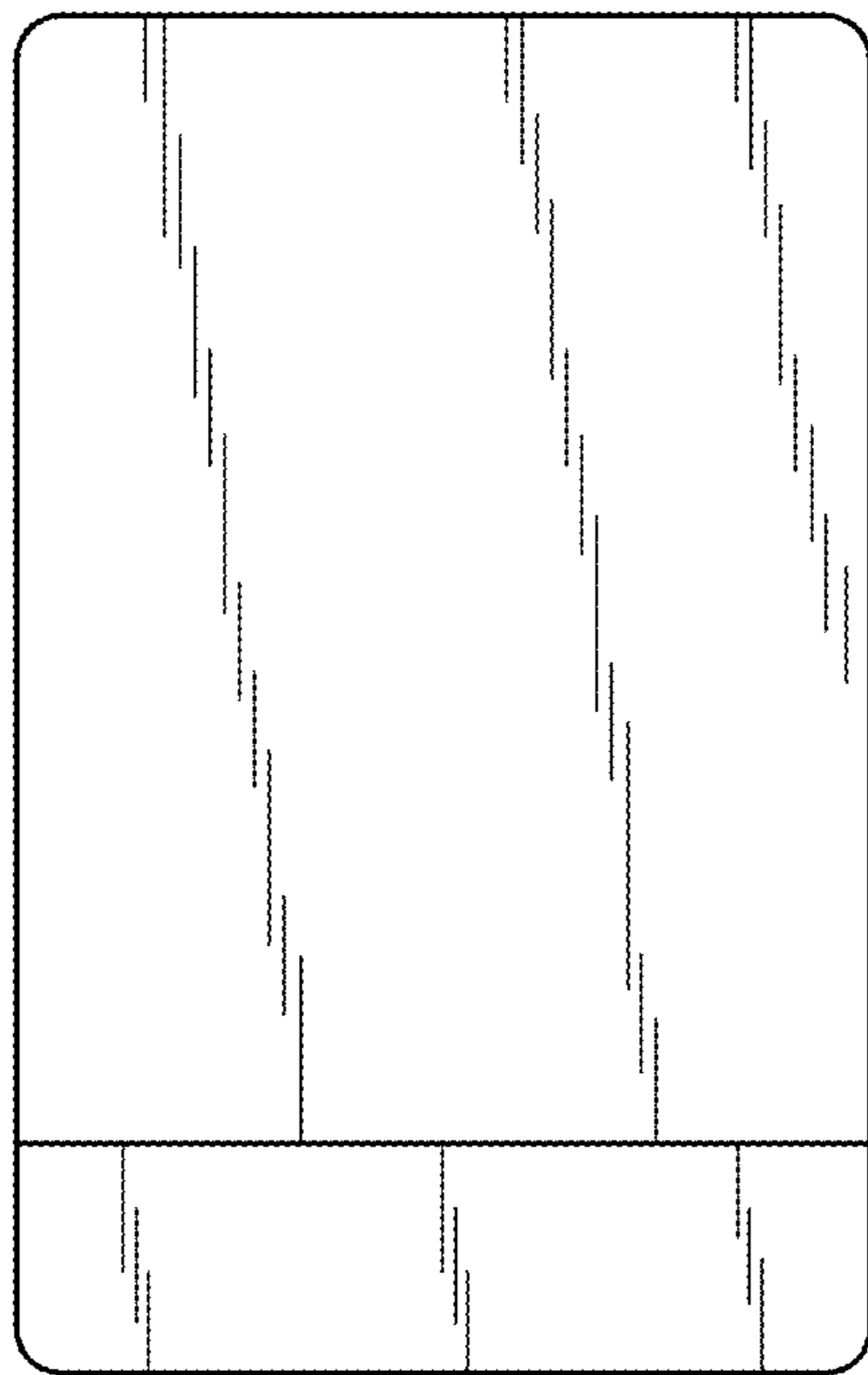


FIG. 2



FIG. 3

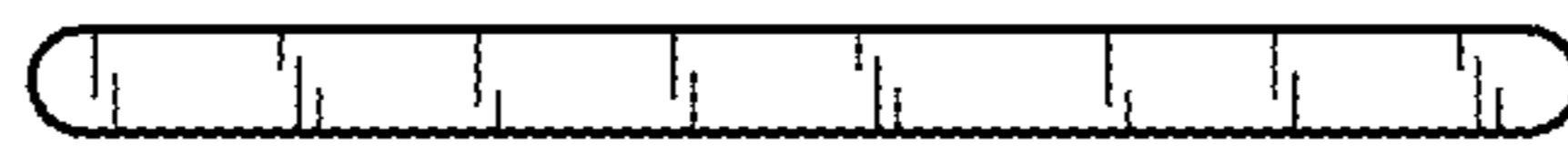


FIG. 4

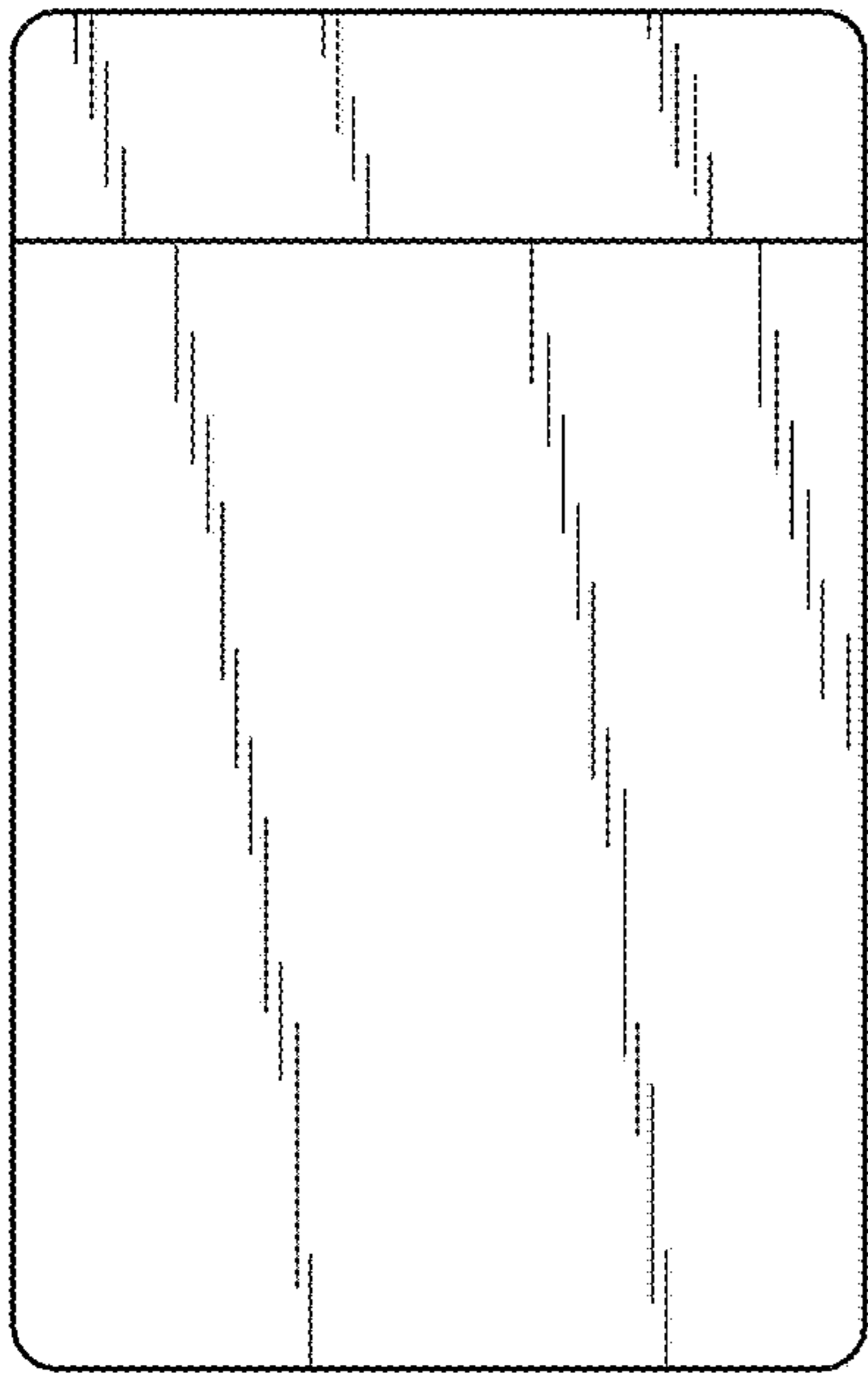


FIG. 5

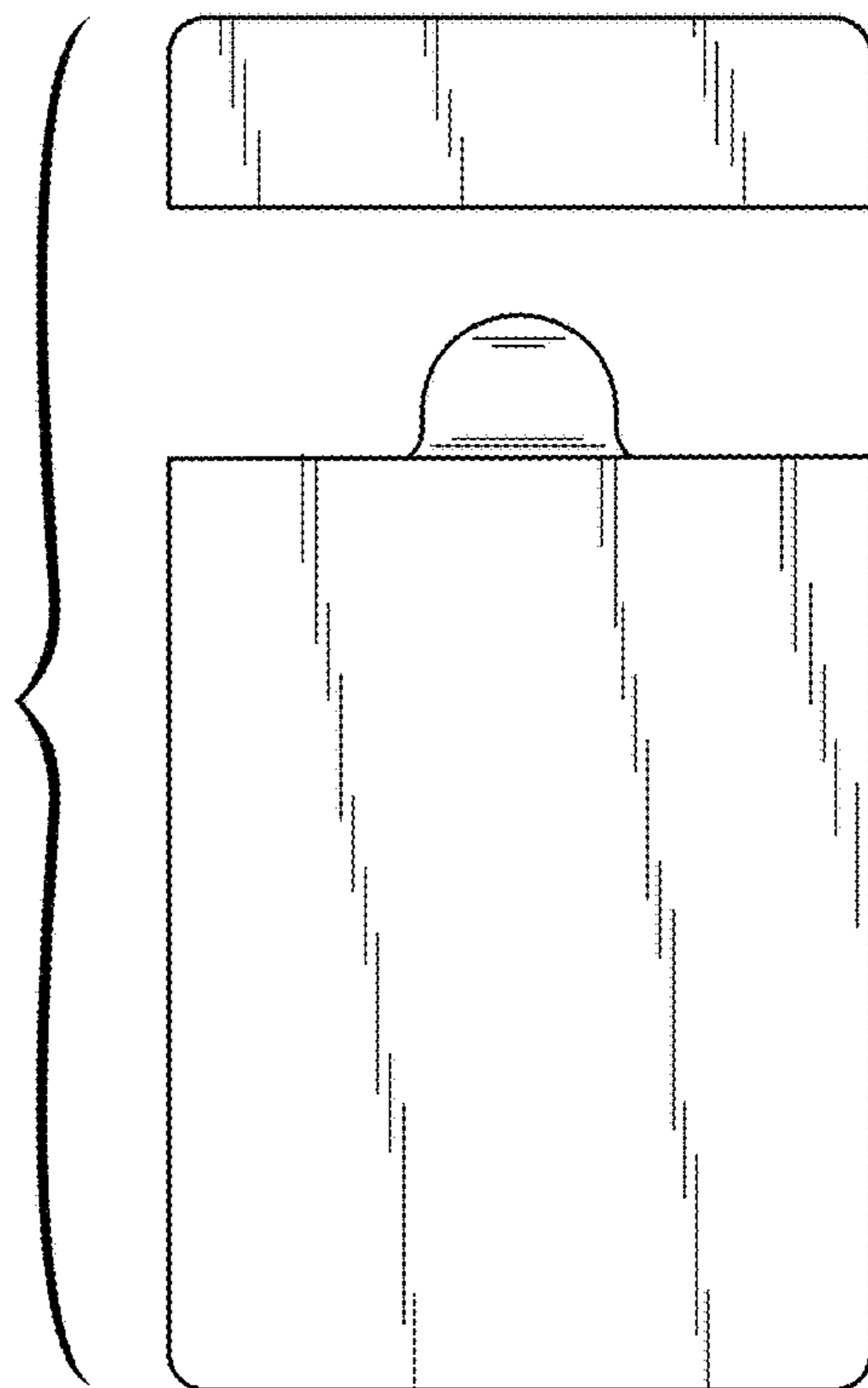


FIG. 6



FIG. 8



FIG. 7



FIG. 9