



US00D783412S

(12) **United States Design Patent** (10) **Patent No.:** **US D783,412 S**
Kessler, Jr. et al. (45) **Date of Patent:** **** Apr. 11, 2017**

(54) **GUSSET GRIP CONTAINER**
(71) Applicant: **Printpack Illinois, Inc.**, Elgin, IL (US)
(72) Inventors: **David J. Kessler, Jr.**, Atlanta, GA (US); **Brenton Holloway**, Smyrna, GA (US); **Mark Ronald Brogan**, Atlanta, GA (US)
(73) Assignee: **Printpack Illinois, Inc.**, Elgin, IL (US)
(**) Term: **14 Years**

D601,417 S * 10/2009 Berman D9/431
D658,075 S * 4/2012 Umenaka D9/708
D676,763 S * 2/2013 Kenmotsu D9/707
D716,151 S * 10/2014 Bell D9/708
2008/0253696 A1 10/2008 Haas et al.

* cited by examiner

Primary Examiner — Abraham Bahta
(74) *Attorney, Agent, or Firm* — Eversheds Sutherland (US) LLP

(21) Appl. No.: **29/513,220**
(22) Filed: **Dec. 29, 2014**
(51) **LOC (10) Cl.** **09-05**
(52) **U.S. Cl.**
USPC **D9/702**
(58) **Field of Classification Search**
USPC D9/702–714, 720–722, 414, 434–435, D9/696, 716, 771, 447; D24/118, 207; 383/6, 9, 22, 96, 61.1, 80–81, 104, 901, 383/63, 203, 120, 123; 222/107, 92, 206; 604/408, 410, 403; 220/495.03
CPC B65D 33/00; B65D 33/06; B65D 33/08; B65D 33/10; B65D 1/02; B65D 1/10; B65D 1/22; B65D 31/04; B65D 31/10; B65D 31/16; B31B 1/90; B31B 1/60; B31B 1/84
See application file for complete search history.

(57) **CLAIM**

The ornamental design for a gusset grip container, as shown and described.

DESCRIPTION

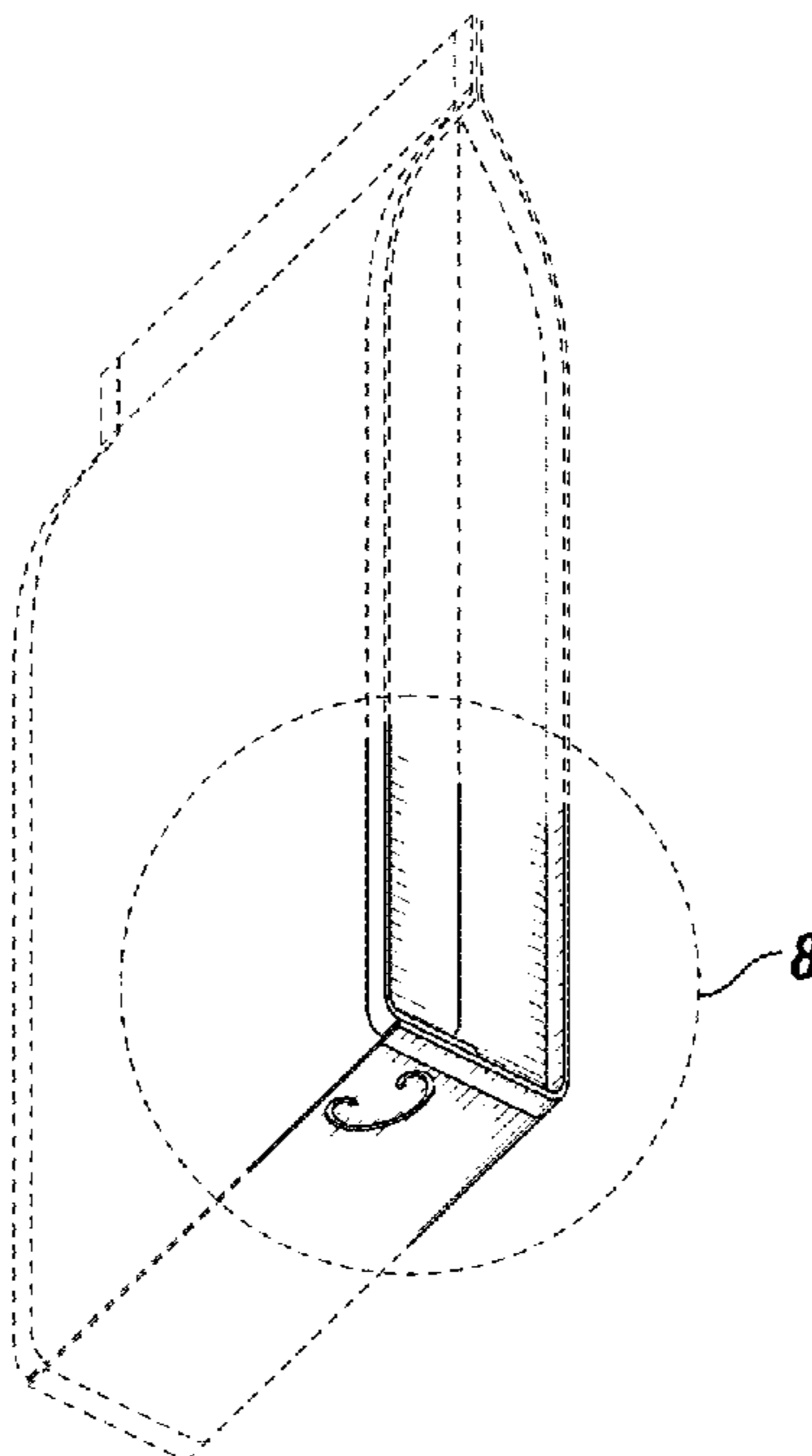
FIG. 1 is a bottom perspective view of a gusset grip container showing our new design;
FIG. 2 is a front view thereof;
FIG. 3 is a rear view thereof;
FIG. 4 is a first side view thereof;
FIG. 5 is a second side view thereof;
FIG. 6 is a top view thereof; and
FIG. 7 is a bottom view thereof; and,
FIG. 8 is an enlarged view taken from the encircled portion of FIG. 1.

The broken lines represent portions of the gusset grip container, are for illustrative purposes only, and form no part of the claimed design.

(56) **References Cited**
U.S. PATENT DOCUMENTS

D532,702 S * 11/2006 Berman D9/708
D583,680 S * 12/2008 Berman D9/707

1 Claim, 3 Drawing Sheets



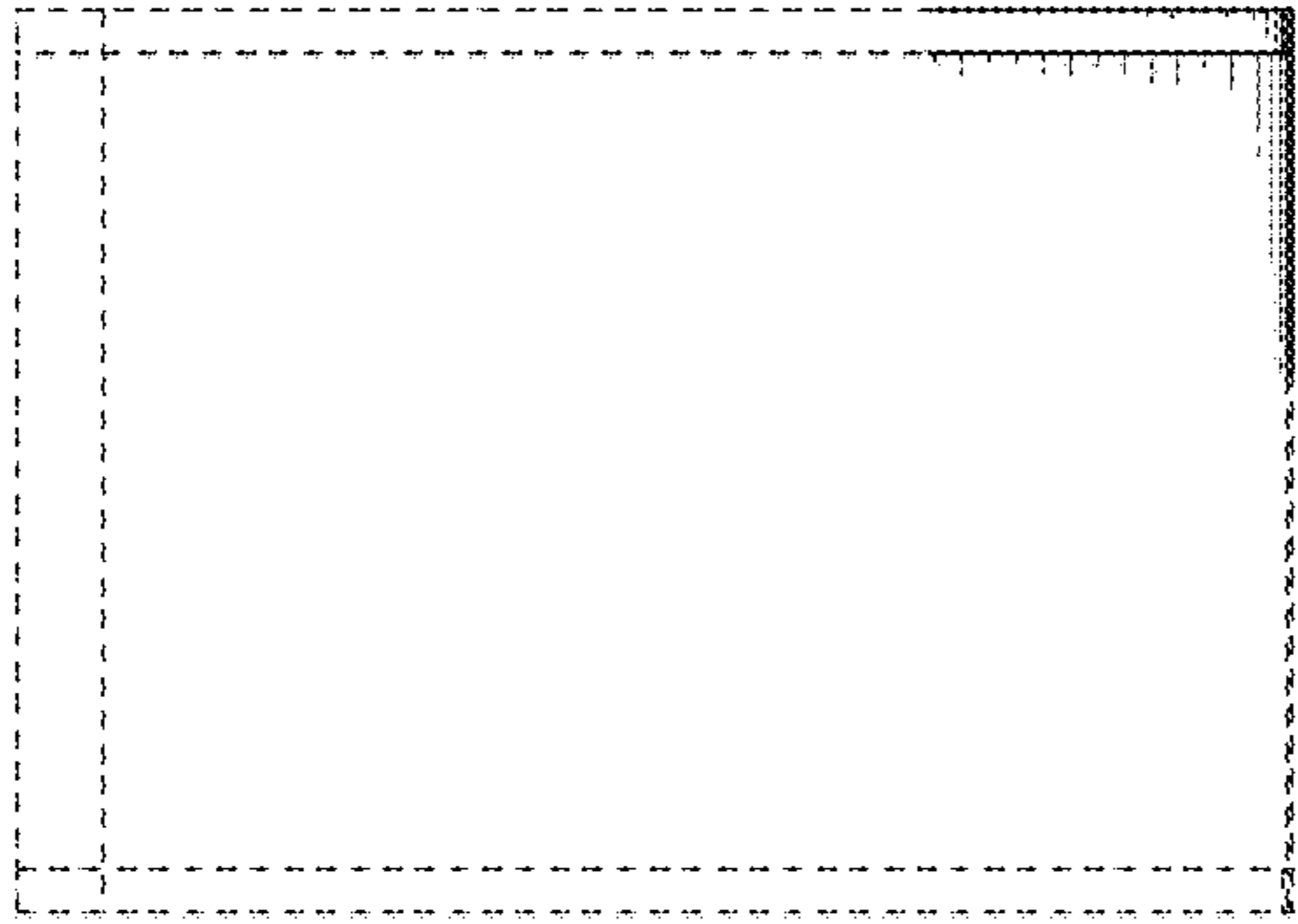


FIG. 2

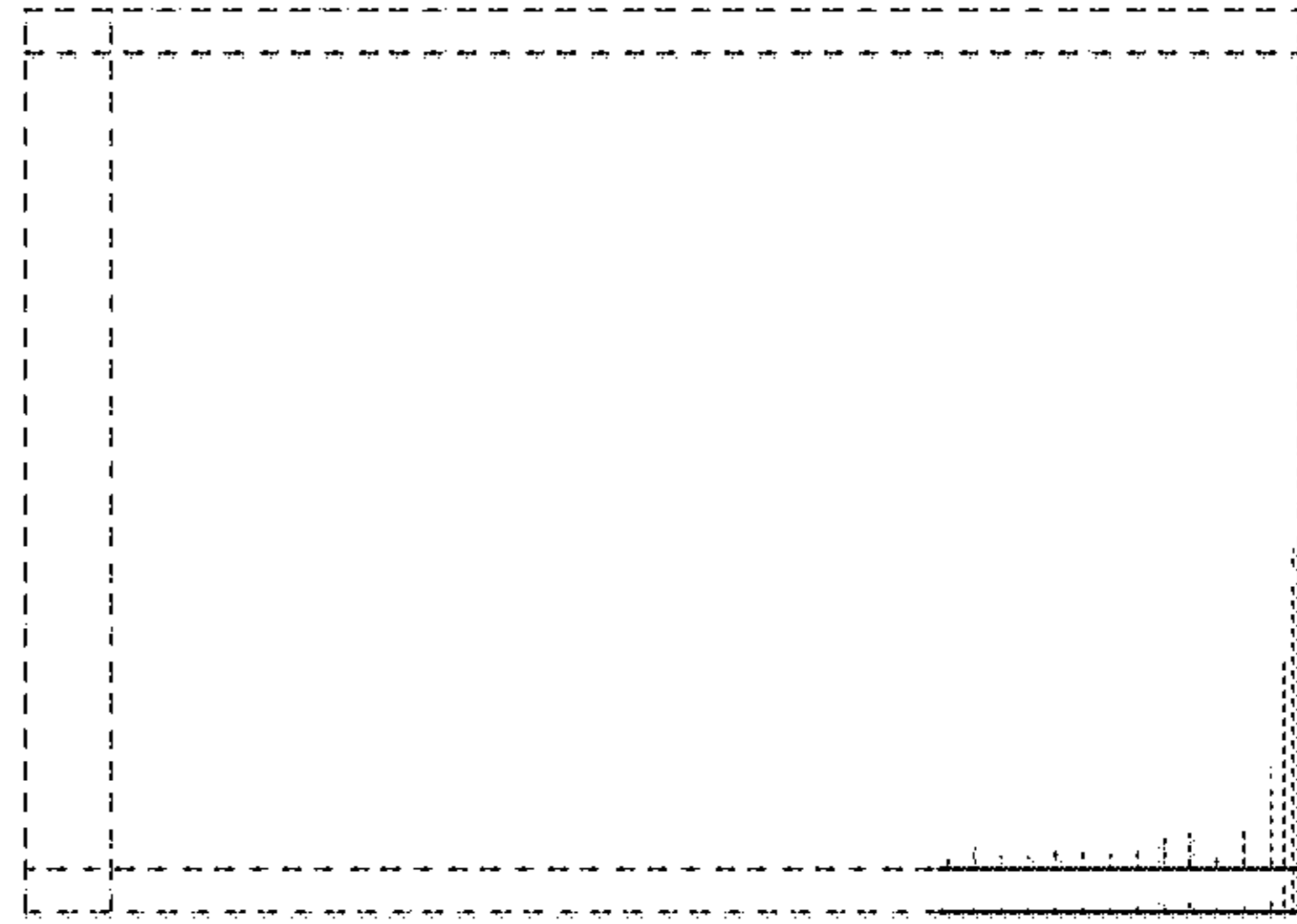


FIG. 3

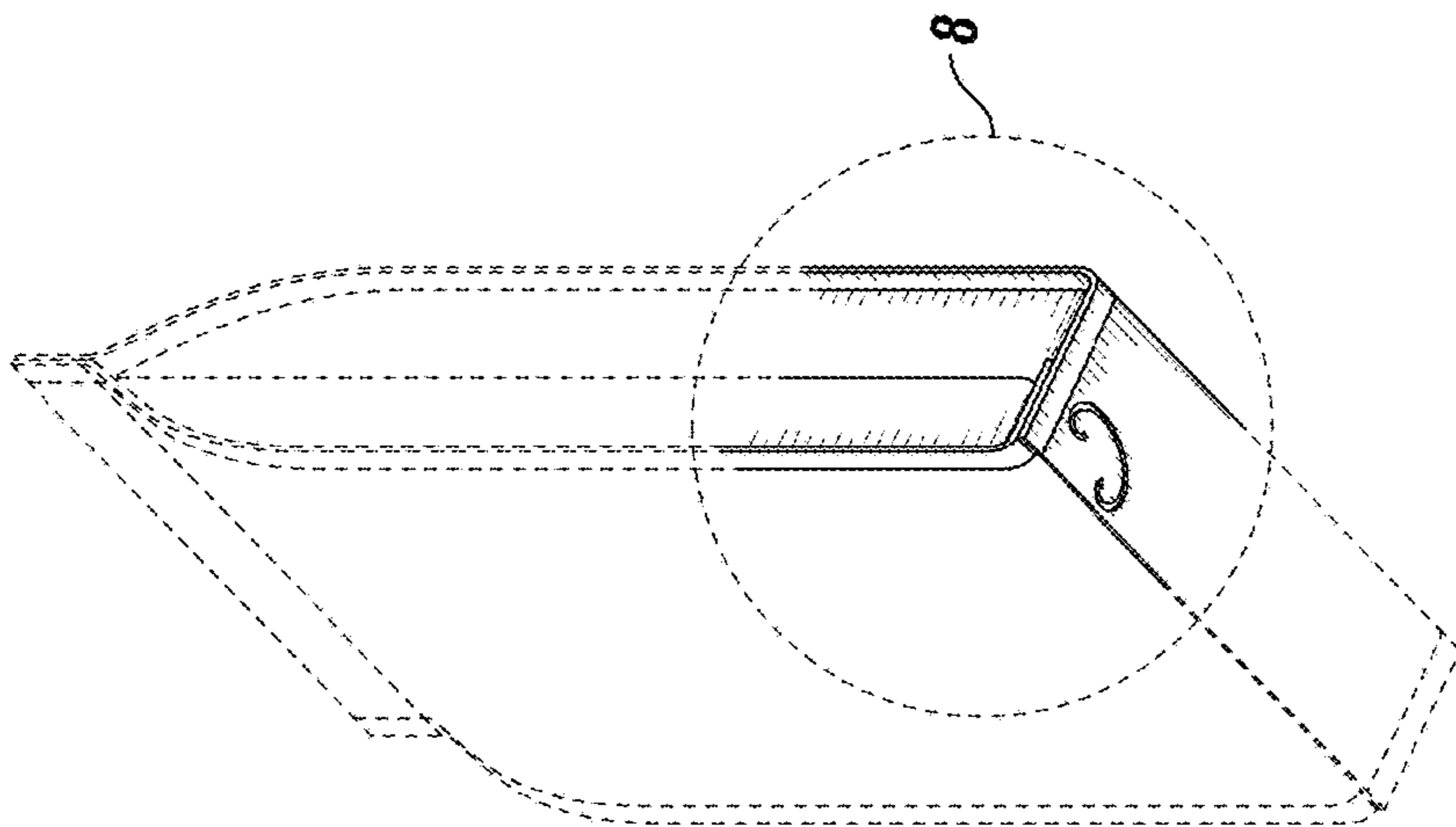


FIG. 1

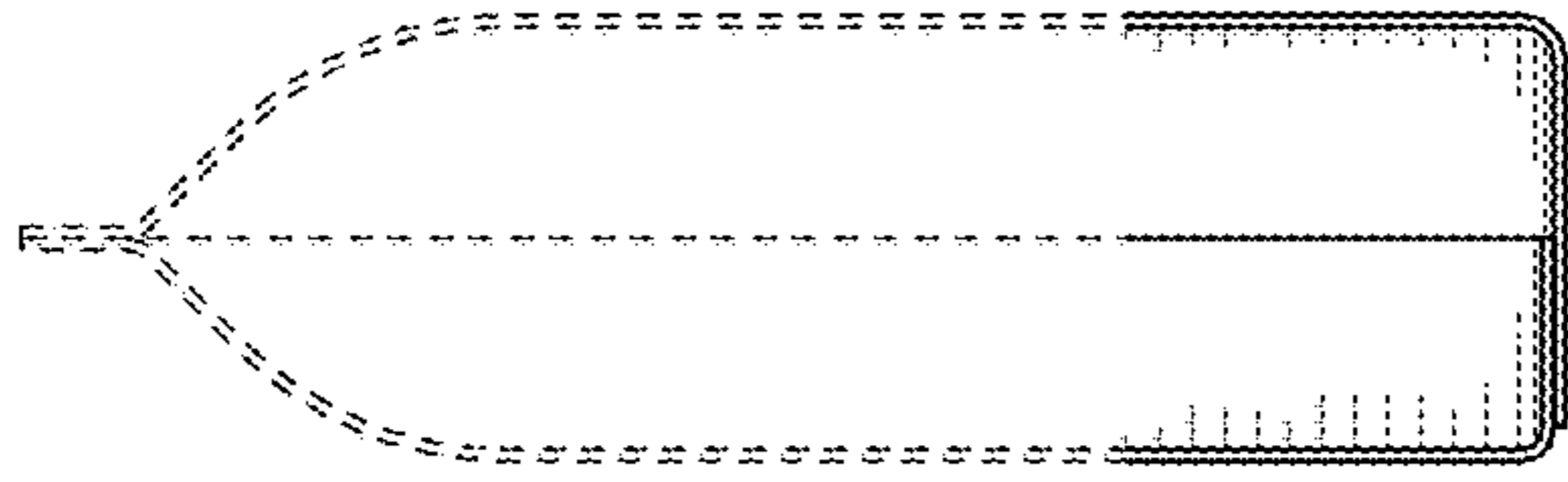


FIG. 5

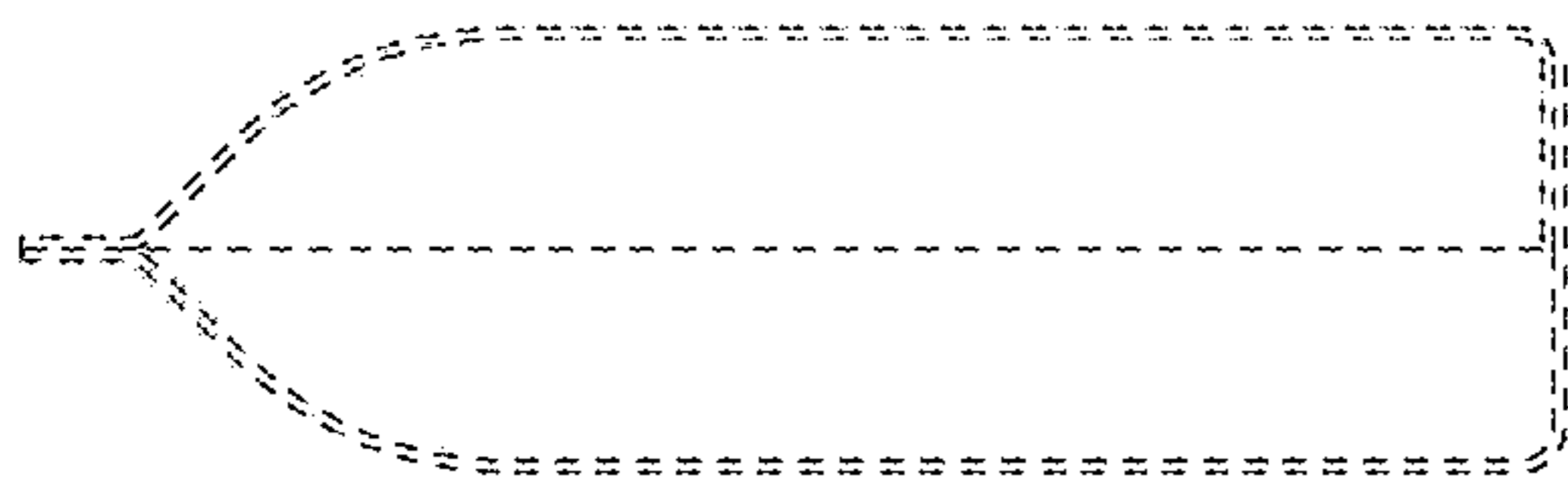


FIG. 4

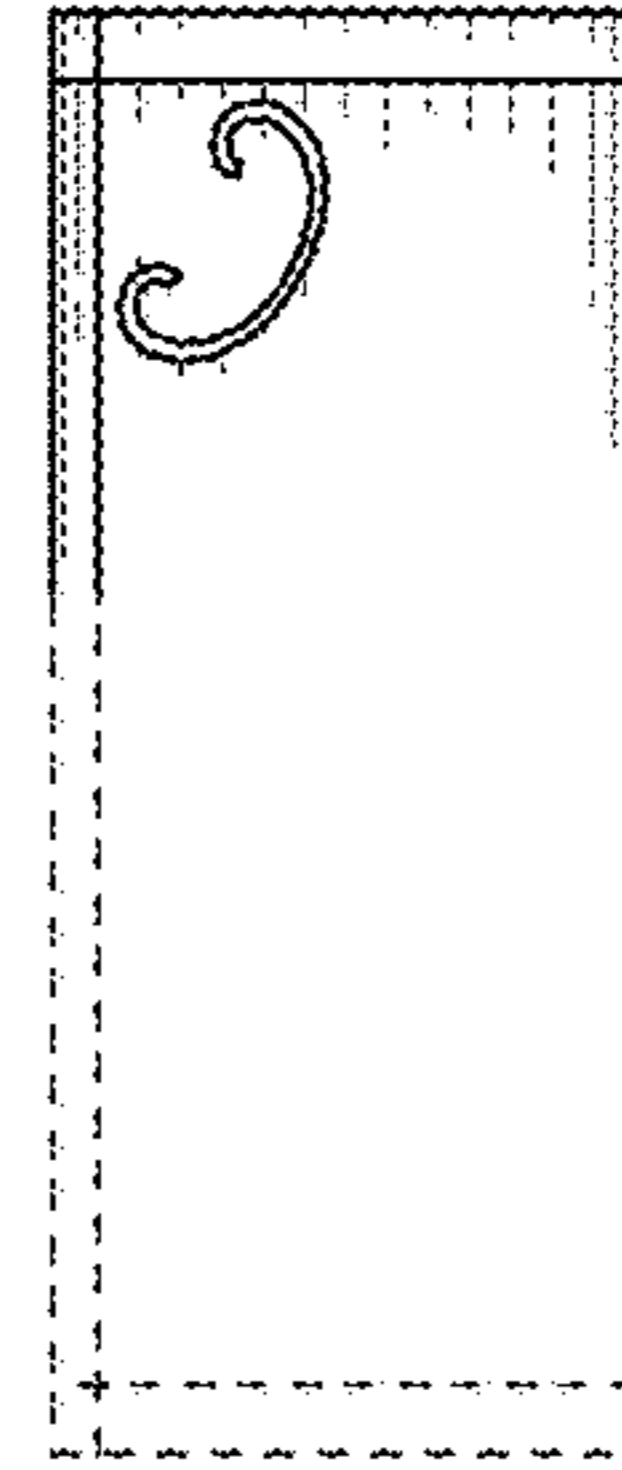


FIG. 7

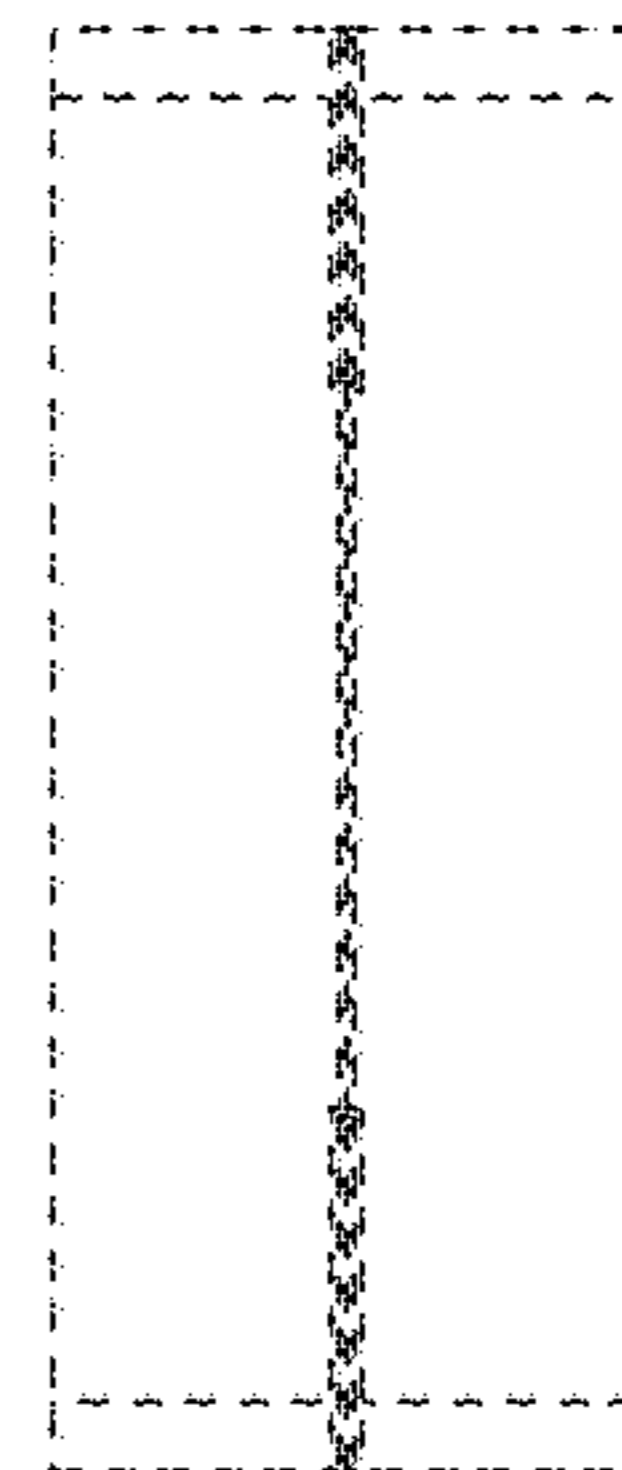


FIG. 6

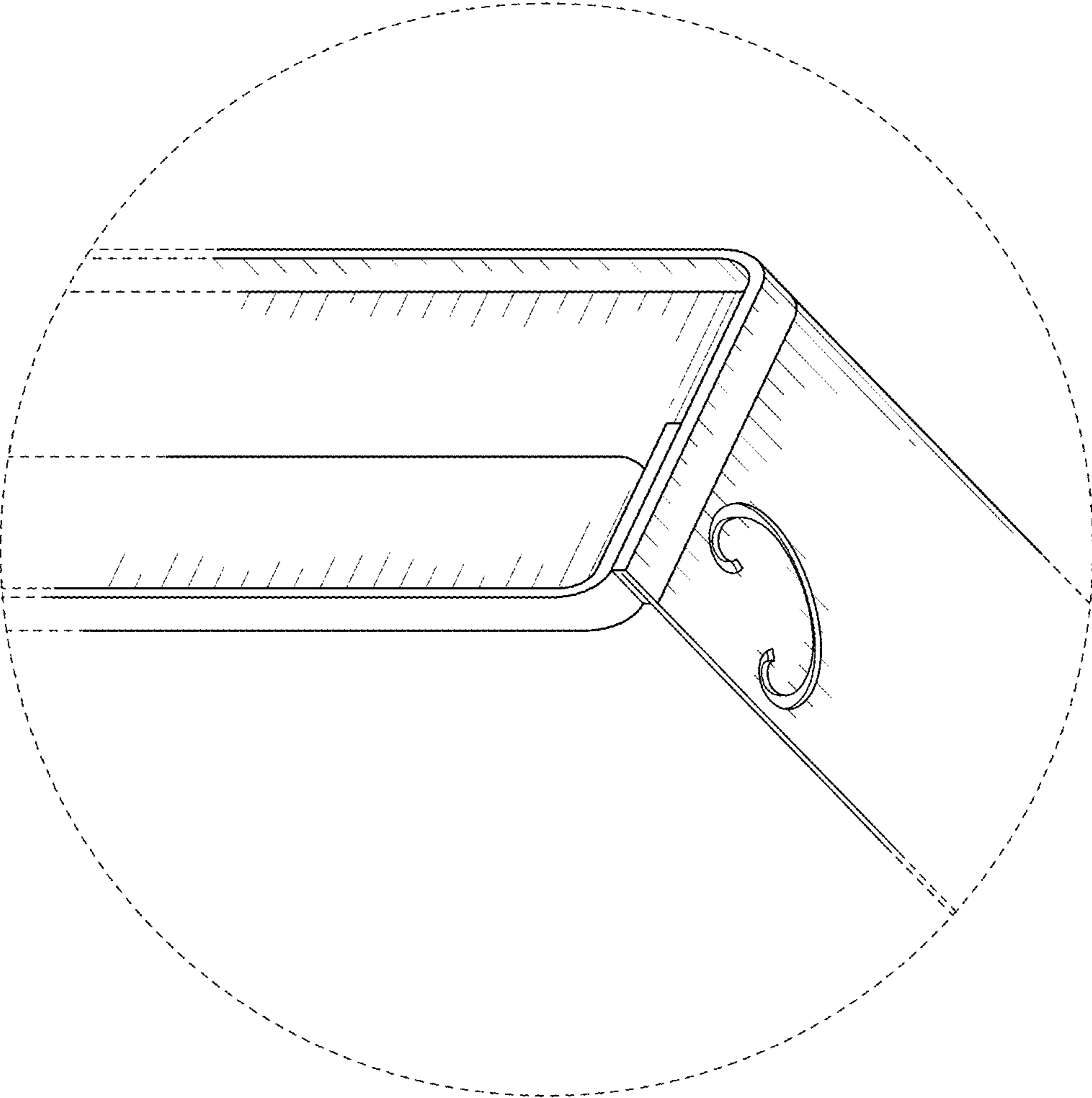


FIG. 8