



US00D783410S

(12) **United States Design Patent** (10) **Patent No.:** **US D783,410 S**  
**Bertaux** (45) **Date of Patent:** **\*\* Apr. 11, 2017**

(54) **FLASK FOR PERFUMERY PRODUCTS**

FOREIGN PATENT DOCUMENTS

(71) Applicant: **CARTIER INTERNATIONAL AG,**  
Steinhausen (CH)

CN 3184771 \* 5/2001  
EM 003162692-0001 \* 9/2016

(Continued)

(72) Inventor: **Pierre Julien Bertaux,** Geneva (CH)

*Primary Examiner* — Catherine Tuttle

(73) Assignee: **CARTIER INTERNATIONAL AG,**  
Steinhausen (CH)

*Assistant Examiner* — Mary Malley

(\*\*) Term: **15 Years**

(74) *Attorney, Agent, or Firm* — Stephen J. Weyer, Esq.;  
Stites & Harbison, PLLC.

(21) Appl. No.: **29/551,264**

(22) Filed: **Jan. 12, 2016**

(57) **CLAIM**

(30) **Foreign Application Priority Data**

The ornamental design for a flask for perfumery products, as shown and described.

Jul. 13, 2015 (EM) ..... 907207101

(51) **LOC (10) Cl.** ..... **28-03**

(52) **U.S. Cl.**  
USPC ..... **D9/690; D9/503; D9/521; D9/452;**  
D9/454; D9/448

**DESCRIPTION**

(58) **Field of Classification Search**

USPC ..... 215/12.1; D9/500–505, 516, 529, 530,  
D9/537, 538, 541, 549–559, 569, 570,  
D9/774, 776, 692, 694, 723–728, 745,  
D9/746, 521, 452, 453, 454, 448  
CPC .... A45D 33/00; A45D 33/003; A45D 33/006;  
A45D 33/02; A45D 33/025; A45D 33/18;  
A45D 33/22; A45D 34/00; A45D  
2034/007; A45D 34/02; A45D 40/40;  
A45D 40/0068; A45D 40/0075; A45D  
2040/12;

FIG. 1 is a perspective view taken from the front and top of a flask for perfumery products showing the present design. FIG. 2 a perspective view taken from the front and bottom of the flask for perfumery products of FIG. 1.

FIG. 3 is a front elevation view of the flask for perfumery products of FIG. 1.

FIG. 4 is a front elevation view of the flask for perfumery products of FIG. 1, shown with its cap in an alternate, lowered position concealing the neck and exposing the nozzle; and wherein the concealed neck portions are upwardly displaced.

FIG. 5 is a top plan view of the flask for perfumery products of FIG. 1.

FIG. 6 is a bottom plan view of the flask for perfumery products of FIG. 1; and,

FIG. 7 is an exploded perspective view from the front and bottom of the flask of FIG. 1, with the inner chamber and the spray nozzle removed from an outer chamber.

(Continued)

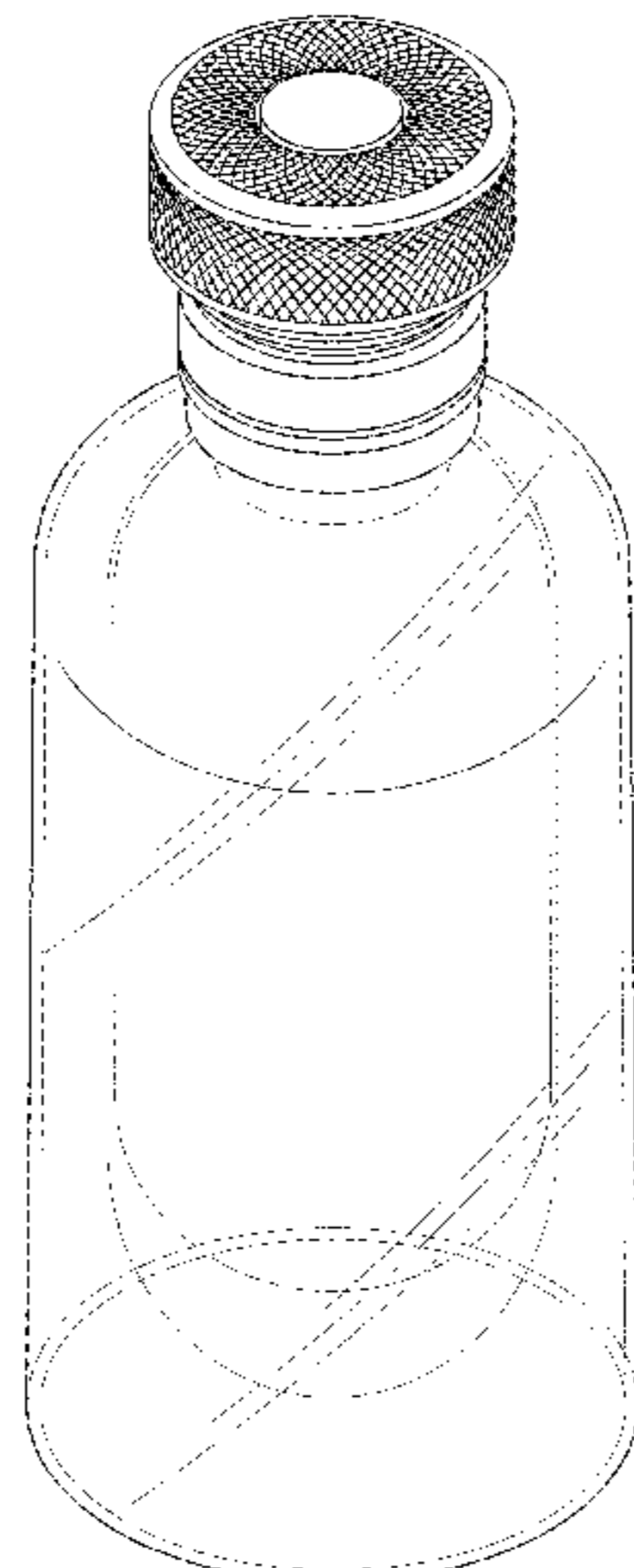
(56) **References Cited**

U.S. PATENT DOCUMENTS

3,531,644 A \* 9/1970 Koster ..... G21F 5/015  
206/209  
3,937,961 A \* 2/1976 Benvenuti ..... G01T 1/204  
215/12.1

(Continued)

**1 Claim, 6 Drawing Sheets**



(58) **Field of Classification Search**

CPC ..... A45D 2200/05; A45D 2200/051; A45D  
2200/052; A45D 2200/053; B65D 23/00;  
B65D 23/102; B65D 1/00; B65D 1/02;  
B65D 1/0207; B65D 1/0215; B65D  
1/0223; B65D 11/16; B65D 1/10

See application file for complete search history.

(56) **References Cited**

U.S. PATENT DOCUMENTS

D387,994 S \* 12/1997 Heinz ..... D9/545  
D434,646 S \* 12/2000 Gidlund ..... D9/503  
D463,746 S \* 10/2002 de Baschmakoff ..... D9/500  
D620,742 S \* 8/2010 Lion ..... D7/300  
D630,514 S \* 1/2011 Niikura ..... D9/504  
D634,212 S \* 3/2011 Kruetzkamp ..... D9/690  
D639,668 S \* 6/2011 Niikura ..... D9/553  
D665,267 S \* 8/2012 Dittmer ..... D9/688  
D734,164 S \* 7/2015 Guichot ..... D9/682  
D735,052 S \* 7/2015 Hwang ..... D9/690  
9,327,886 B2 \* 5/2016 Fazi  
2007/0295684 A1 \* 12/2007 Fujii ..... A47J 41/026  
215/12.1  
2014/0048510 A1 \* 2/2014 Kilduff ..... B65D 81/18  
215/387

FOREIGN PATENT DOCUMENTS

TR 087095-0001 \* 8/2016  
TR 091843-0001 \* 8/2016

\* cited by examiner

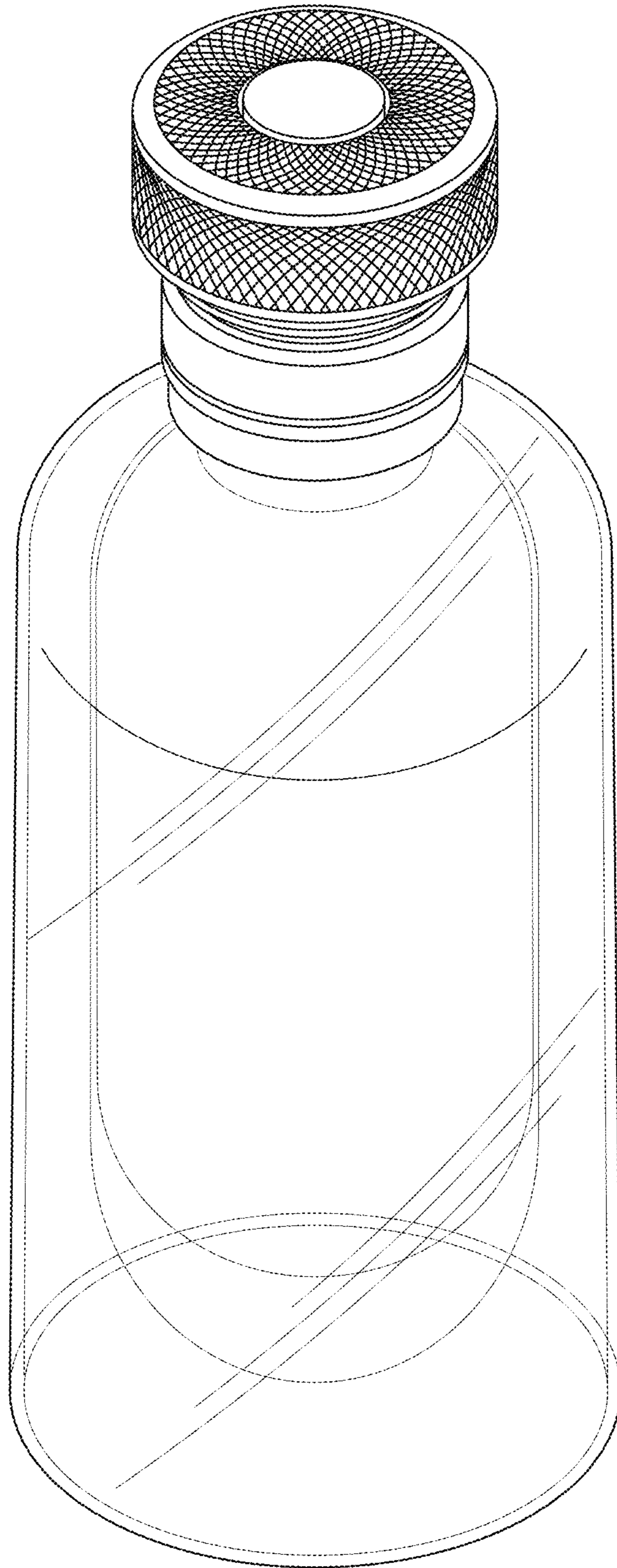


FIG. 1

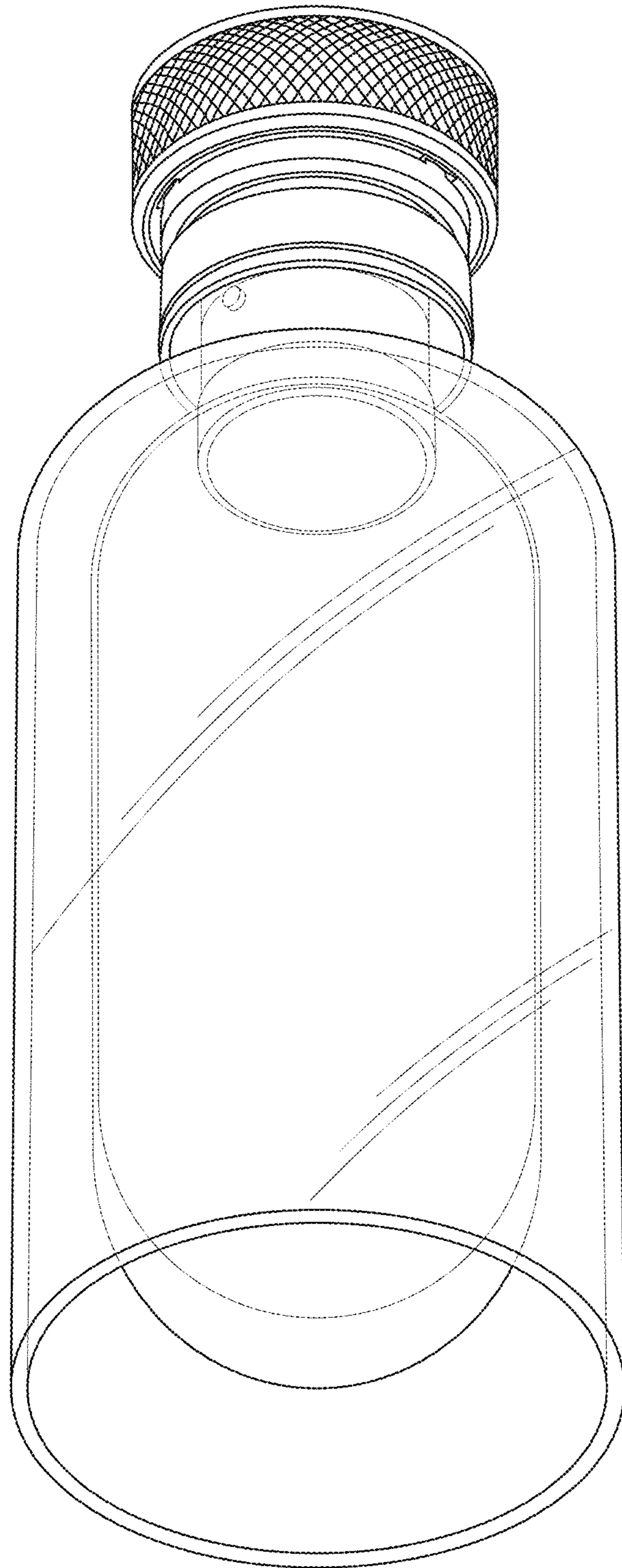


FIG. 2

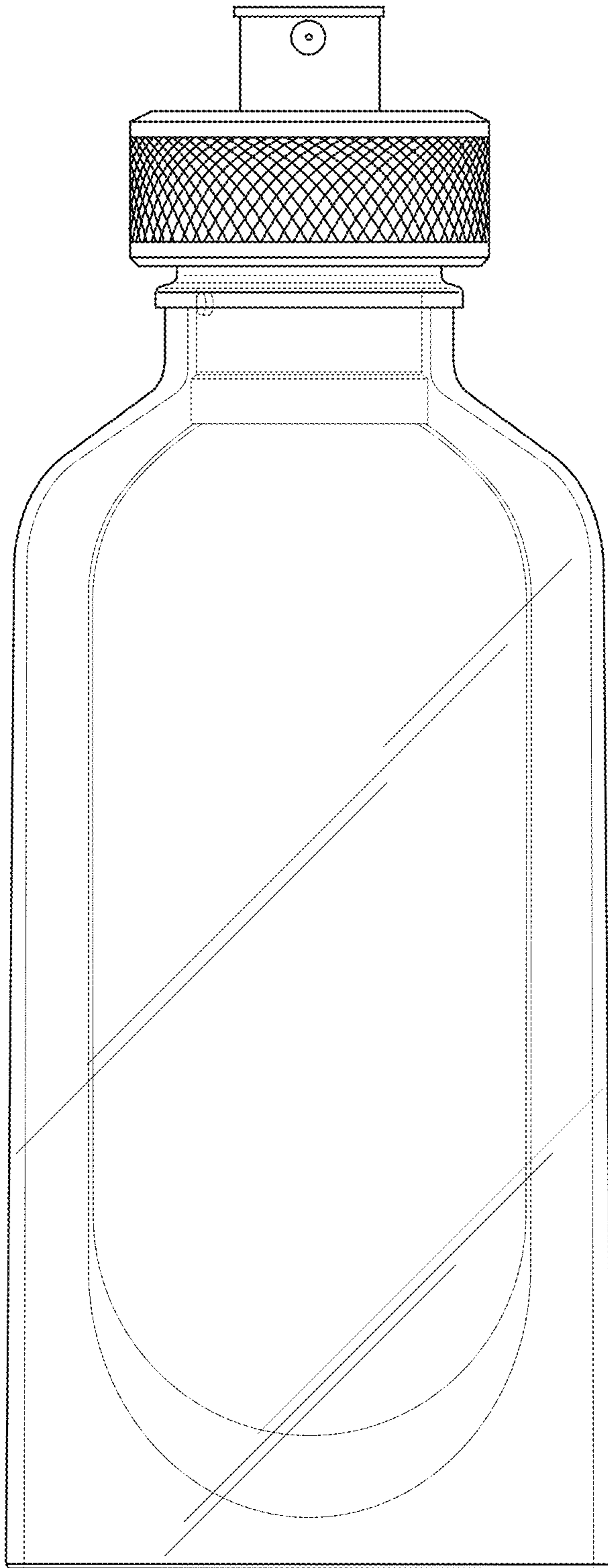


FIG. 3

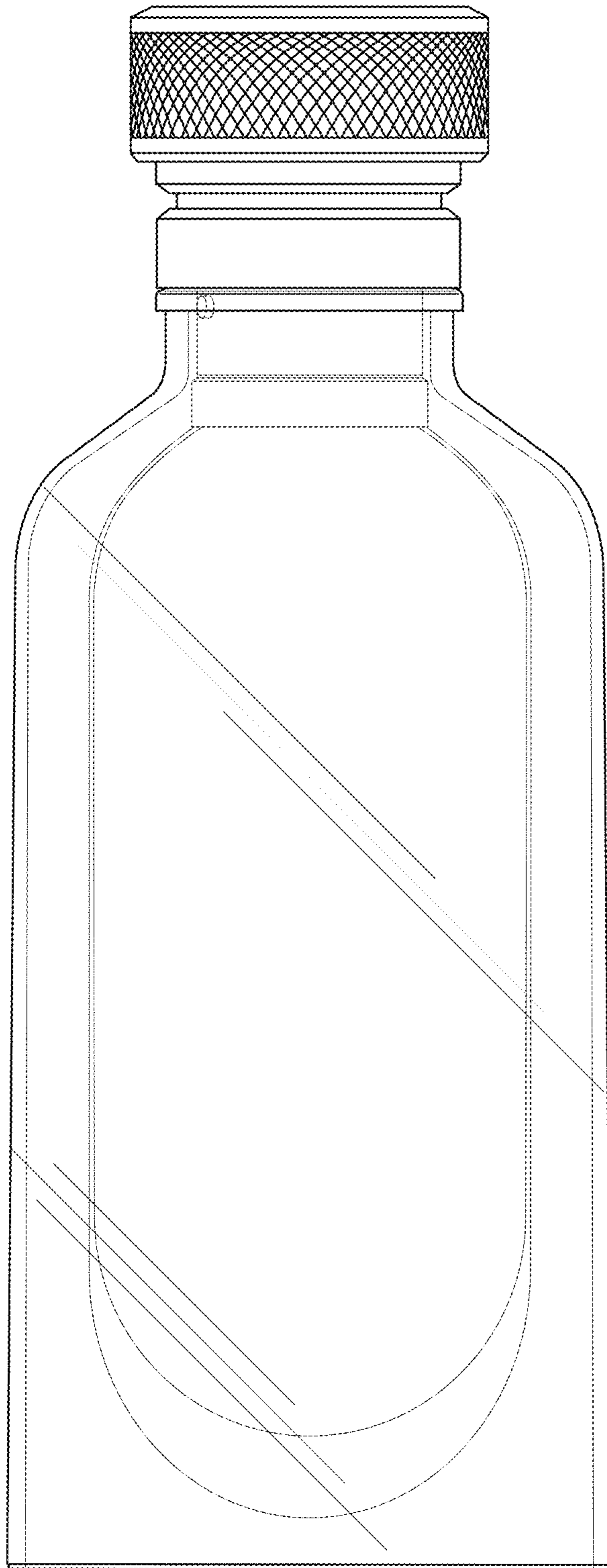


FIG. 4

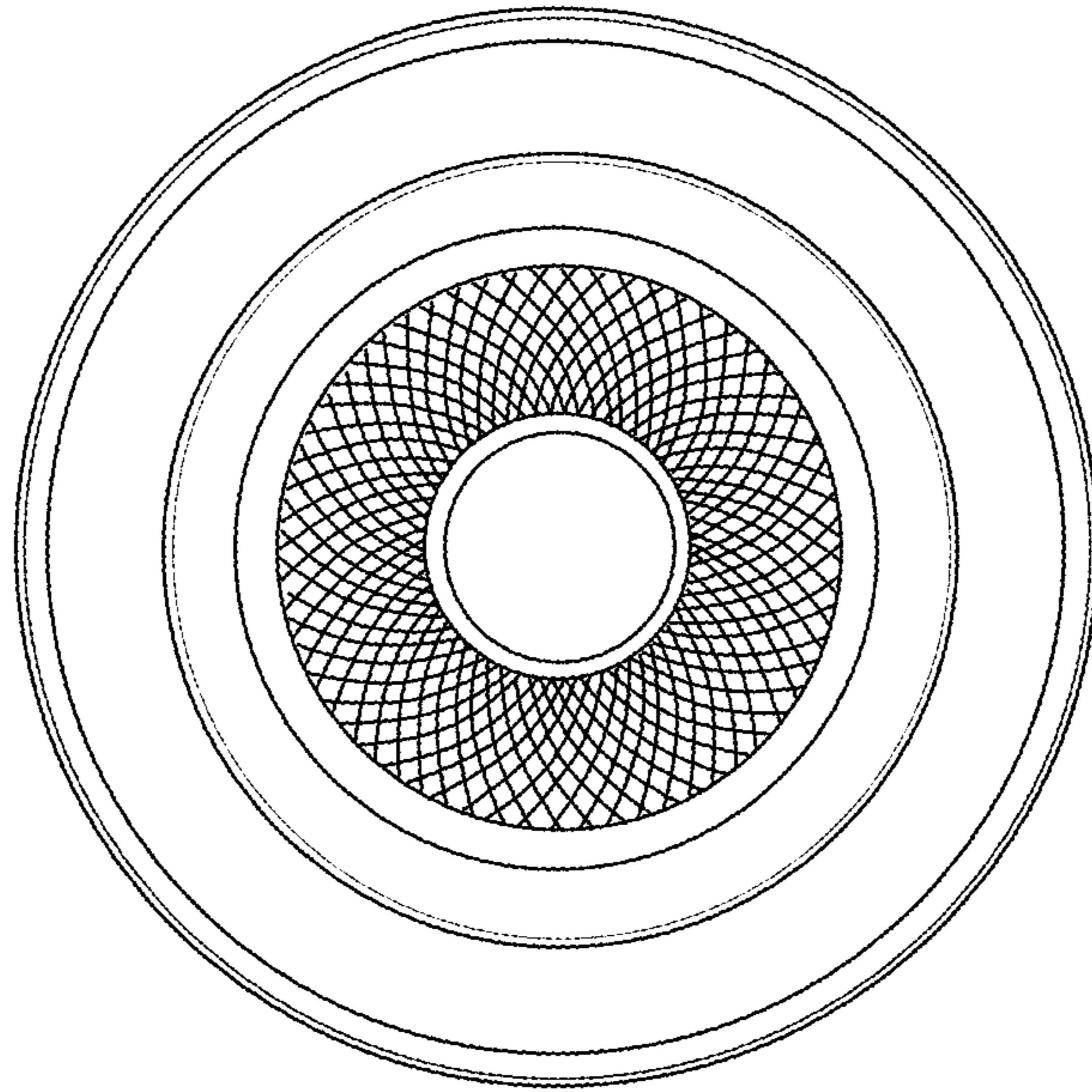


FIG. 5

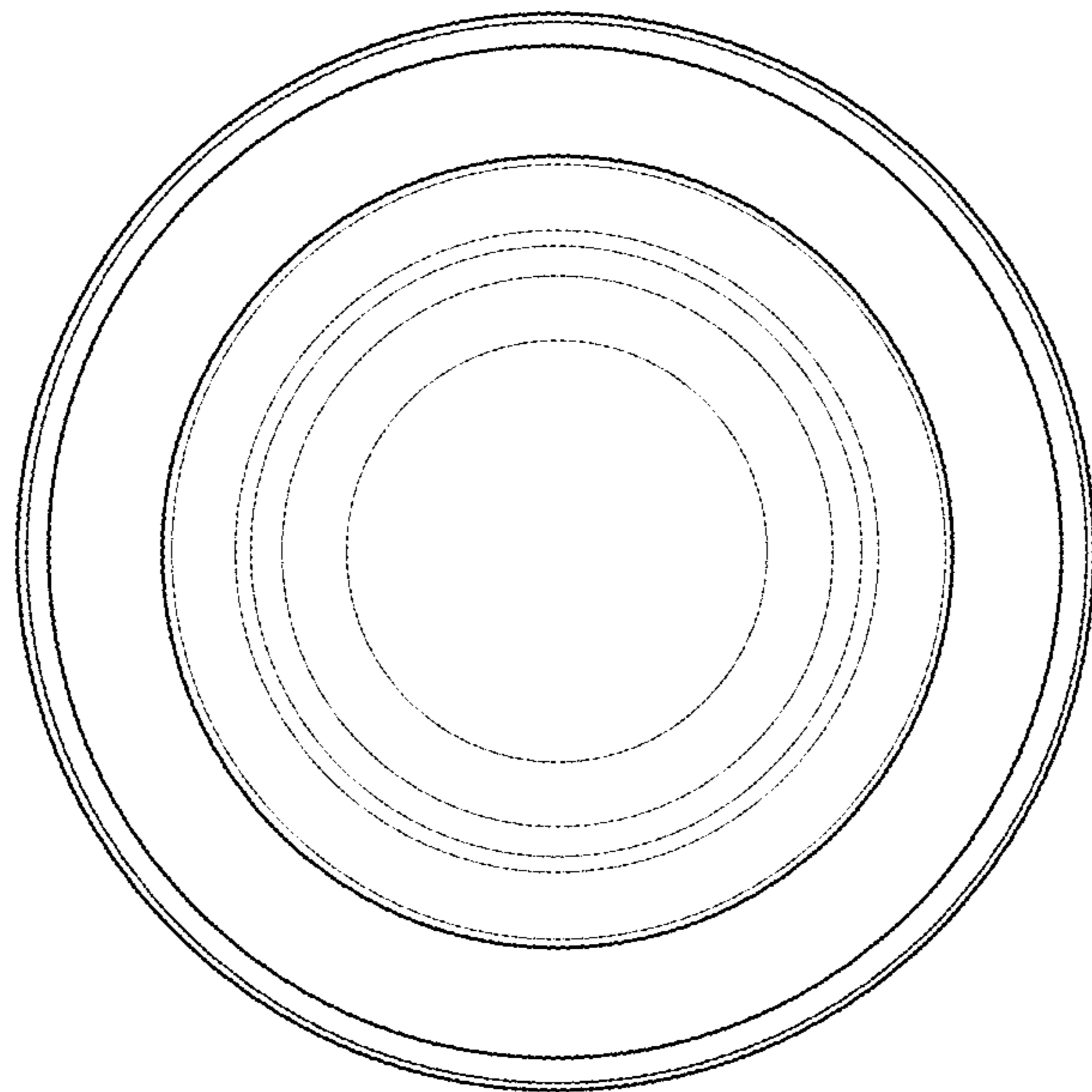


FIG. 6



FIG. 7



UNITED STATES PATENT AND TRADEMARK OFFICE  
**CERTIFICATE OF CORRECTION**

PATENT NO. : D783,410 S  
APPLICATION NO. : 29/551264  
DATED : April 11, 2017  
INVENTOR(S) : Bertaux et al.

Page 1 of 1

It is certified that error appears in the above-identified patent and that said Letters Patent is hereby corrected as shown below:

On the Title Page

Item \* **(30) Foreign Application Priority Data**

Jul. 13, 2015 (EM).....907207101 \*

To:

--- **(30) Foreign Application Priority Data**

Jul. 13, 2015 (IB).....907207101 ---

Signed and Sealed this  
Twenty-first Day of November, 2017



Joseph Matal

*Performing the Functions and Duties of the  
Under Secretary of Commerce for Intellectual Property and  
Director of the United States Patent and Trademark Office*