



US00D783408S

(12) **United States Design Patent**
Sanguinet et al.

(10) **Patent No.:** **US D783,408 S**

(45) **Date of Patent:** **** Apr. 11, 2017**

- (54) **RIBBED CONTAINER**
- (71) Applicant: **Berlin Packaging, LLC**, Chicago, IL (US)
- (72) Inventors: **Andrew Sanguinet**, La Grange Park, IL (US); **Noah Wangerin**, Chicago, IL (US)
- (73) Assignee: **Berlin Packaging**, Chicago, IL (US)
- (**) Term: **14 Years**
- (21) Appl. No.: **29/514,970**
- (22) Filed: **Jan. 19, 2015**
- (51) **LOC (10) Cl.** **09-01**
- (52) **U.S. Cl.**
USPC **D9/553; D9/550; D9/557; D9/558; D9/520**
- (58) **Field of Classification Search**
USPC D9/516, 523, 528, 530, 536, 541, 543, D9/544, 546, 559, 560, 563, 566, D9/569-575, 715, 719, 520, 549, 550, D9/553, 557, 558; D7/619.1
CPC B65D 1/02; B65D 1/0207; B65D 1/0223; B65D 1/14; B65D 2501/0081
See application file for complete search history.

(56) **References Cited**

U.S. PATENT DOCUMENTS

D114,665	S	*	5/1939	Noble	D9/544
4,877,142	A	*	10/1989	Doering	B65D 1/0223
						206/386
D419,077	S	*	1/2000	Sultan	D9/563
D445,037	S	*	7/2001	Kokenge	D9/529
D449,539	S	*	10/2001	Lakatosh	D9/530
D484,056	S	*	12/2003	Wiper	D9/523
D497,554	S	*	10/2004	Le Bourg	D9/566
D501,405	S	*	2/2005	Feen	D9/523
D508,855	S	*	8/2005	Hasler	D9/523
D510,870	S	*	10/2005	Kelly	D9/523
D556,583	S	*	12/2007	Gurst	D9/523
D563,227	S	*	3/2008	Feen	D9/523
D579,778	S	*	11/2008	De Gopegui	D9/523

D591,605	S	*	5/2009	Ungrady	D9/559
D598,772	S	*	8/2009	Yourist	D9/541
D600,561	S	*	9/2009	Feen	D9/541
D614,964	S	*	5/2010	Verdura	D9/543
D653,961	S	*	2/2012	Johnston	D9/563
D659,544	S	*	5/2012	Labadie	D9/542
D663,626	S	*	7/2012	Berger	D9/541
D670,168	S	*	11/2012	Borger	D9/523
D691,053	S	*	10/2013	Garcia	D9/543
D722,882	S	*	2/2015	Castillo Higareda	D9/543
D735,579	S	*	8/2015	Hawry	D9/523
D757,557	S	*	5/2016	Melms, Jr.	D9/530

* cited by examiner

Primary Examiner — Ian Simmons

Assistant Examiner — Keith Frank

(74) *Attorney, Agent, or Firm* — Adam K. Sacharoff; Much Shelist

(57) **CLAIM**

The ornamental design for a ribbed container, as shown and described.

DESCRIPTION

FIG. 1 is a front side perspective view showing a first embodiment of the new design for a ribbed container; FIG. 2 is another front side perspective view of the ribbed container from FIG. 1; FIG. 3 is a bottom rear side perspective view of the ribbed container from FIG. 1 in an upside down configuration; FIG. 4 is a front elevation view of the ribbed container from FIG. 1; FIG. 5 is a rear elevation view of the ribbed container from FIG. 1; FIG. 6 is a left side view of the ribbed container from FIG. 1; FIG. 7 is a right side view of the ribbed container from FIG. 1; FIG. 8 is a top plan view of the ribbed container from FIG. 1; FIG. 9 is a bottom plan view of the ribbed container from FIG. 1;

(Continued)

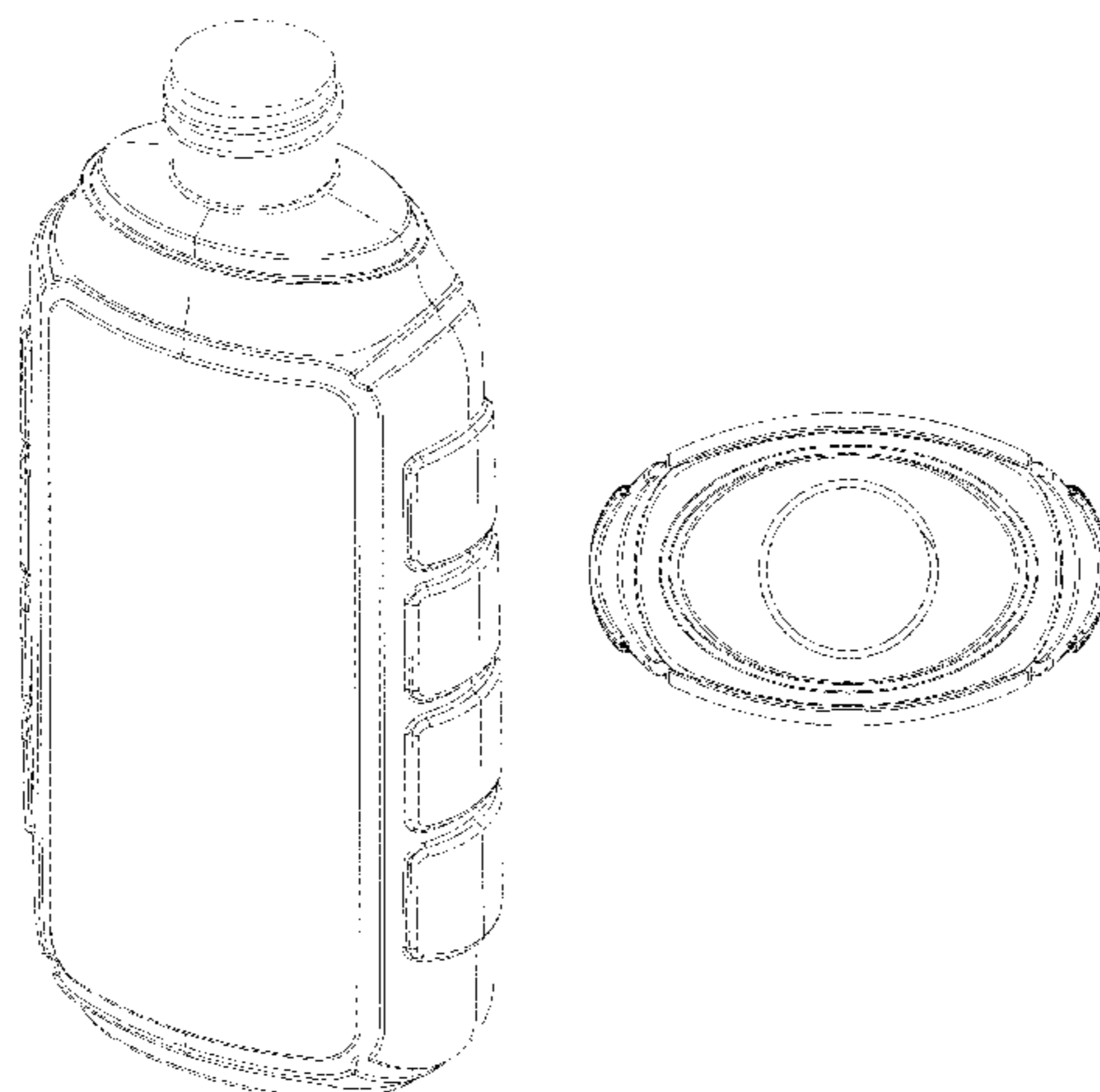


FIG. 10 is a front side perspective view showing a second embodiment of the new design for a ribbed container;
FIG. 11 is a rear side perspective view of the ribbed container from FIG. 10;
FIG. 12 is a bottom rear side perspective view of the ribbed container from FIG. 10 in an upside down configuration;
FIG. 13 is a front elevation view of the ribbed container from FIG. 10;
FIG. 14 is a rear elevation view of the ribbed container from FIG. 10;
FIG. 15 is a left side view of the ribbed container from FIG. 10;
FIG. 16 is a right side view of the ribbed container from FIG. 10;
FIG. 17 is a top plan view of the ribbed container from FIG. 10;
FIG. 18 is a bottom plan view of the ribbed container from FIG. 10;
FIG. 19 is a front side perspective view showing a third embodiment of the new design for a ribbed container;
FIG. 20 is a rear side perspective view of the ribbed container from FIG. 19;
FIG. 21 is a bottom rear side perspective view of the ribbed container from FIG. 19 in an upside down configuration;
FIG. 22 is a front elevation view of the ribbed container from FIG. 19;
FIG. 23 is a rear elevation view of the ribbed container from FIG. 19;

FIG. 24 is a left side view of the ribbed container from FIG. 19;
FIG. 25 is a right side view of the ribbed container from FIG. 19;
FIG. 26 is a top plan view of the ribbed container from FIG. 19;
FIG. 27 is a bottom plan view of the ribbed container from FIG. 19;
FIG. 28 is a front side perspective view showing a fourth embodiment of the new design for a ribbed container;
FIG. 29 is a rear side perspective view of the ribbed container from FIG. 28;
FIG. 30 is a bottom rear side perspective view of the ribbed container from FIG. 28 in an upside down configuration;
FIG. 31 is a front elevation view of the ribbed container from FIG. 28;
FIG. 32 is a rear elevation view of the ribbed container from FIG. 28;
FIG. 33 is a left side view of the ribbed container from FIG. 28;
FIG. 34 is a right side view of the ribbed container from FIG. 28;
FIG. 35 is a top plan view of the ribbed container from FIG. 28; and,
FIG. 36 is a bottom plan view of the ribbed container from FIG. 28.
The broken lines are for environmental purposes only and form no part of the claimed design.

1 Claim, 36 Drawing Sheets

FIGURE 1

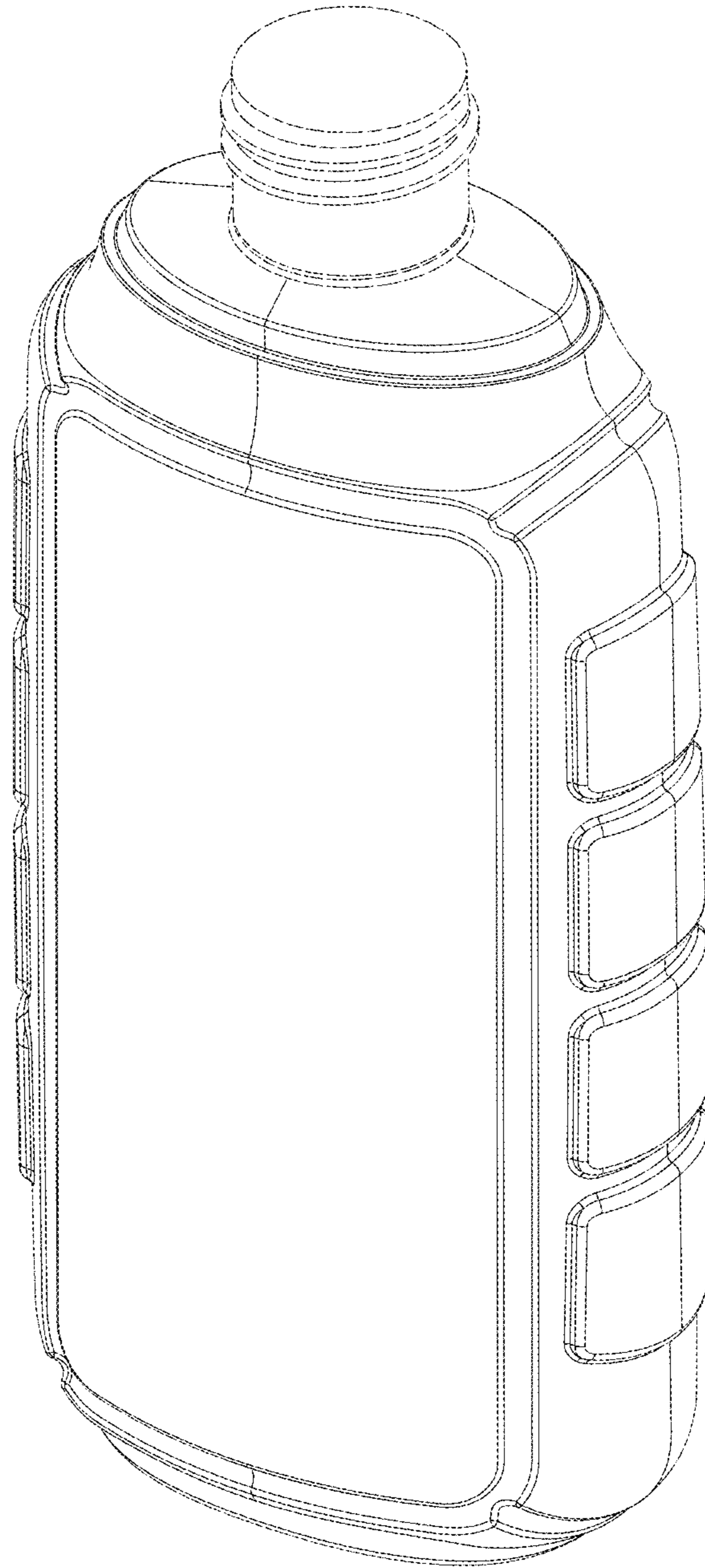


FIGURE 2

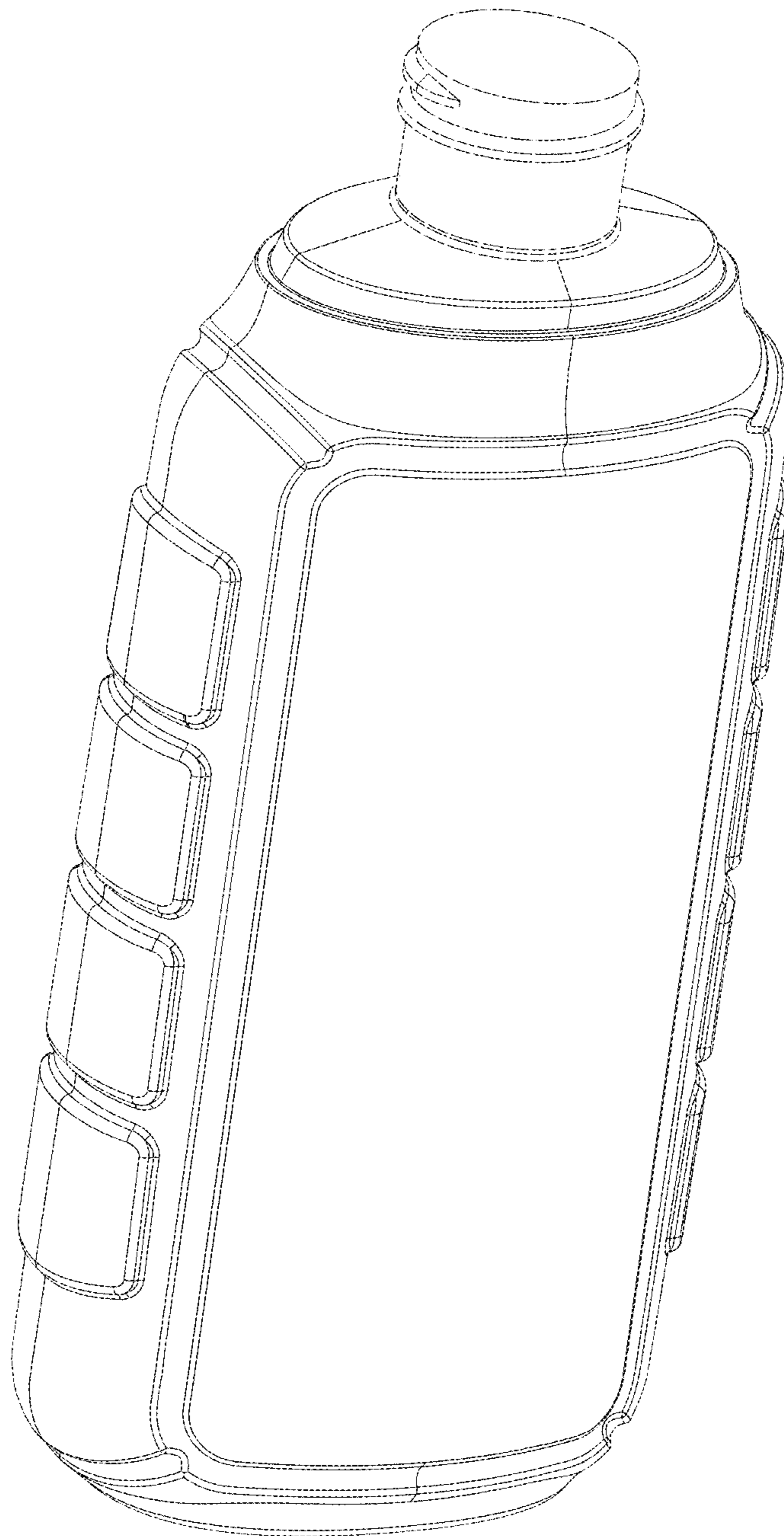


FIGURE 3

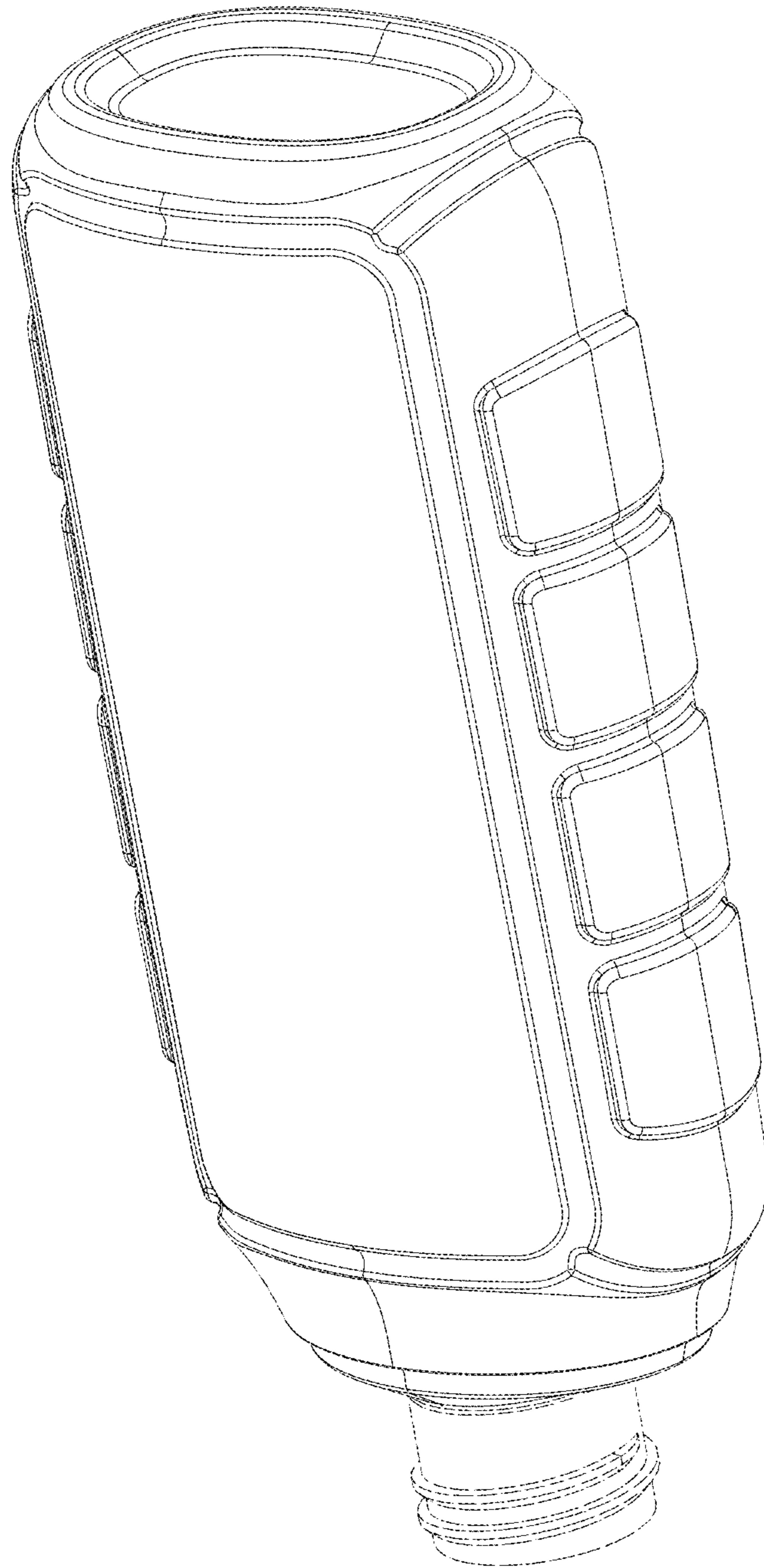


FIGURE 4

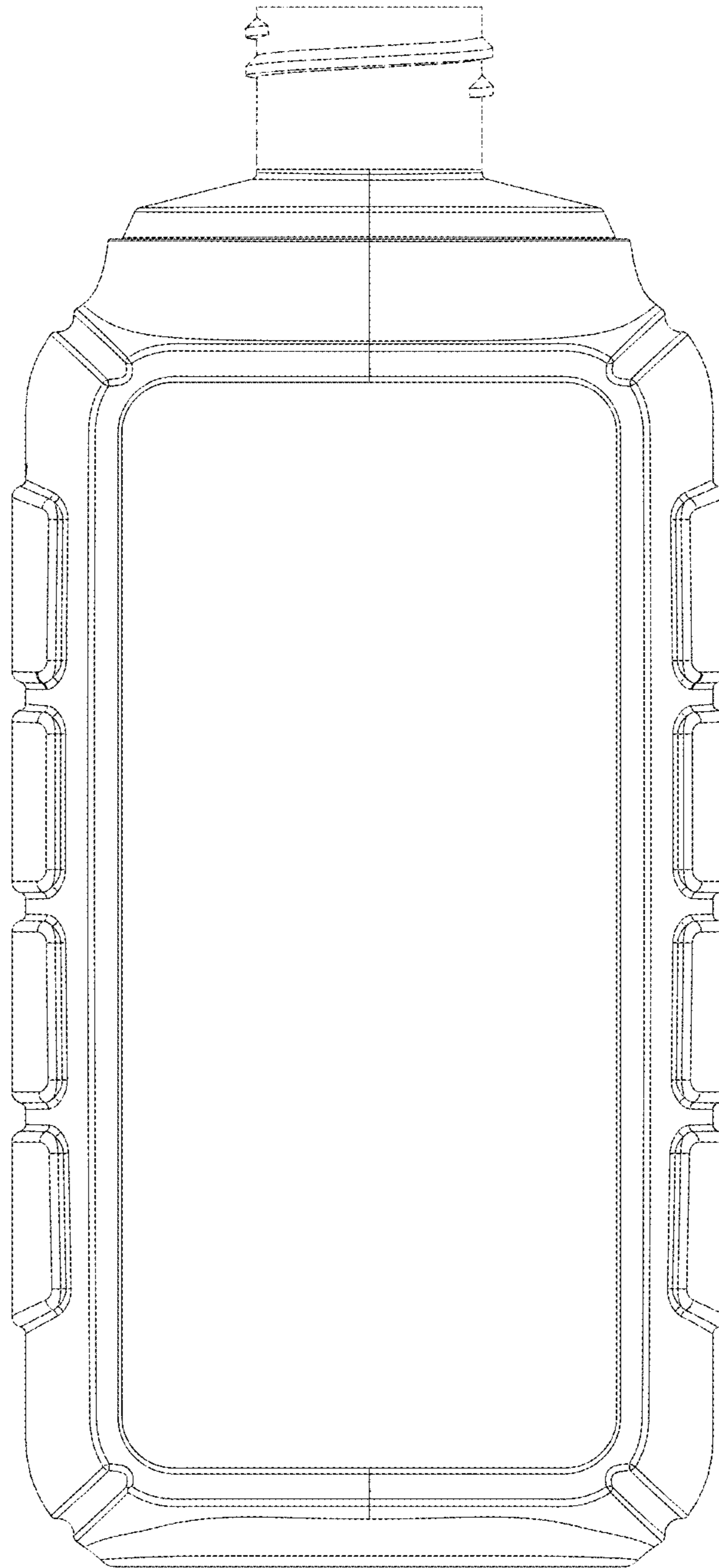


FIGURE 5

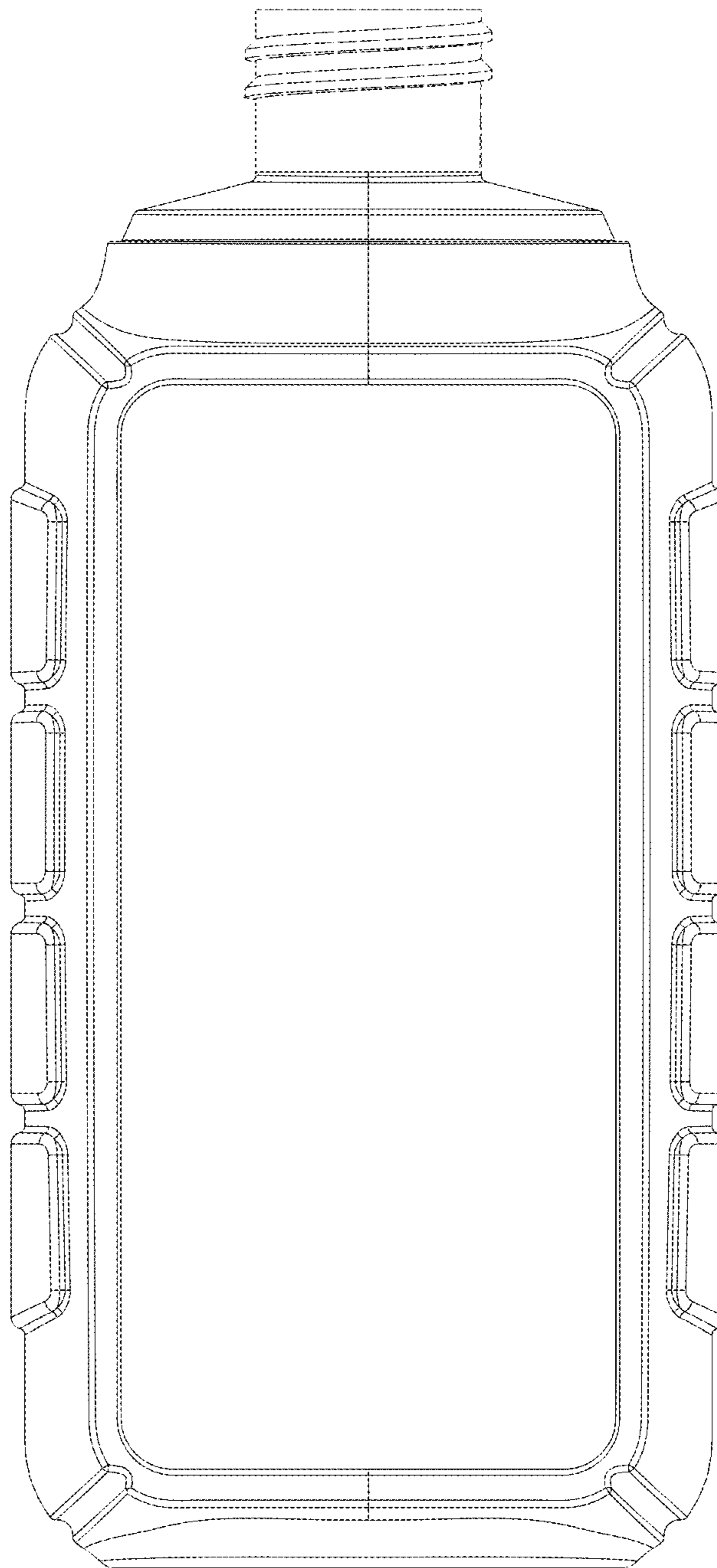


FIGURE 6

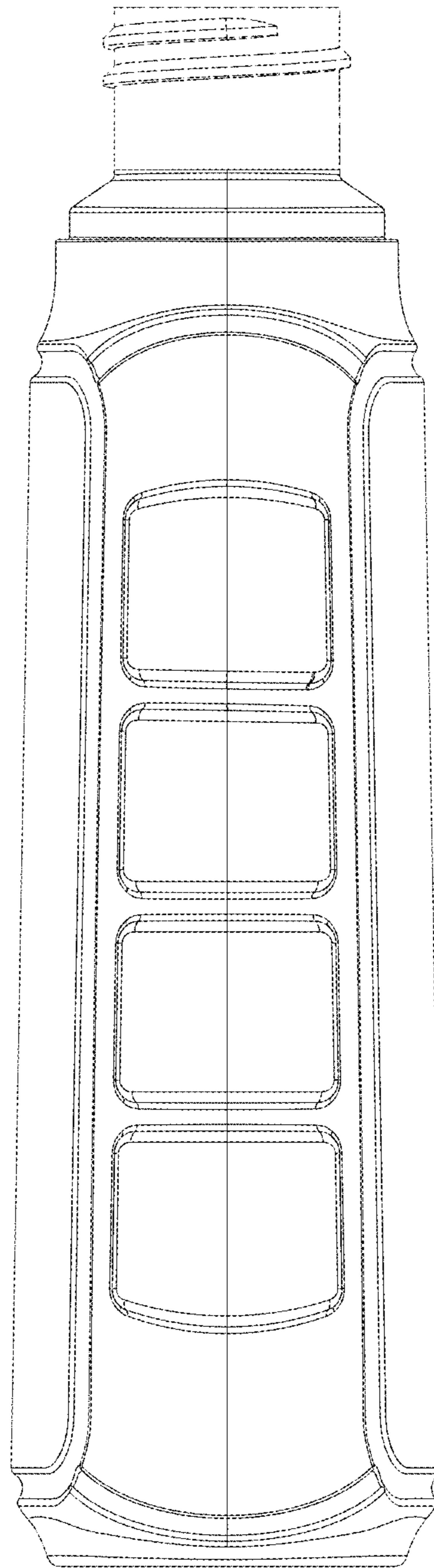


FIGURE 7

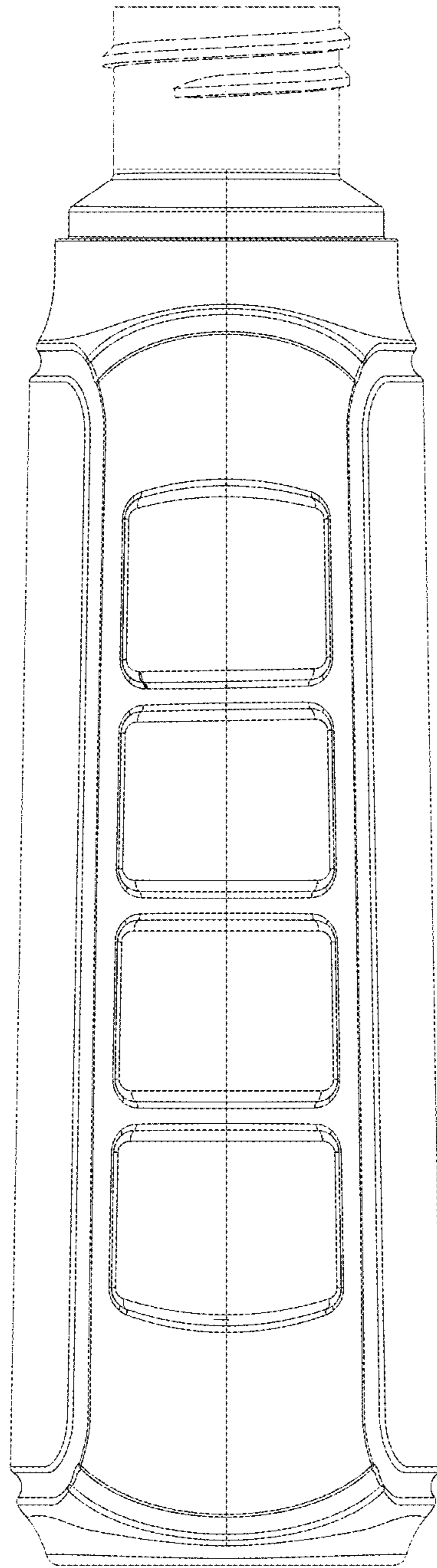


FIGURE 8

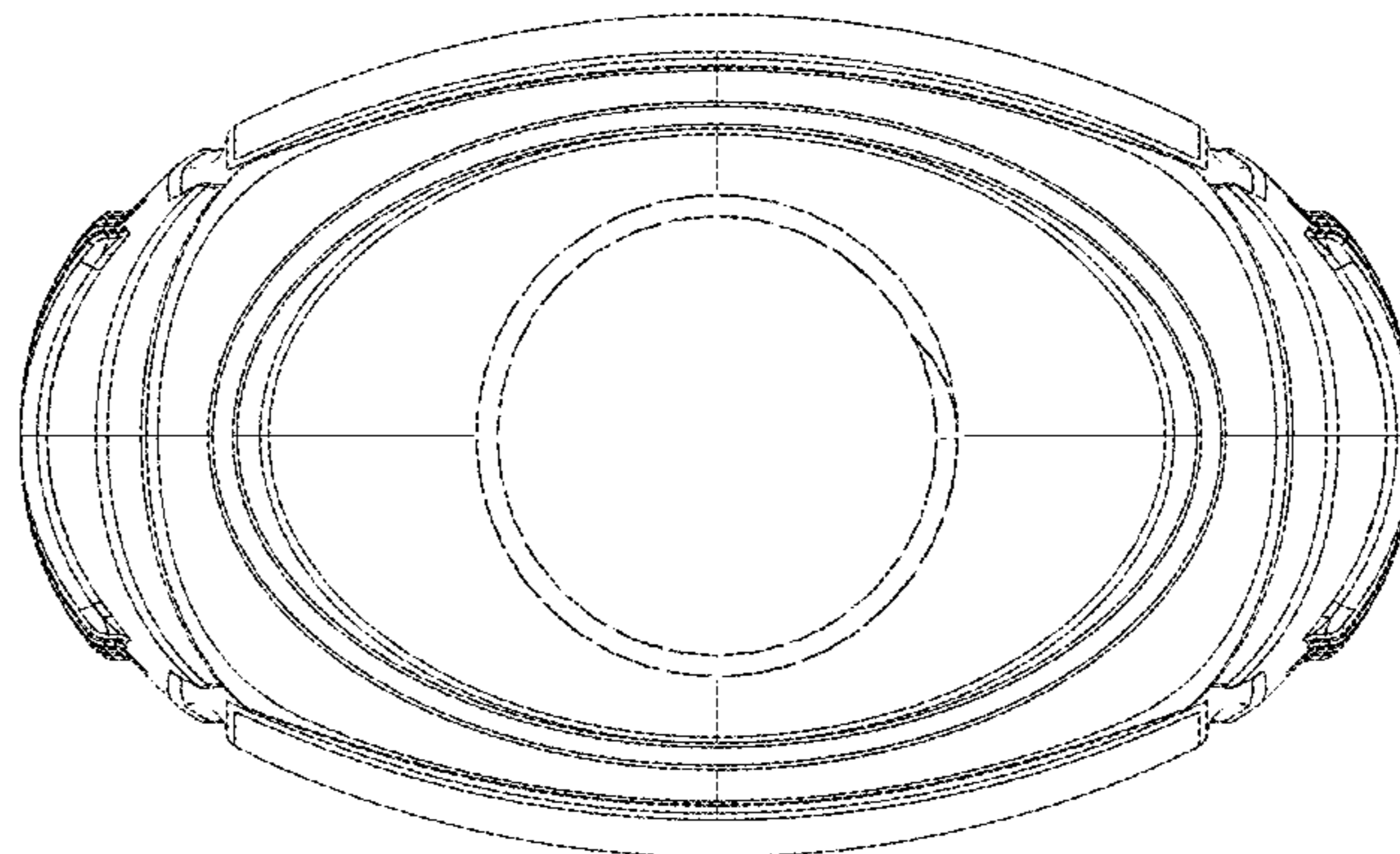


FIGURE 9

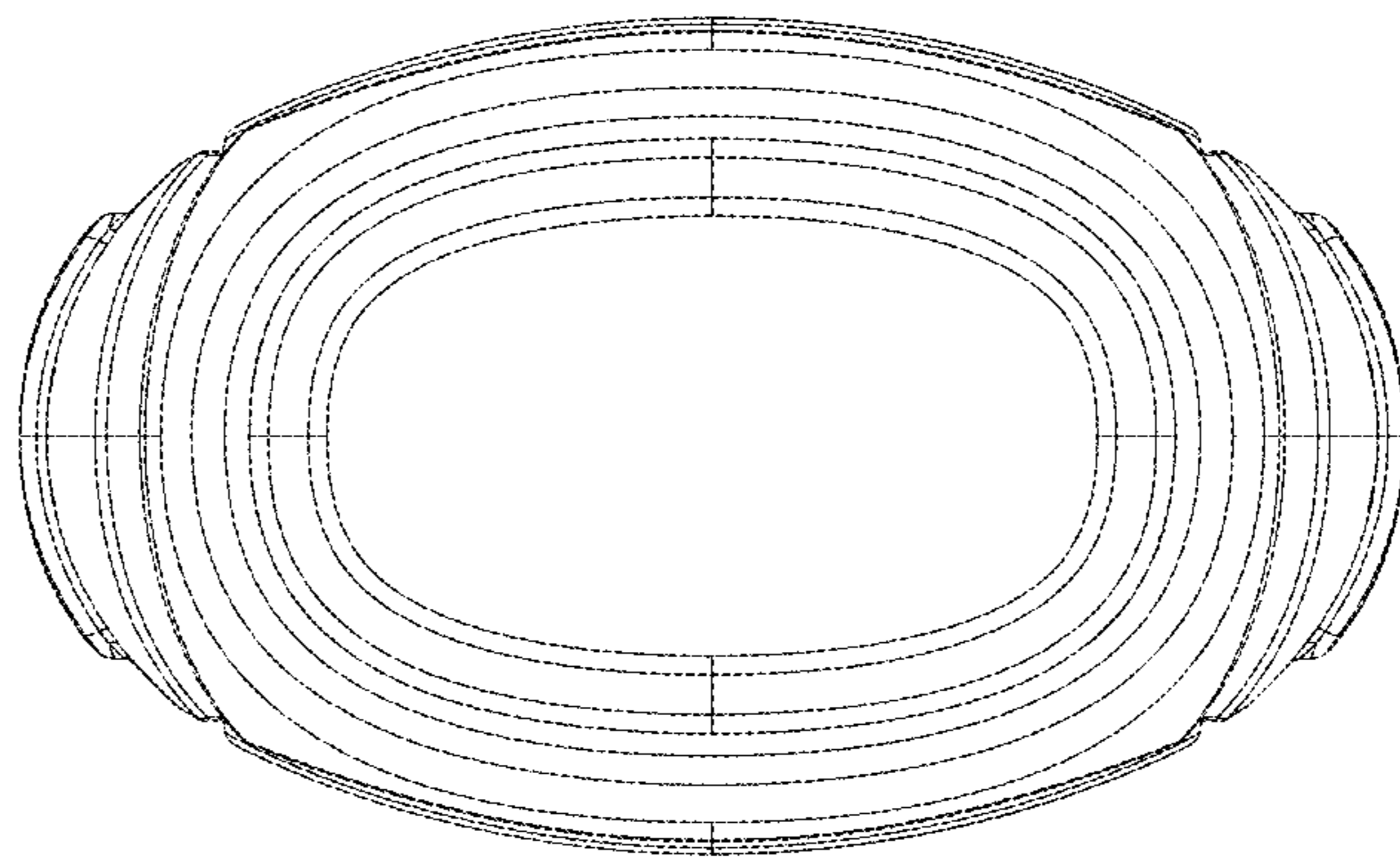


FIGURE 10

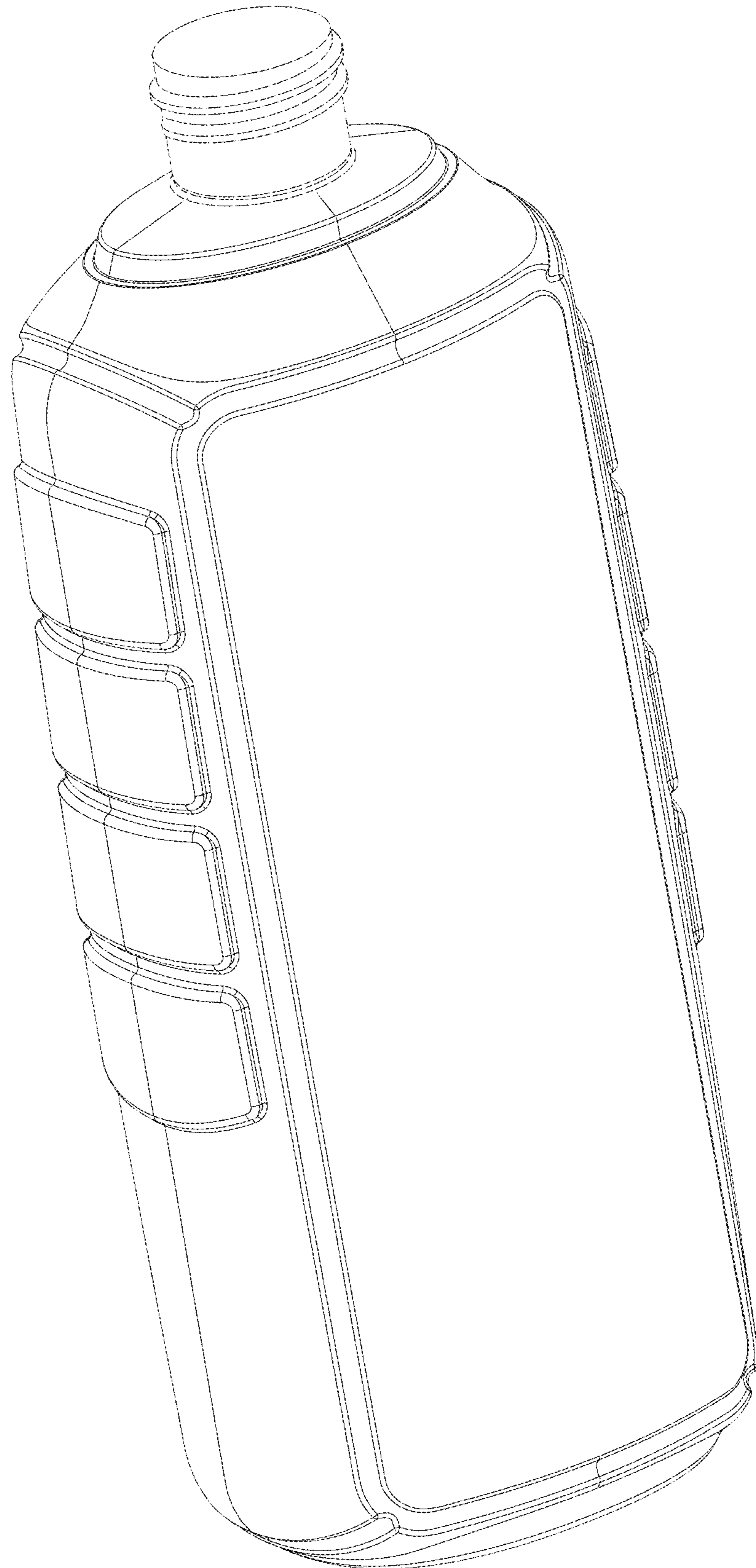


FIGURE 11

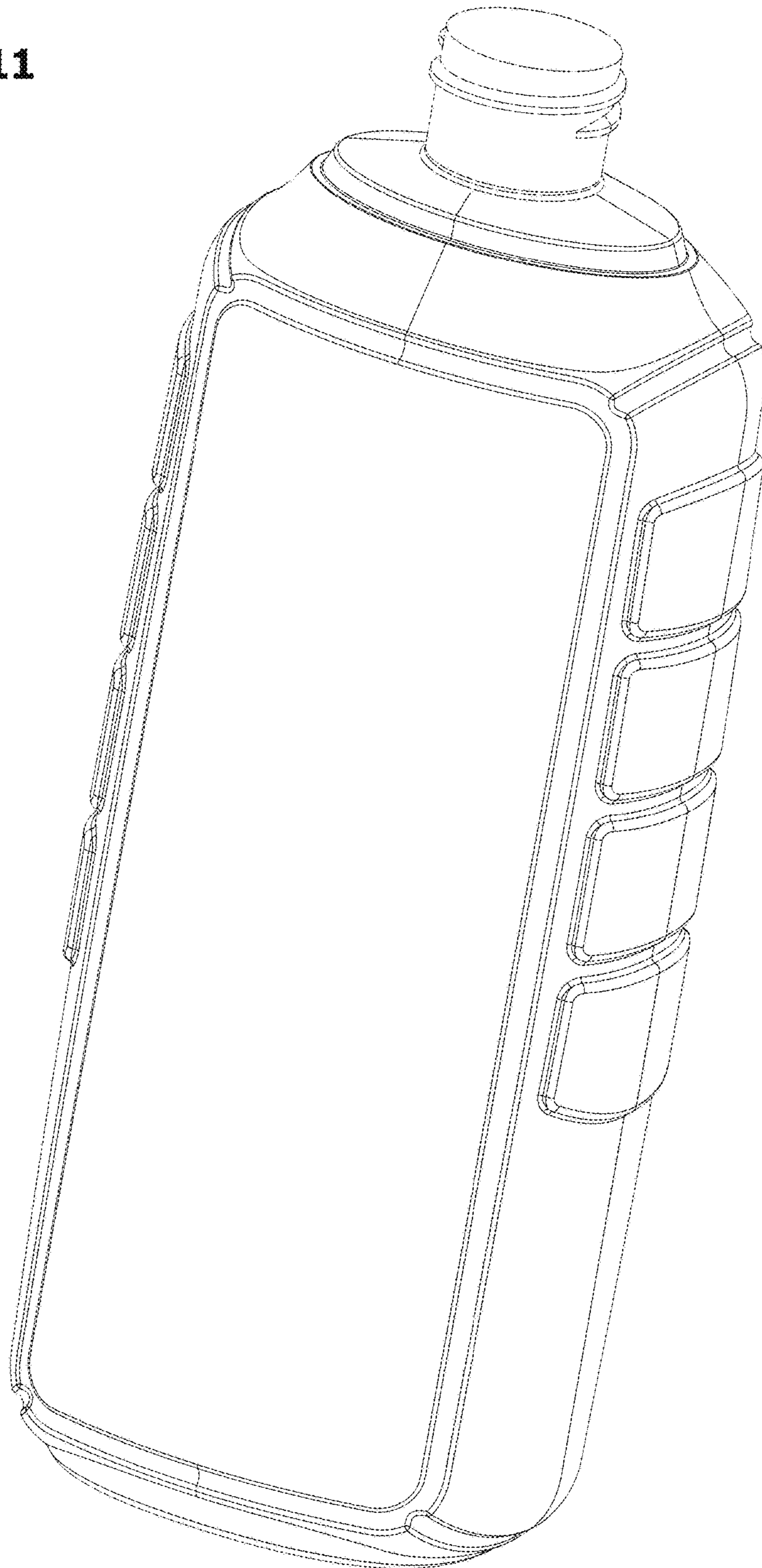


FIGURE 12

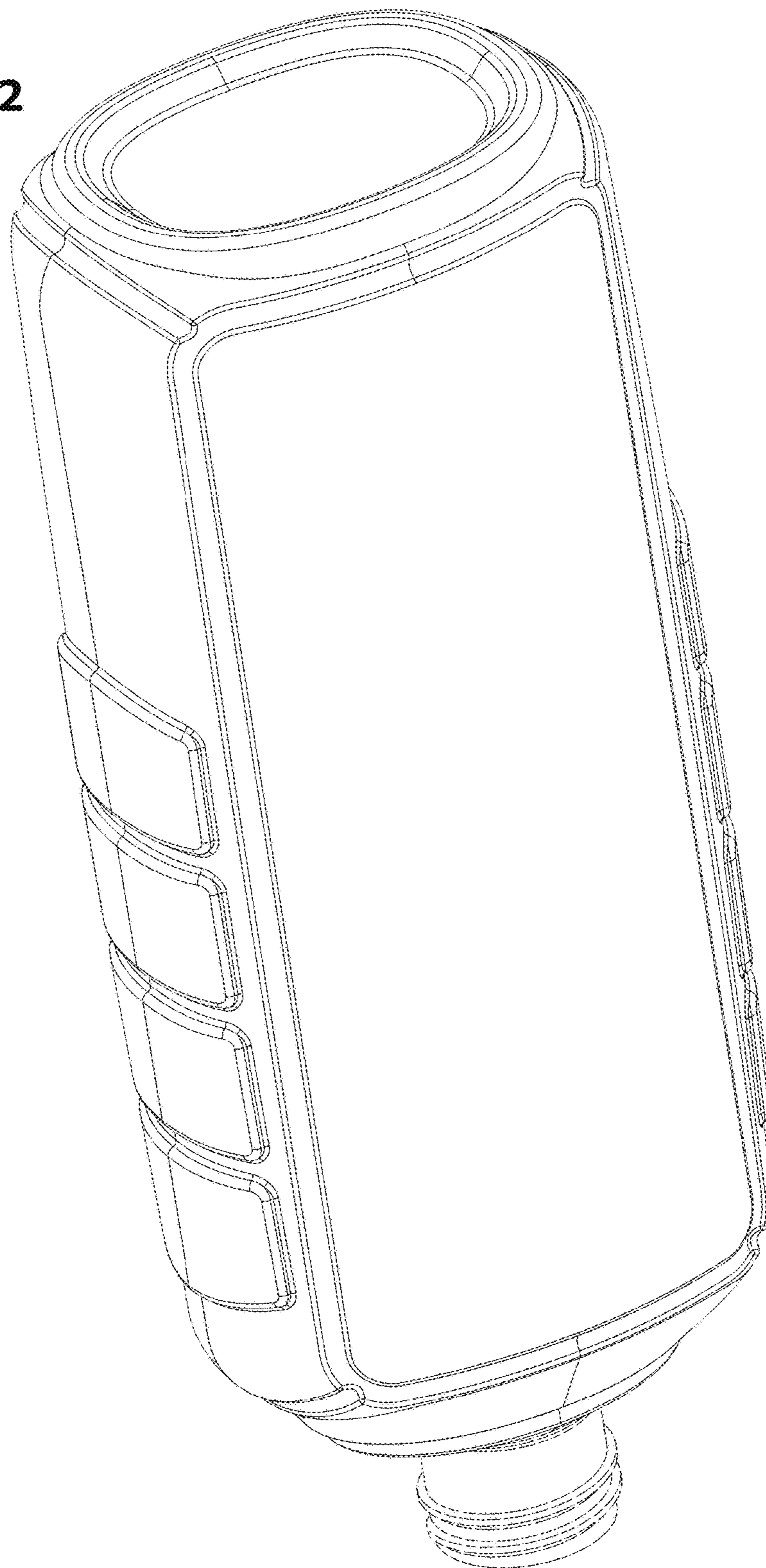


FIGURE 13

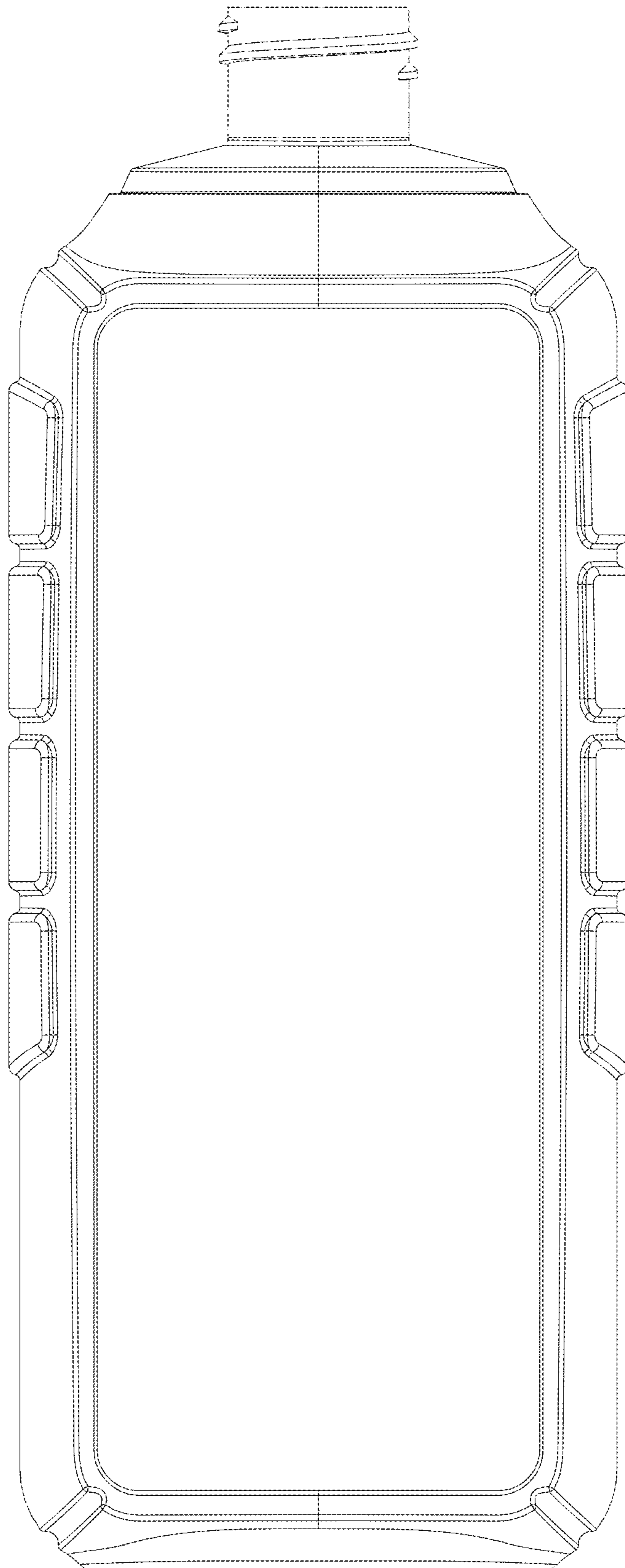


FIGURE 14

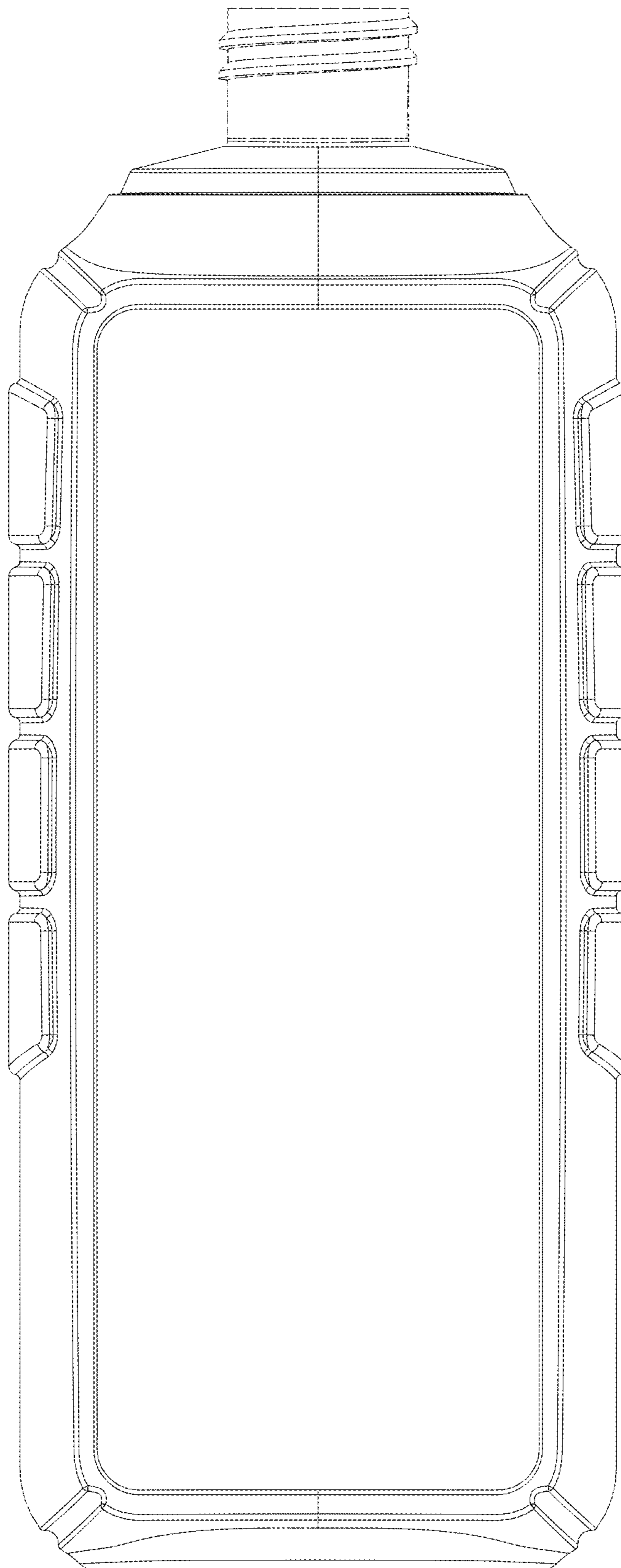


FIGURE 15

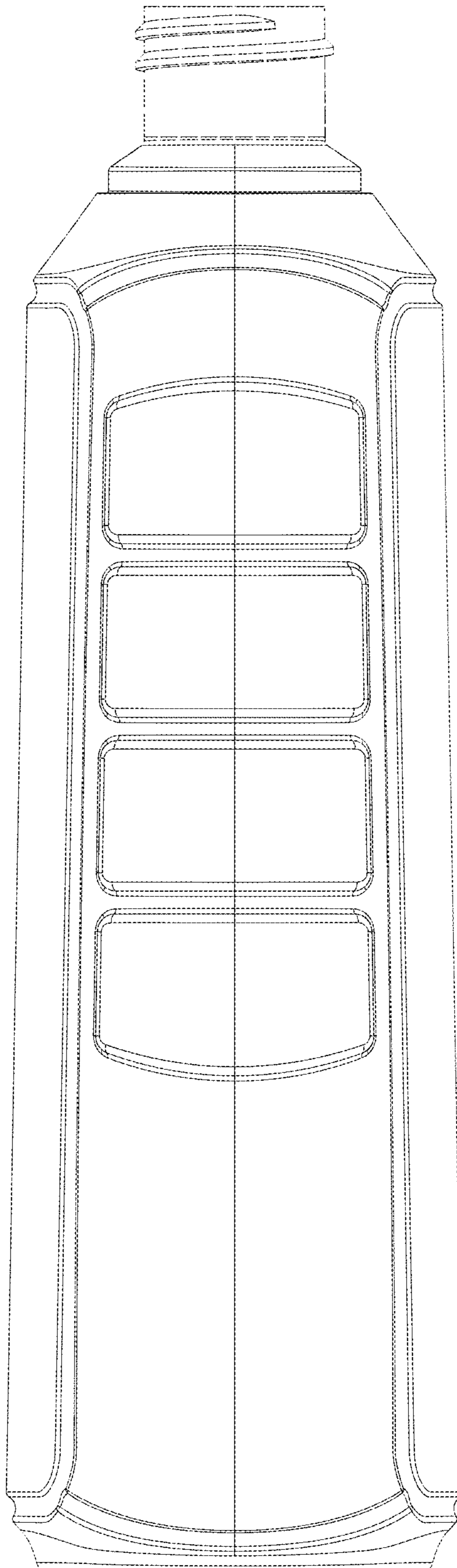


FIGURE 16

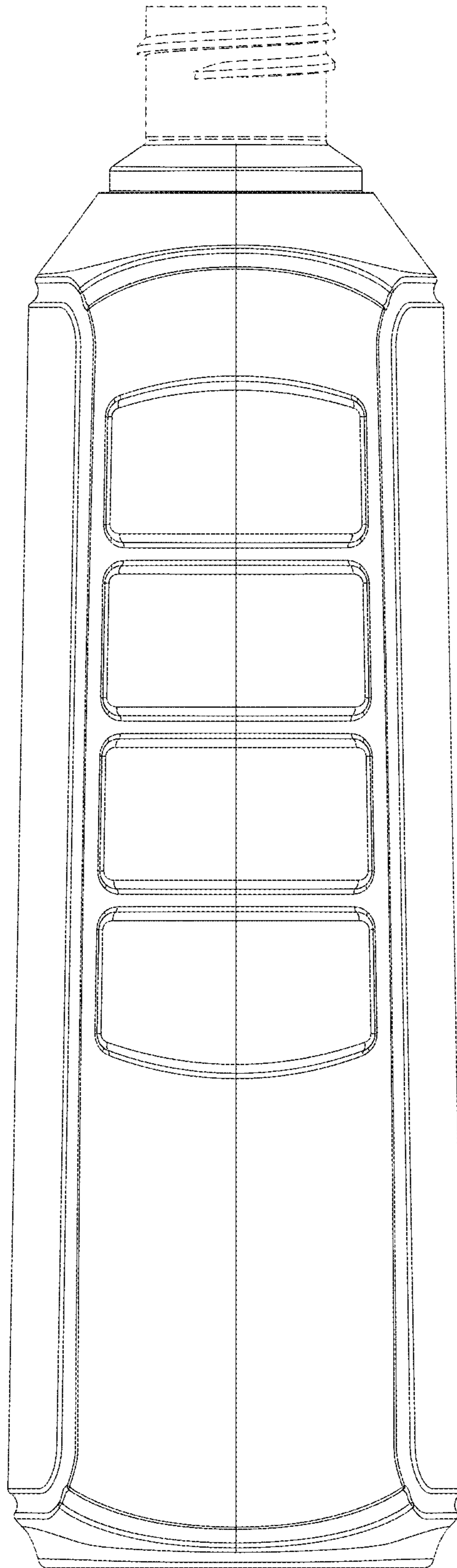


FIGURE 17

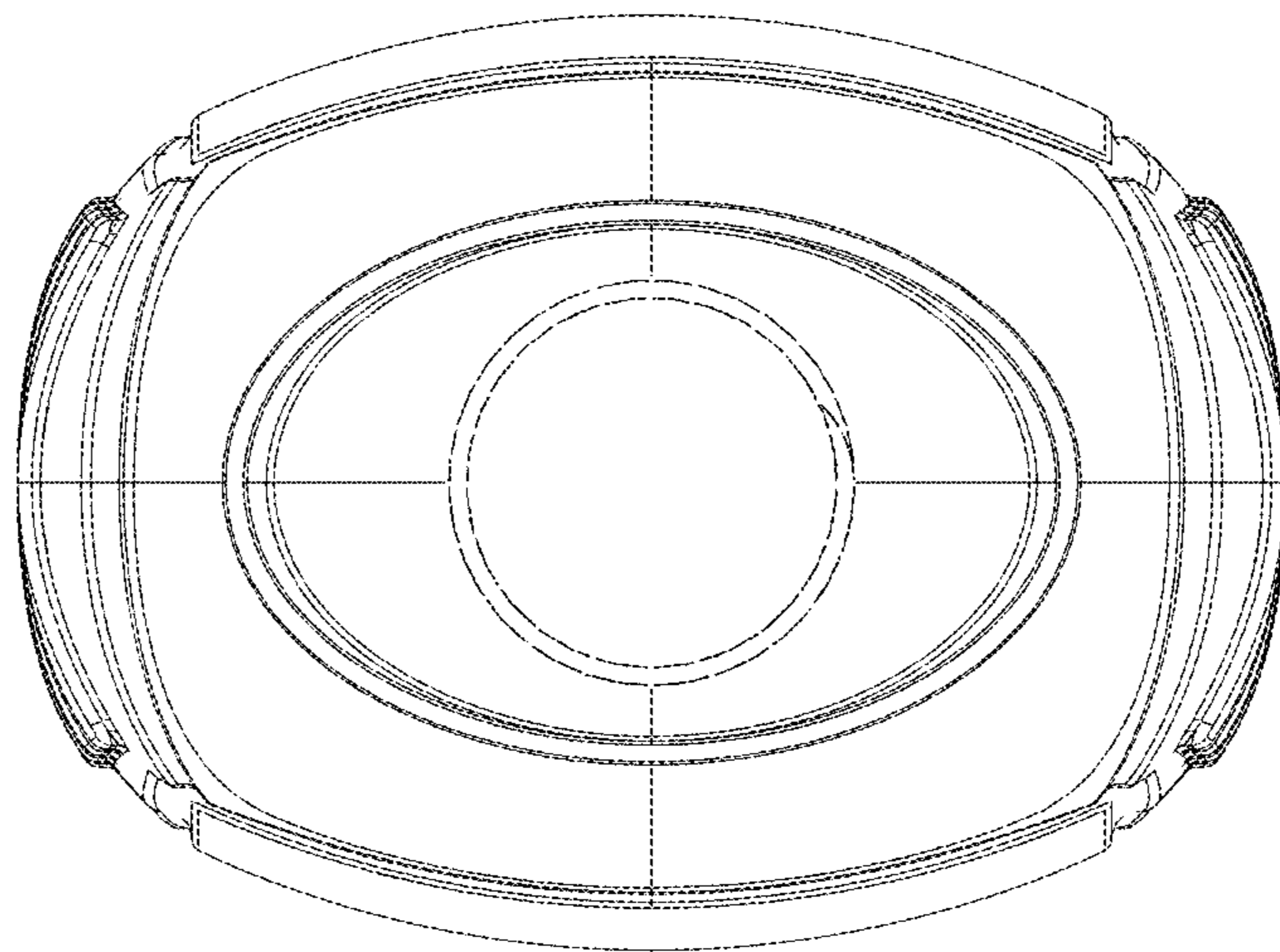


FIGURE 18

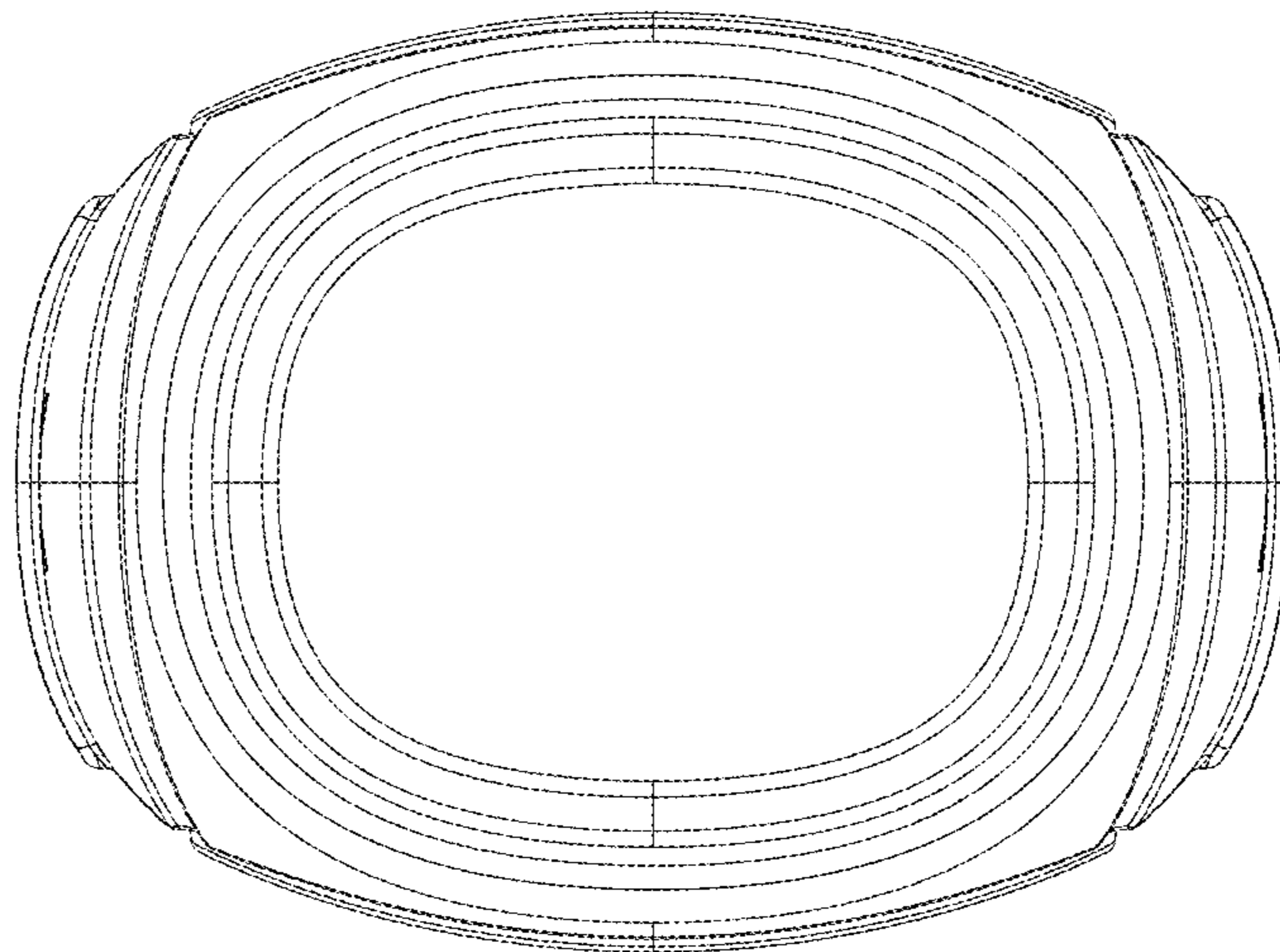


FIGURE 19

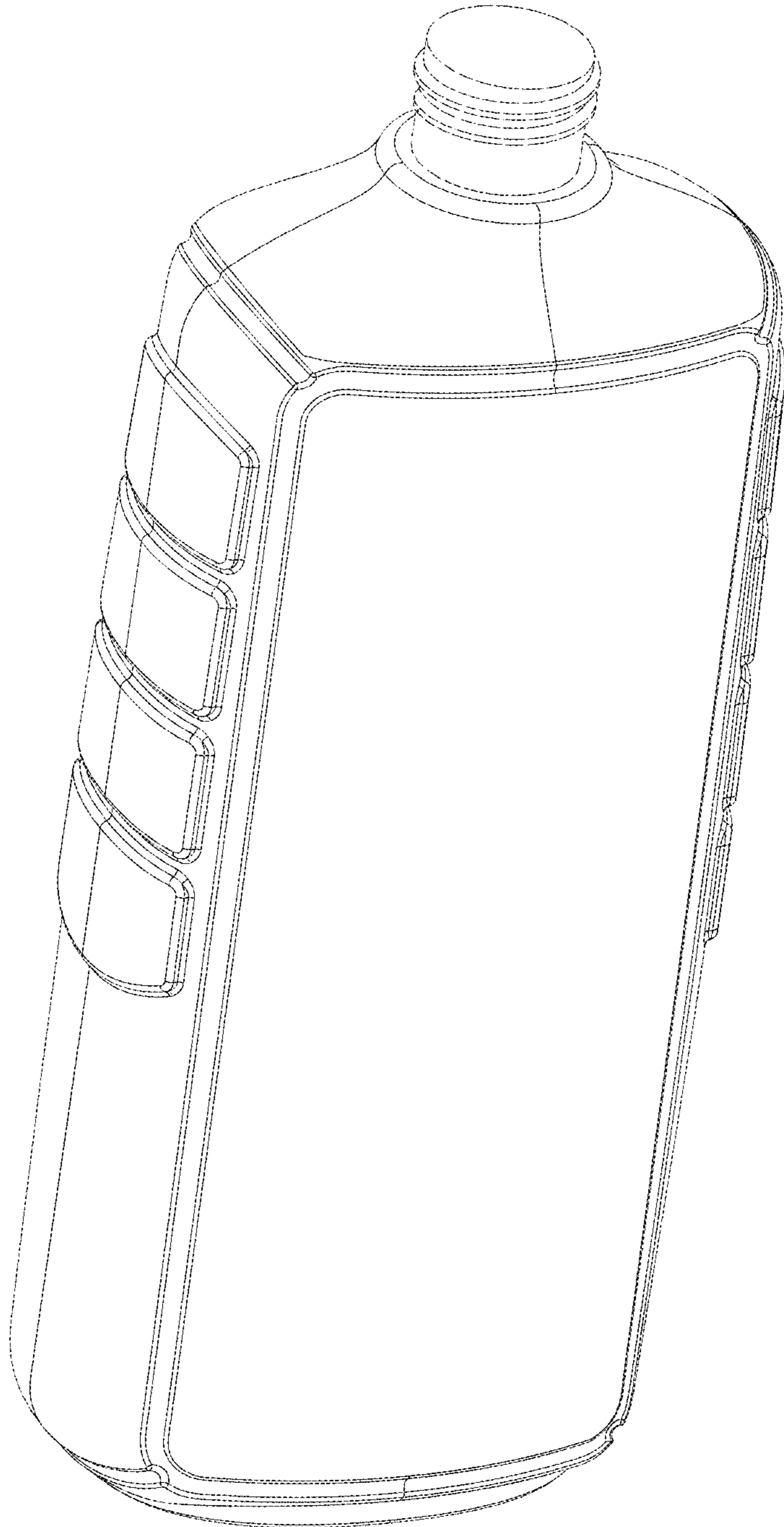


FIGURE 20

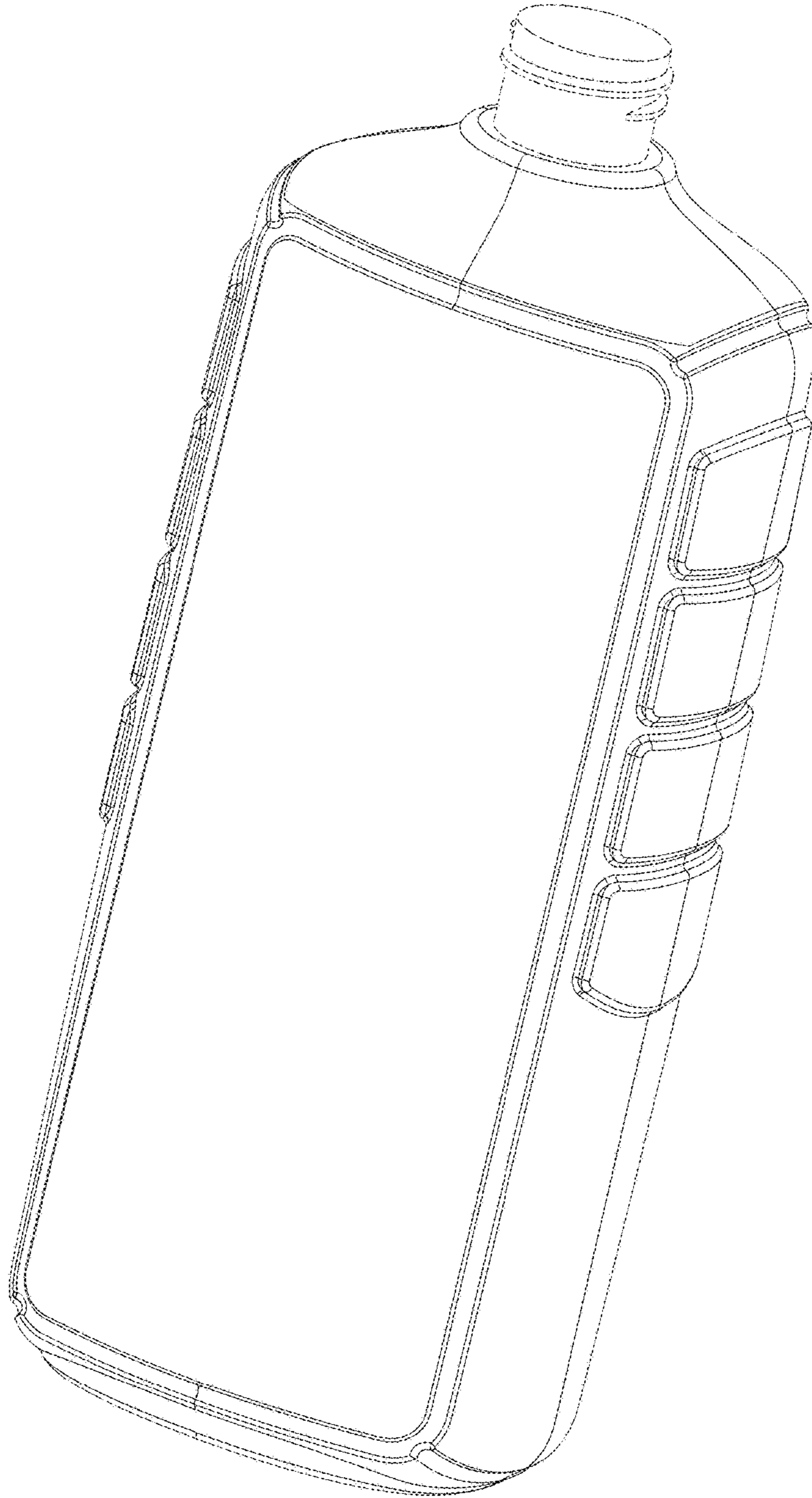


FIGURE 21

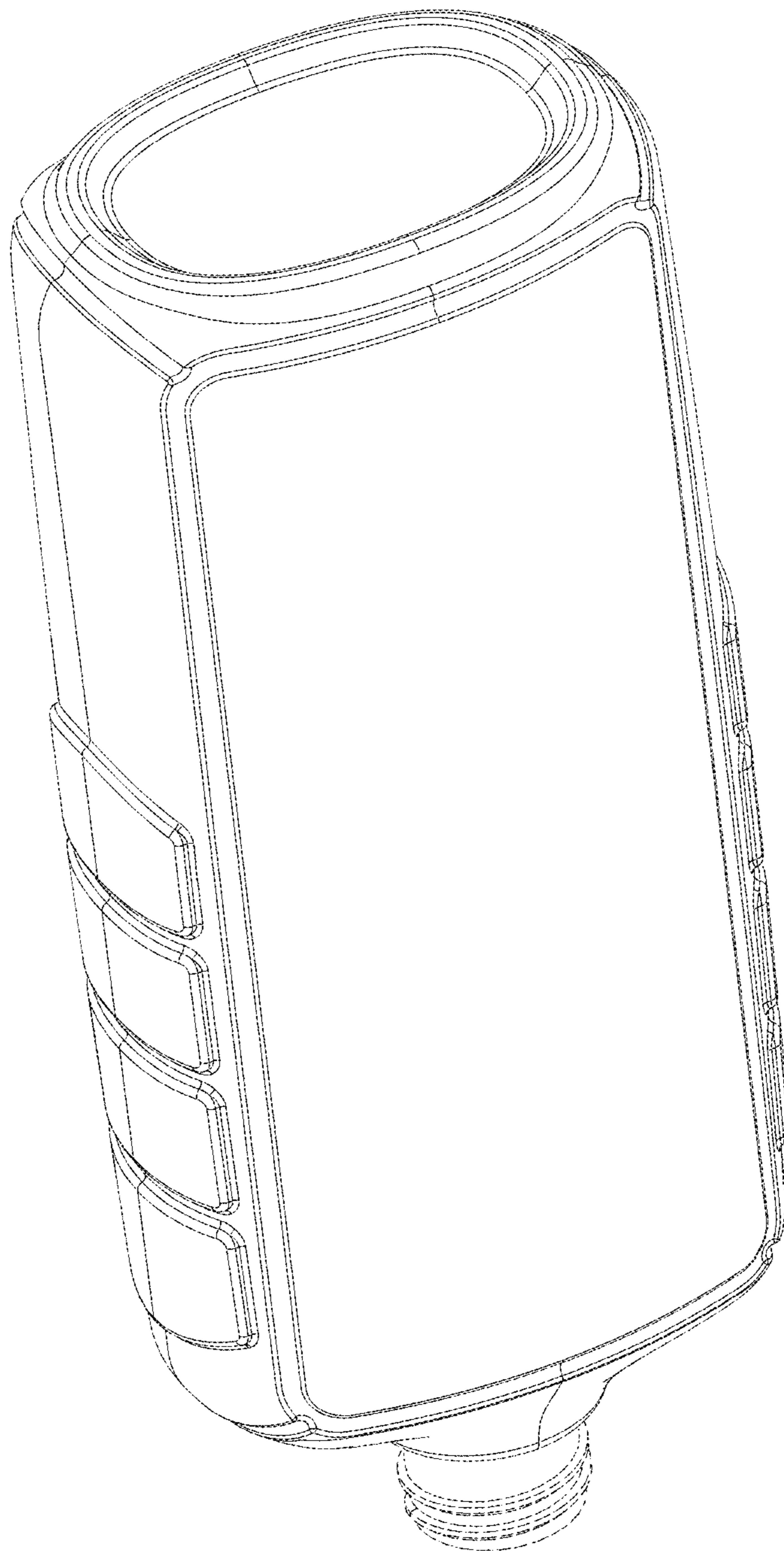


FIGURE 22

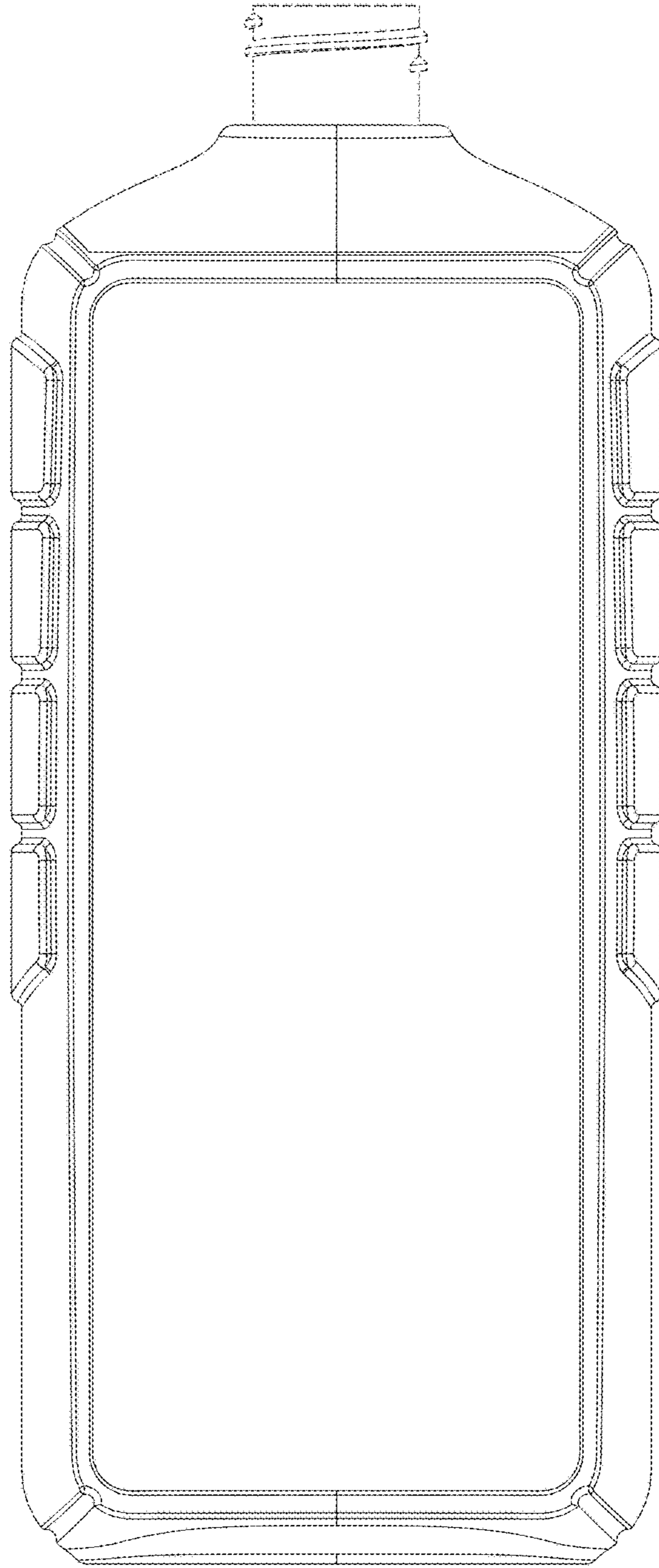


FIGURE 23

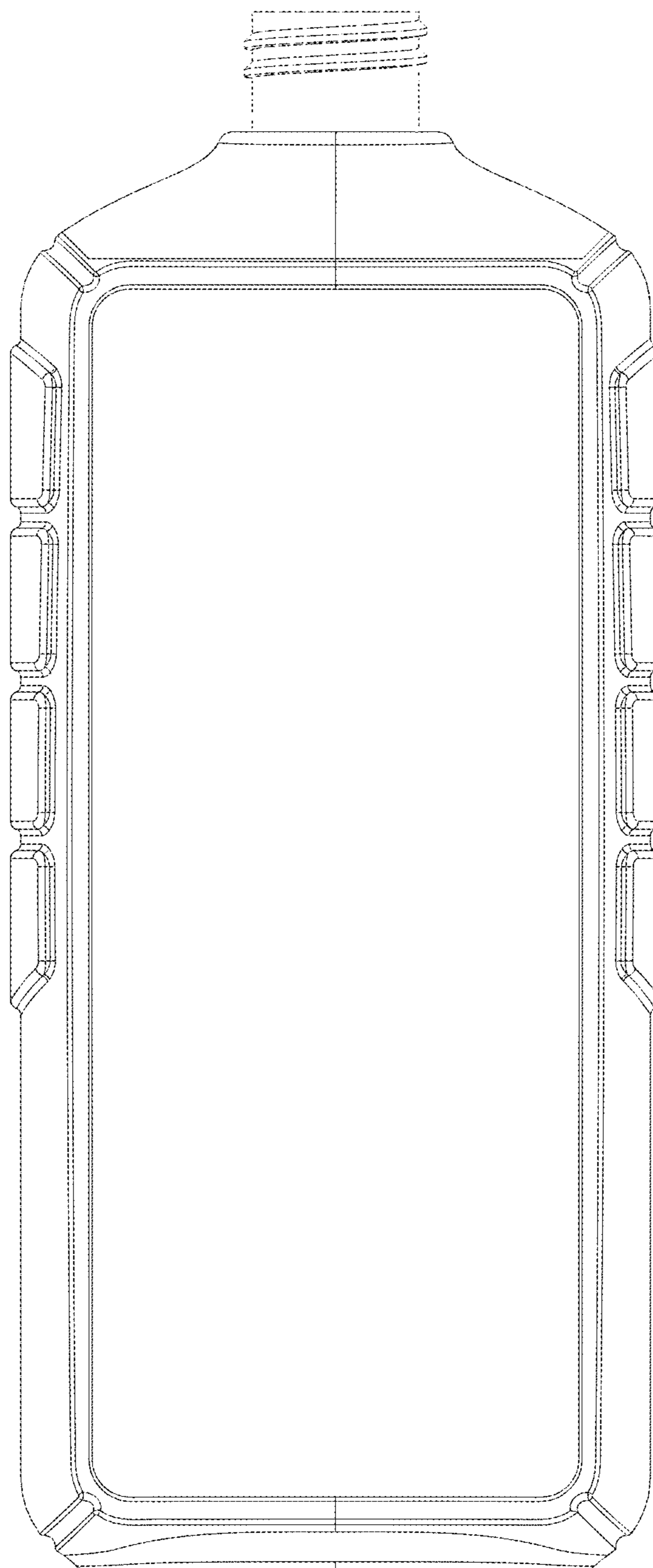


FIGURE 24

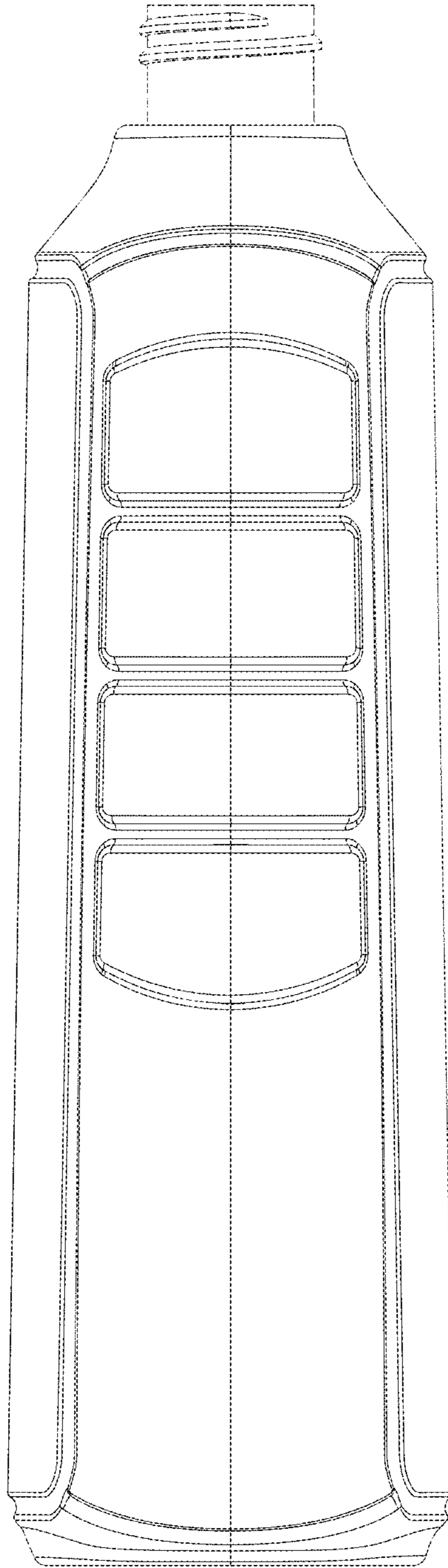


FIGURE 25

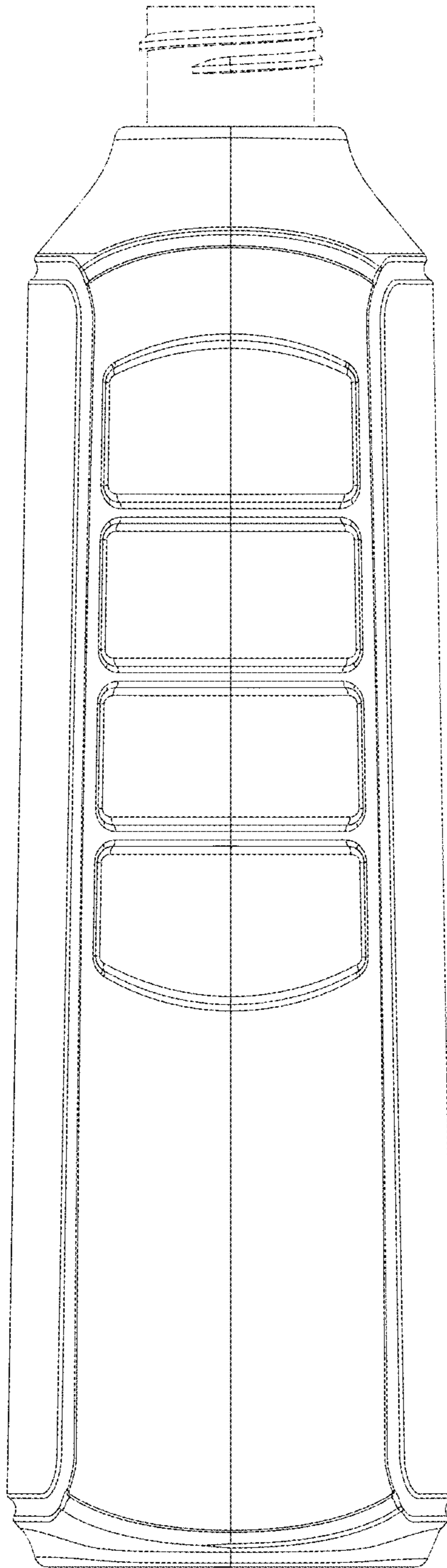


FIGURE 26

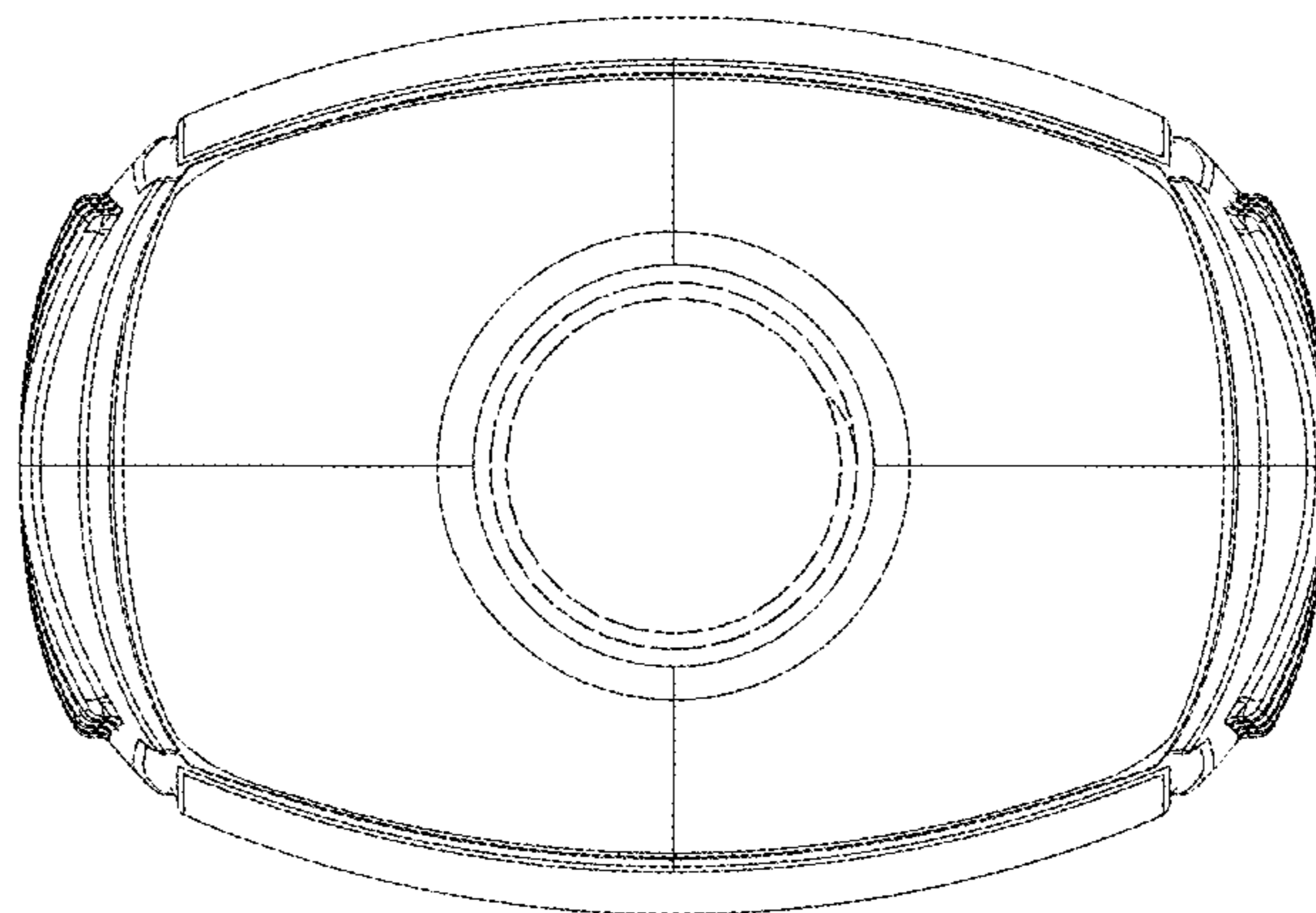


FIGURE 27

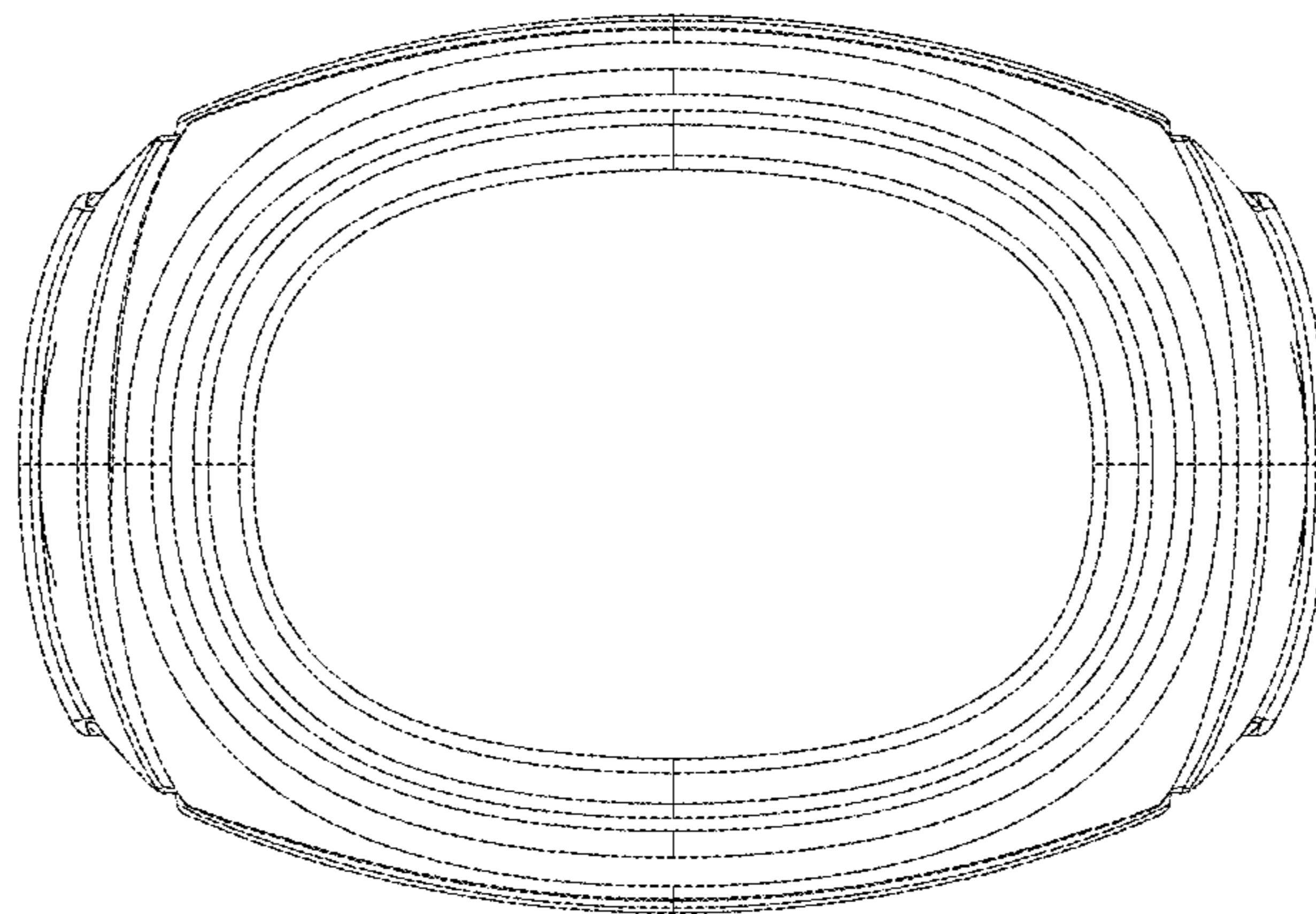


FIGURE 28

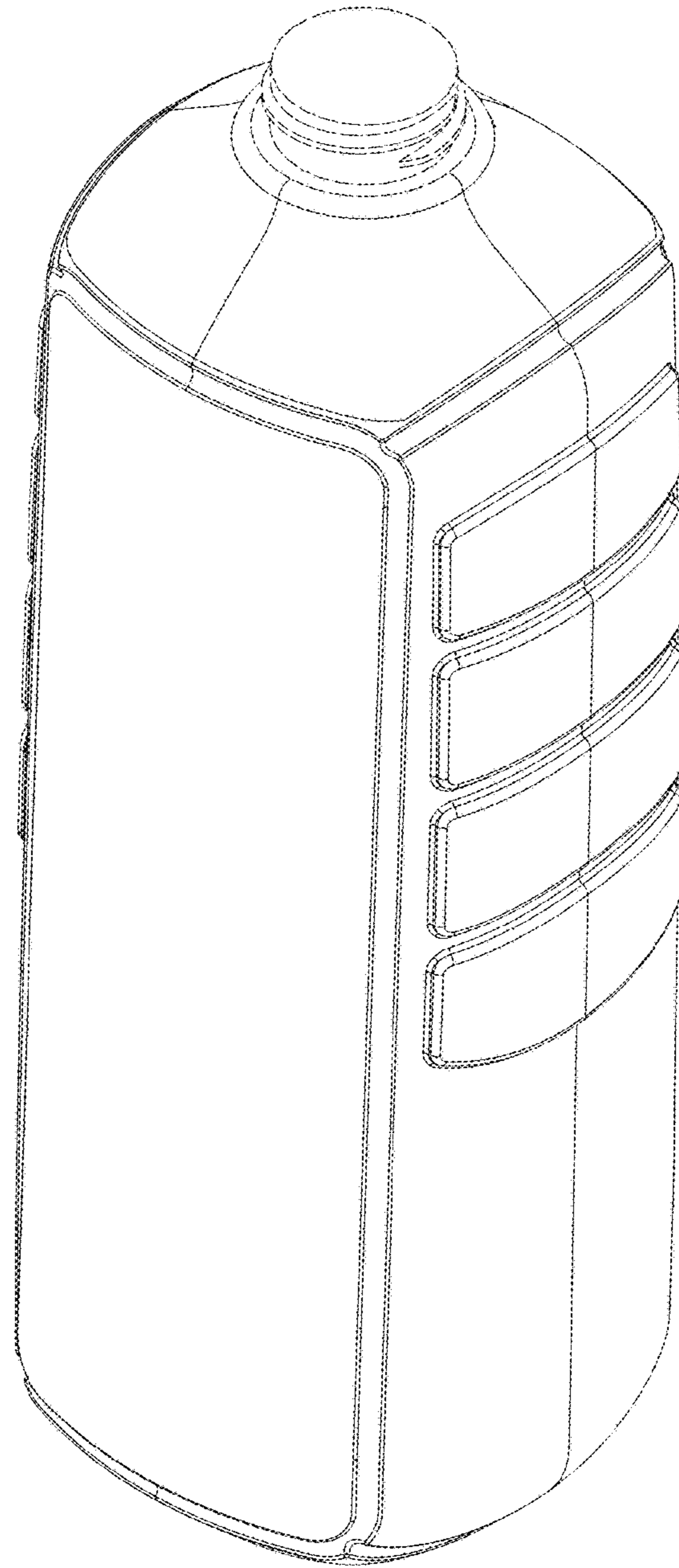


FIGURE 29

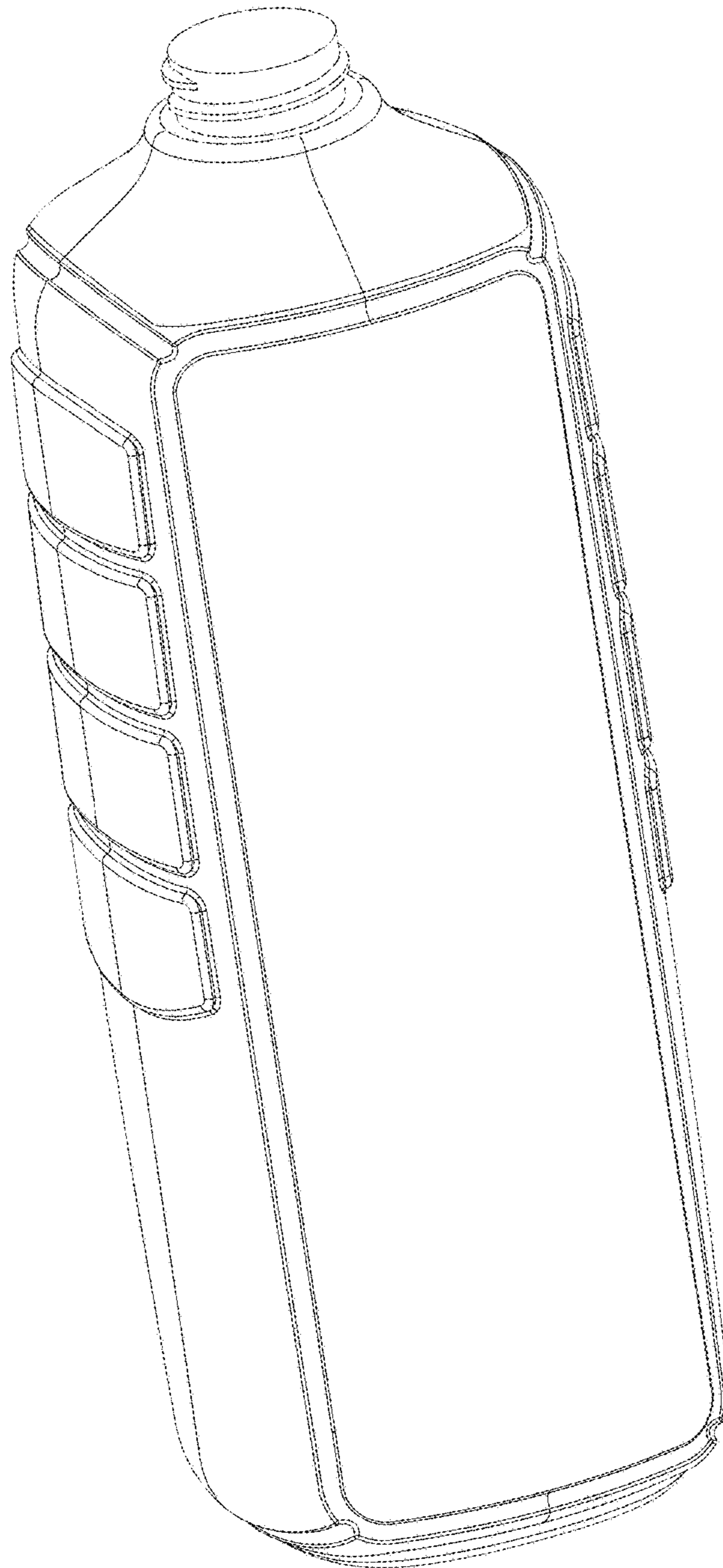


FIGURE 30

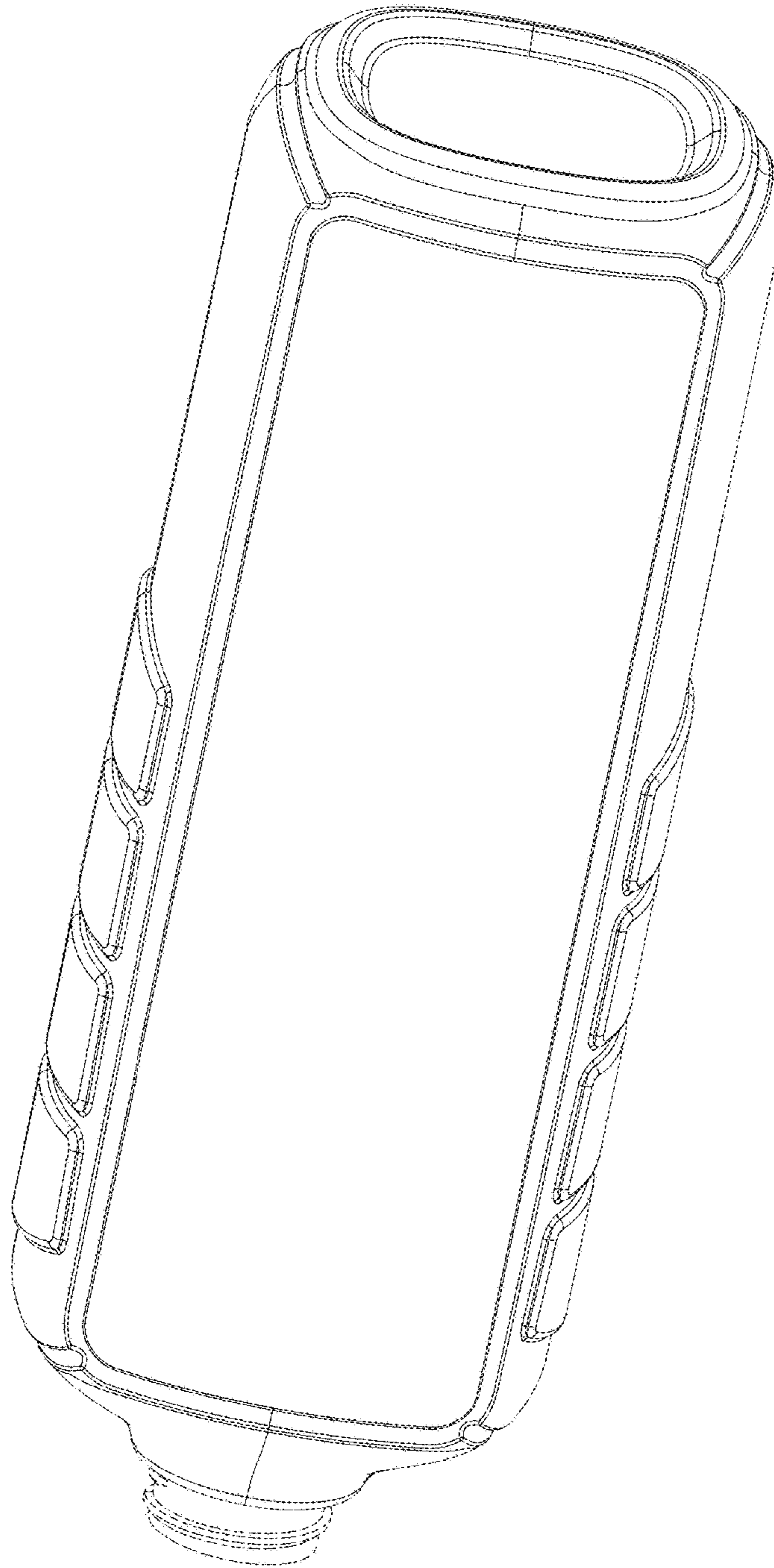


FIGURE 31

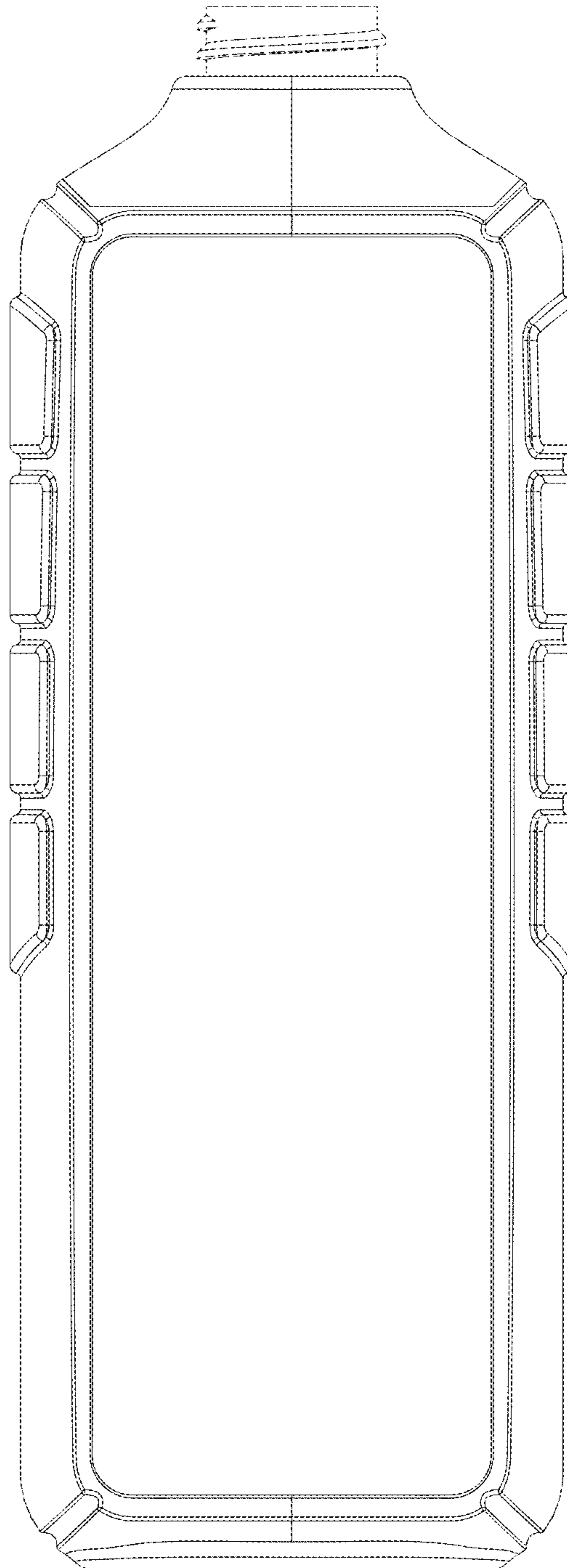


FIGURE 32

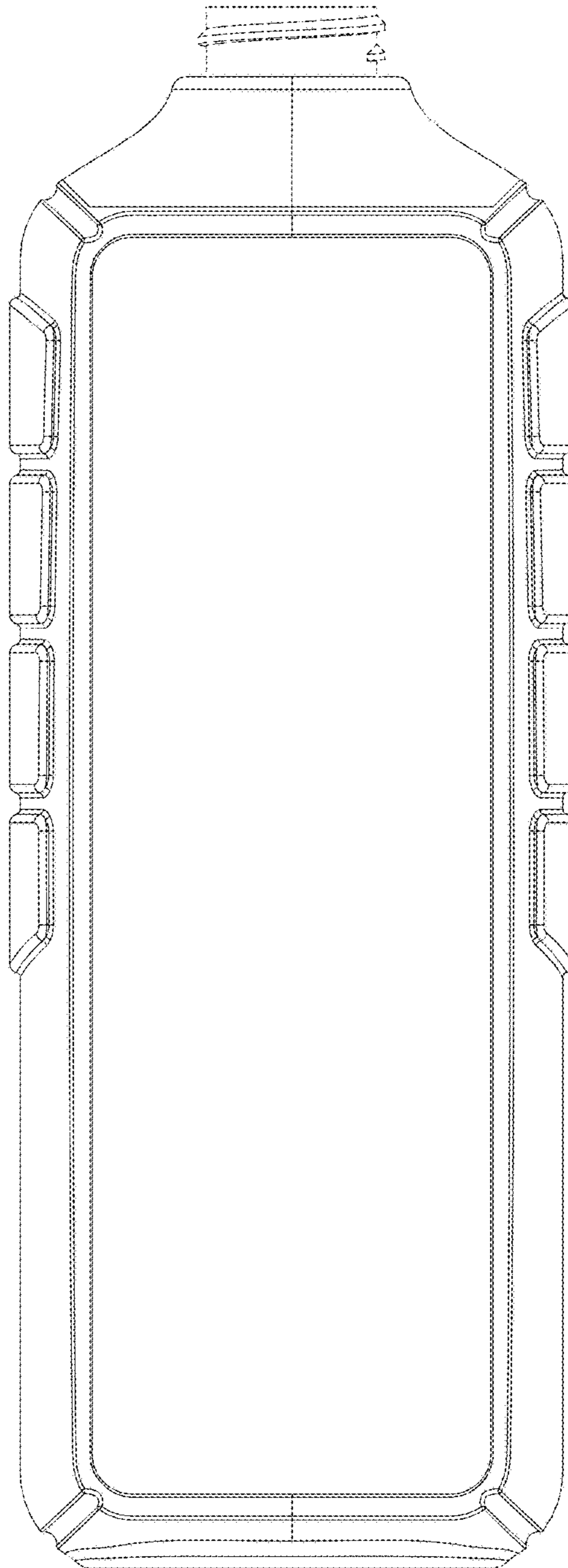


FIGURE 33

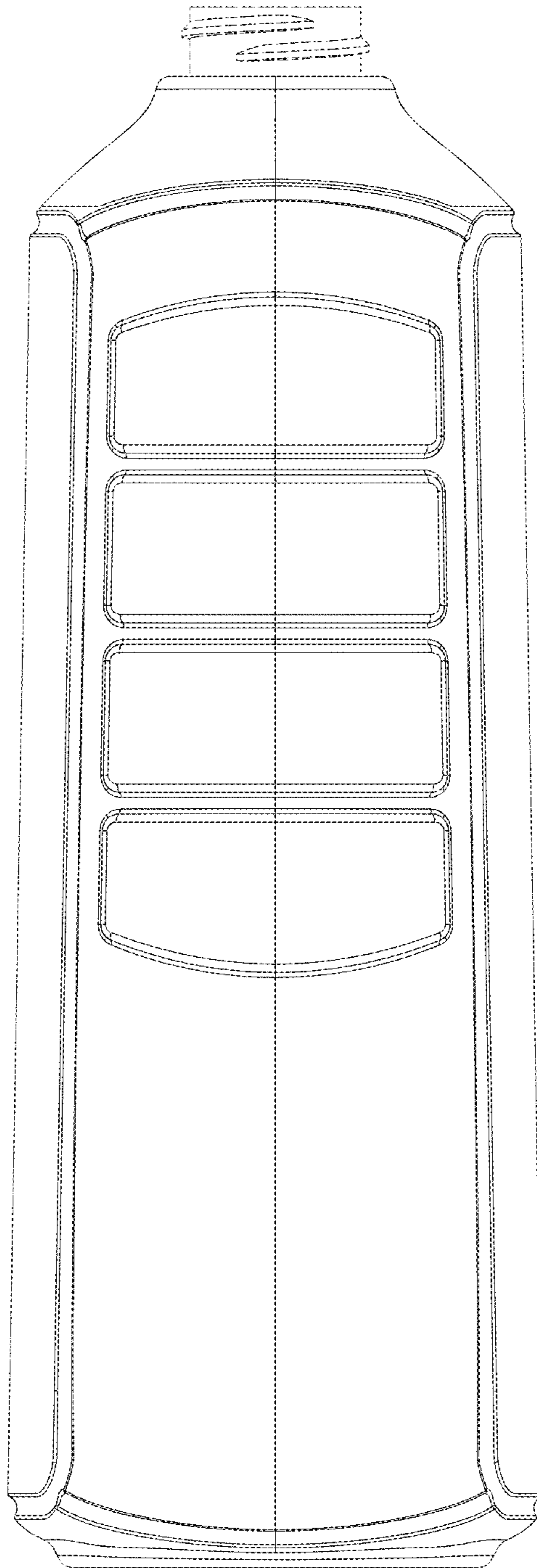


FIGURE 34

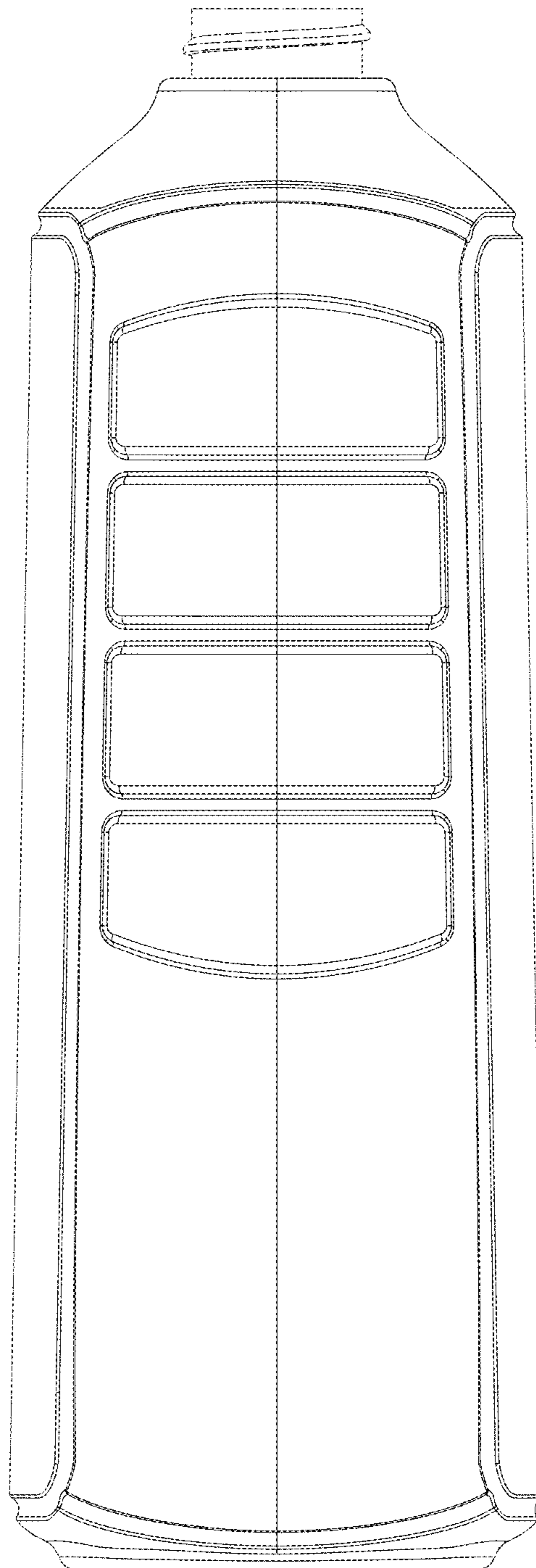


FIGURE 35

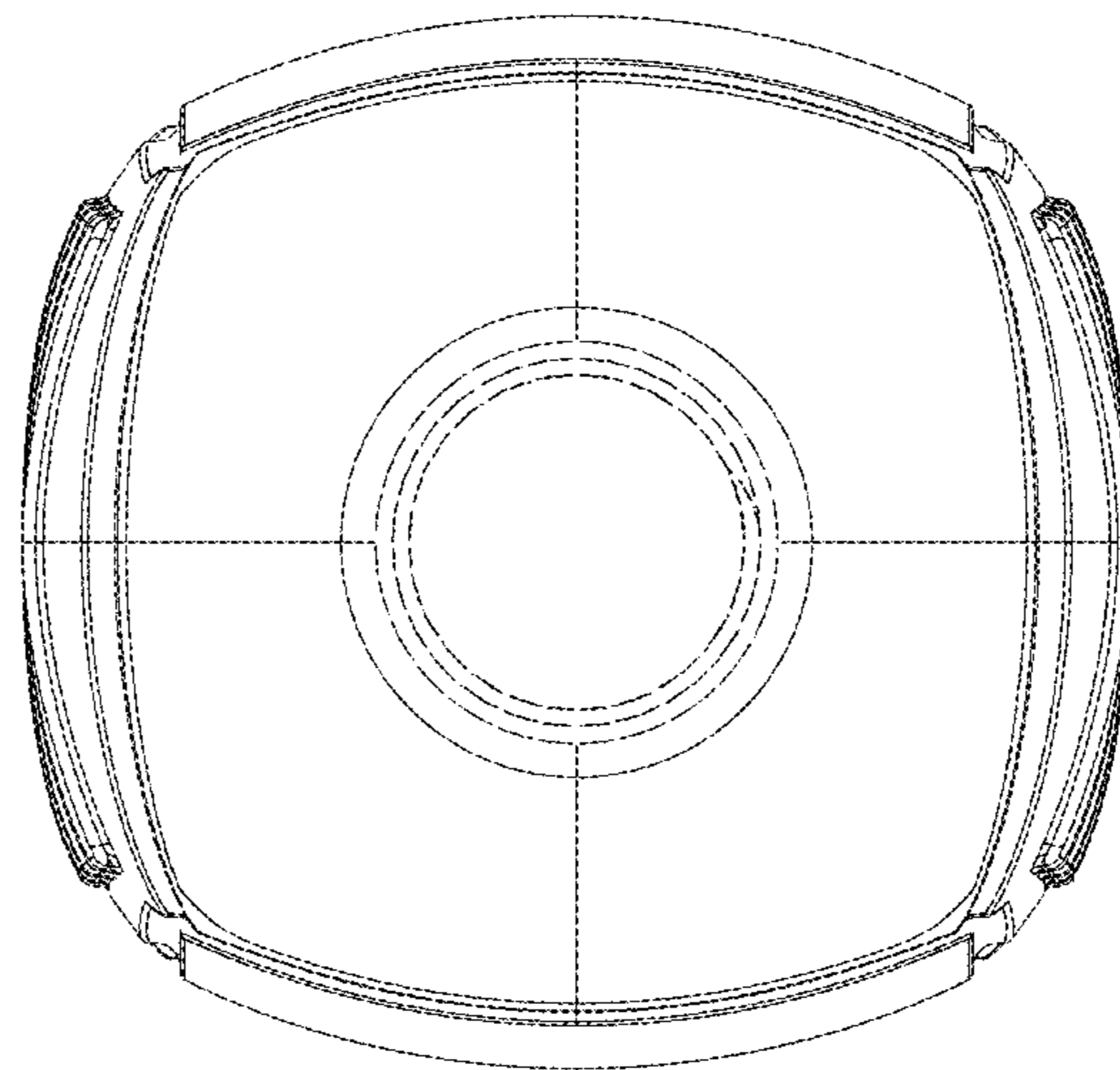


FIGURE 36

