



US00D783406S

(12) **United States Design Patent**
Melrose et al.

(10) **Patent No.:** **US D783,406 S**

(45) **Date of Patent:** **** Apr. 11, 2017**

(54) **BOTTLE**

(71) Applicants: **David Murray Melrose**, Auckland (NZ); **Jae Ho Cha**, Woodstock, GA (US); **Kris Tomasson**, Atlanta, GA (US); **Nicolas Eilken**, Hamburg (DE); **Sebastian Ronefeld**, Hamburg (DE)

(72) Inventors: **David Murray Melrose**, Auckland (NZ); **Jae Ho Cha**, Woodstock, GA (US); **Kris Tomasson**, Atlanta, GA (US); **Nicolas Eilken**, Hamburg (DE); **Sebastian Ronefeld**, Hamburg (DE)

(73) Assignee: **DP BEVERAGES LIMITED**, George Town, Grand Cayman (KY)

(**) Term: **14 Years**

(21) Appl. No.: **29/440,063**

(22) Filed: **Dec. 18, 2012**

(51) **LOC (10) Cl.** **09-01**

(52) **U.S. Cl.**
USPC **D9/537**; D9/516

(58) **Field of Classification Search**
USPC D9/500, 502-503, 516, 530, 537-543, D9/549-550, 552, 556, 558-559, 571,
(Continued)

(56) **References Cited**

U.S. PATENT DOCUMENTS

D61,658 S * 11/1922 Graham D9/538
D226,178 S * 1/1973 Bystedt et al. D9/773
(Continued)

FOREIGN PATENT DOCUMENTS

AU 349711 * 6/2014
AU 349712 * 6/2014
(Continued)

Primary Examiner — Dana L Meyrow

(74) *Attorney, Agent, or Firm* — McAndrews, Held & Malloy, Ltd.

(57) **CLAIM**

The ornamental design for a bottle, as shown and described.

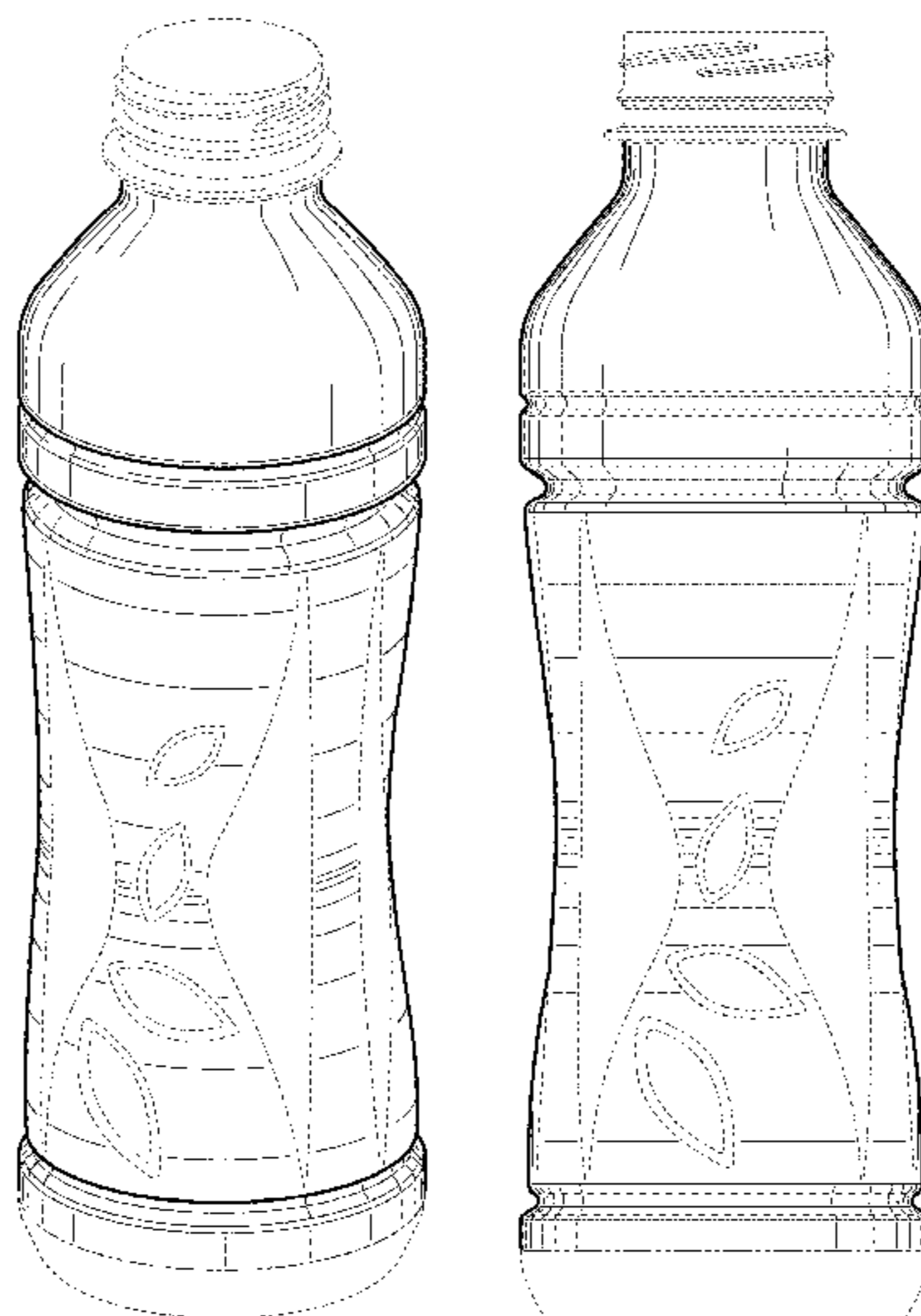
DESCRIPTION

FIG. 1 is a front left perspective view of a first embodiment of a bottle showing our new design; FIG. 2 is a left-side elevation view thereof; FIG. 3 is a right-side elevation view thereof; FIG. 4 is a front elevation view thereof; FIG. 5 is a rear elevation view thereof; FIG. 6 is a top plan view thereof; FIG. 7 is a bottom plan view thereof; FIG. 8 is a front left perspective view of a second embodiment of a bottle showing our new design; FIG. 9 is a left-side elevation view thereof; FIG. 10 is a right-side elevation view thereof; FIG. 11 is a front elevation view thereof; FIG. 12 is a rear elevation view thereof; FIG. 13 is a top plan view thereof; and, FIG. 14 is a bottom plan view thereof.

The uneven-length dot-dot-dash broken lines in the drawings define the bounds of the claimed design and form no part thereof. The even-length dashed broken lines in the drawings illustrate portions of the bottle that form no part of the claimed design.

The oblique line shading shown in Embodiment 2 (FIGS. 8-14) is used to denote that the claimed surfaces of the bottle that are transparent; the details of the opposing sides as seen through the claimed transparent surfaces of the bottle have not been shown for ease of illustration and understanding.

1 Claim, 8 Drawing Sheets



US D783,406 S

Page 2

(58) **Field of Classification Search**

USPC D9/575, 600, 655, 658, 715, 719;
215/379, 381-383; 220/660, 669, 675
CPC B65D 1/00; B65D 1/02; B65D 1/0223;
B65D 23/00; B65D 81/00; B65D
2501/00; B65D 2501/0009

See application file for complete search history.

(56) **References Cited**

U.S. PATENT DOCUMENTS

D453,112 S * 1/2002 Macky et al. D9/538
D535,885 S * 1/2007 Davis et al. D9/538
D536,618 S * 2/2007 Davis et al. D9/538
D538,658 S * 3/2007 Horne et al. D9/502
D547,664 S * 7/2007 Davis et al. D9/538
D560,508 S * 1/2008 Lepoitevin D9/658
D561,037 S * 2/2008 Boon D9/539
D566,560 S * 4/2008 Trost D9/516

D566,561 S * 4/2008 Trost D9/516
7,467,725 B2 * 12/2008 Tanaka et al. 215/381
7,581,654 B2 * 9/2009 Stowitts 215/383
D624,826 S * 10/2010 Lepoitevin D9/661
D630,103 S * 1/2011 Lepoitevin D9/667
D630,104 S * 1/2011 Boukobza D9/667
D630,105 S * 1/2011 Bourne D9/667
D637,495 S * 5/2011 Gill et al. D9/538
D648,633 S * 11/2011 Boukobza D9/538
D659,012 S * 5/2012 Subler D9/658
8,186,528 B2 * 5/2012 Melrose et al. 215/381
D673,252 S * 12/2012 Abbondanzio et al. D23/366
D713,517 S * 9/2014 Dodge et al. D23/366
2011/0186538 A1 * 8/2011 Strasser et al. 215/381

FOREIGN PATENT DOCUMENTS

CA 151606 * 12/2014
EM 002036228-0001 * 5/2012
EM 002253336 * 6/2013

* cited by examiner

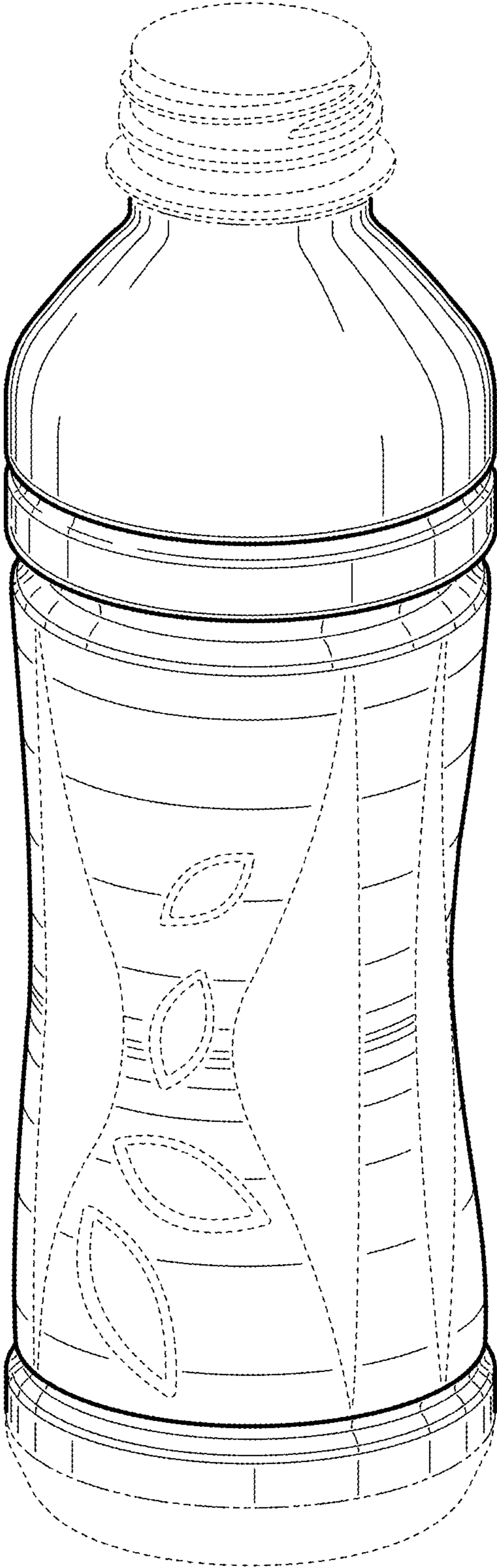


FIG. 1

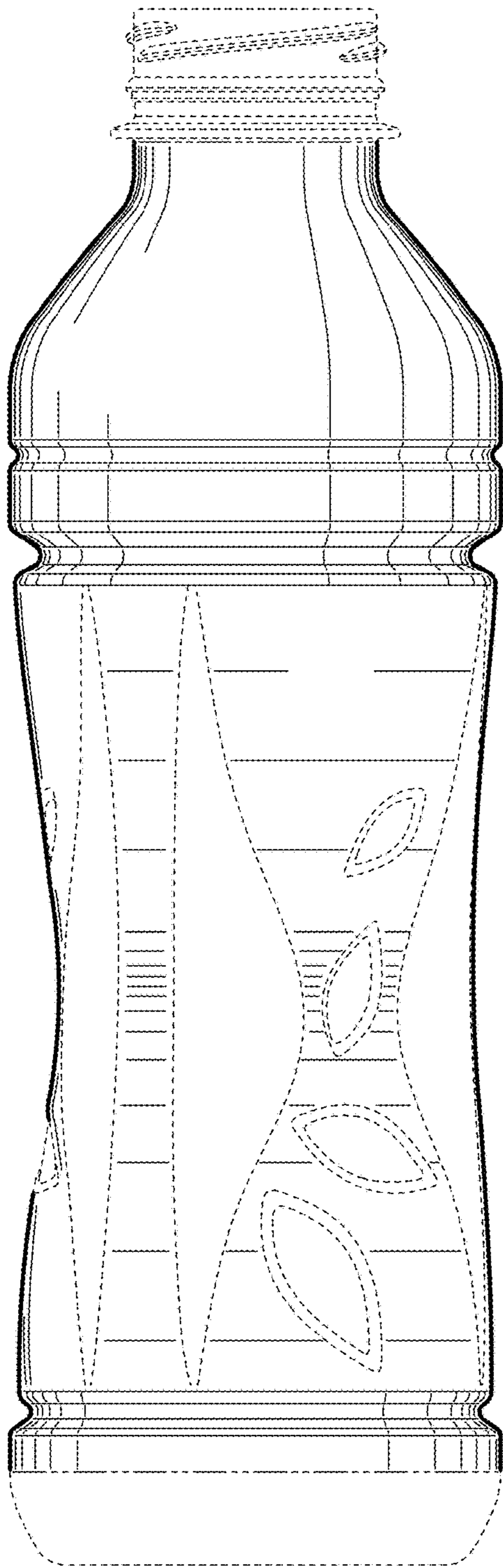


FIG. 2

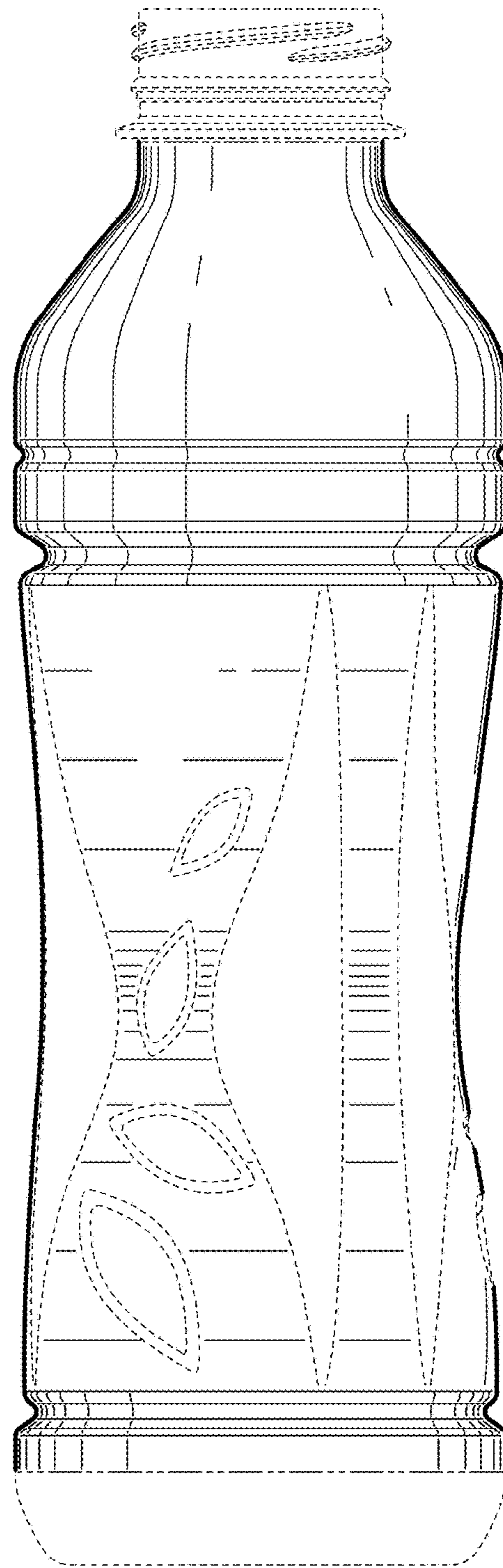


FIG. 3

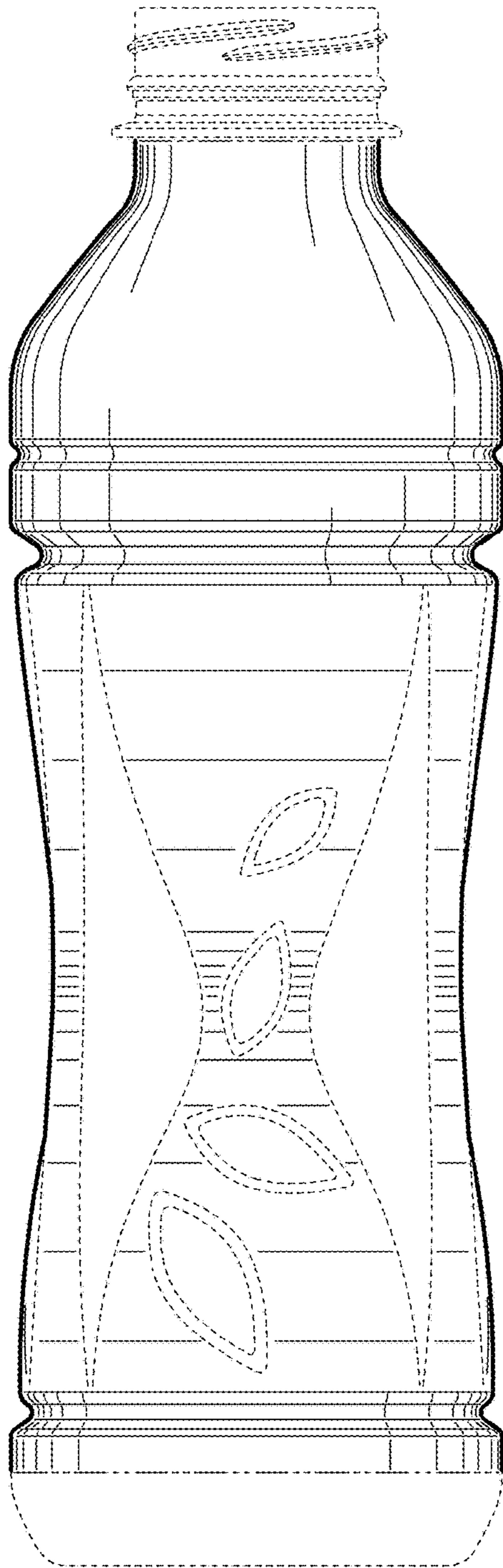


FIG. 4

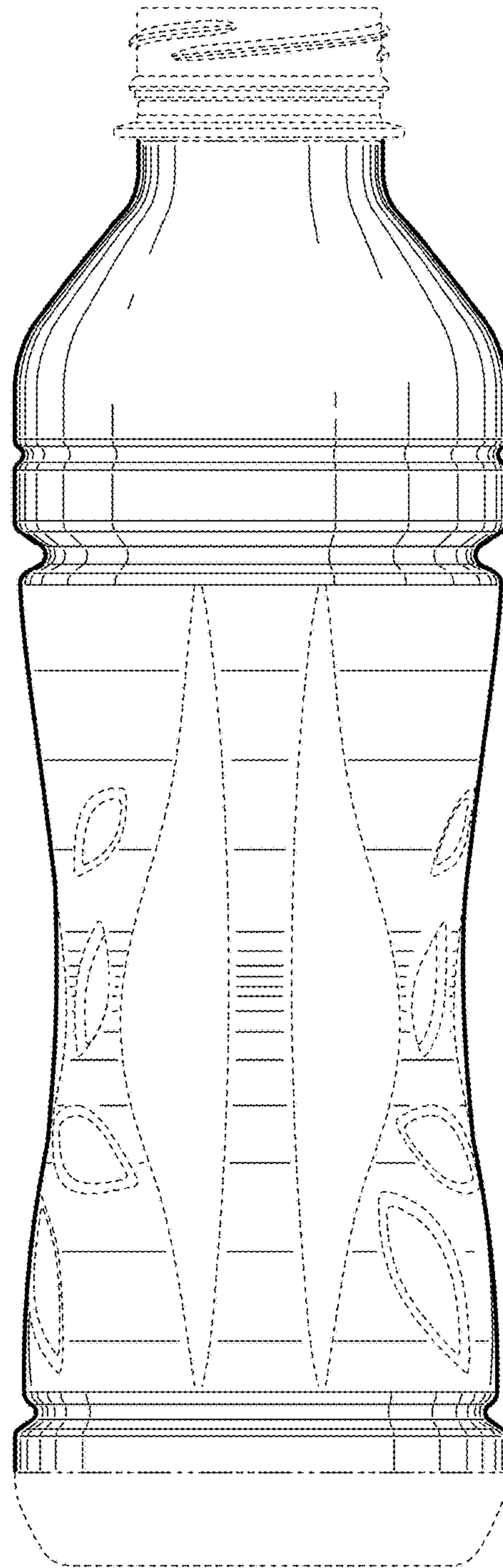


FIG. 5

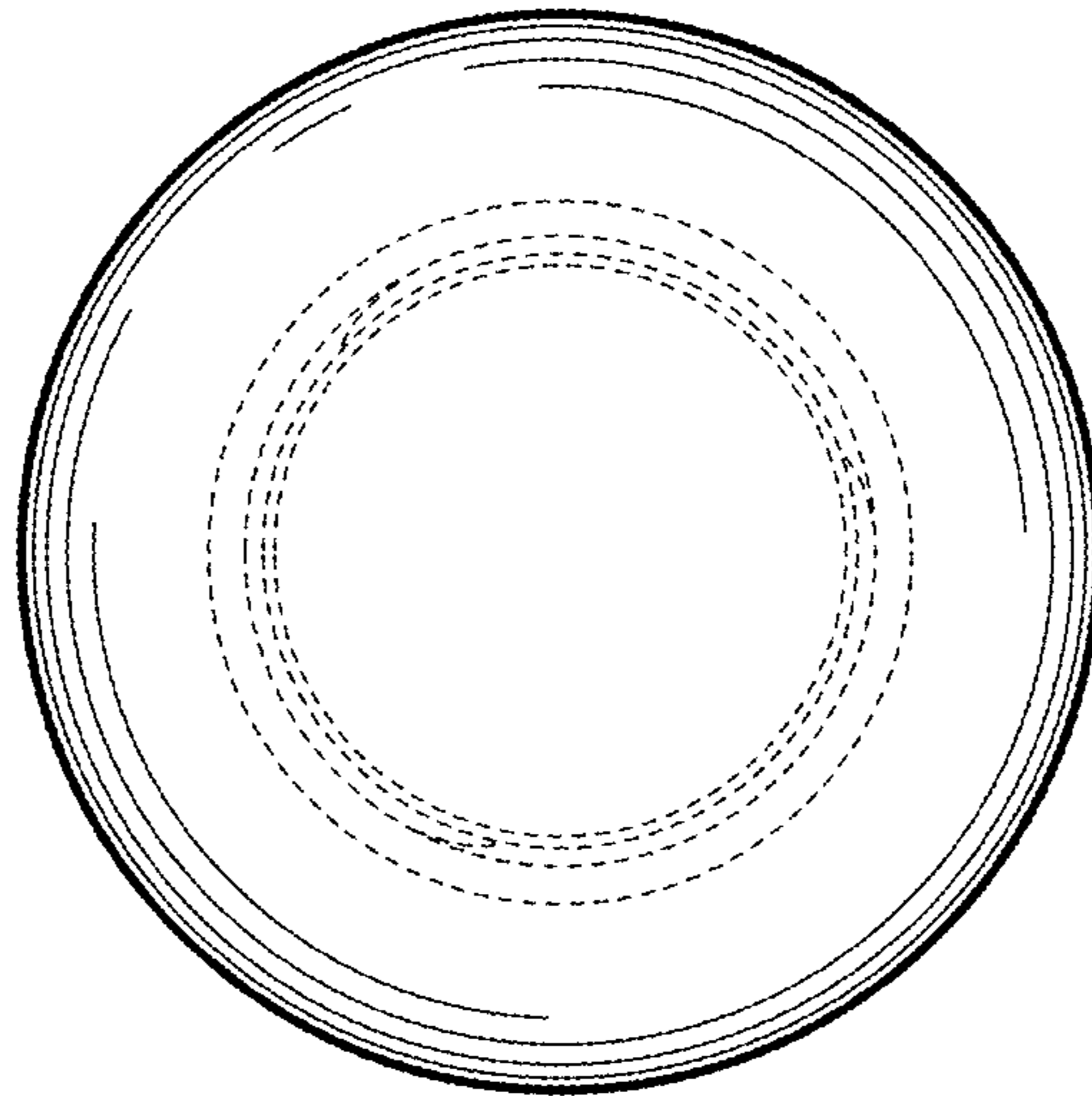


FIG. 6

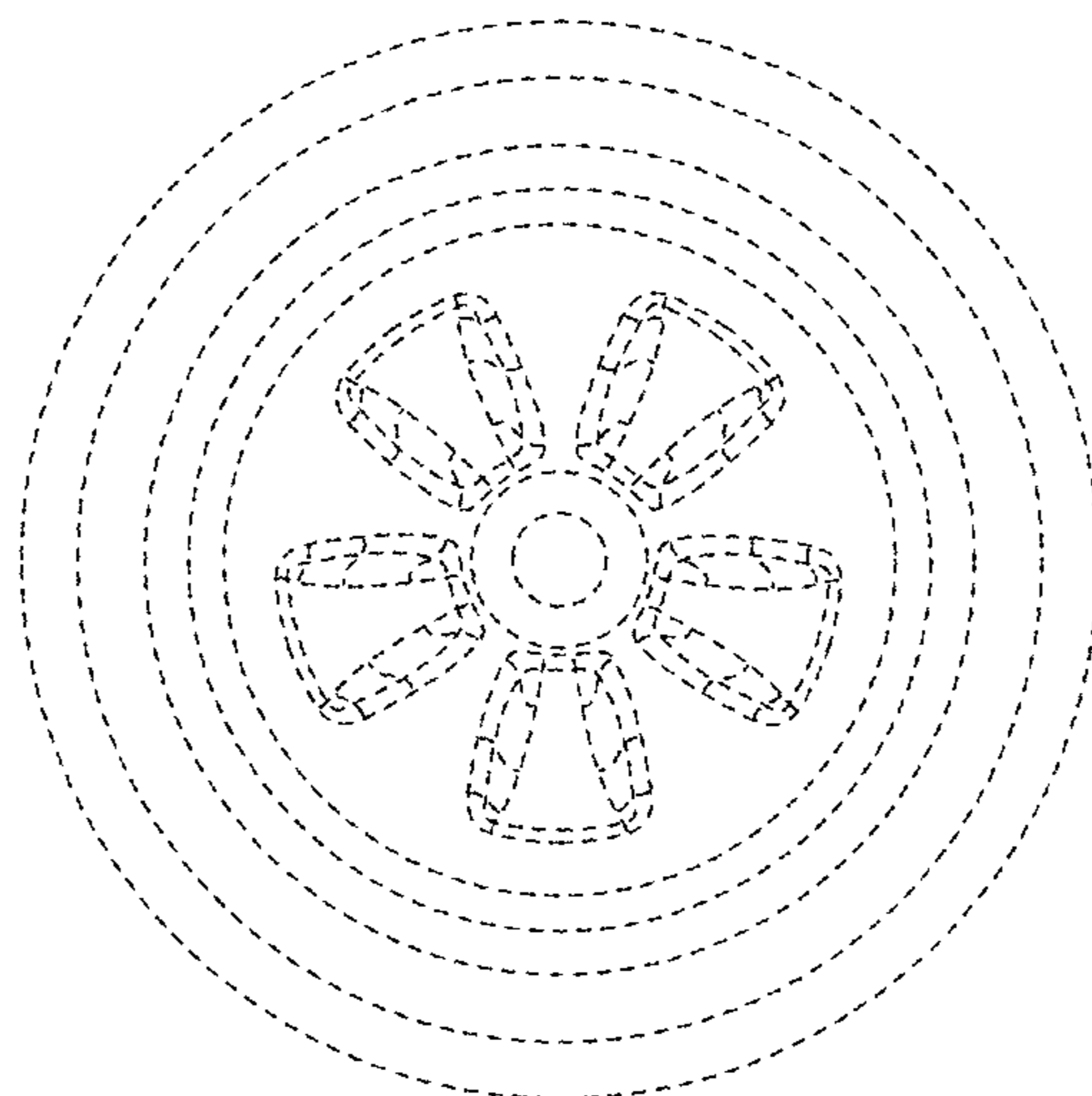


FIG. 7

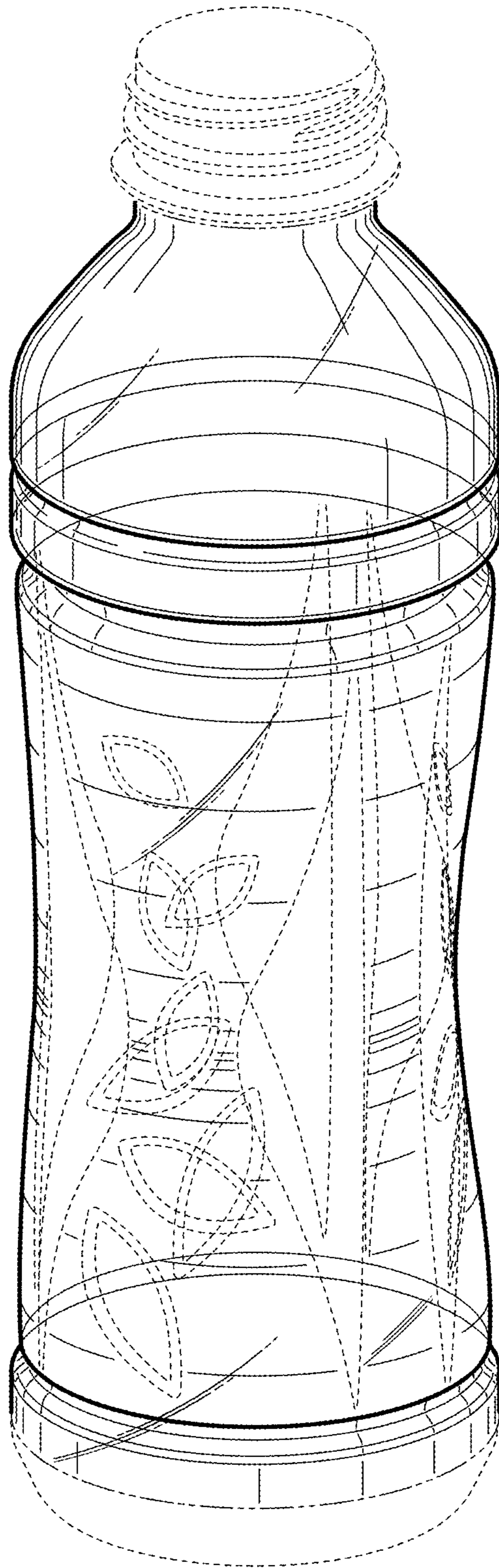


FIG. 8

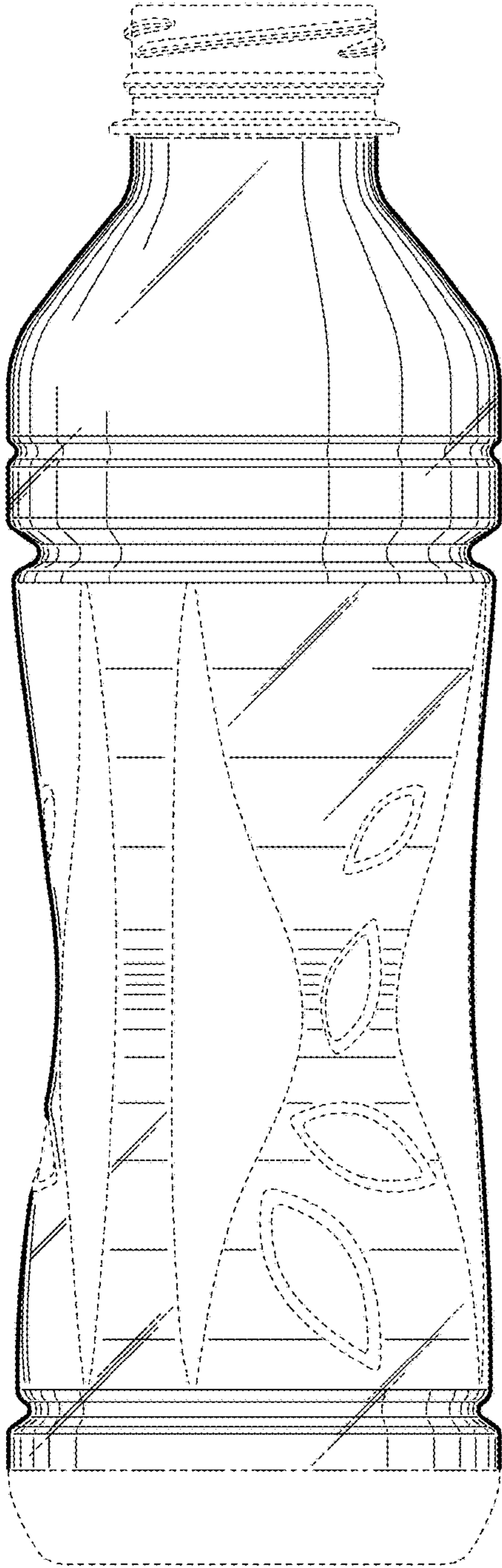


FIG. 9

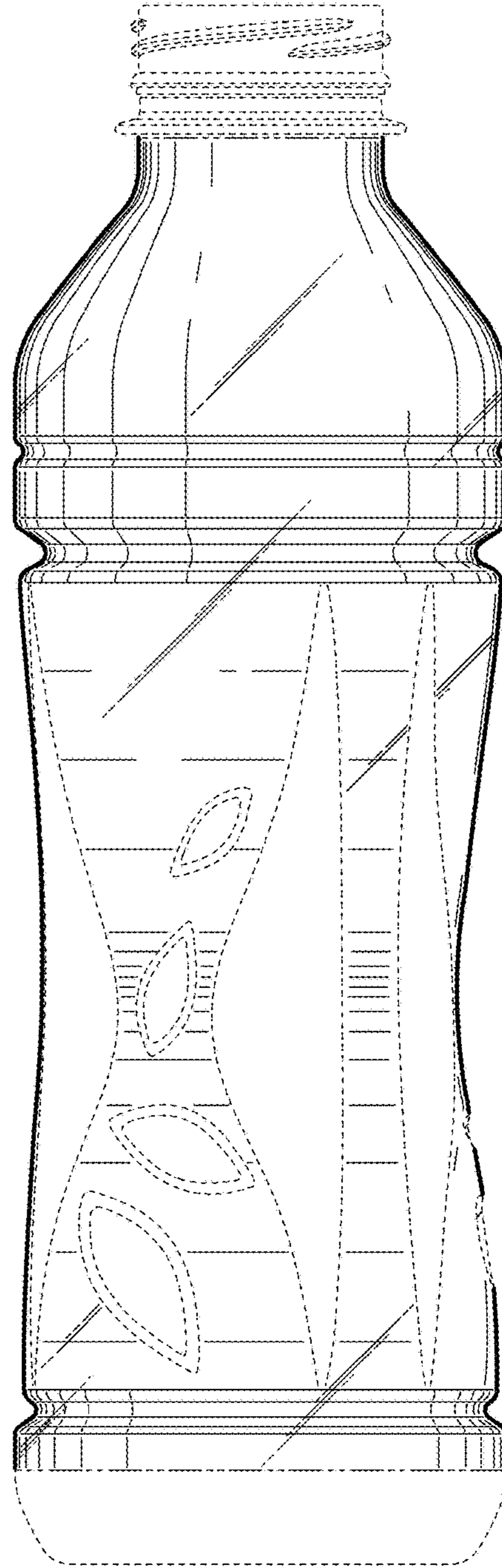


FIG. 10

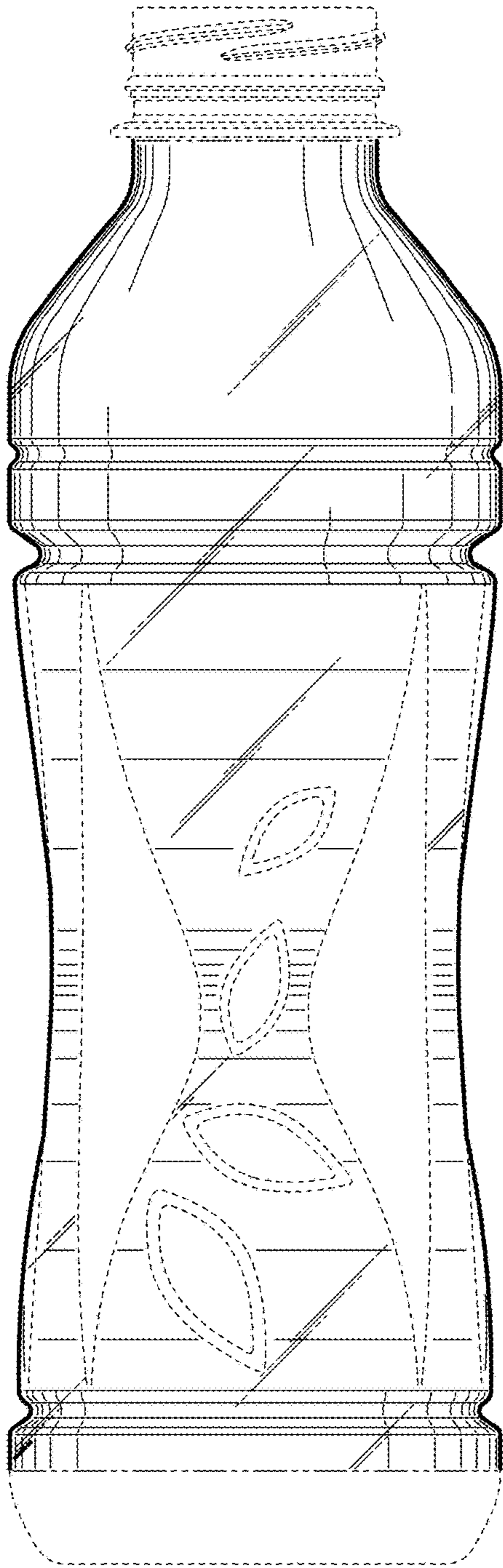


FIG. 11

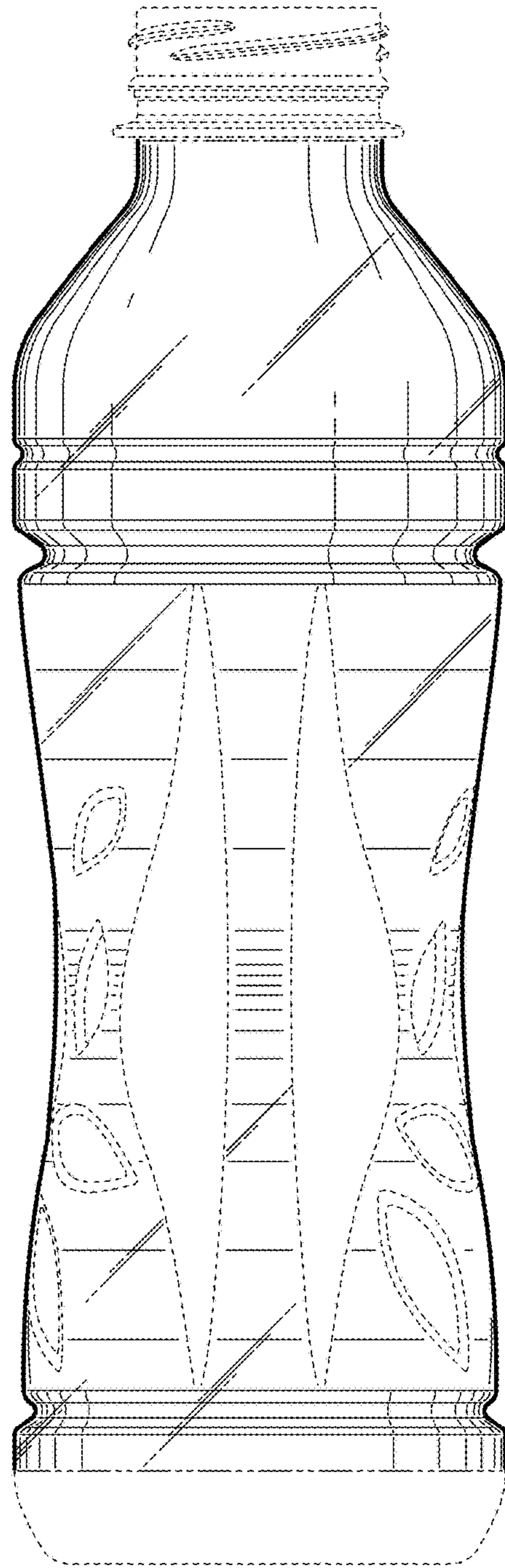


FIG. 12

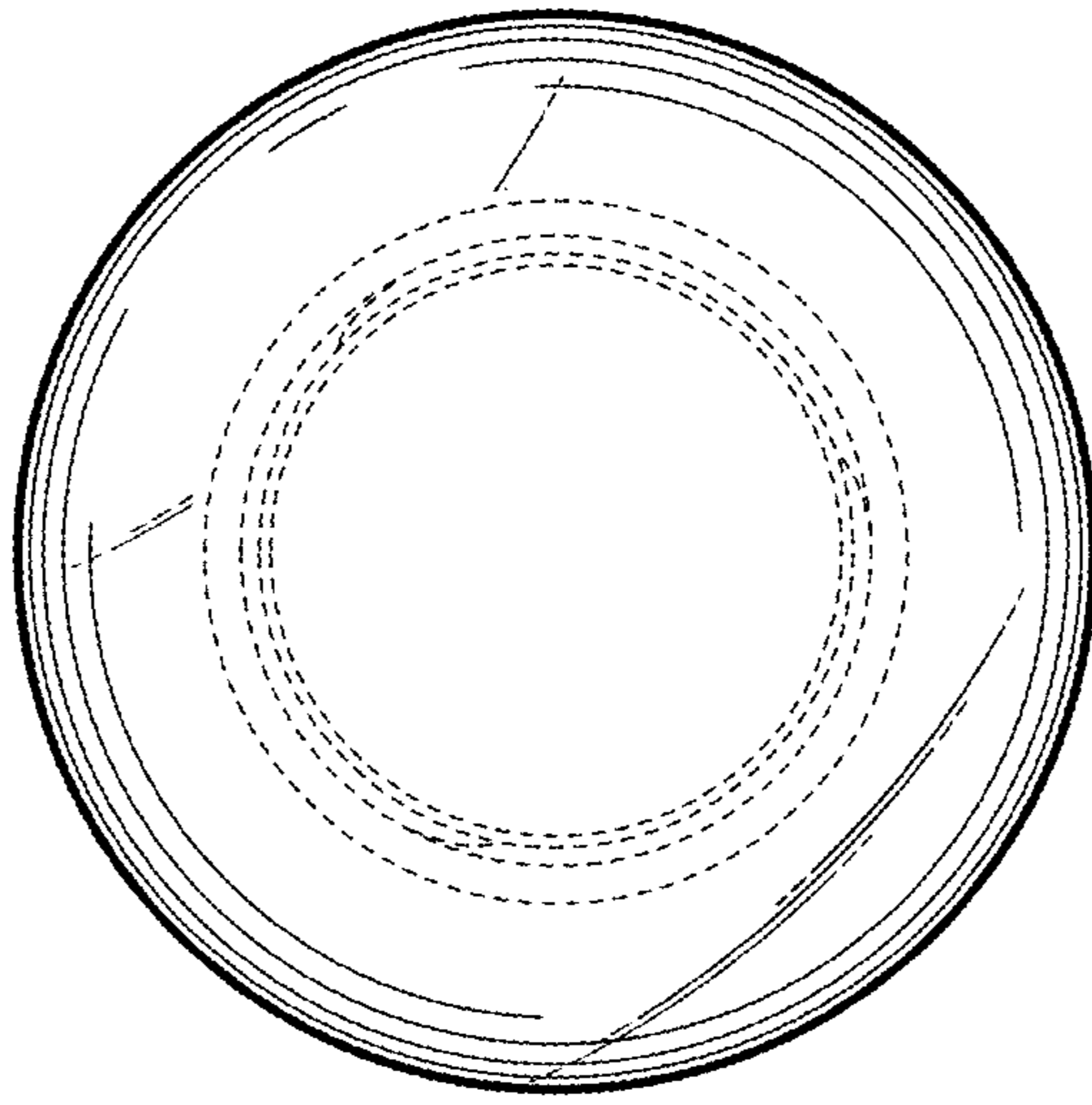


FIG. 13

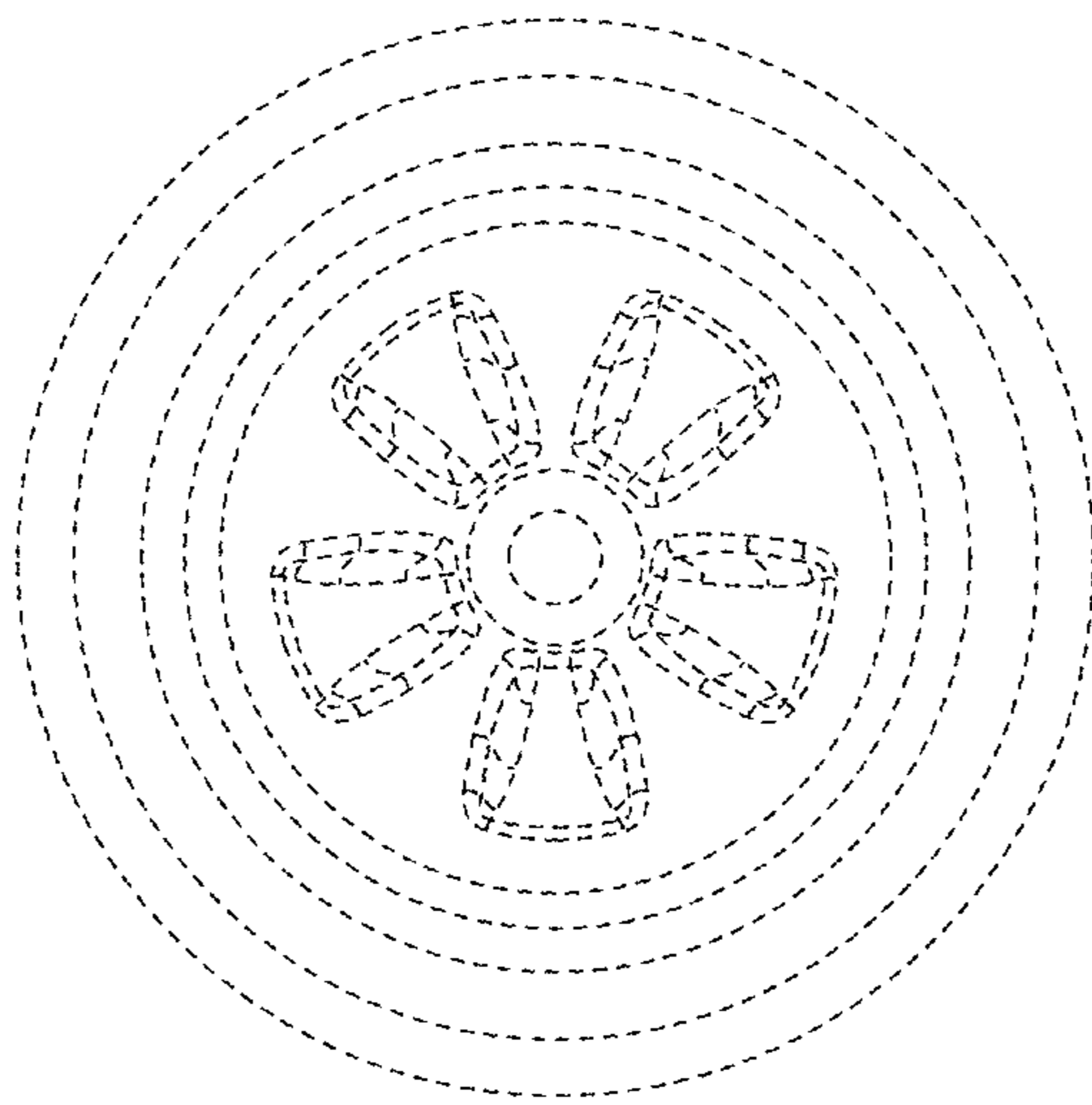


FIG. 14