



US00D783402S

(12) **United States Design Patent**
Martini et al.

(10) **Patent No.:** **US D783,402 S**

(45) **Date of Patent:** **** Apr. 11, 2017**

(54) **LID FOR PACKAGING**

(71) Applicant: **TETRA LAVAL HOLDINGS & FINANCE S.A.**, Pully (CH)

(72) Inventors: **Pietro Martini**, Parma (IT); **Livio Veronesi**, San Felice sul Panaro (IT); **Franco Cani**, Asti (IT); **Ivan Orlandi**, Savignano sul Panaro (IT); **Domenico Didonna**, Modena (IT); **Massimiliano Cereda**, Modena (IT); **Davide Corradi**, Soliera (IT); **Rocco De Paola**, Modena (IT); **Diego Cavanna**, Formigine (IT)

(73) Assignee: **TETRA LAVAL HOLDINGS & FINANCE S.A.**, Pully (CH)

(**) Term: **14 Years**

(21) Appl. No.: **29/525,103**

(22) Filed: **Apr. 27, 2015**

(30) **Foreign Application Priority Data**

Nov. 25, 2014 (EM) 002584656

(51) **LOC (10) Cl.** **09-07**

(52) **U.S. Cl.**
USPC **D9/452**; D9/434; D9/435

(58) **Field of Classification Search**
USPC D3/202, 203.1, 203.2, 318, 273, 275, D3/294; D7/300, 300.1, 216, 317, 387, D7/391, 392.1, 393, 396.2, 509, 510, 511, D7/523, 525-531, 538, 541, 549, 629, D7/703, 900; D9/434, 435, 436, 438, D9/439, 440, 443, 446, 447, 448, 449, D9/450, 452, 453, 454, 502, 503, 504, D9/516, 517, 529; D8/349, 350, 352; D10/123, 126; D19/70, 71, 115, 162, D19/163, 165, 192, 194; D24/121, 127, D24/199, 224; D28/7, 76, 78, 82, 85, 91; D26/36, 123, 124; D34/1, 7, 10, 11, 39;

206/216, 219, 541, 222, 221, 220; 215/306, 305, 228, 200; 220/212.5, 200; 222/81, 83, 556, 533, 530, 519, 205, 192, 222/158, 153.01

CPC B65D 50/041; B65D 23/00; B65D 1/00; B65D 1/02; B65D 1/0223; B65D 2501/00; B65D 2501/0009; B65D 83/06; A47G 18/22; A47G 18/23

See application file for complete search history.

(56) **References Cited**

U.S. PATENT DOCUMENTS

D351,793 S * 10/1994 Stoller D9/443
5,785,193 A * 7/1998 Kobayashi B65D 47/0814
16/227
D576,875 S * 9/2008 Steiger D9/438
D599,669 S * 9/2009 Webster D9/529
D607,324 S * 1/2010 Cho D9/453

(Continued)

Primary Examiner — Thomas Johannes

Assistant Examiner — Catherine Posthauer

(74) *Attorney, Agent, or Firm* — Buchanan Ingersoll
Rooney PC

(57) **CLAIM**

The ornamental design for a lid for packaging, as shown and described.

DESCRIPTION

FIG. 1 is a perspective view of a lid for packaging showing our new design.

FIG. 2 is a front elevational view thereof.

FIG. 3 is a rear elevational view thereof.

FIG. 4 is left side elevational view thereof.

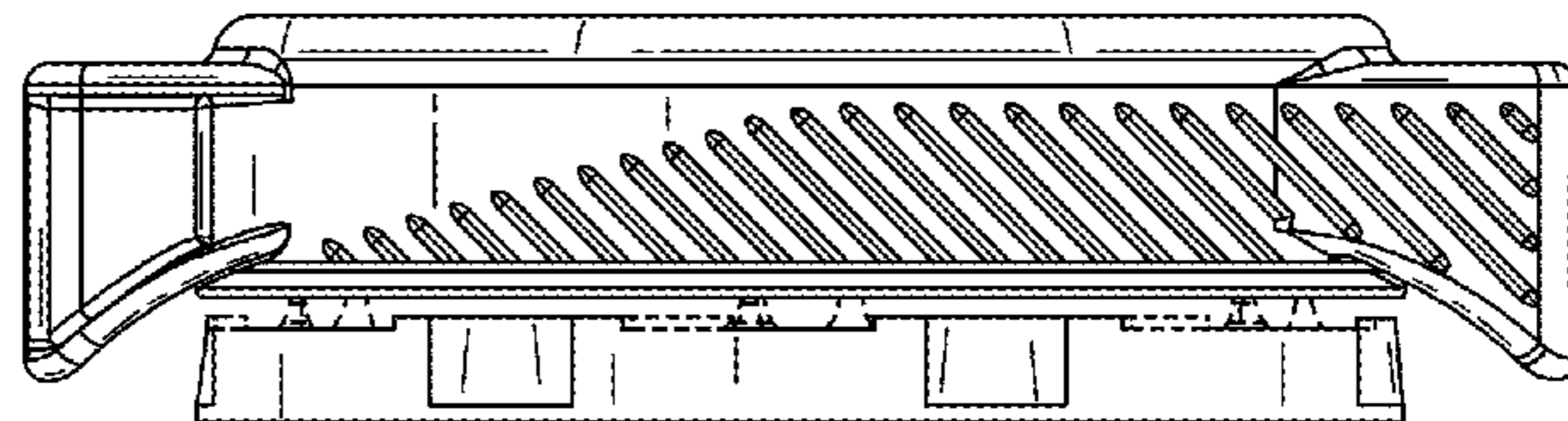
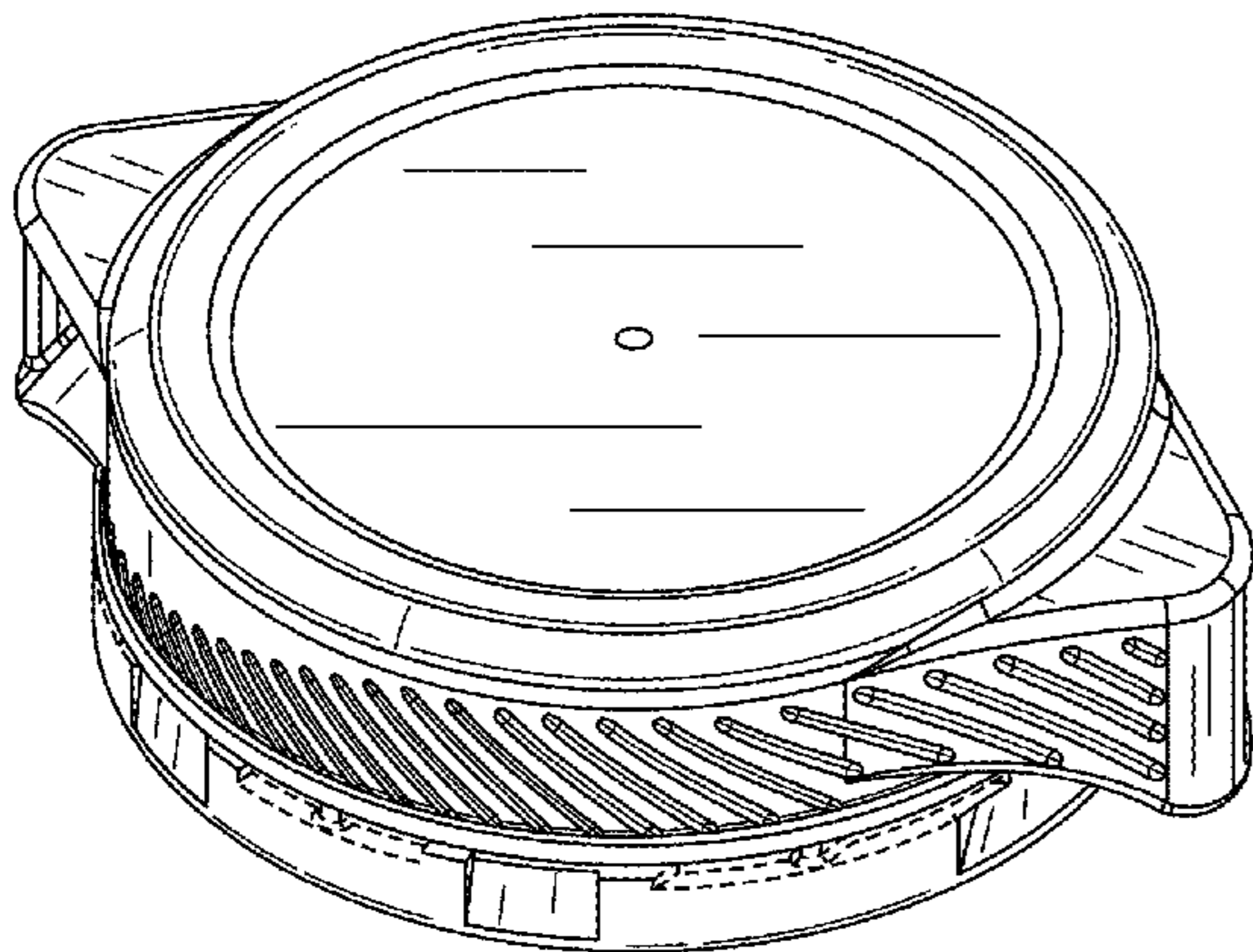
FIG. 5 is a right side elevational view thereof.

FIG. 6 is a top plan view thereof; and,

FIG. 7 is a bottom plan view thereof.

The broken lines are shown for purposes of illustrating parts of the article that form no part of the claimed design.

1 Claim, 5 Drawing Sheets



(56)

References Cited

U.S. PATENT DOCUMENTS

D621,705 S *	8/2010	Breckan	D9/443
D621,706 S *	8/2010	Breckan	D9/443
D621,707 S *	8/2010	Breckan	D9/443
D668,544 S *	10/2012	Stephan	D24/196
D694,109 S *	11/2013	Tanner	D9/447
D732,957 S *	6/2015	Fox	D9/447
2005/0040131 A1 *	2/2005	Lin	B01L 3/50825 215/235
2015/0336716 A1 *	11/2015	Gehring	B29C 45/1676 215/316

* cited by examiner

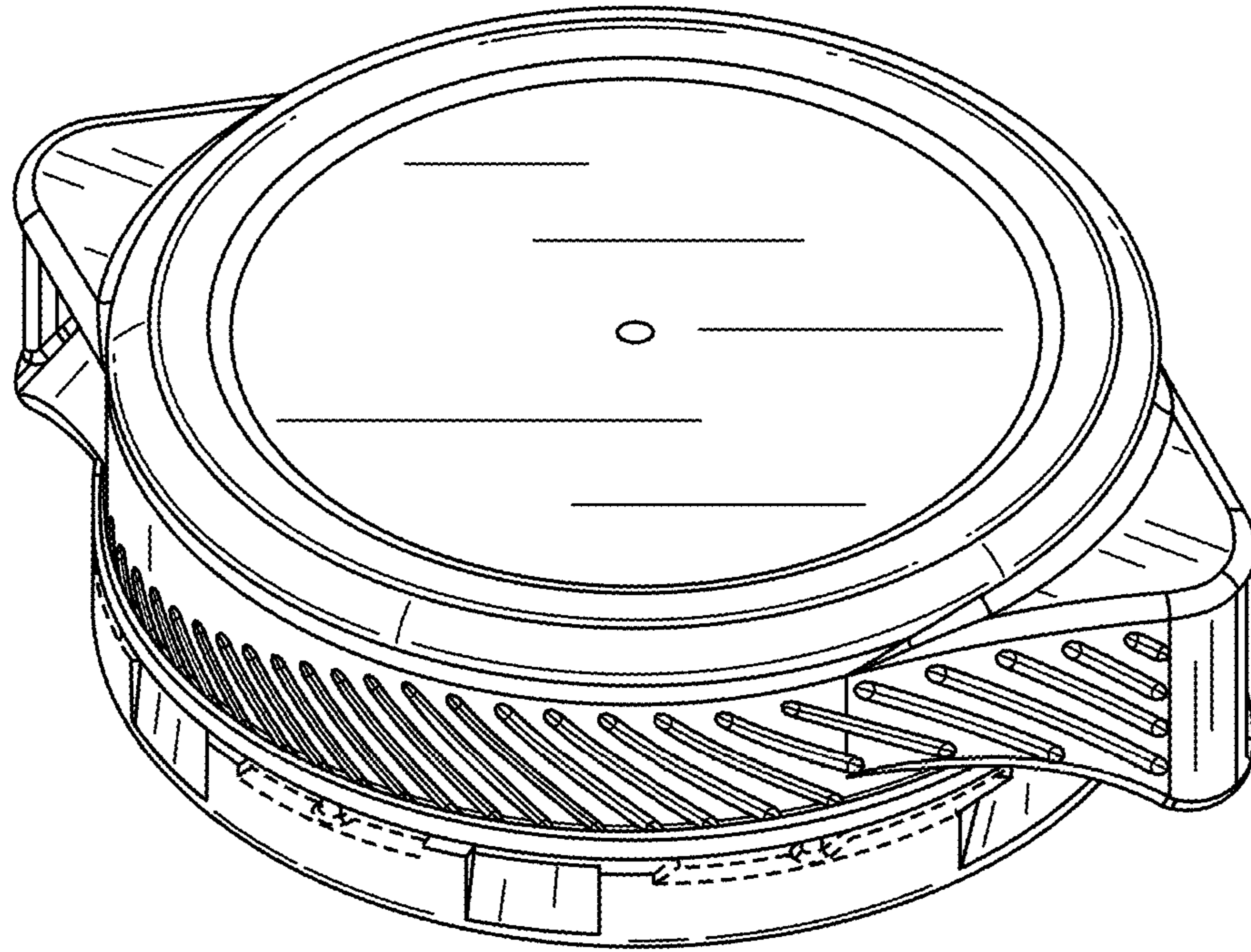


FIG. 1

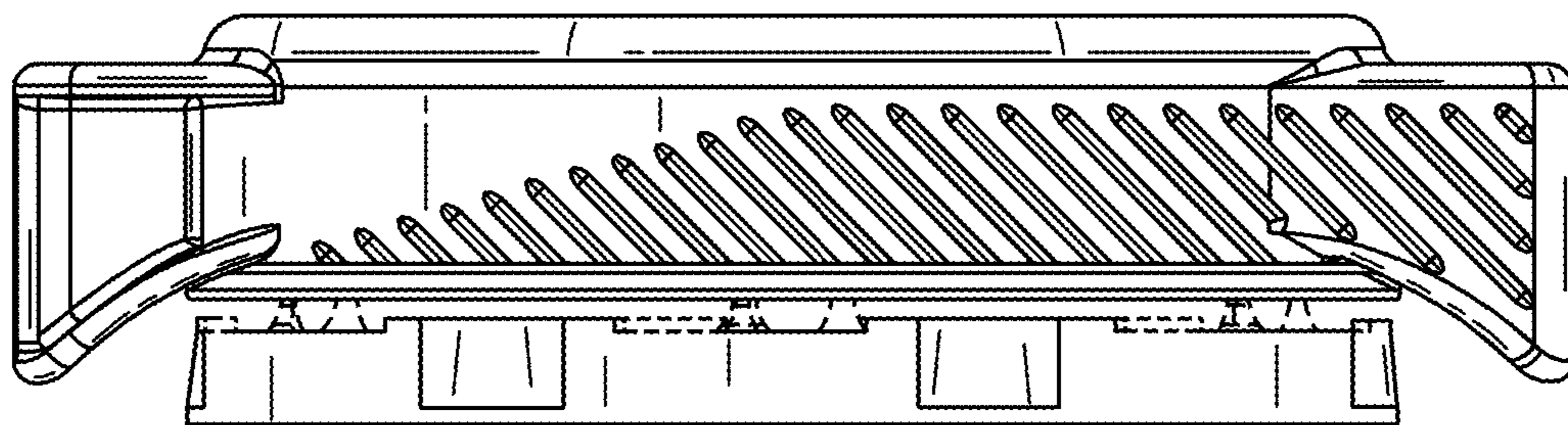


FIG. 2

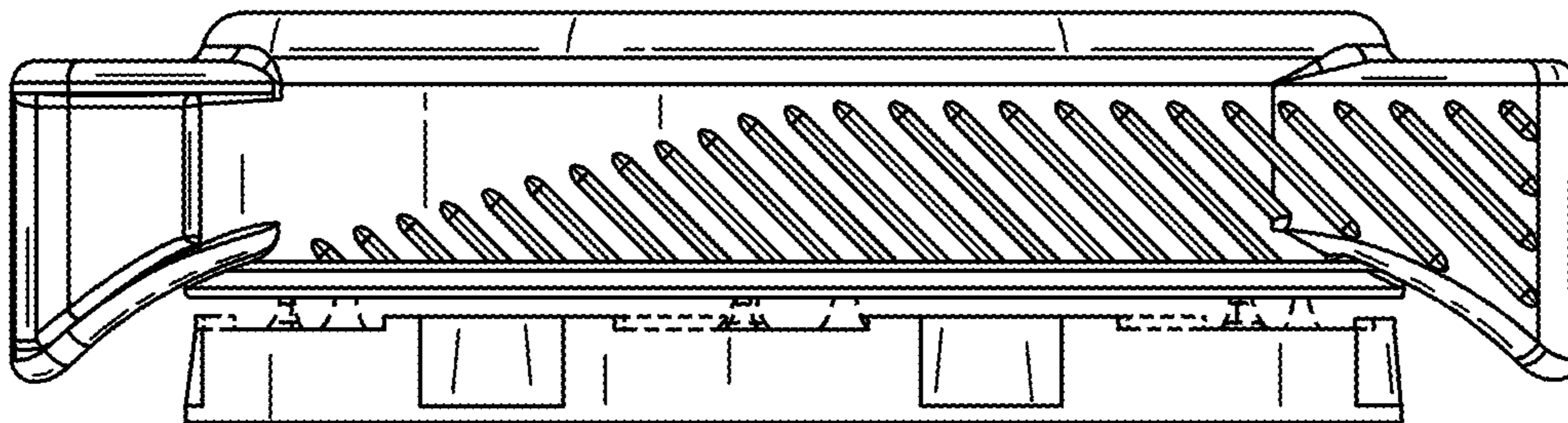


FIG. 3

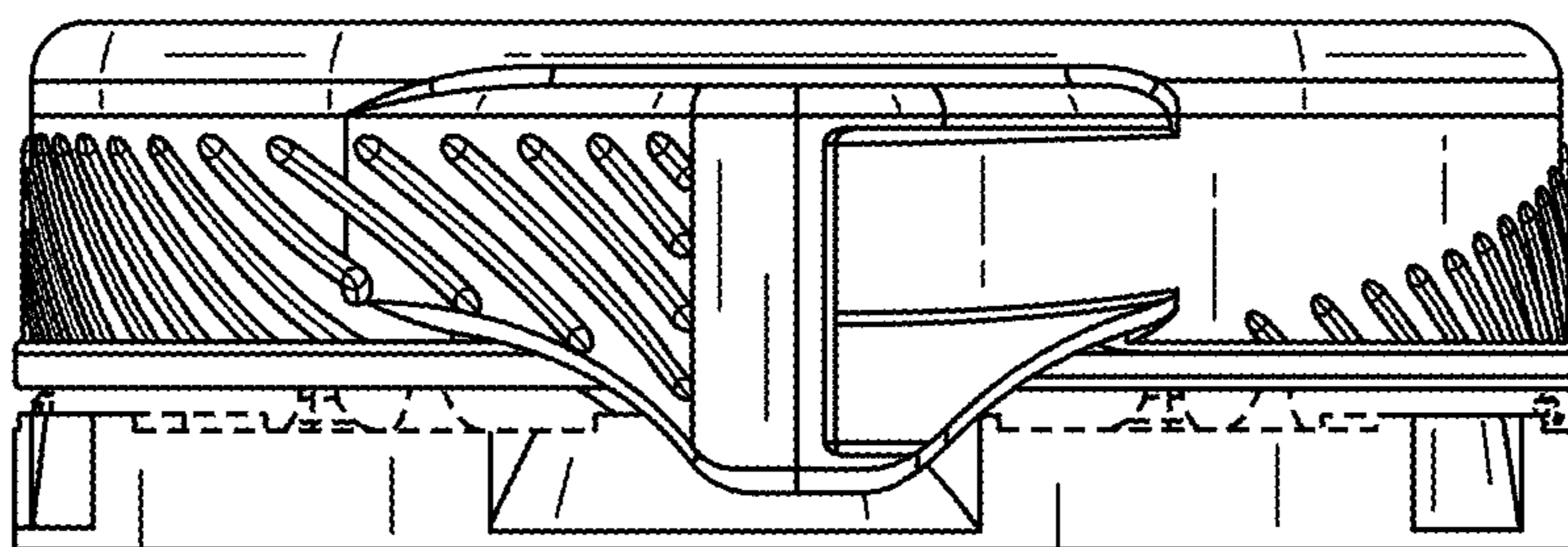


FIG. 4

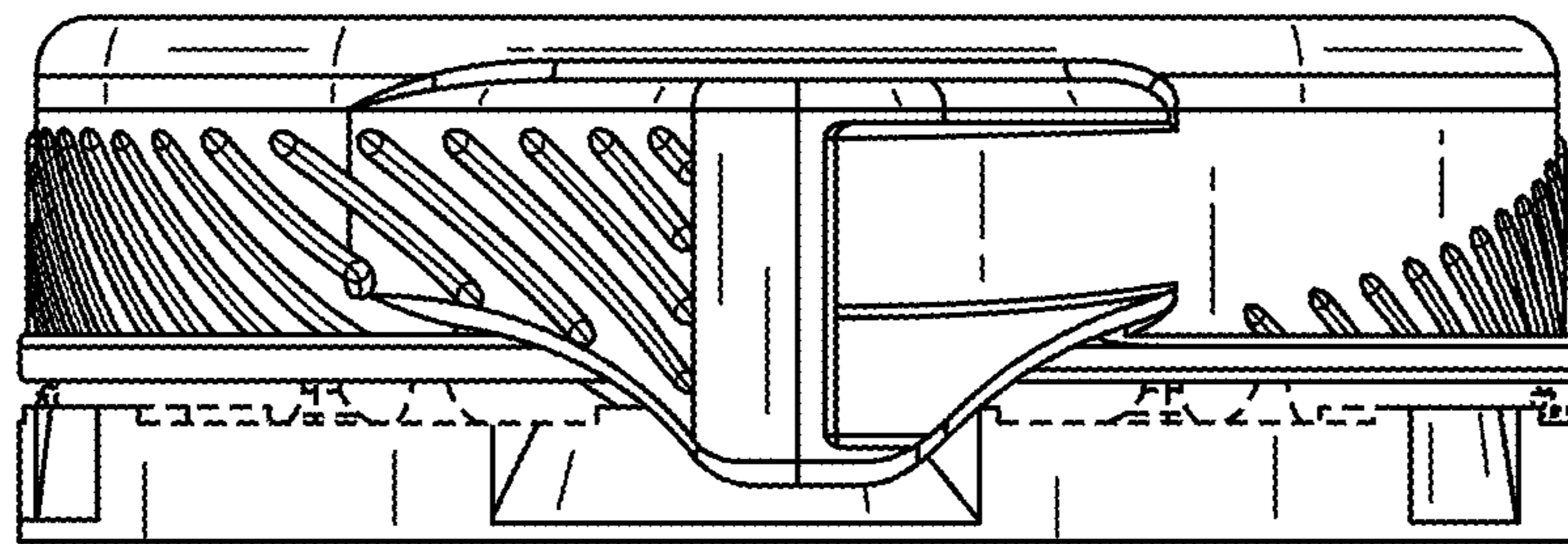


FIG. 5

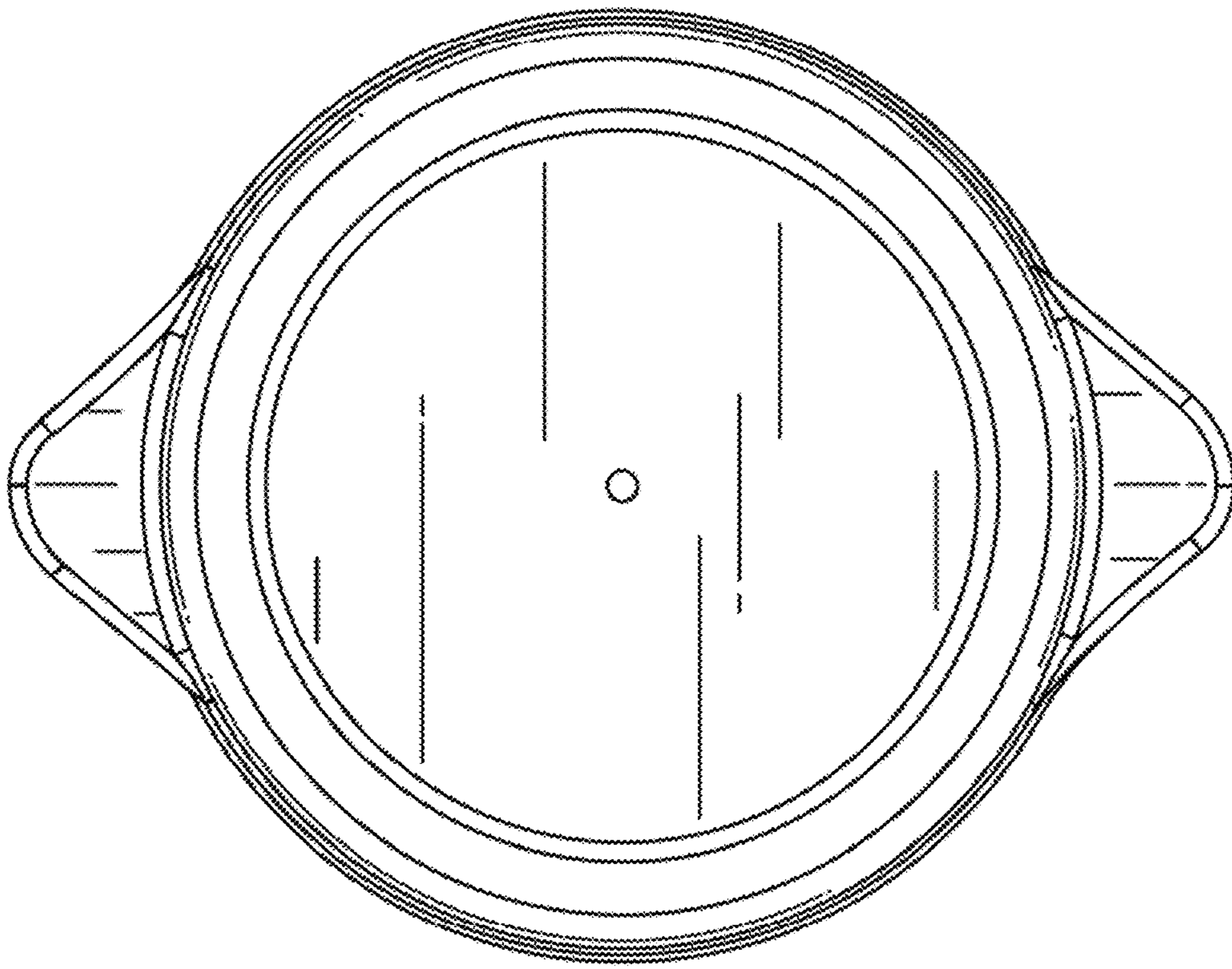


FIG. 6

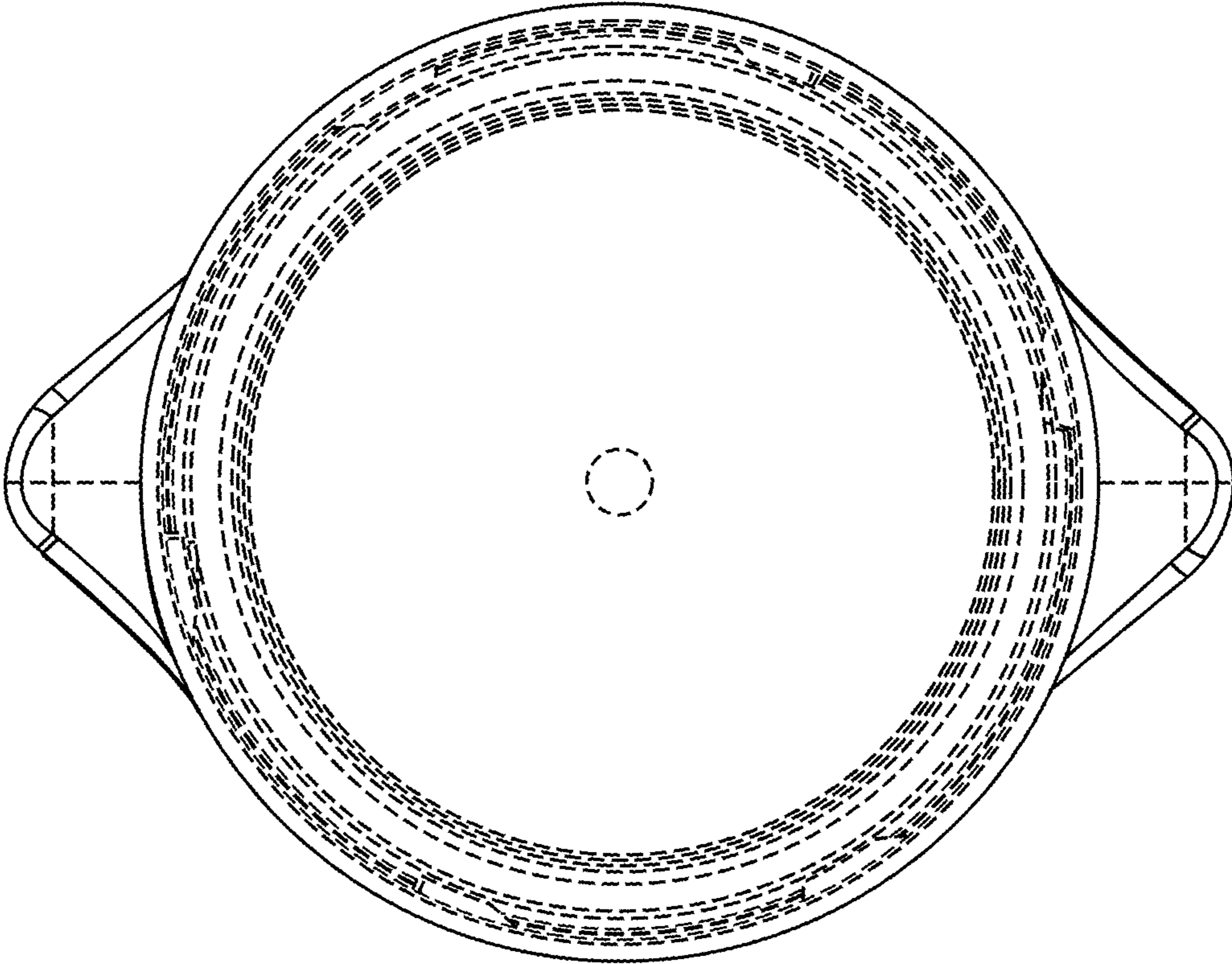


FIG. 7