



US00D783401S

(12) **United States Design Patent**
Way

(10) **Patent No.:** **US D783,401 S**
(45) **Date of Patent:** **** Apr. 11, 2017**

(54) **BOTTLE LID**

(71) Applicant: **Northstar Gear Company LLC**, Erie,
CO (US)

(72) Inventor: **Christopher Randall Way**, Erie, CO
(US)

(73) Assignee: **Northstar Gear Company LLC**, Erie,
CO (US)

(**) Term: **15 Years**

(21) Appl. No.: **29/538,044**

(22) Filed: **Aug. 31, 2015**

(51) **LOC (10) Cl.** **09-07**

(52) **U.S. Cl.**
USPC **D9/449; D7/392.1**

(58) **Field of Classification Search**
USPC D9/429, 434, 435, 443-450, 452, 454,
D9/499, 553, 554, 559, 561; D7/387,
D7/392, 393, 396.2, 396.4, 509, 510, 511,
D7/514; D3/202, 203.2, 223, 264, 294,
D3/304, 318
CPC .. A61J 1/00; A61J 1/1412; B65D 1/00; B65D
1/02; B65D 1/10; B65D 1/46; B65D
2585/56; B65D 2585/545; B65D 41/00;
B65D 41/56; B65D 41/62; B65D 47/06;
B65D 47/08; B65D 2543/00046
See application file for complete search history.

(56) **References Cited**

U.S. PATENT DOCUMENTS

4,098,421 A * 7/1978 Foster B65D 41/18
215/321
D336,240 S * 6/1993 Castaldo D9/414
D353,766 S * 12/1994 Thorso D9/428

D375,198 S * 11/1996 Tashiro D3/273
D418,757 S * 1/2000 Reidenbach D9/453
D471,800 S * 3/2003 Gehring D9/414
(Continued)

OTHER PUBLICATIONS

Northstar Gear Company "PACE lid" (online), retrieved from
Internet May 25, 2016, URL: <https://pacelid.com/> (4 pages).*

Primary Examiner — Karen S Acker
Assistant Examiner — Wendy Arminio
(74) *Attorney, Agent, or Firm* — Baker Botts, LLP

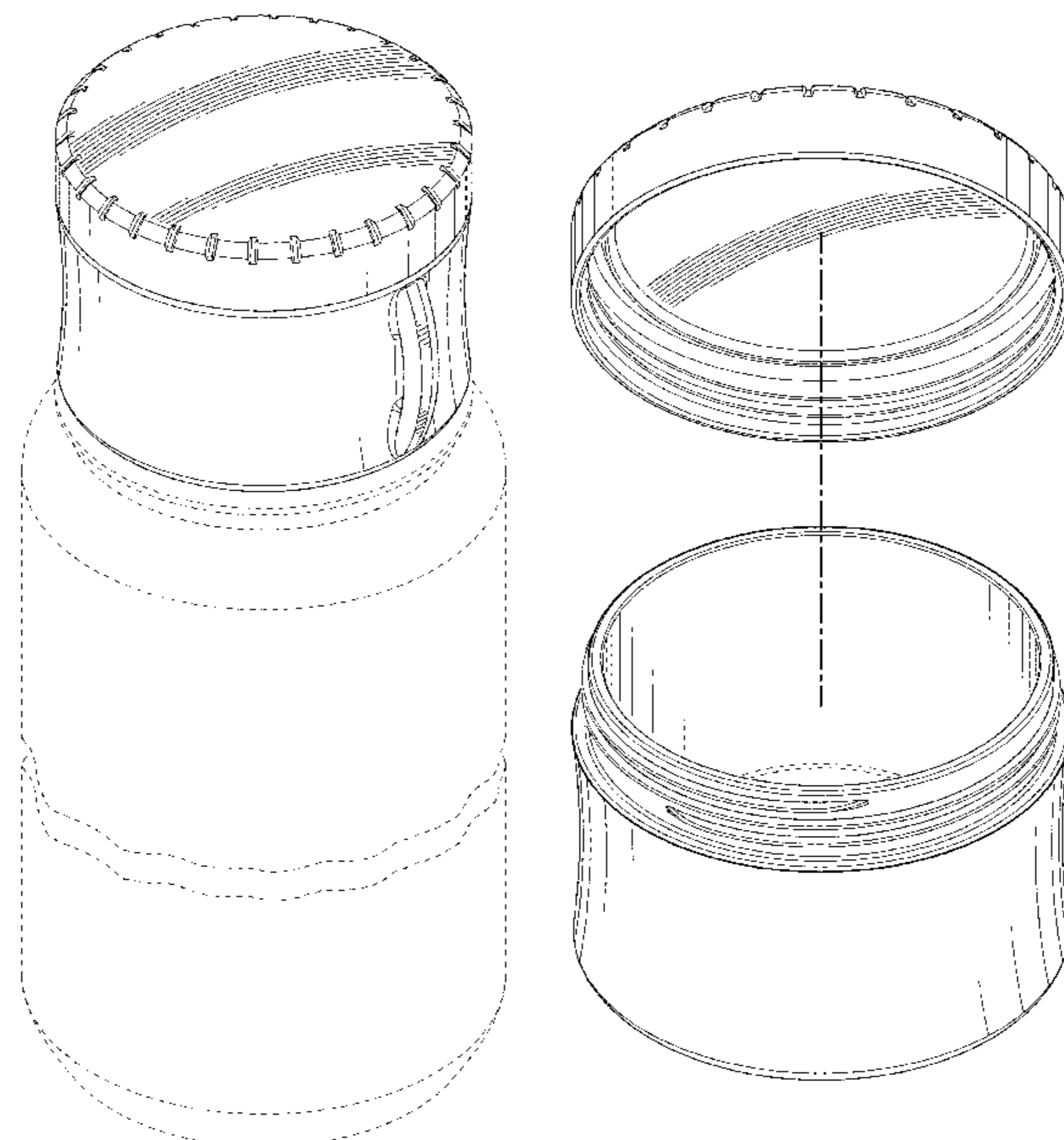
(57) **CLAIM**

The ornamental design for a bottle lid, as shown and
described.

DESCRIPTION

FIG. 1 is a perspective view of a bottle lid embodying the
claimed design, shown in a position of use attached to a
bottle drawn in broken lines.
FIG. 2 is a bottom perspective view of the bottle lid.
FIG. 3 is a top plan view of the bottle lid.
FIG. 4 is a front elevation view of the bottle lid.
FIG. 5 is a left-side elevation view of the bottle lid, with the
right-side elevation view being a mirror image thereof.
FIG. 6 is a rear elevation view of the bottle lid.
FIG. 7 is a bottom plan view of the bottle lid; and,
FIG. 8 is an exploded perspective view showing the bottle
lid disassembled to reveal the compartment for containing
items therein.
The dash-dash broken lines in FIG. 1 depict environmental
structure and form no part of the claimed design. The
dash-dot-dash broken line in FIG. 8 leading from the top of
the bottle lid to the bottom of the bottle lid indicates the
direction of assembly of the design and forms no part of the
claimed design.

1 Claim, 5 Drawing Sheets



(56)

References Cited

U.S. PATENT DOCUMENTS

D494,474	S	*	8/2004	Houk	D27/190
D505,294	S		5/2005	Gauss		
D508,185	S		8/2005	Gauss		
D508,188	S	*	8/2005	Zettle	D7/615
D510,524	S	*	10/2005	Houk	D9/503
D515,439	S	*	2/2006	Pace	D9/741
D517,322	S	*	3/2006	Zettle	D3/323
D562,144	S	*	2/2008	Lane	D9/556
D571,147	S		6/2008	Rohe		
D583,230	S		12/2008	Maze		
D592,905	S		5/2009	Pinelli		
D599,953	S	*	9/2009	Gibson	D27/190
D605,529	S	*	12/2009	Holtrop	D9/454
D628,483	S		12/2010	McKinney		
D633,386	S	*	3/2011	Taber	D9/453
D640,935	S	*	7/2011	Davies	D9/453
D659,007	S		5/2012	Pape		
8,286,821	B2		10/2012	Mejia		
D677,119	S		3/2013	Ying		
D689,140	S		9/2013	Lo		
D695,138	S	*	12/2013	Ball	D9/435
D696,551	S		12/2013	Meyers		
D711,239	S	*	8/2014	Julier	D9/549
2003/0000910	A1	*	1/2003	Jang	B65D 51/18 215/227
2009/0101654	A1	*	4/2009	Brashear	B65D 43/0231 220/522

* cited by examiner

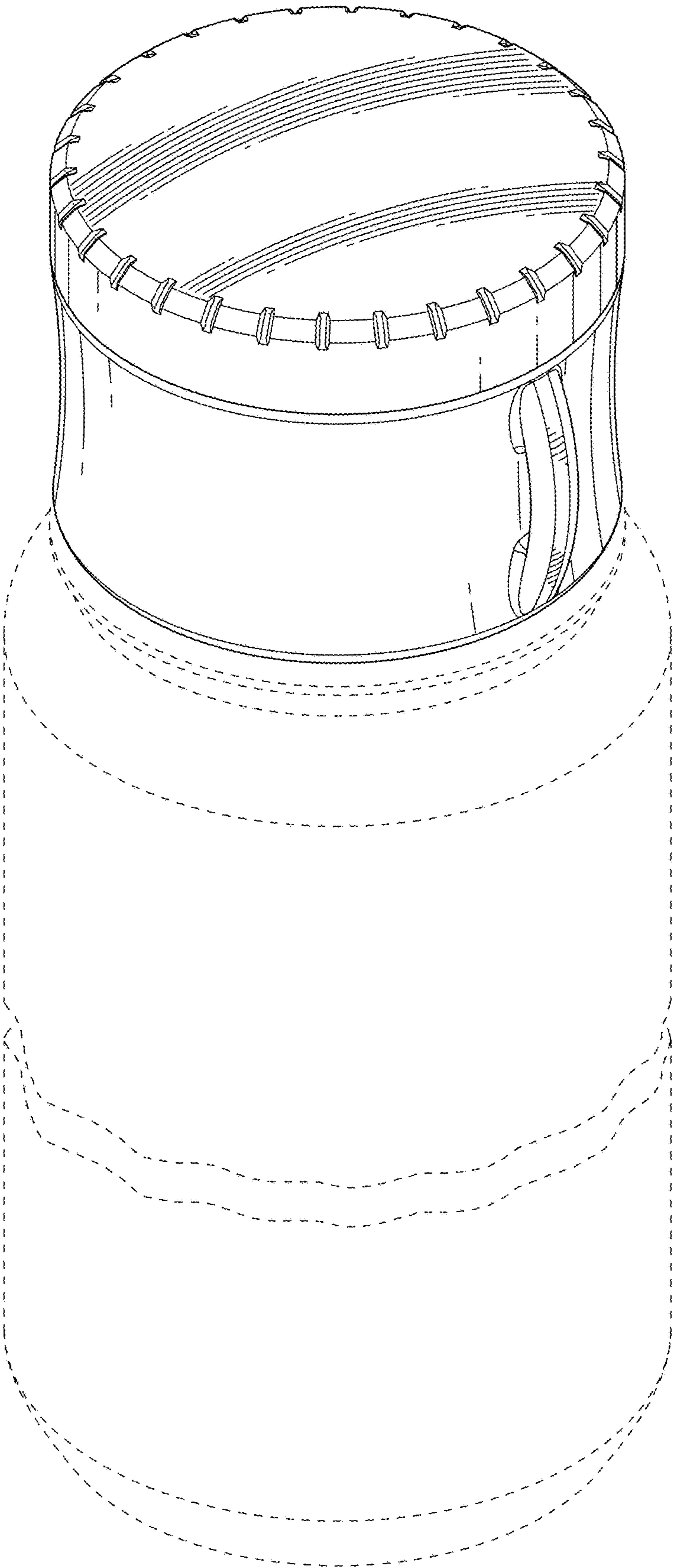


FIG. 1

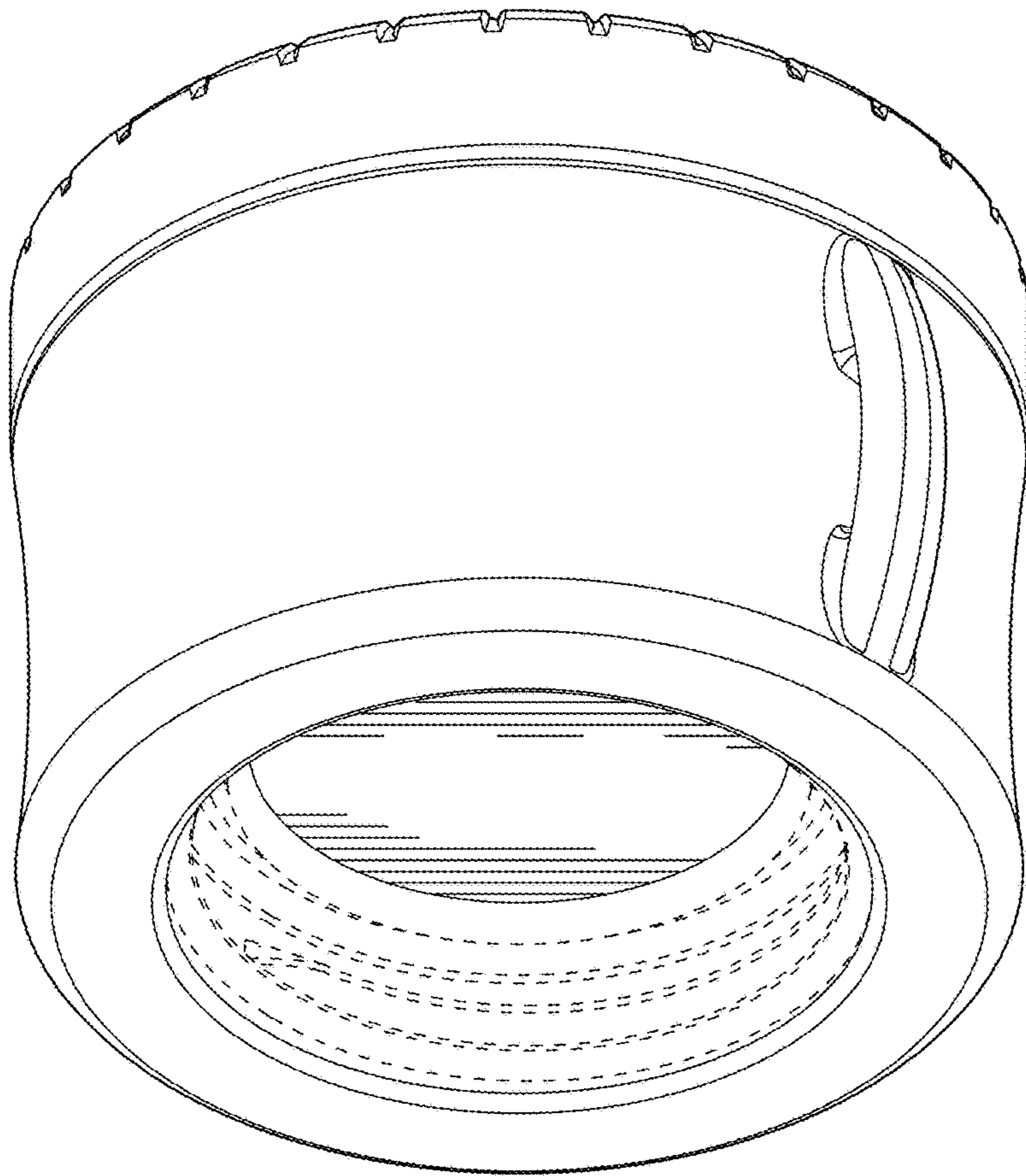


FIG. 2

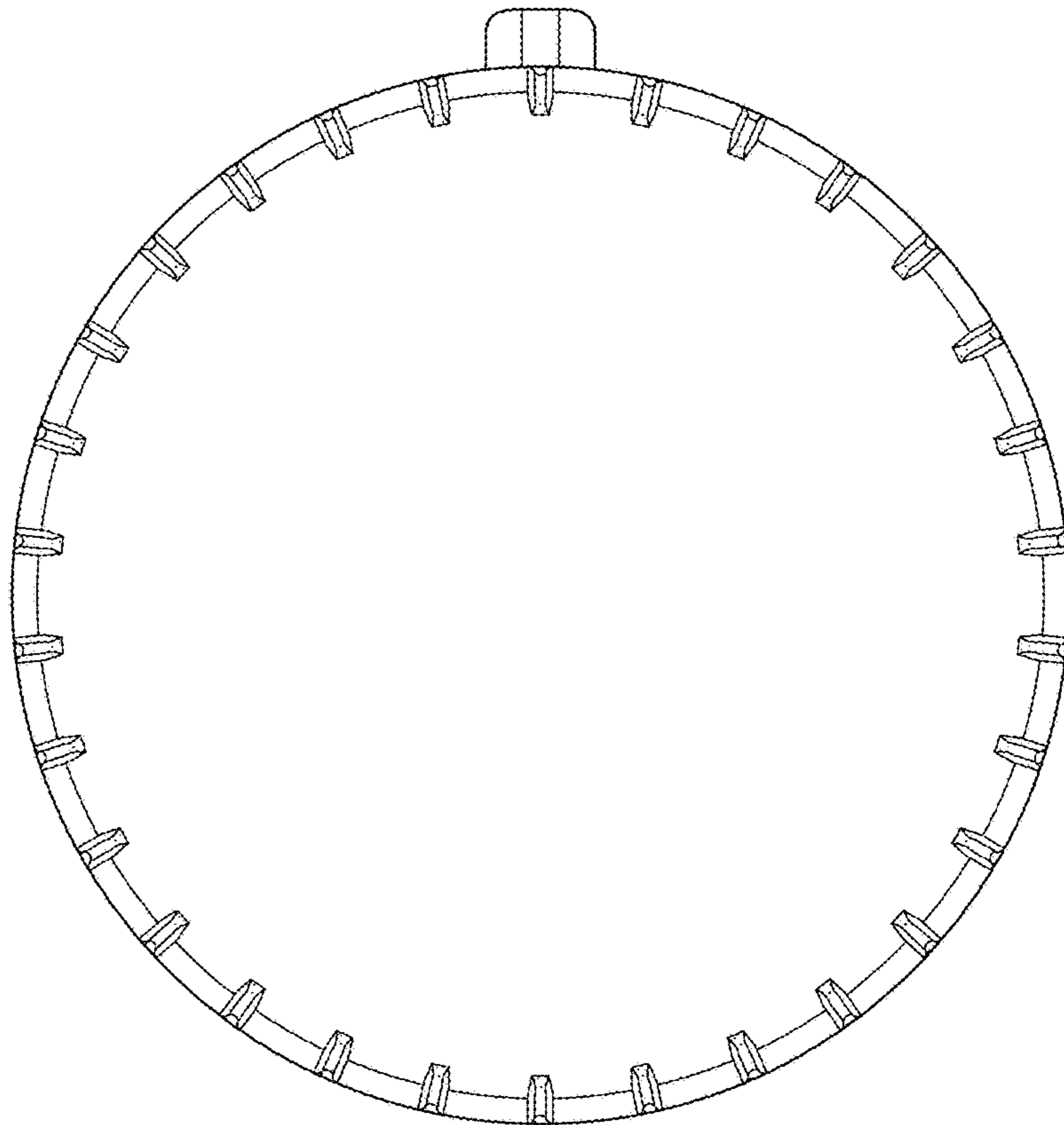


FIG. 3

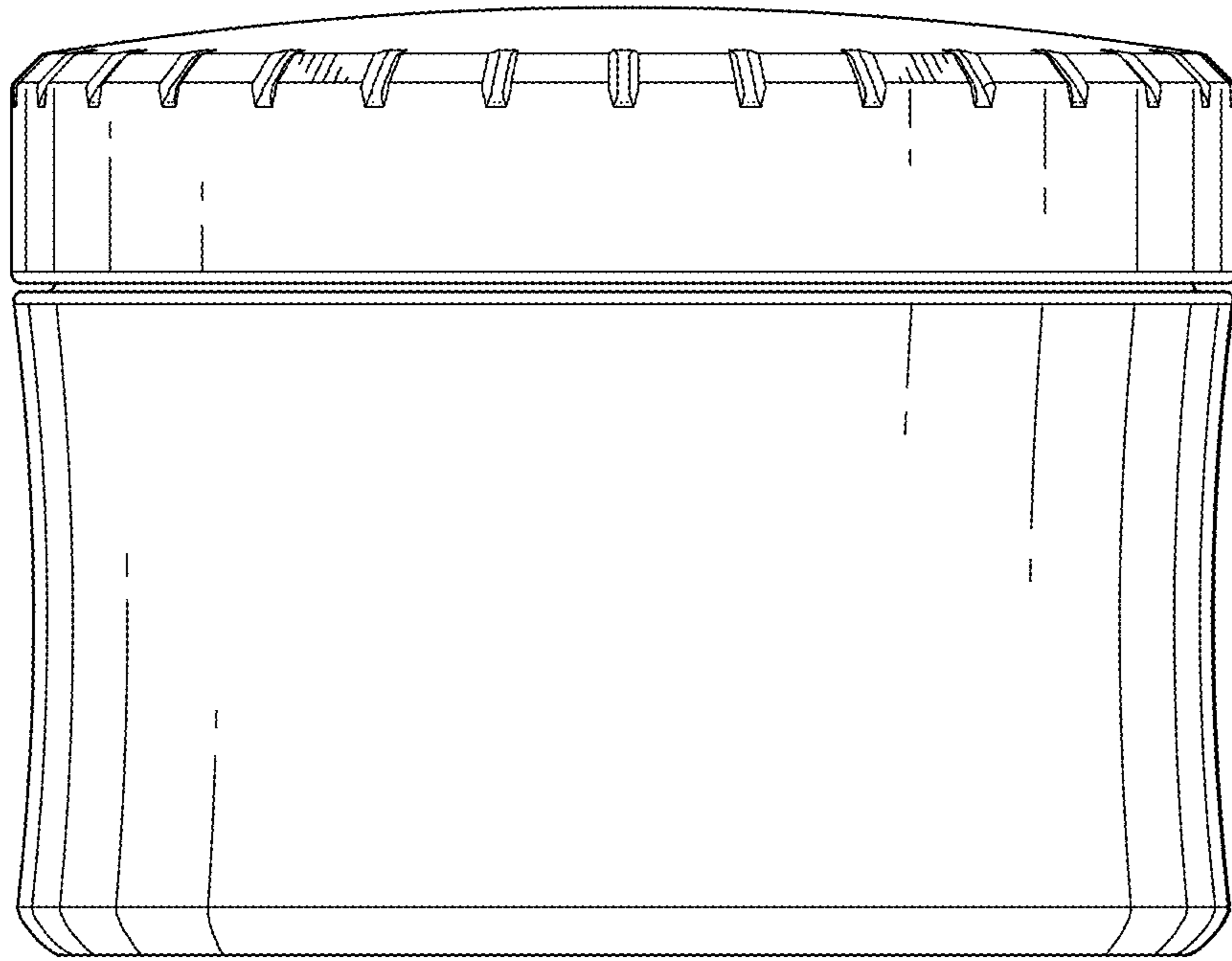


FIG. 4

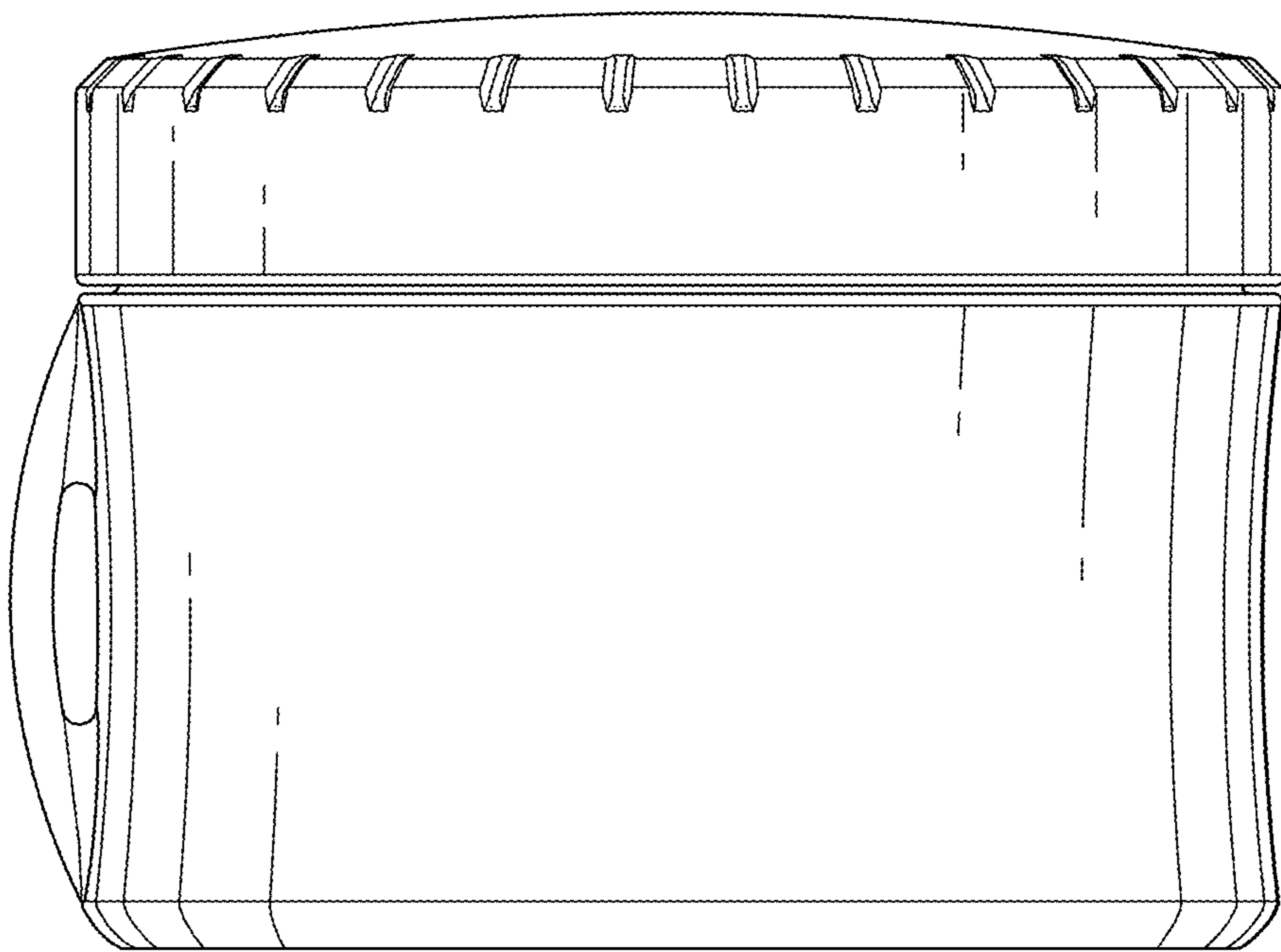


FIG. 5

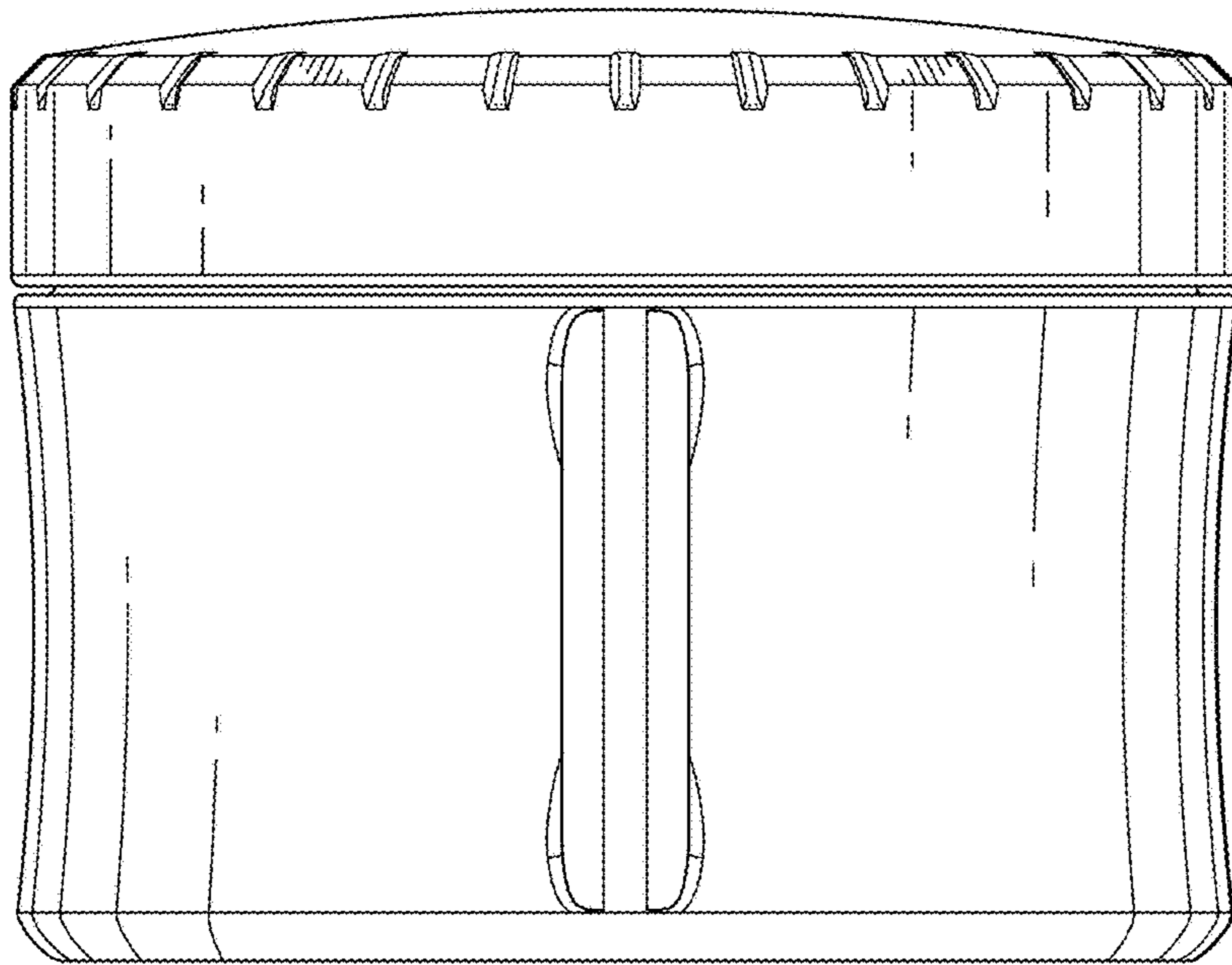


FIG. 6

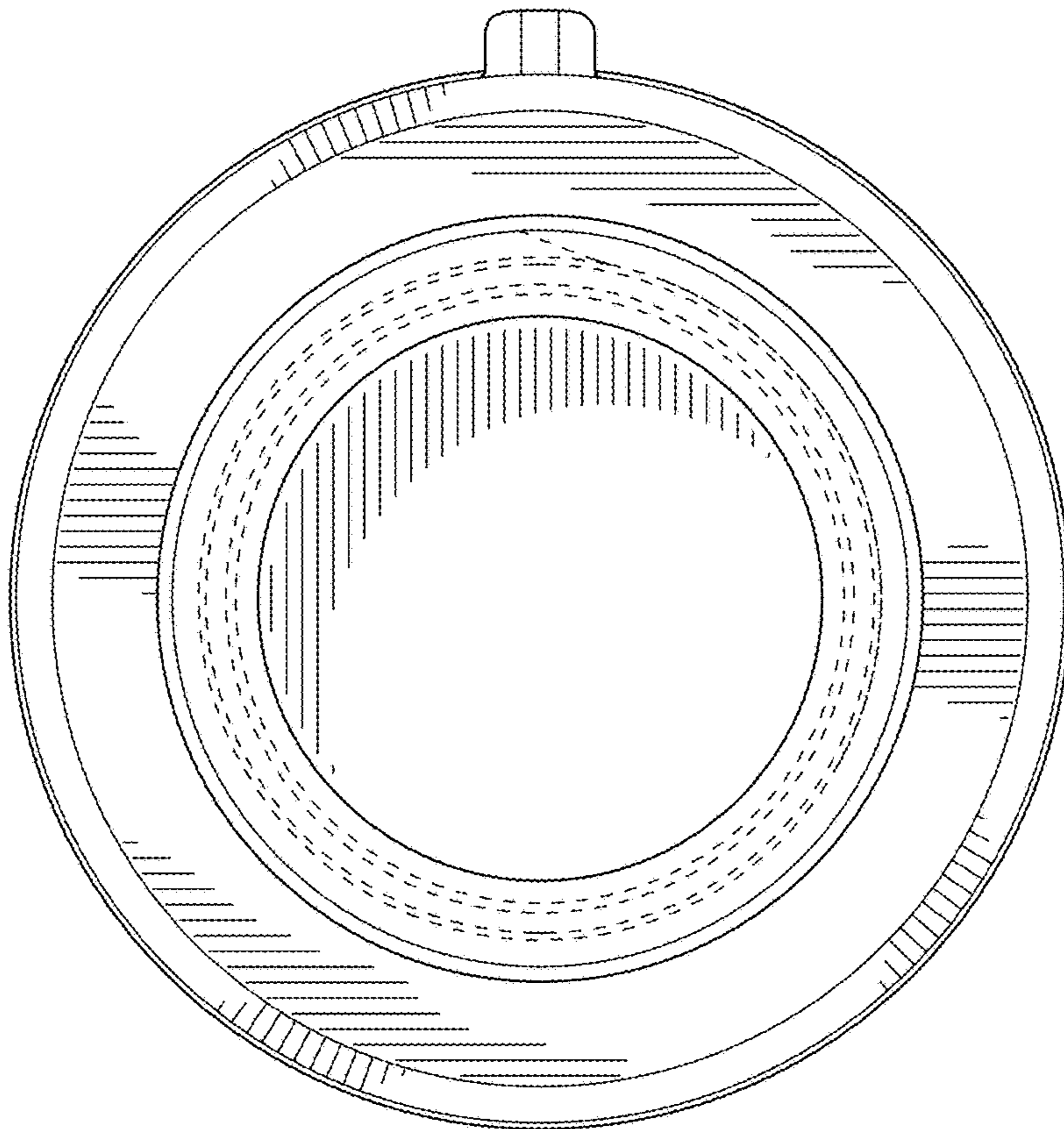


FIG. 7

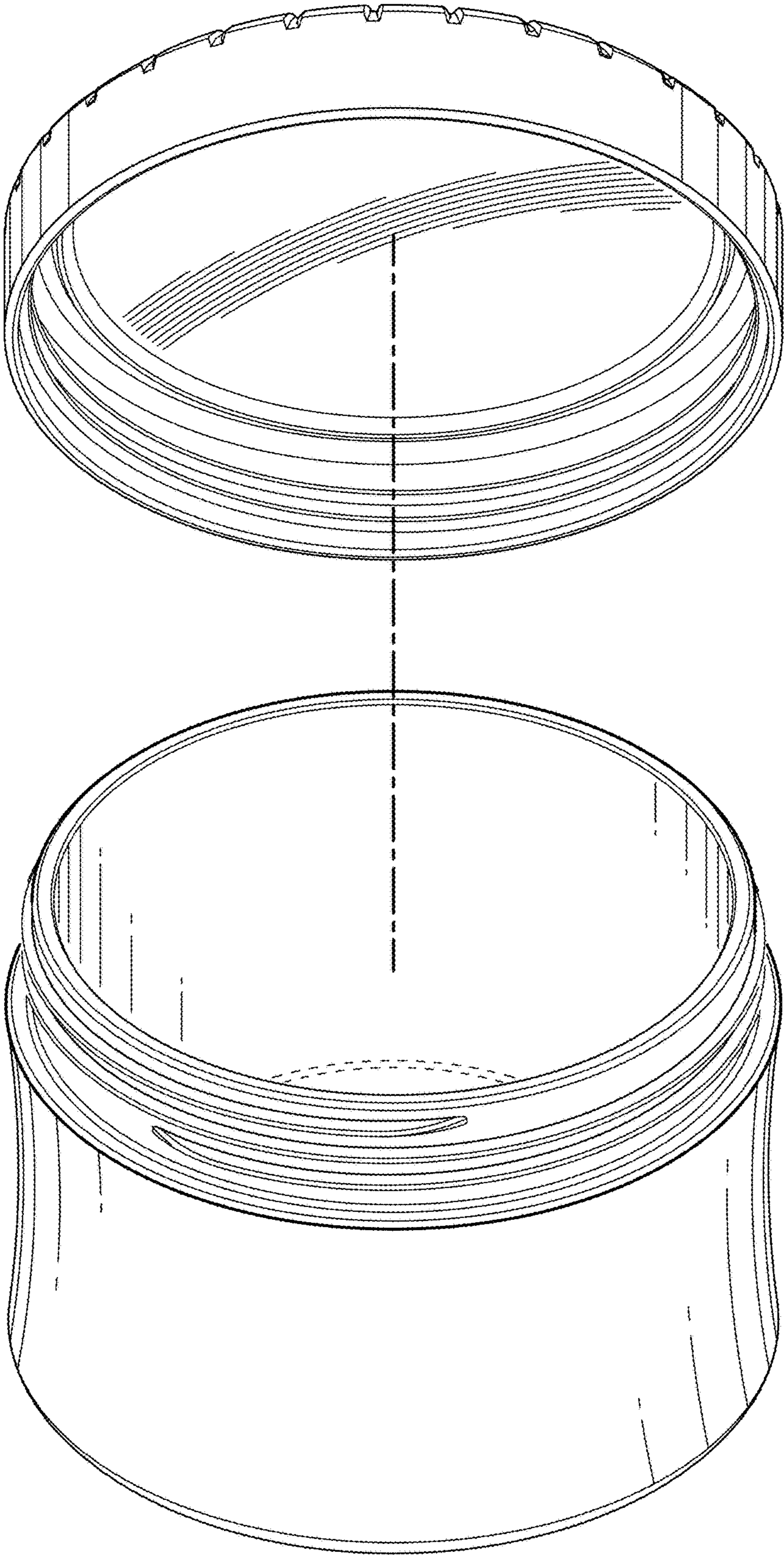


FIG. 8