



US00D783400S

(12) **United States Design Patent**
Bois

(10) **Patent No.:** **US D783,400 S**
(45) **Date of Patent:** **** Apr. 11, 2017**

(54) **CLOSURE FOR CONTAINER**

FOREIGN PATENT DOCUMENTS

(71) Applicant: **Clariant Production (France) SAS,**
Trosly Breuil (FR)

WO WO D067982-001 4/2006
WO WO D069747-001 2/2008
WO WO D070355-002 7/2008

(72) Inventor: **Dominique Bois,** Choisy le Roi (FR)

(73) Assignee: **Clariant Production (France) SAS,**
Trusly Brueil (FR)

OTHER PUBLICATIONS

U.S. Appl. No. 29/471,208, filed Oct. 29, 2013, Logel et al.

(**) Term: **14 Years**

(Continued)

(21) Appl. No.: **29/503,018**

Primary Examiner — Karen S Acker

(22) Filed: **Sep. 22, 2014**

Assistant Examiner — Wendy Arminio

(30) **Foreign Application Priority Data**

(74) *Attorney, Agent, or Firm* — Knobbe, Martens, Olson
& Bear LLP

Mar. 21, 2014 (EM) 002429886

(51) **LOC (10) Cl.** **09-07**

(57) **CLAIM**

(52) **U.S. Cl.**

USPC **D9/449**

The ornamental design for a closure for container, as shown
and described.

(58) **Field of Classification Search**

USPC D9/434-436, 438, 443-450, 452-454,
D9/499; D7/387, 392, 393, 396.2, 510,
D7/511; D3/202, 294, 318; 215/28, 41,
215/201, 216, 224, 230, 235, 237, 243,
215/249, 256, 306, 316, 317, 396;
220/252, 254.1, 254.2-254.4, 258.2, 263,
220/367.1, 375, 711, 724, 730, 731, 837,
220/847; 222/109, 153.1, 153.11, 153.14,
222/464.1, 498, 546, 547, 562, 565, 566,
222/570, 621

DESCRIPTION

CPC A61J 1/1412; B65D 1/02; B65D 1/323;
B65D 25/40; B65D 41/56; B65D 41/62;
B65D 47/06; B65D 47/08

FIG. 1 is a front view of the new design;
FIG. 2 is a rear view of the design of FIG. 1;
FIG. 3 is a side view of the design of FIG. 1;
FIG. 4 is a top view of the design of FIG. 1;
FIG. 5 is a perspective rear view of the design of FIG. 1;
FIG. 6 is a perspective front view of the design of FIG. 1;
FIG. 7 is a side, part cross-sectional, view of the design of
FIG. 1; and,
FIG. 8 is a bottom view of the design of FIG. 1.

See application file for complete search history.

The broken lines shown in the drawings depict portions of
the closure for container that form no part of the claimed
design.

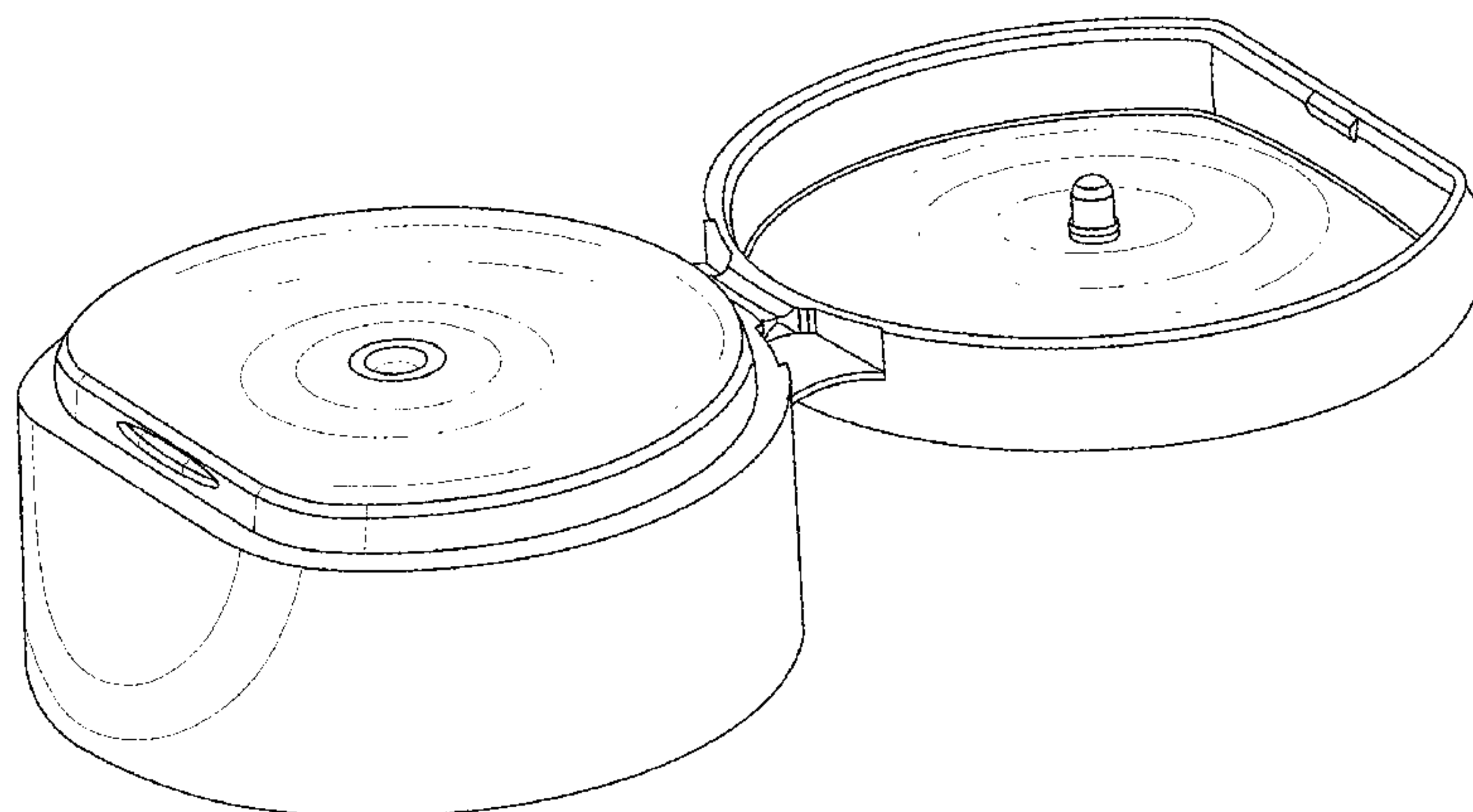
(56) **References Cited**

U.S. PATENT DOCUMENTS

D279,651 S 7/1985 Freeman
4,550,844 A 11/1985 Lininger
4,981,230 A 1/1991 Marshall et al.

(Continued)

1 Claim, 7 Drawing Sheets



(56)

References Cited

U.S. PATENT DOCUMENTS

D401,115 S 11/1998 Huang
 6,056,136 A 5/2000 Taber et al.
 D427,069 S 6/2000 Carter
 6,321,923 B1 * 11/2001 Wood B65D 47/0809
 16/225
 D530,205 S 10/2006 Lohrman
 D536,974 S * 2/2007 Smith D9/435
 D536,975 S * 2/2007 Smith D9/435
 D577,287 S * 9/2008 Haltom, III D9/436
 D599,655 S 9/2009 Friebe et al.
 D604,608 S 11/2009 Lourenco
 D607,726 S * 1/2010 Wisniewski D9/449
 D610,008 S 2/2010 Baughmann
 D640,556 S * 6/2011 Bragg D9/449
 D641,628 S 7/2011 Baughmann
 D644,337 S 8/2011 Belfance et al.
 D644,739 S 9/2011 Belfance et al.
 D644,740 S 9/2011 John et al.
 D654,366 S 2/2012 Presche et al.
 D661,583 S * 6/2012 Santarelli D9/449
 D663,202 S * 7/2012 Biesecker D9/449
 D694,100 S 11/2013 Schneider et al.

D711,231 S * 8/2014 Pun D9/449
 D713,723 S * 9/2014 den Boer D9/449
 D716,142 S * 10/2014 Lujendijk D9/447
 D722,267 S * 2/2015 Miranda De Araujo D9/449
 D729,010 S 5/2015 Logel et al.
 2005/0252878 A1 11/2005 Babcock
 2009/0159552 A1 * 6/2009 Cano-Pey B65D 47/0828
 215/235
 2010/0224646 A1 9/2010 Incorvia et al.
 2010/0282783 A1 11/2010 Baughman et al.

OTHER PUBLICATIONS

U.S. Appl. No. 29/490,099, filed May 6, 2014, Lebon.
 U.S. Appl. No. 29/490,104, filed May 6, 2014, Lebon.
 U.S. Appl. No. 29/490,108, filed May 6, 2014, Lebon.
 U.S. Appl. No. 29/489,583, filed Apr. 30, 2014, Logel et al.
 U.S. Appl. No. 29/503,016, filed Sep. 22, 2014, Bois.
 U.S. Appl. No. 29/506,432, filed Oct. 15, 2014, Logel et al.
 U.S. Appl. No. 29/506,437, filed Oct. 15, 2014, Logel et al.
 U.S. Appl. No. 29/507,653, filed Oct. 29, 2014, Logel et al.
 U.S. Appl. No. 29/512,222, filed Dec. 17, 2014, Bois.
 U.S. Appl. No. 29/528,762, filed Feb. 26, 2015, Lebon.

* cited by examiner

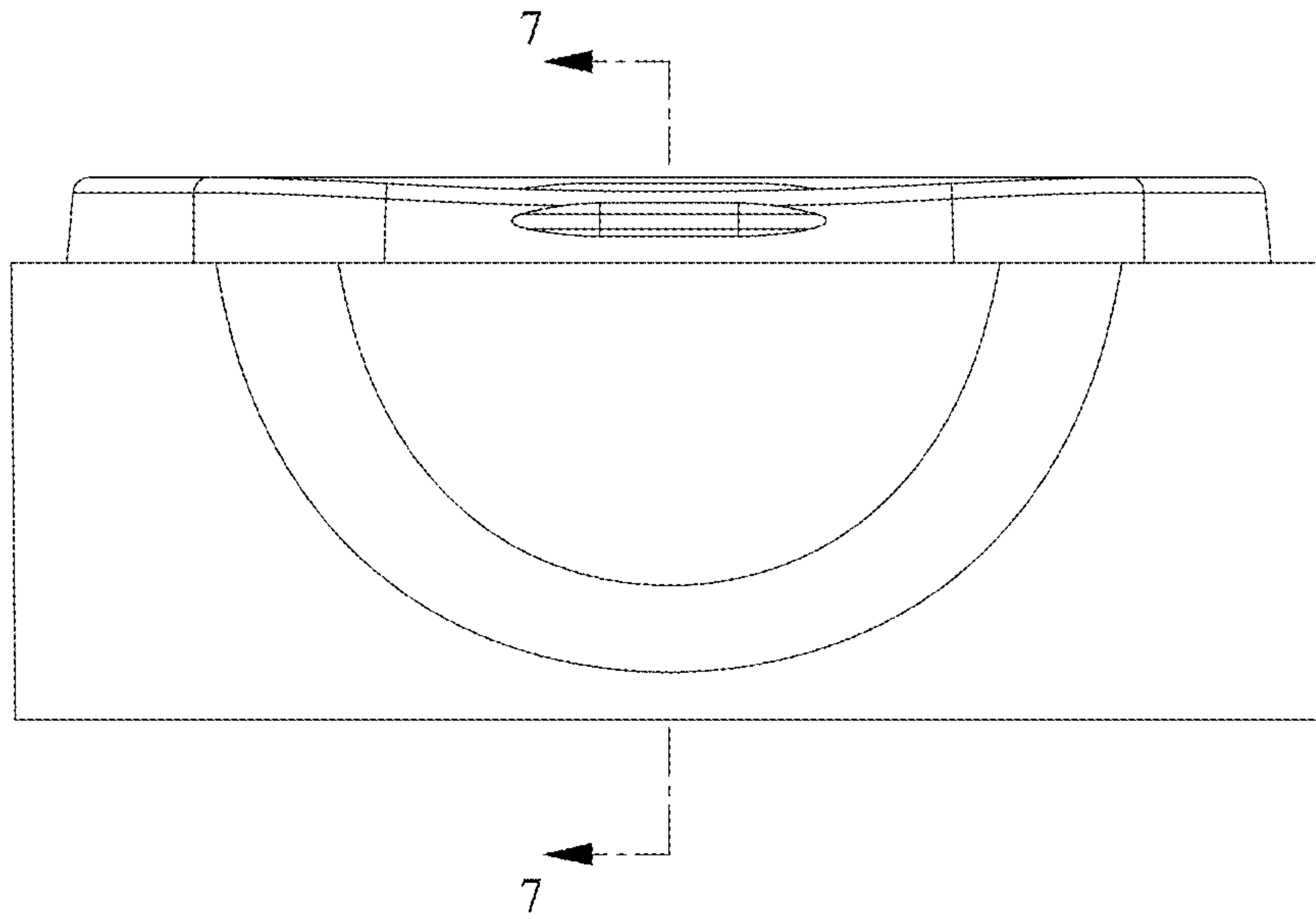


FIG. 1

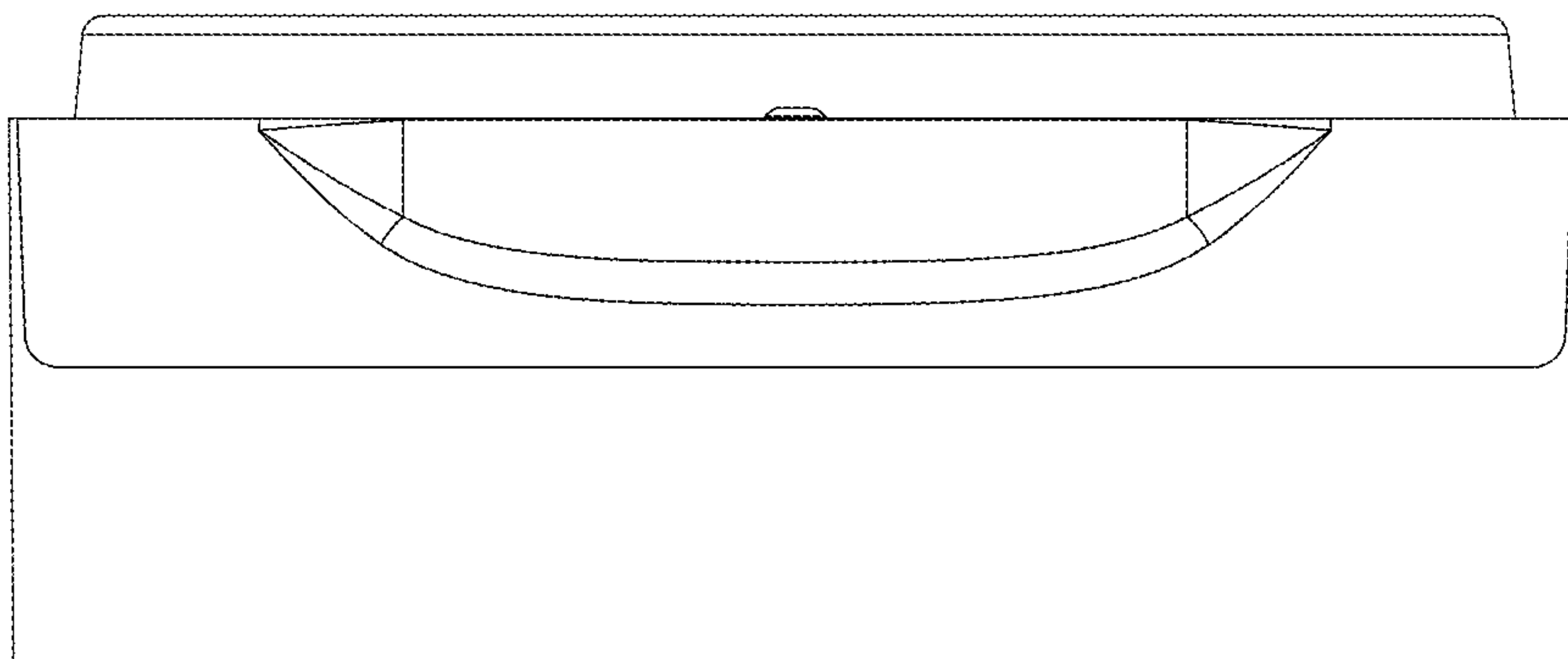


FIG. 2

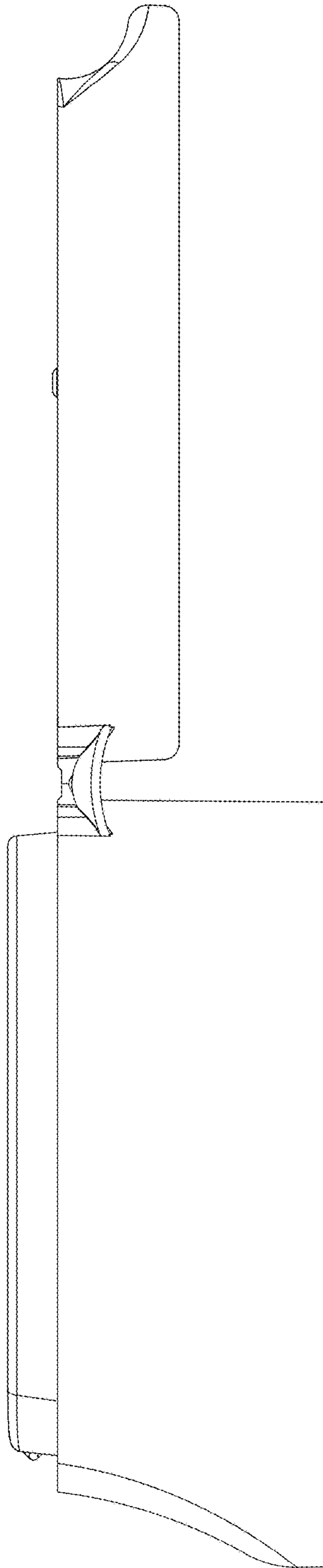


FIG. 3

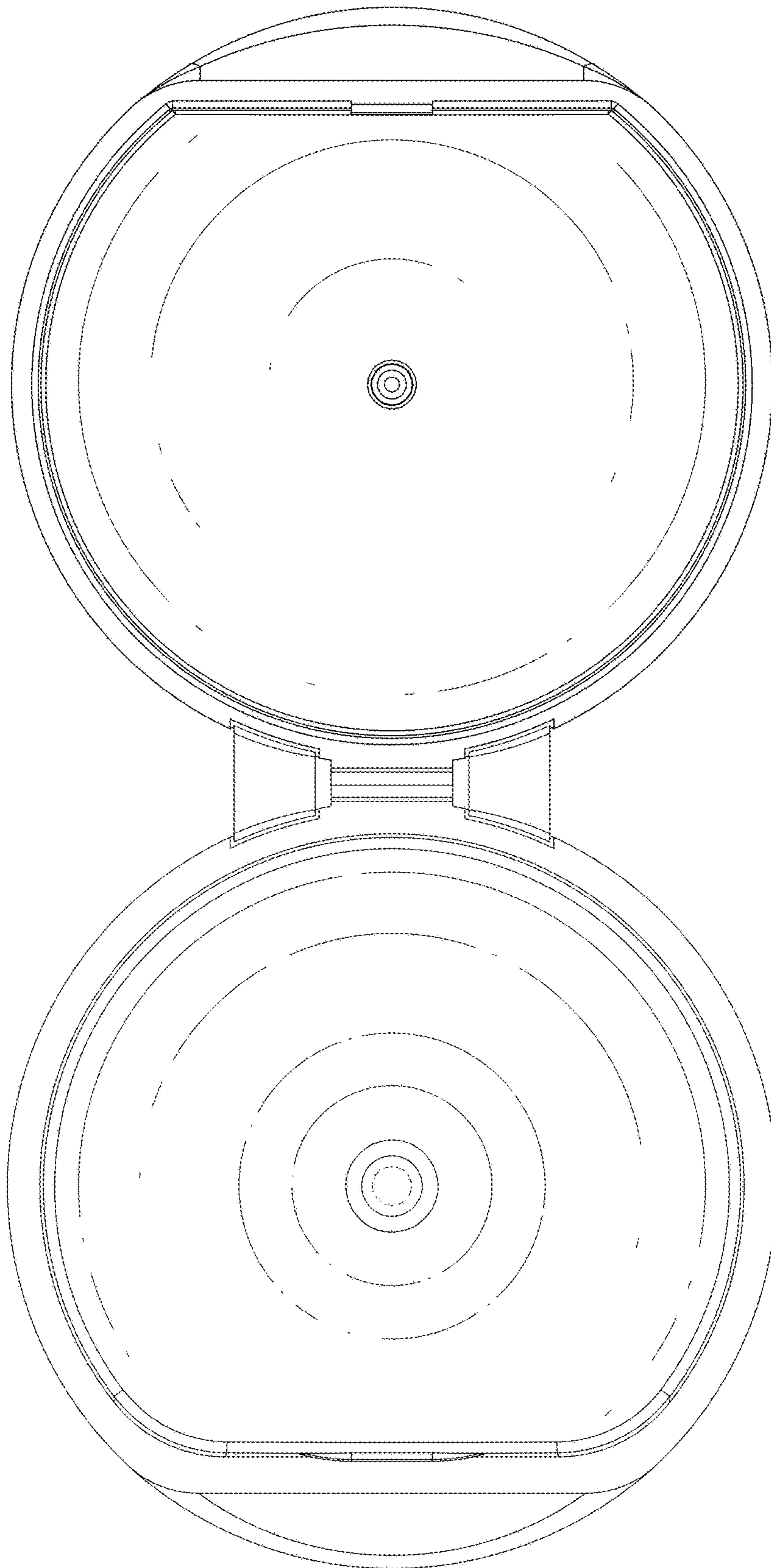


FIG. 4

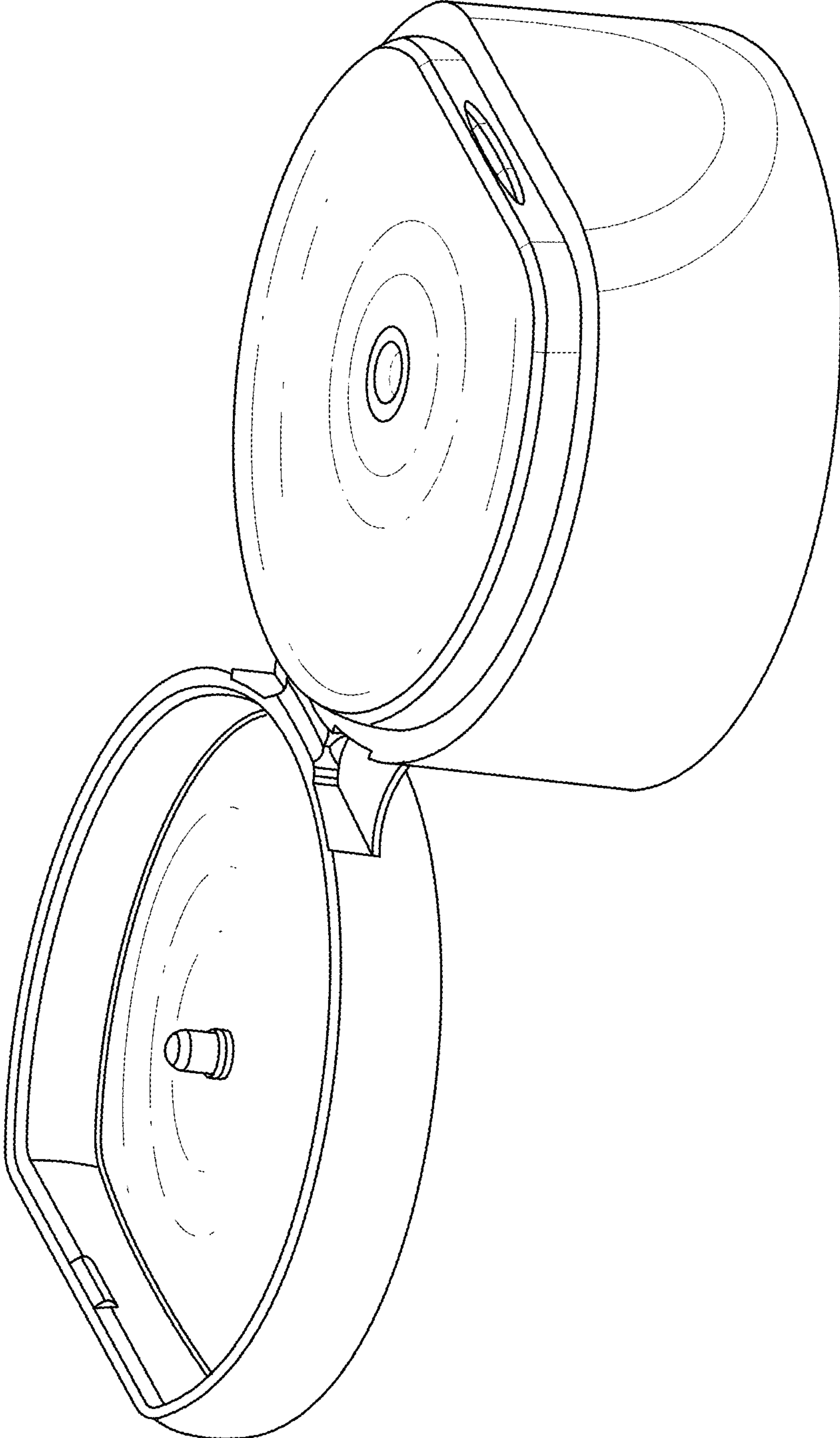


FIG. 5

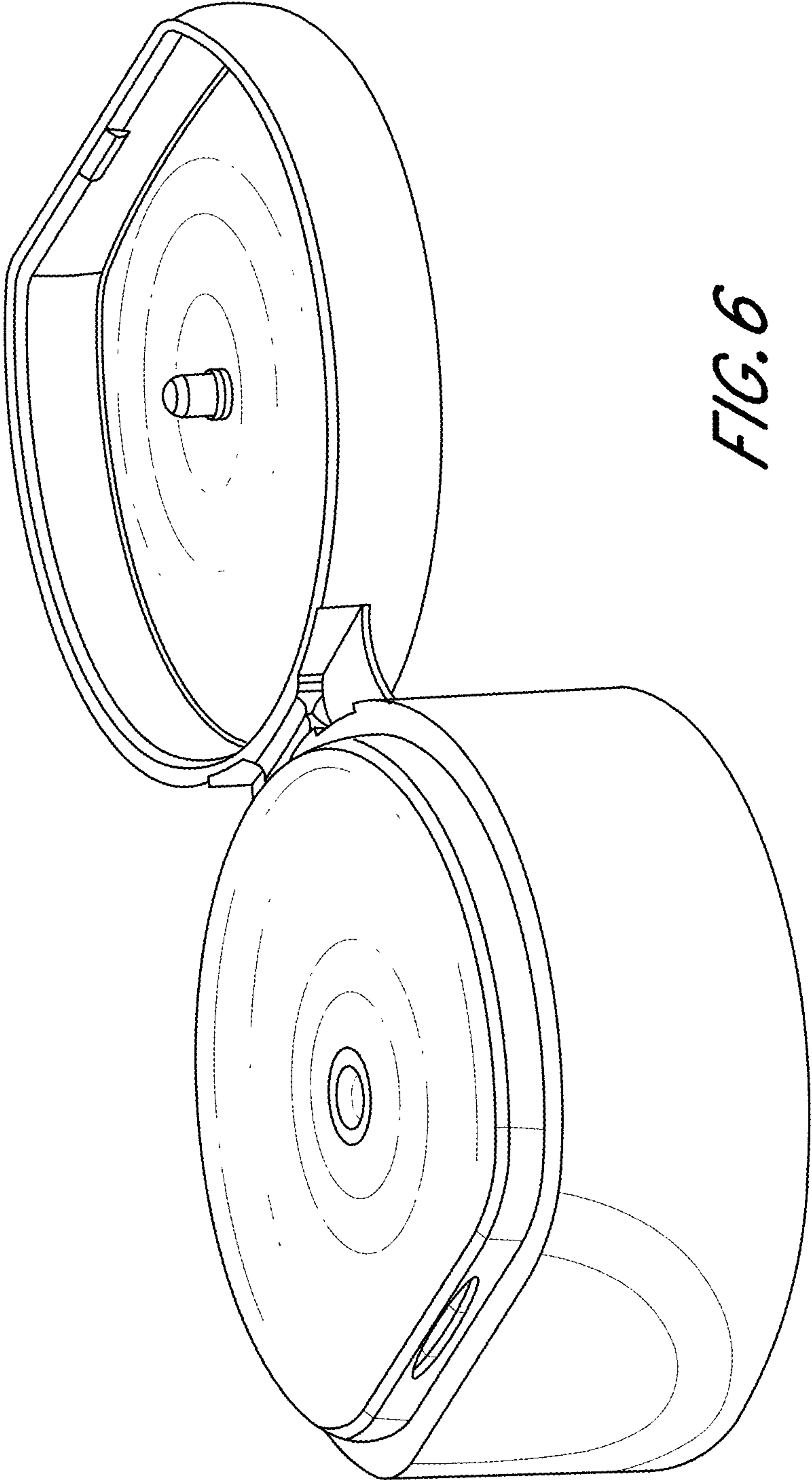


FIG. 6

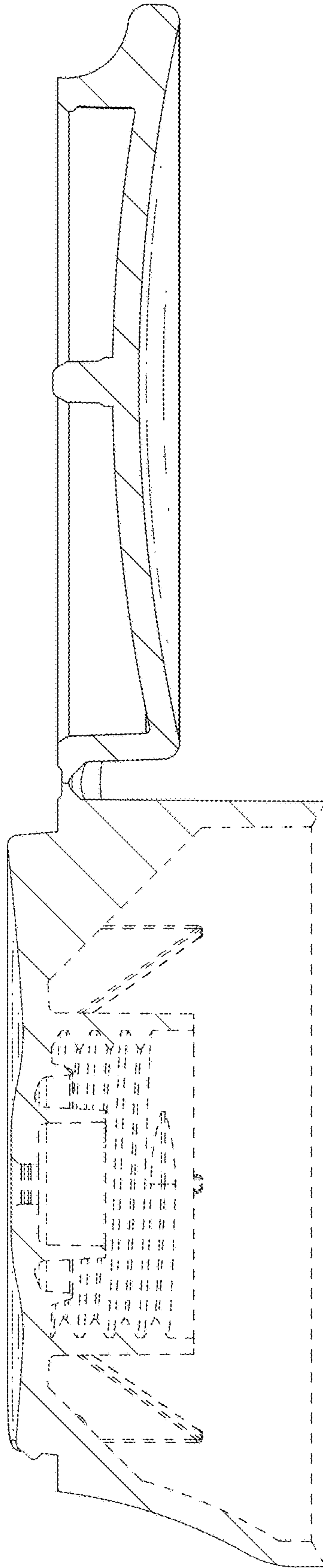


FIG. 7

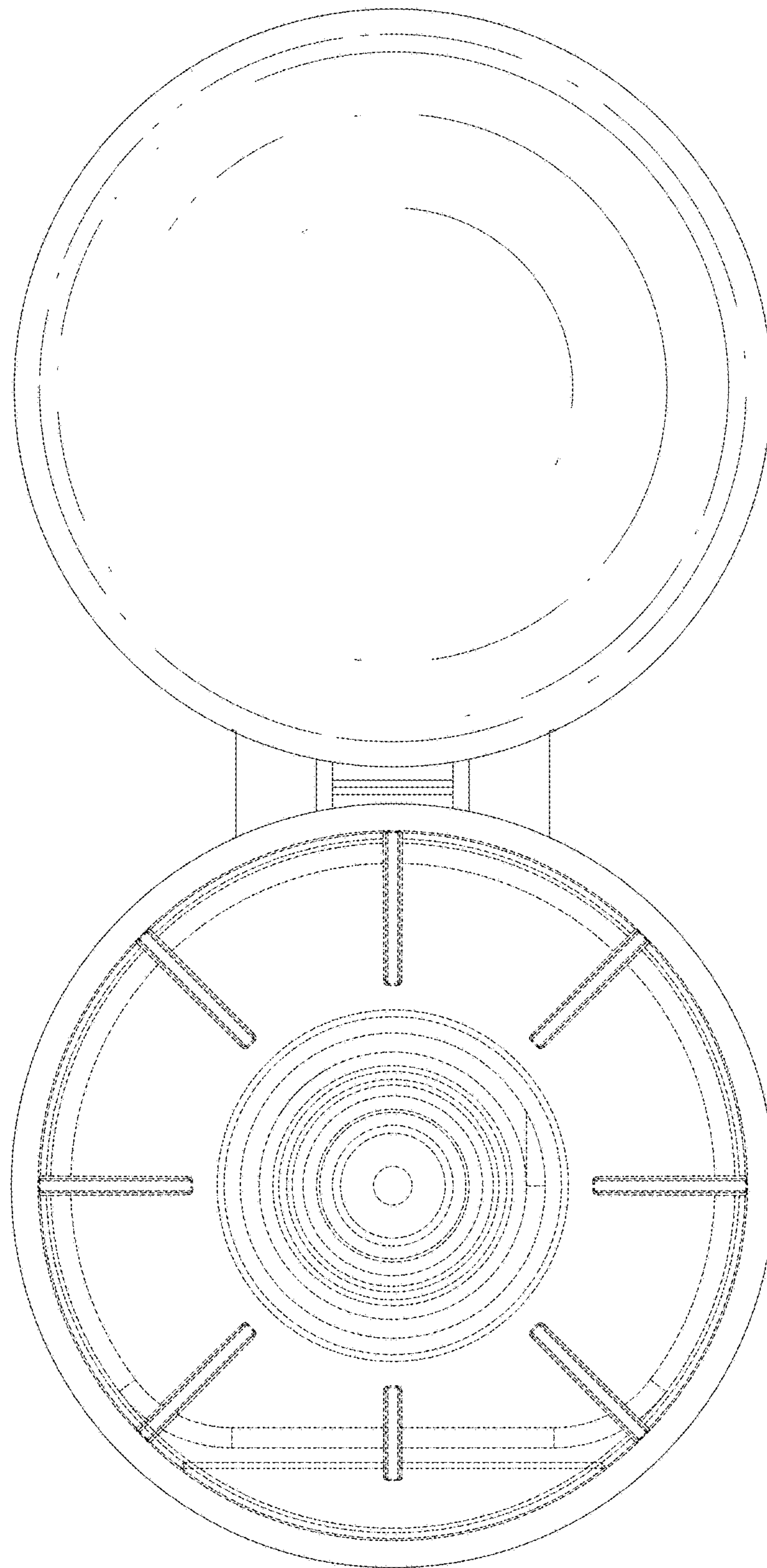


FIG. 8