



US00D783399S

(12) **United States Design Patent** (10) **Patent No.:** **US D783,399 S**  
**Williams** (45) **Date of Patent:** **\*\* Apr. 11, 2017**

- (54) **DISPENSING BOX LID**
- (71) Applicant: **Curtis Williams**, Palmdale, CA (US)
- (72) Inventor: **Curtis Williams**, Palmdale, CA (US)
- (\*\*) Term: **15 Years**
- (21) Appl. No.: **29/533,107**
- (22) Filed: **Jul. 14, 2015**

D700,002 S \* 2/2014 Lupo, Jr. .... D7/354  
 D756,160 S \* 5/2016 Lin ..... D7/354  
 2015/0144647 A1\* 5/2015 Williams ..... B65D 43/0222  
 220/796

**Related U.S. Application Data**

- (63) Continuation of application No. 14/614,993, filed on Feb. 5, 2015, now abandoned.
- (51) **LOC (10) Cl.** ..... **09-07**
- (52) **U.S. Cl.**  
USPC ..... **D9/447**
- (58) **Field of Classification Search**  
USPC .... D7/354, 550.1, 554.2, 554.3, 554.4, 566;  
D9/414, 418, 425, 428, 430, 432, 433,  
D9/434, 435, 443, 444, 445, 456;  
206/508; 220/287, 796  
CPC B65D 2543/00083; B65D 53/02; B65D 1/34;  
B65D 1/42  
See application file for complete search history.

**References Cited**

**U.S. PATENT DOCUMENTS**

- 1,265,611 A \* 5/1918 Clarke ..... A47J 27/60  
220/212.5
- D82,100 S \* 9/1930 March ..... D9/433
- D224,735 S \* 9/1972 Reifers ..... 229/407
- D229,171 S \* 11/1973 Duhy ..... D9/425
- 4,223,619 A \* 9/1980 Hare ..... B21D 51/22  
228/196
- D307,967 S \* 5/1990 Lanius ..... D3/309
- D368,584 S \* 4/1996 Stommel, Jr. .... D3/313
- D530,921 S \* 10/2006 Snell ..... D3/304
- D612,608 S \* 3/2010 Snell ..... D3/304
- D651,449 S \* 1/2012 Pallotto ..... D7/368

**OTHER PUBLICATIONS**

Ali Express. 5 Pieces Set Kitchen Storage Boxes Plastic Storage Containers. 2016 [earliest online date], [site visited Jul. 28, 2016], Available from Internet, <URL:http://www.aliexpress.com/store/product/5-Pieces-Set-Kitchen-Storage-Boxes-Plastic-Storage-Containers-w-Lids-Locks-Handle-Bento-Lunch-Box/712905\_32670484958.html>.\*

(Continued)

*Primary Examiner* — Robert M Spear  
*Assistant Examiner* — Darcey E Heflin  
 (74) *Attorney, Agent, or Firm* — Lauson & Tarver, LLP

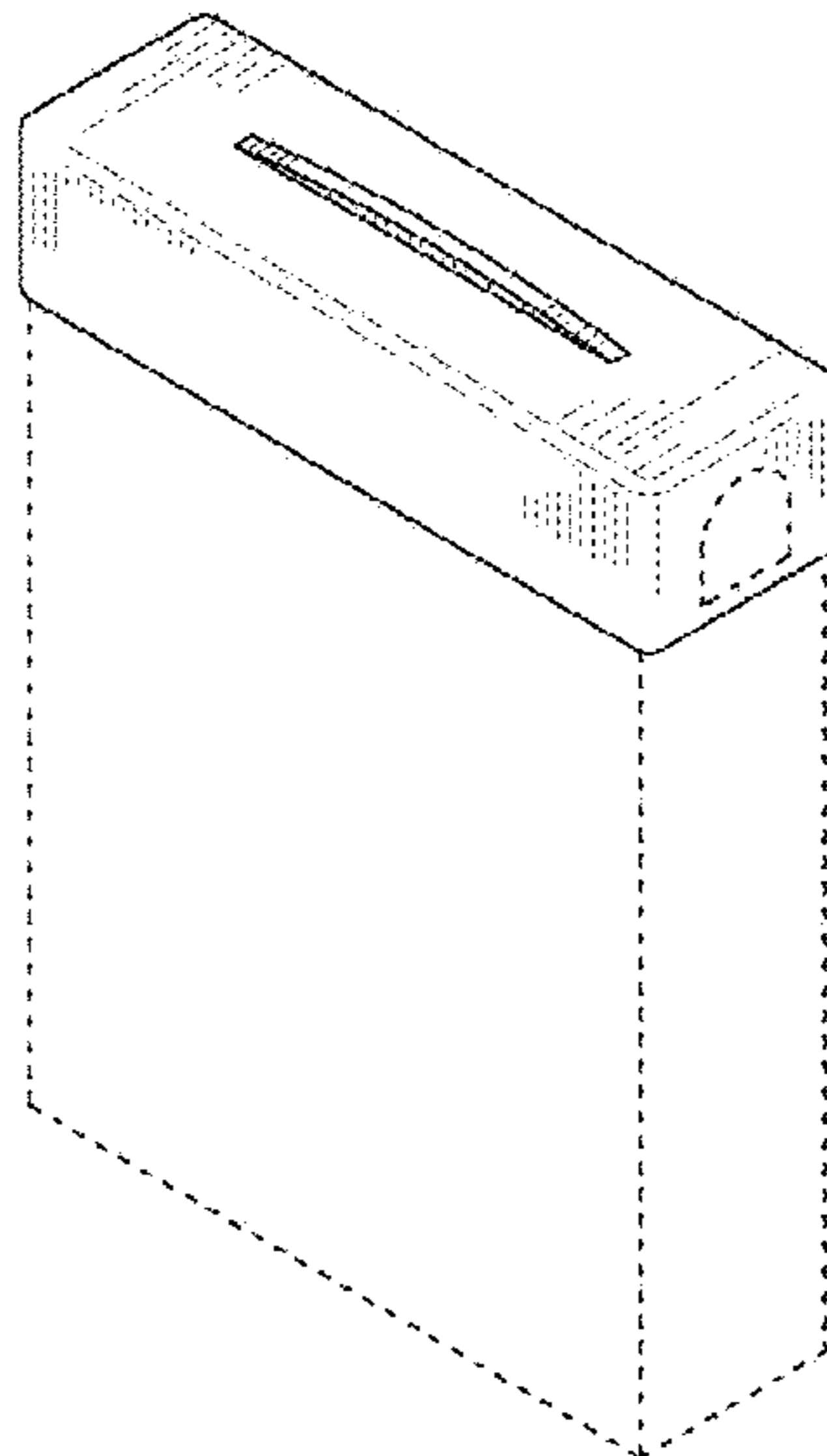
(57) **CLAIM**

The ornamental design for a dispensing box lid, as shown and described.

**DESCRIPTION**

FIG. 1 is a perspective top view of a dispensing box lid according to the new design.  
 FIG. 2 is a front elevational view of the dispensing box lid design, the rear elevational view being a mirror image thereof.  
 FIG. 3 is a right side elevational view of the dispensing box lid design, the left side elevational view being a mirror image thereof; and,  
 FIG. 4 is a perspective bottom view of the dispensing box lid design.  
 In the drawings, the broken line showing of a dispensing box depicts environment and form no part of the claimed design.

**1 Claim, 3 Drawing Sheets**



(56)

**References Cited**

OTHER PUBLICATIONS

Rubbermaid. Modular Cereal Containers. 2013 [earliest online date], [site visited Jul. 28, 2016]. Available from Internet, <URL:<http://www.rubbermaid.com/en-US/modular-cereal-containers>>.\*

Blogspot. Smells Like Food in Here. Apr. 24, 2013 [earliest online date], [site visited Jan. 11, 2017]. Available from Internet, <URL:<http://smellslikefoodinhere.blogspot.com/2013/04/morton-ice-cream-salt.html>>.\*

Giant Eagle. Morton Salt, Kosher, Coarse. 2016 [earliest online date], [site visited Jan. 11, 2017]. Available from Internet, <URL:<https://www.gianteagle.com/24600017008.aspx>>.\*

\* cited by examiner

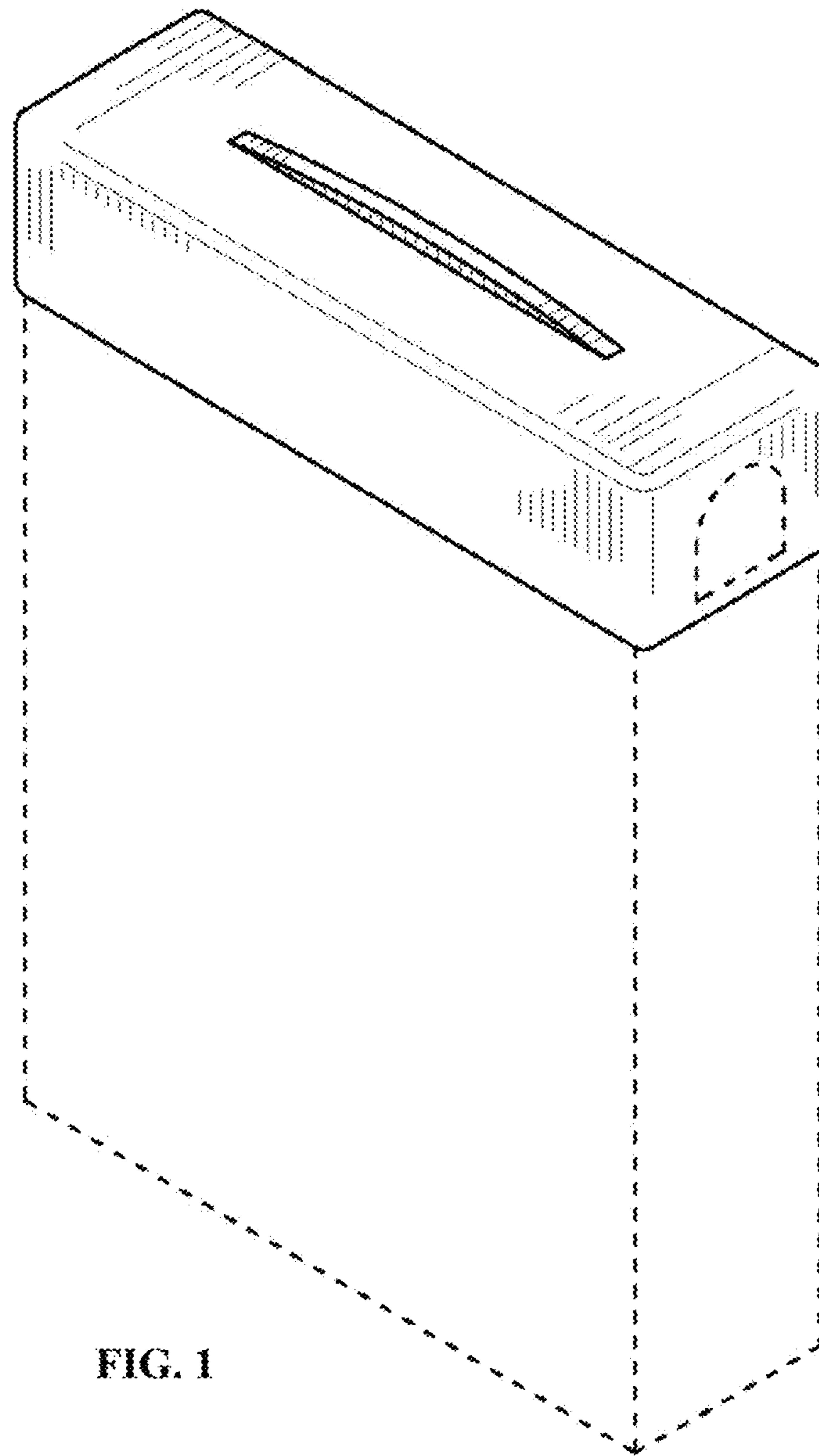


FIG. 1

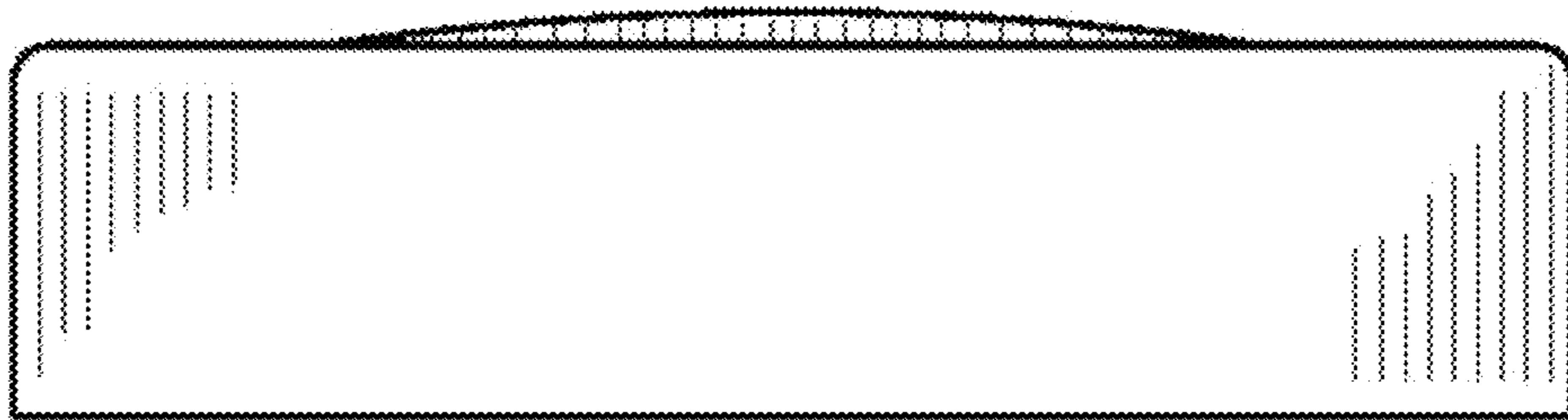


FIG. 2

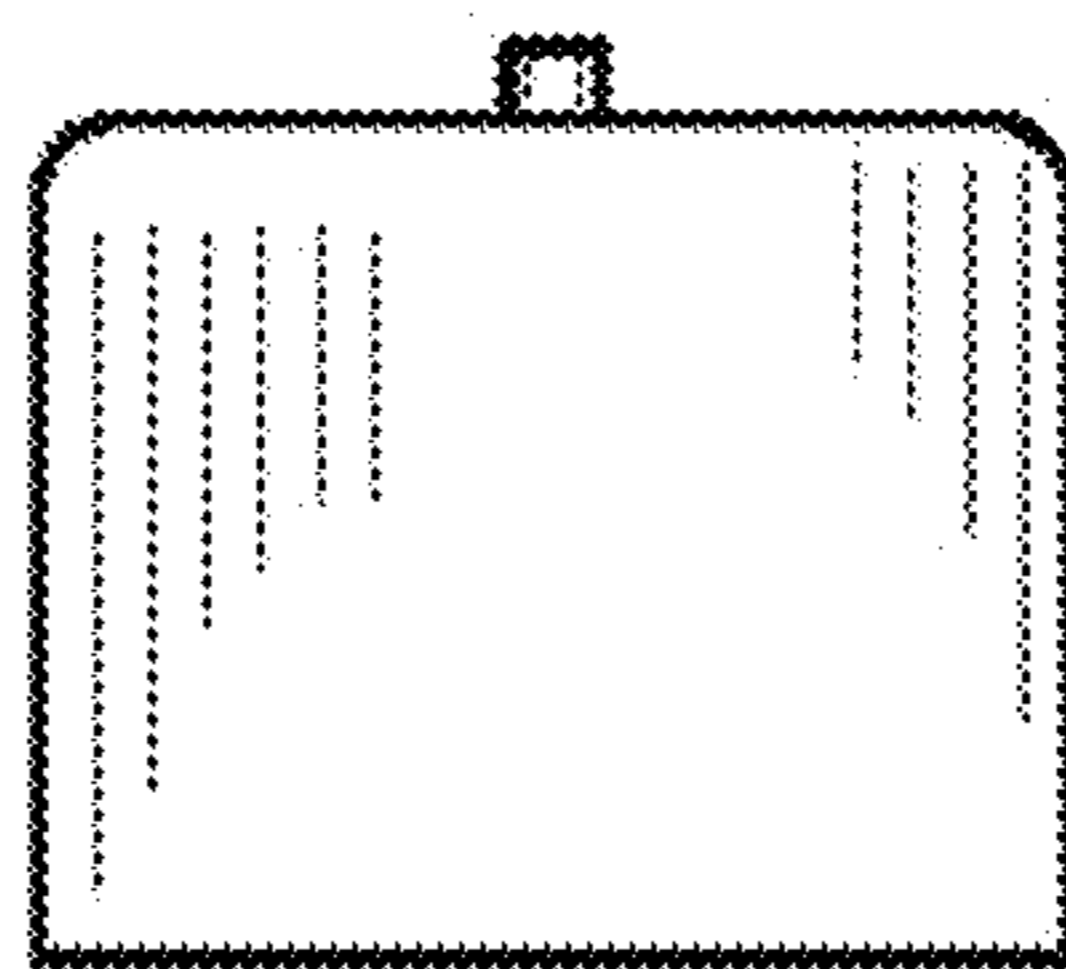


FIG. 3

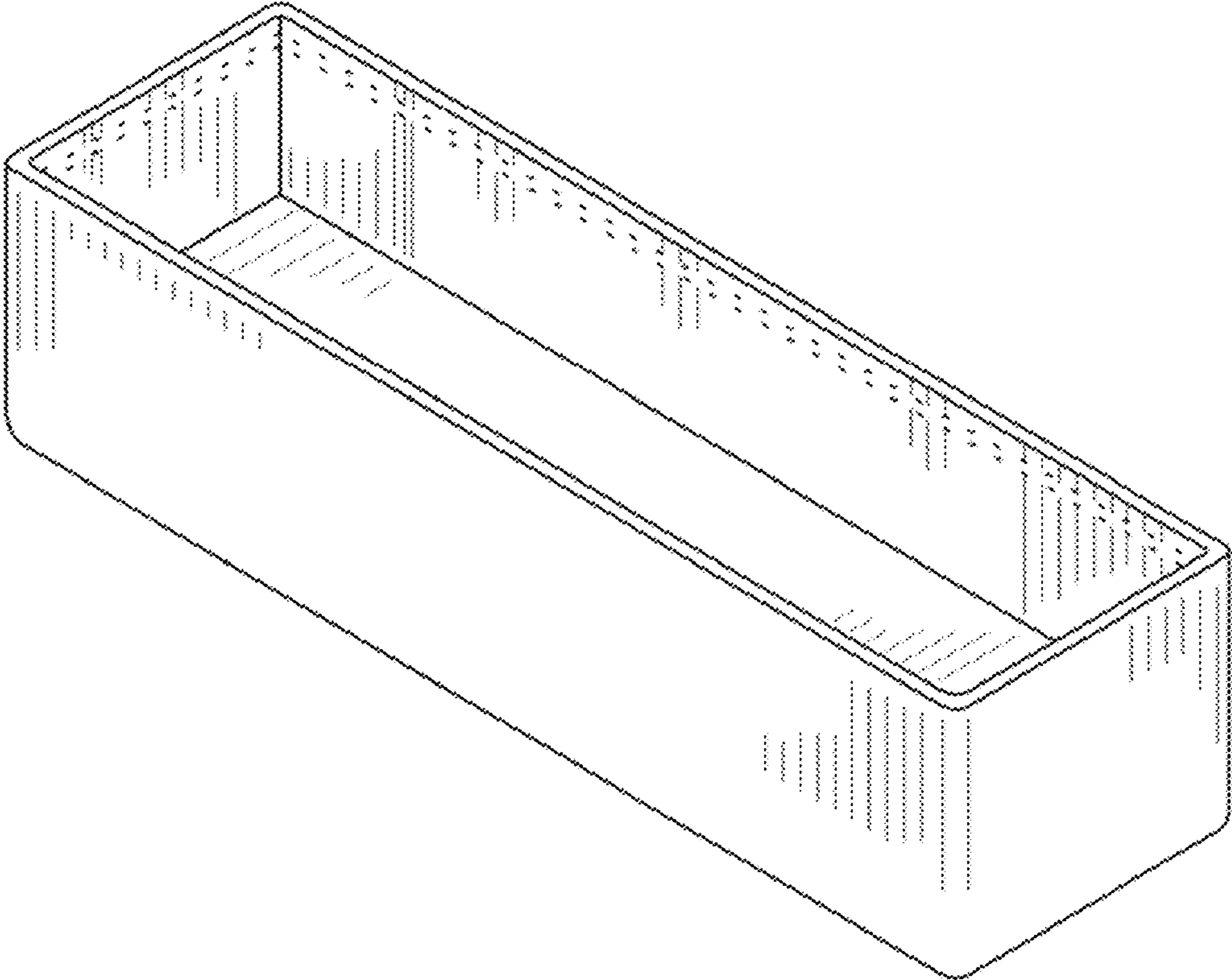


FIG. 4