



US00D783398S

(12) **United States Design Patent** (10) **Patent No.:** **US D783,398 S**
Katopis (45) **Date of Patent:** **** Apr. 11, 2017**

(54) **CONTAINER CAP WITH MEASURING CUP**

(74) *Attorney, Agent, or Firm* — Chris J. Katopis

(71) Applicant: **Chris J. Katopis**, Washington, DC (US)

(57) **CLAIM**

The ornamental design for a container cap with measuring cup, as shown and described.

(72) Inventor: **Chris J. Katopis**, Washington, DC (US)

(**) Term: **14 Years**

DESCRIPTION

(21) Appl. No.: **29/513,593**

FIG. 1 is a front perspective view of a container cap with measuring cup, in a closed position, showing the new design;

(22) Filed: **Jan. 2, 2015**

FIG. 2 is a front view of the embodiment shown in FIG. 1; FIG. 3 is a back view of the embodiment shown in FIG. 1; FIG. 4 is a side view of the embodiment shown in FIG. 1; FIG. 5 is the opposite side view of the embodiment shown in FIG. 4;

(51) **LOC (10) Cl.** **09-07**

(52) **U.S. Cl.**
USPC **D9/436**

FIG. 6 is a top view of the embodiment shown in FIG. 1; FIG. 7 is a bottom view of the embodiment shown in FIG. 1;

(58) **Field of Classification Search**
USPC D9/435-436, 447, 452, 485-486, 439, D9/443
CPC B65D 39/00; B65D 39/16; B65D 42/00; B65D 42/02; B65D 43/32; B65D 45/04; B65D 50/00; B65D 50/02; B65D 51/005; B65D 51/007; B65D 51/14; B65D 51/145;

FIG. 8 is a front perspective view of the embodiment shown in FIG. 1 in an open position;

(Continued)

FIG. 9 is a front view of the embodiment shown in FIG. 8 in an open position;

(56) **References Cited**

U.S. PATENT DOCUMENTS

3,298,577 A * 1/1967 Chlystun B65D 25/44 215/253

D272,130 S * 1/1984 Miyazaki D9/431 (Continued)

FIG. 10 is a back view of the embodiment shown in FIG. 8 in an open position;

FIG. 11 is a side view of the embodiment shown in FIG. 8 in an open position;

OTHER PUBLICATIONS

Silicon Cupcake Liners www.amazon.com/silicon-cupcake-liners-baking-cups-container/dp/BHULMUC7G.

FIG. 12 is the opposite side view of the embodiment shown in FIG. 11 in an open position;

FIG. 13 is a top view of the embodiment shown in FIG. 8 in an open position; and,

FIG. 14 is a bottom view of the embodiment shown in FIG. 8 in an open position.

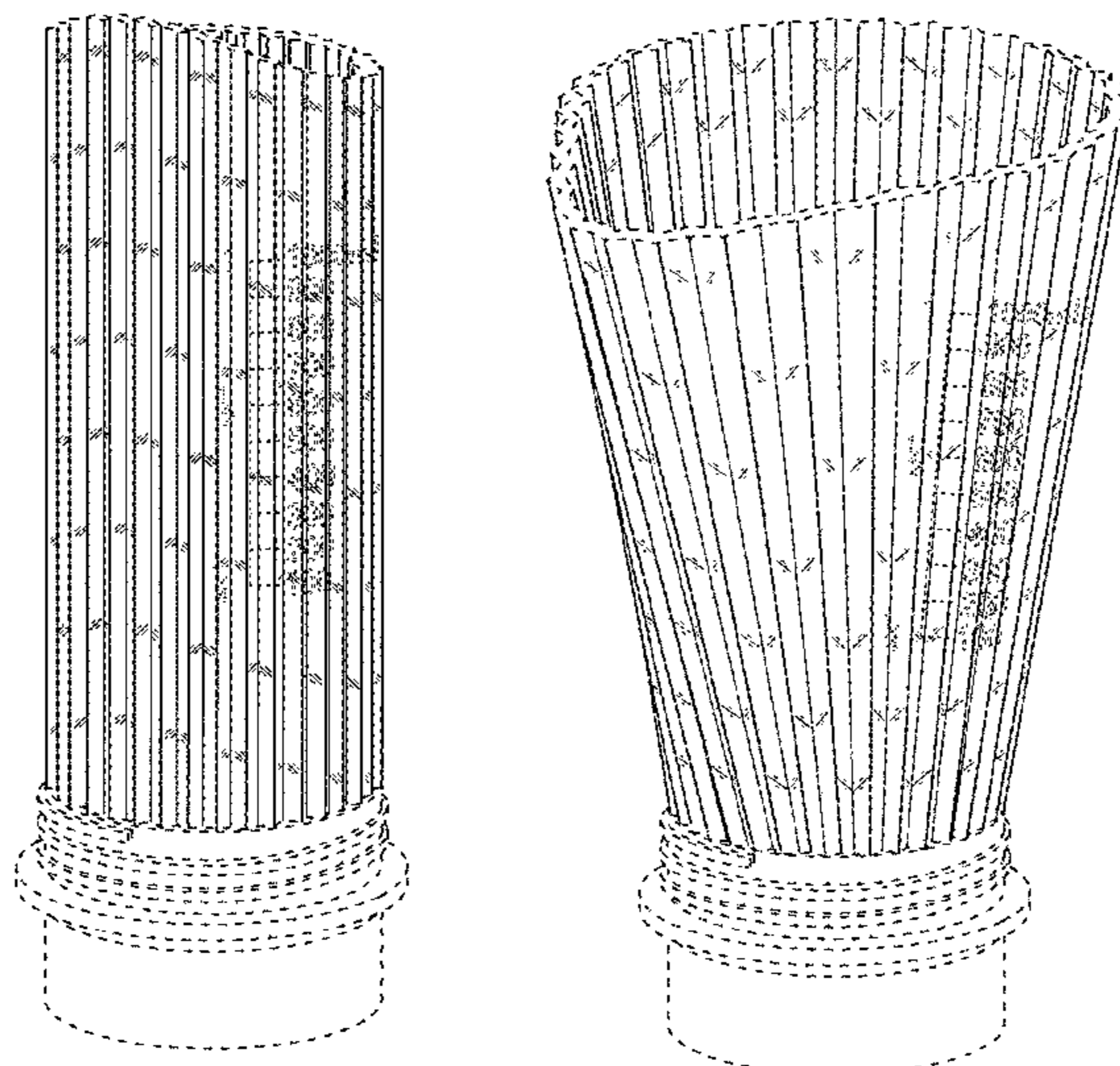
The broken lines in the drawing illustrate portions of the container cap with measuring cup which form no part of the claimed design.

Oblique line shading illustrates the transparent and/or translucent appearance of the claimed design.

Primary Examiner — Robin V Webster

Assistant Examiner — Rachel Voorhies

1 Claim, 10 Drawing Sheets



(58) **Field of Classification Search**

CPC B65D 51/18; B65D 51/28; B65D 51/2807;
B65D 53/02

See application file for complete search history.

(56) **References Cited**

U.S. PATENT DOCUMENTS

4,712,725 A * 12/1987 Moore B65D 3/20
220/DIG. 30
4,930,680 A * 6/1990 Hanus B65D 5/06
229/110
4,986,432 A 1/1991 Anghileri
D325,168 S * 4/1992 Dlabac 229/120.03
D402,197 S * 12/1998 Poulin D9/712
D412,570 S * 8/1999 Szwartz D23/374
D432,915 S * 10/2000 Smith D9/436
D459,652 S * 7/2002 Beutler D9/433
D495,209 S * 8/2004 Tranfaglia D7/509
D510,863 S * 10/2005 Juhng D9/436
D545,113 S 6/2007 Lion et al.
D572,520 S 7/2008 Lion et al.
D574,662 S 8/2008 Vendl et al.
D575,096 S 8/2008 Vendl et al.
D578,828 S 10/2008 Vendl et al.
D579,275 S 10/2008 Vendl et al.
D579,711 S 11/2008 Vendl et al.
D708,058 S * 7/2014 Salamon-Hickey D9/435
D708,059 S * 7/2014 Hickey D9/435

* cited by examiner

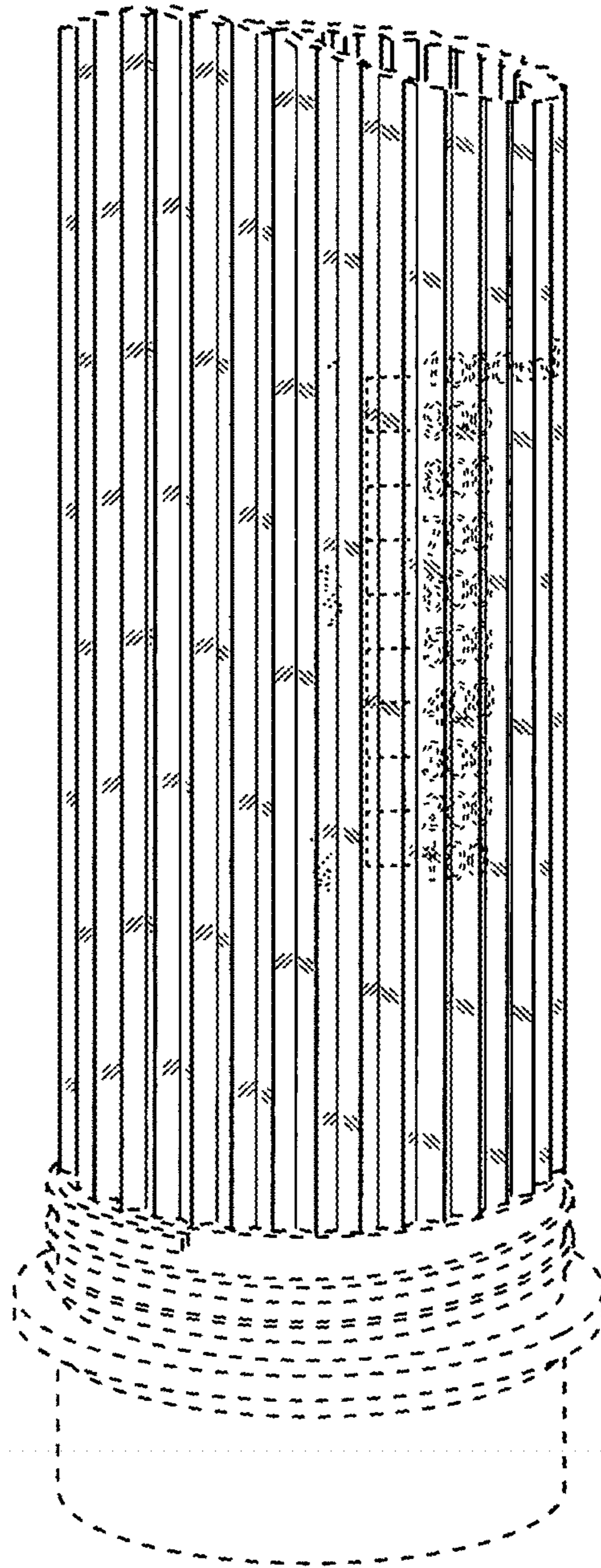


FIG. 1

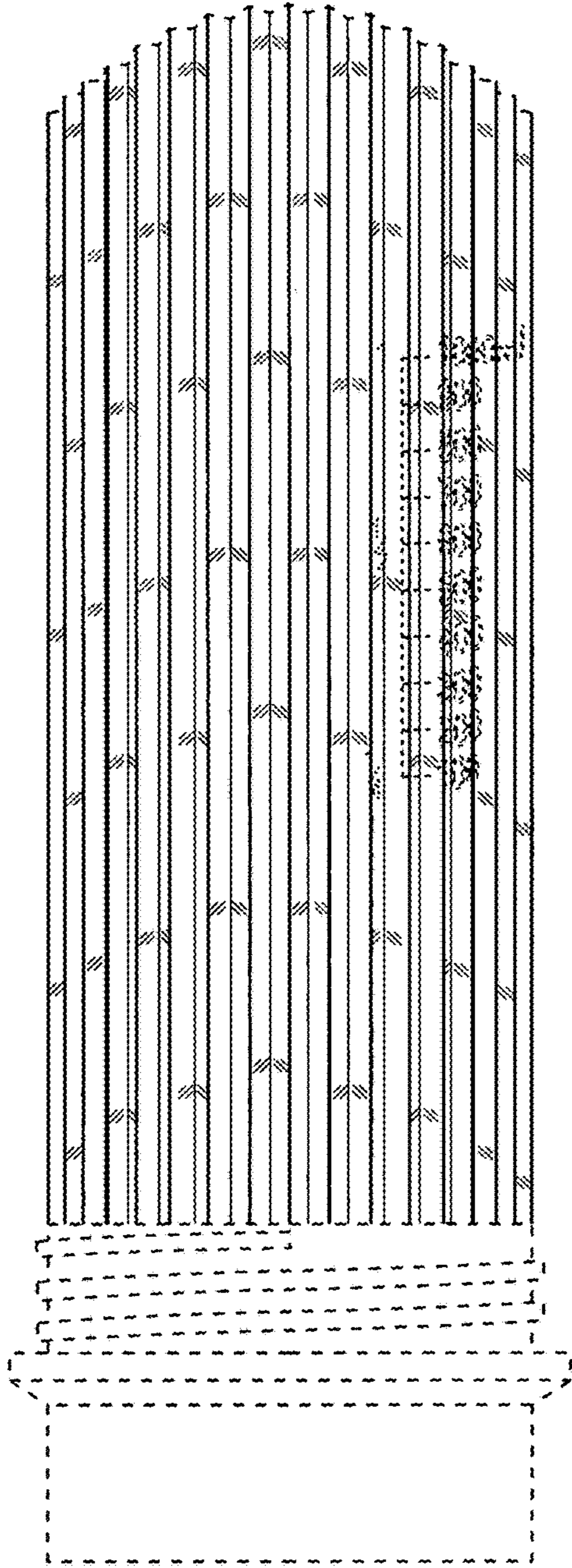


FIG. 2

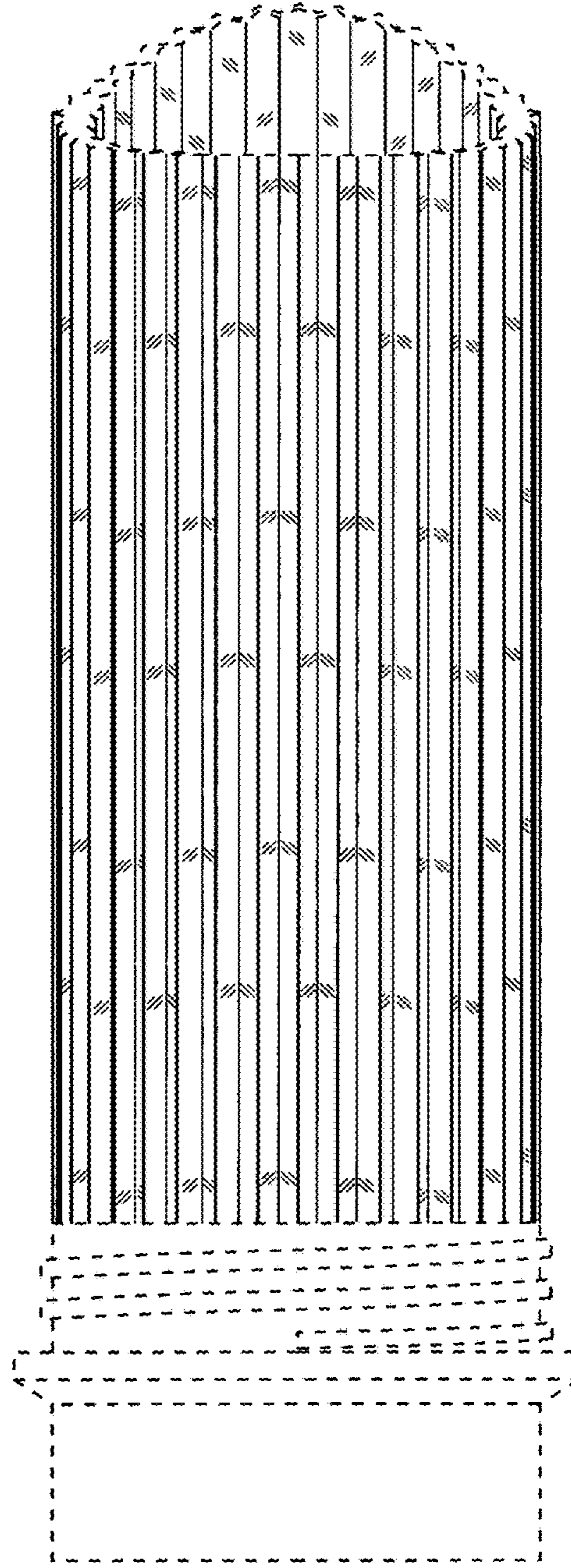


FIG. 3

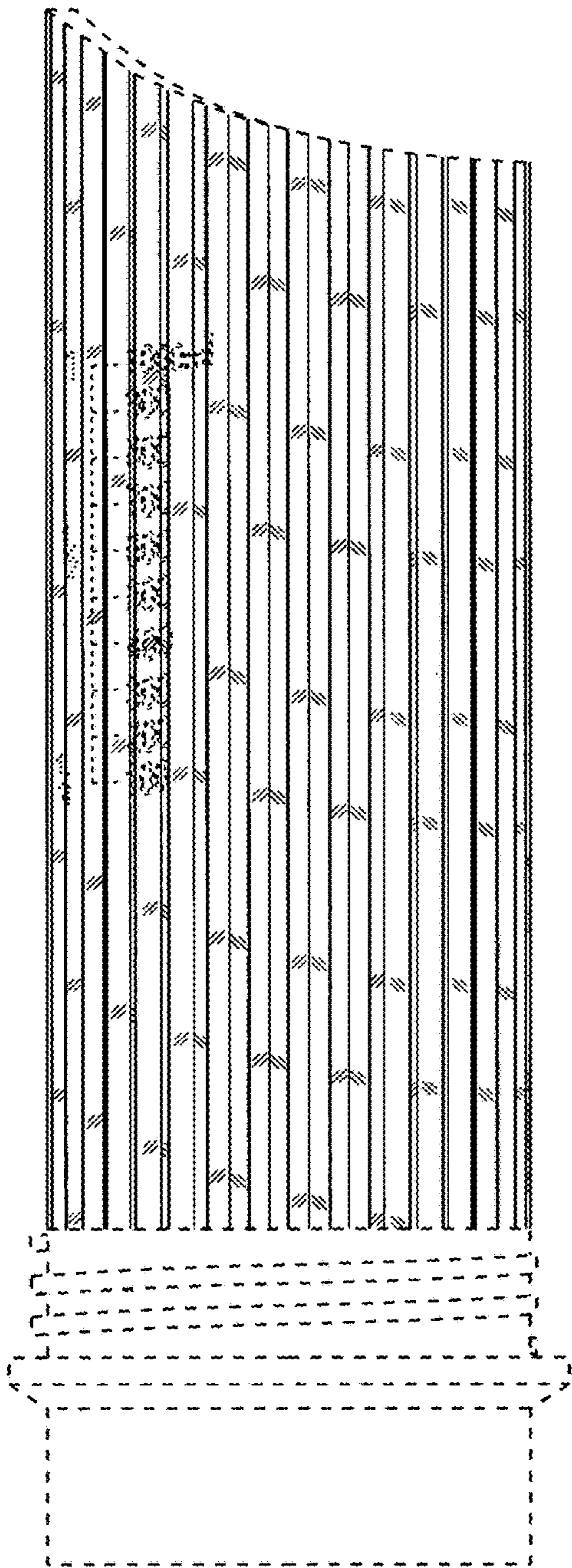


FIG. 4

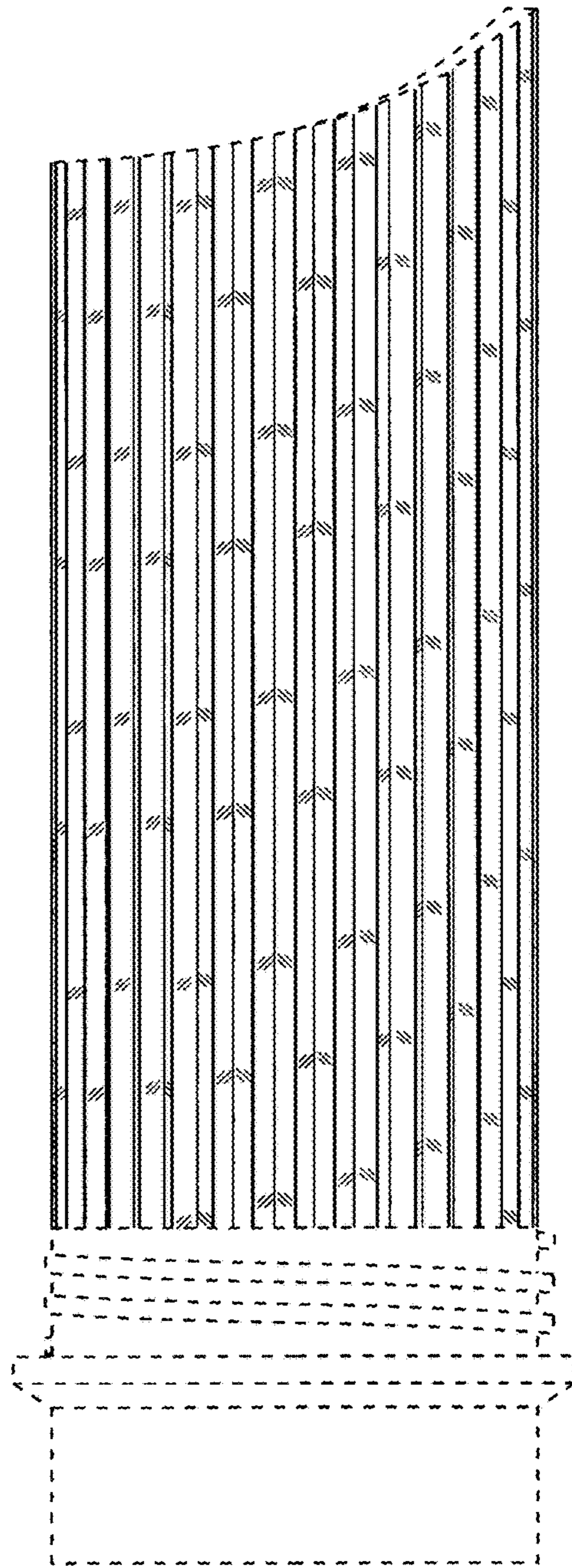


FIG. 5

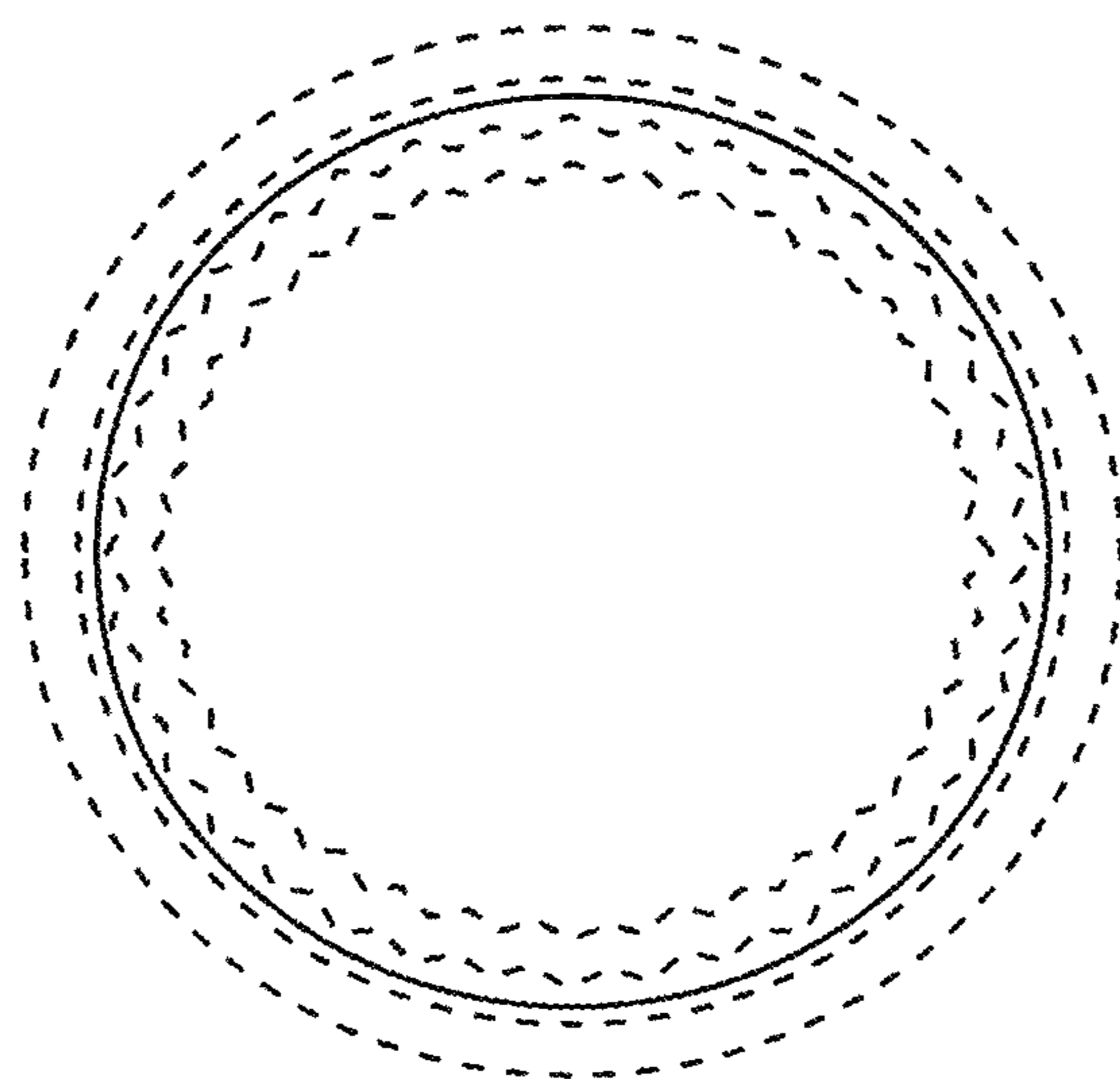


FIG. 6

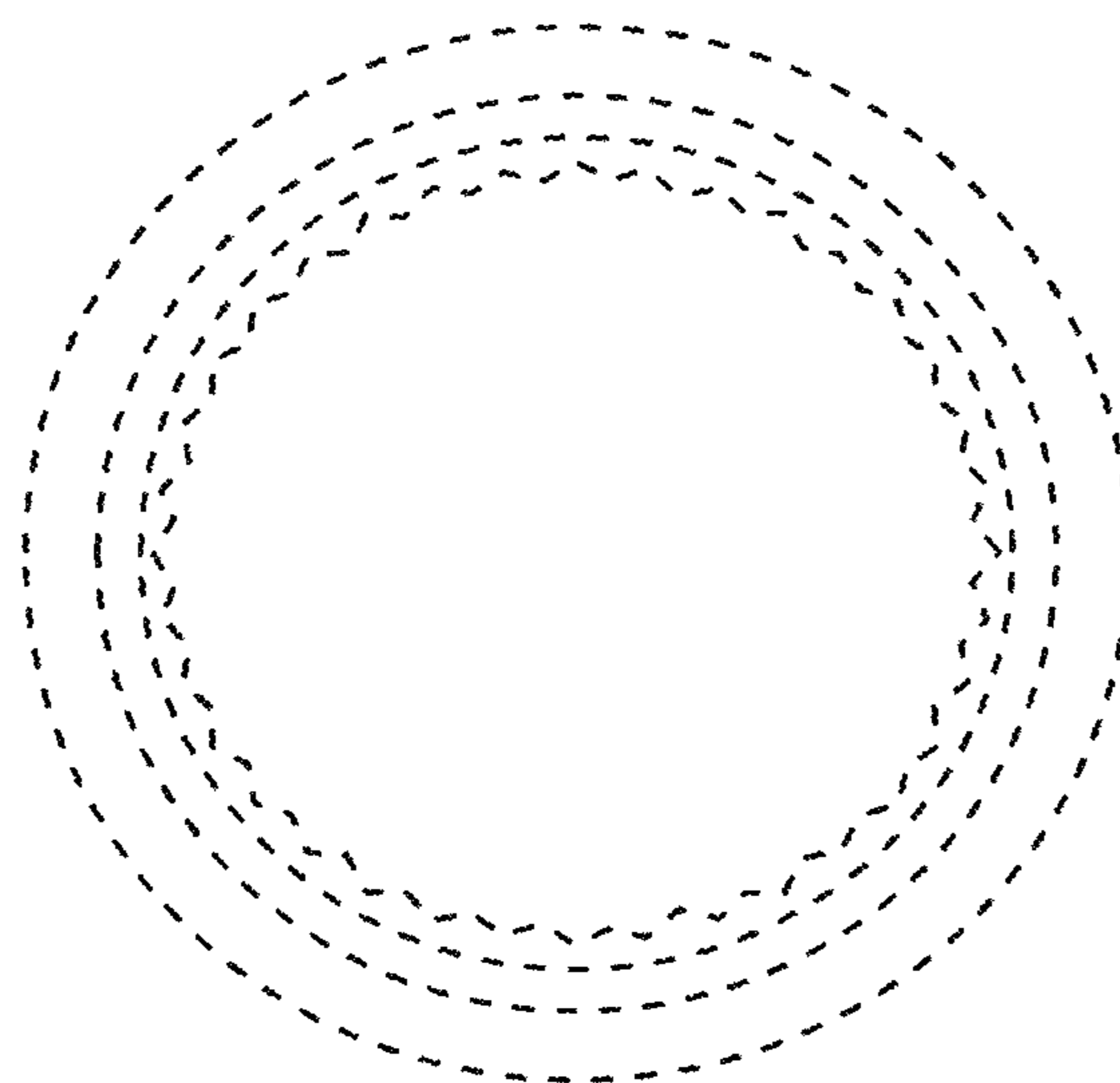


FIG. 7

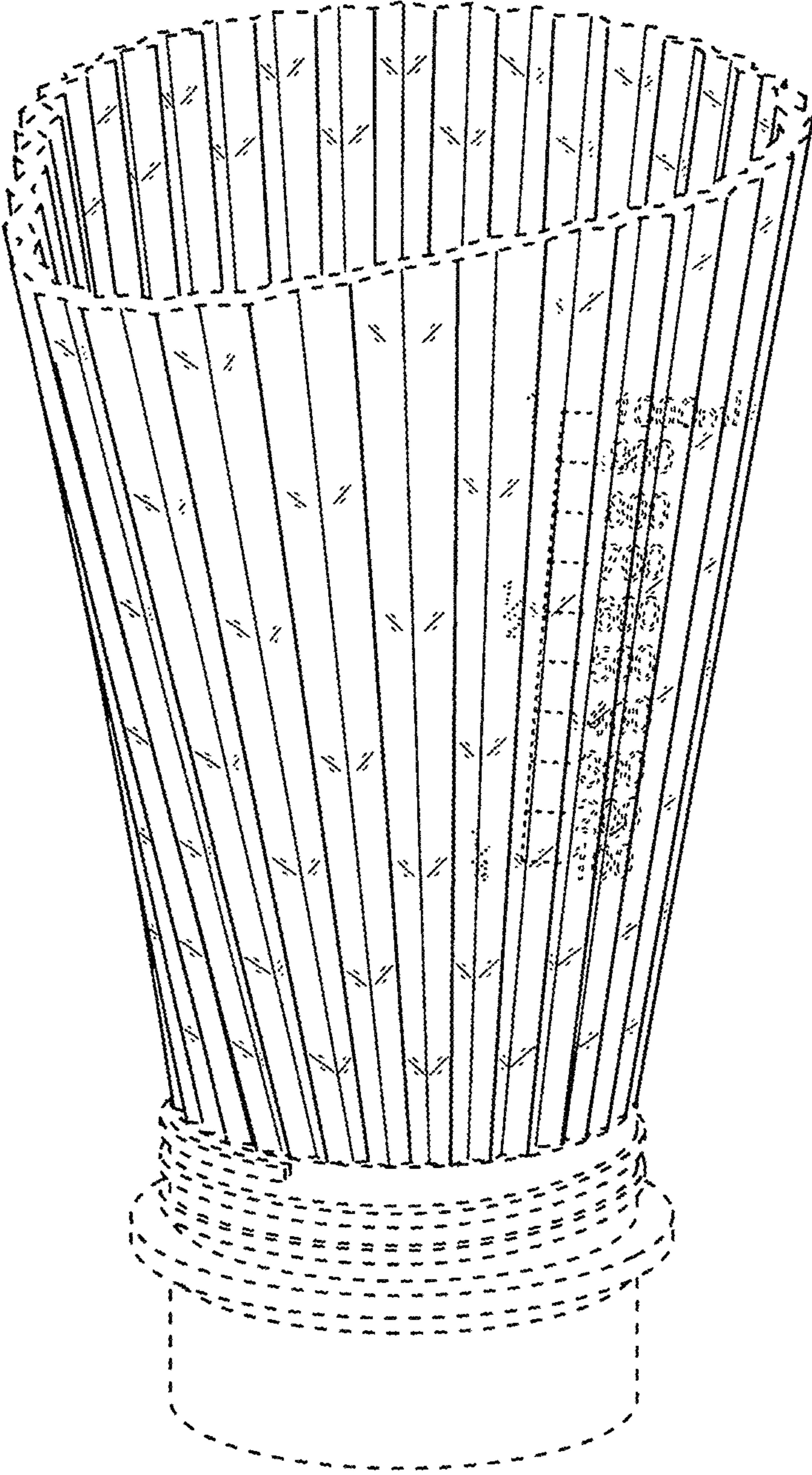


FIG. 8

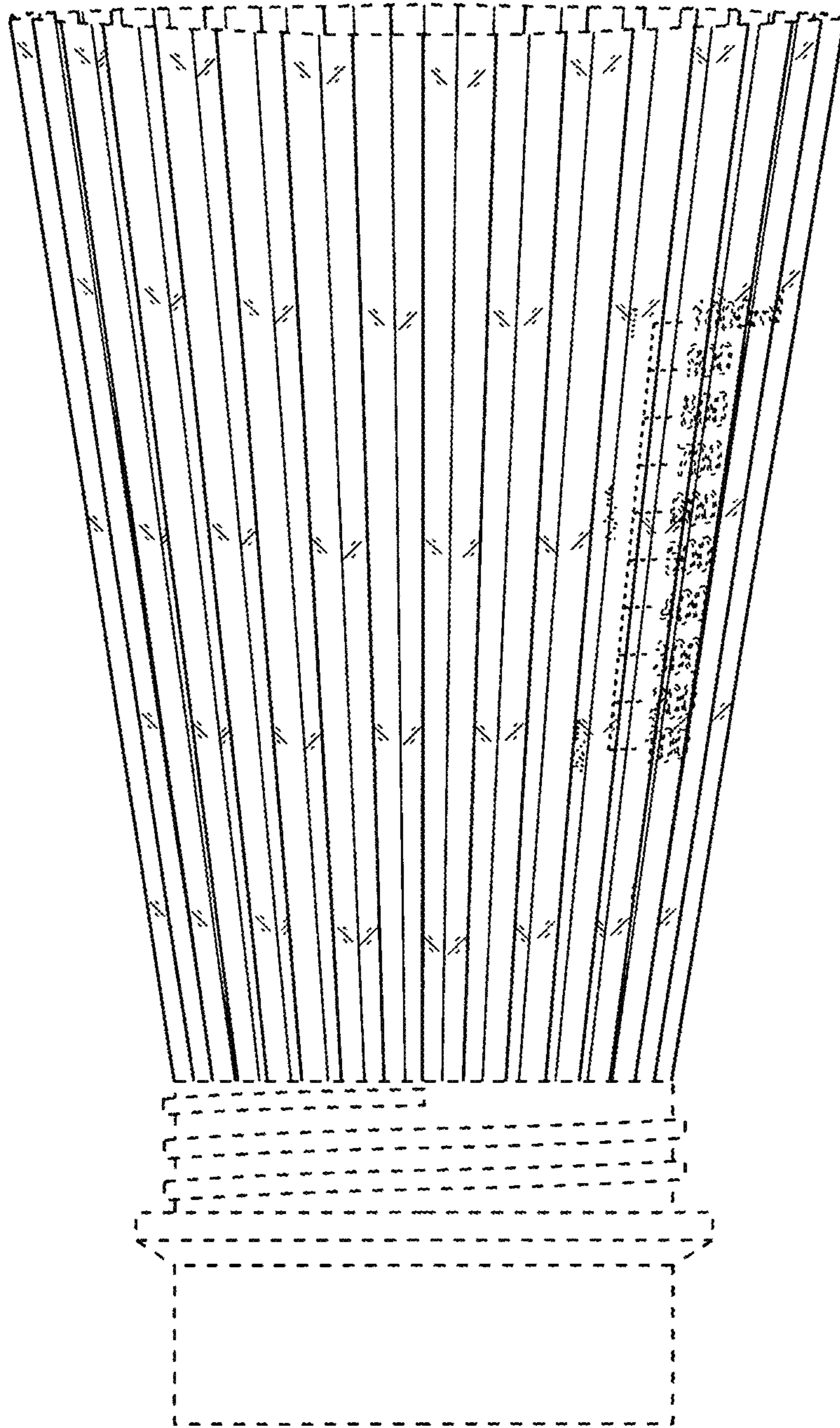


FIG. 9

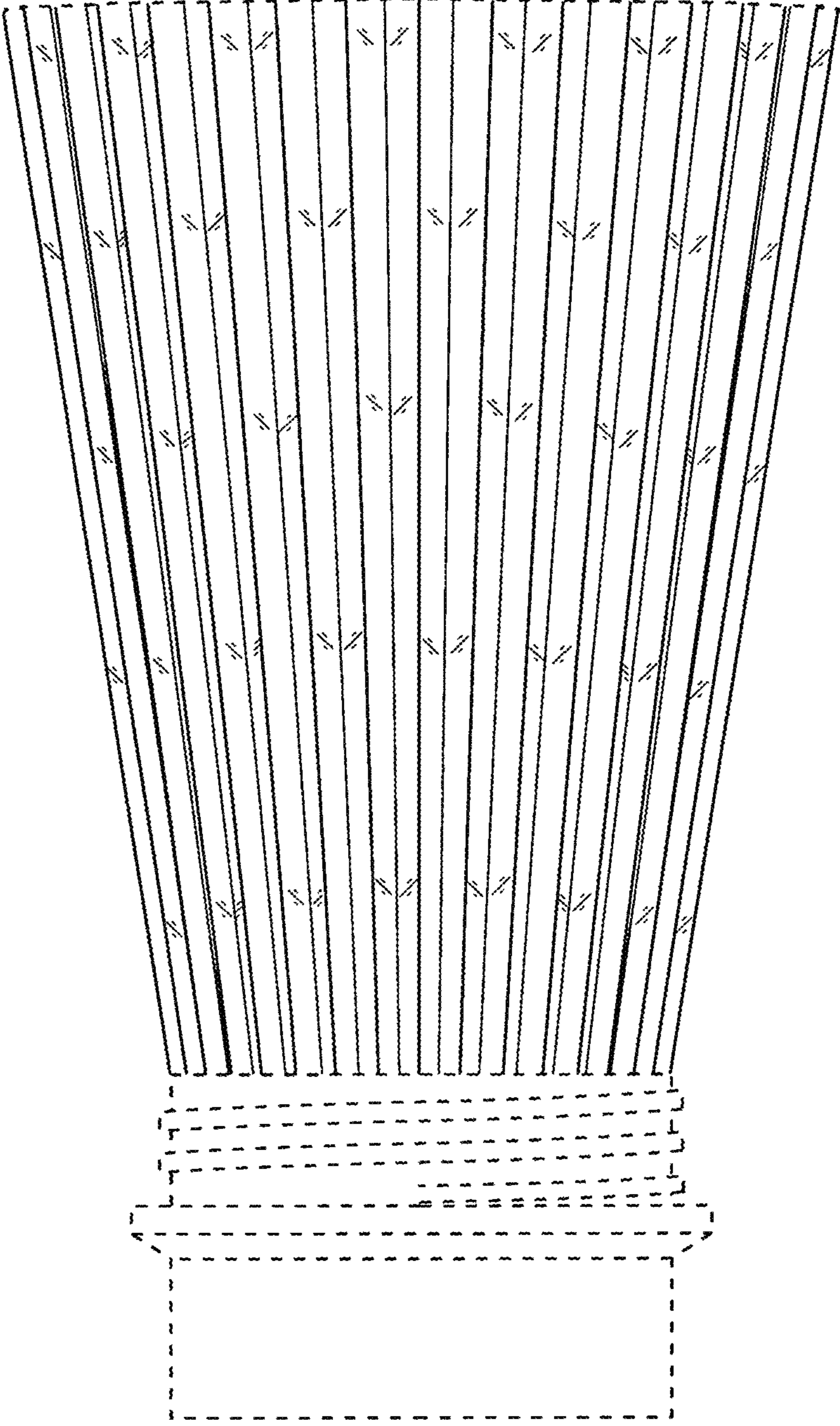


FIG. 10

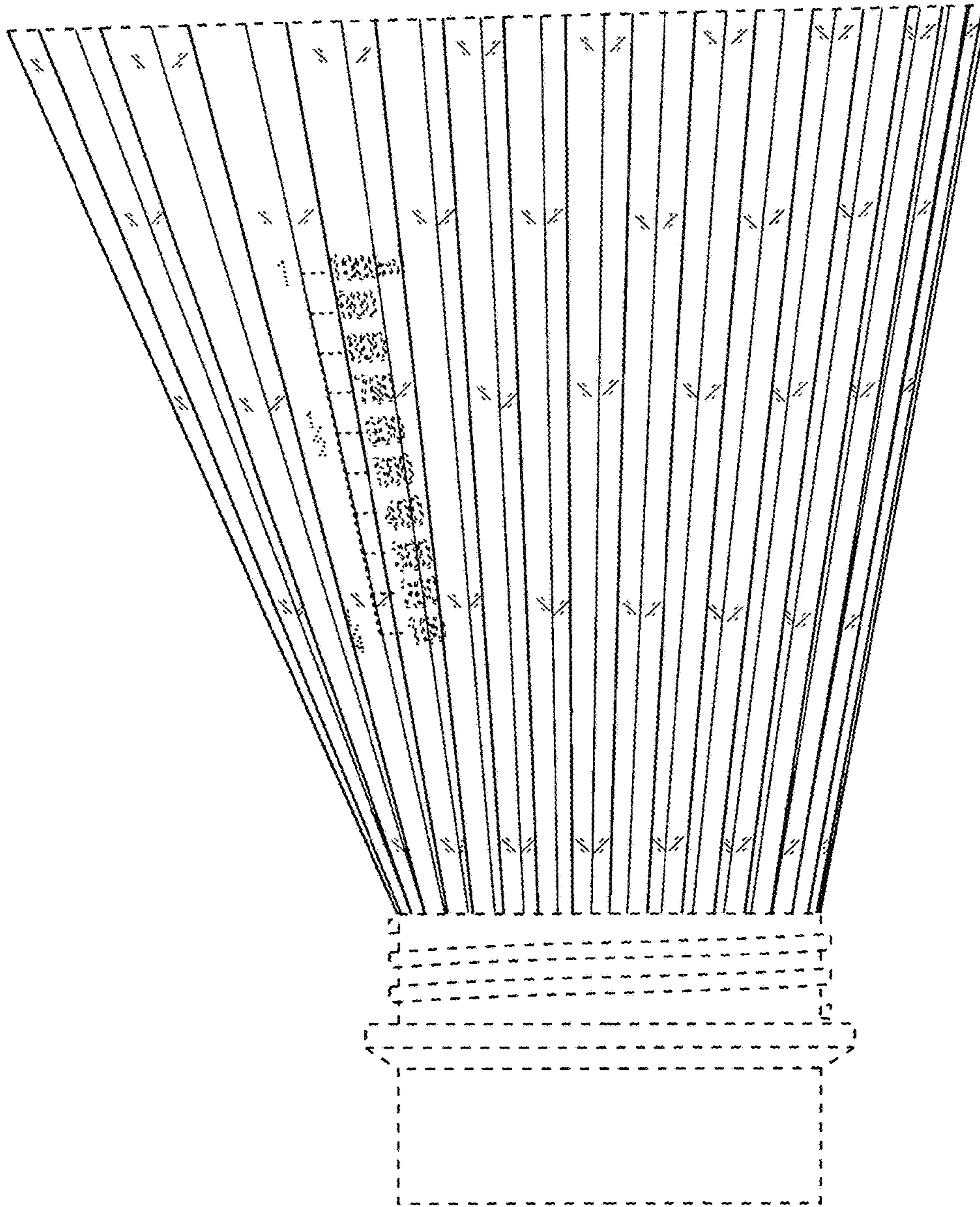


FIG. 11

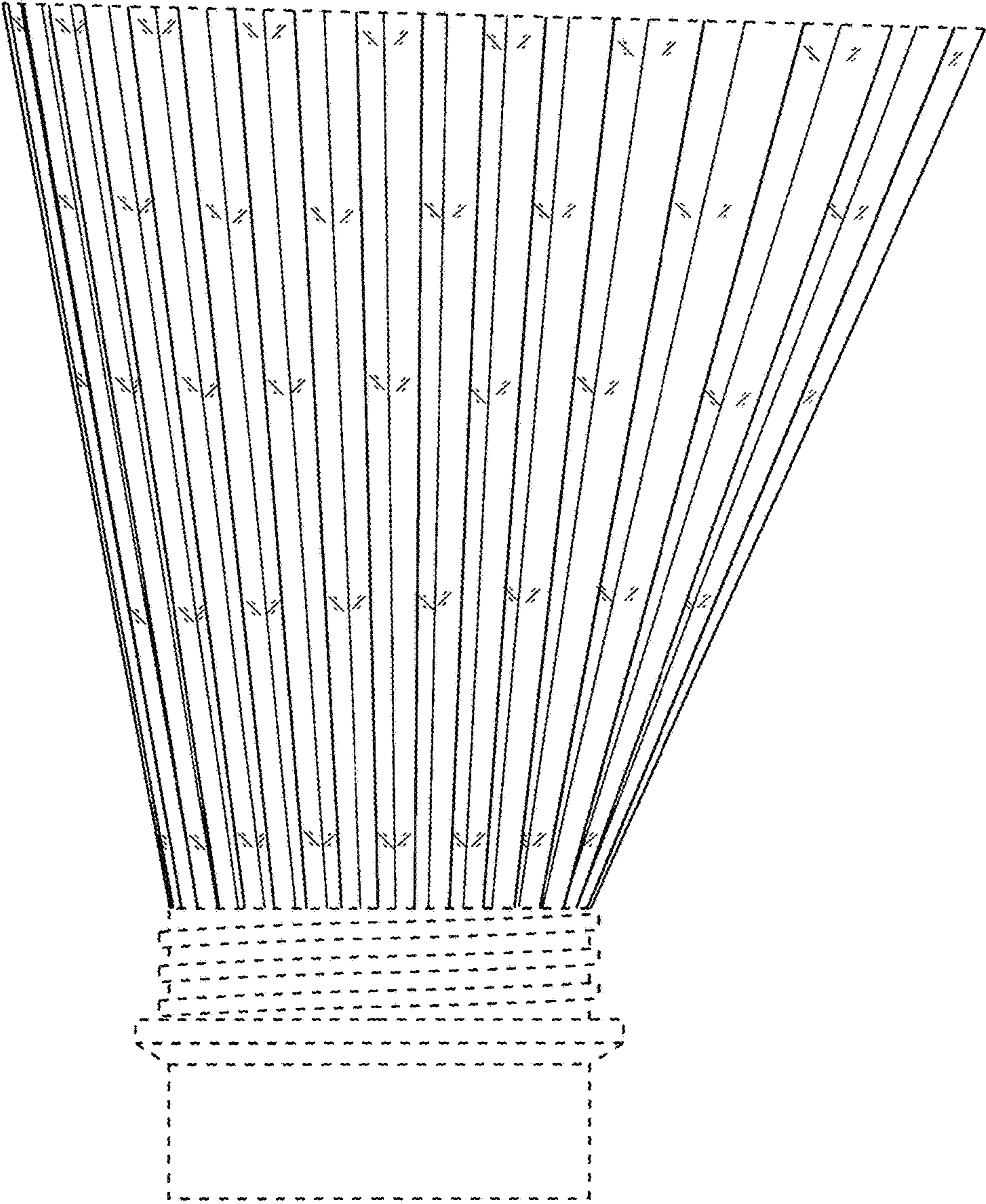


FIG. 12

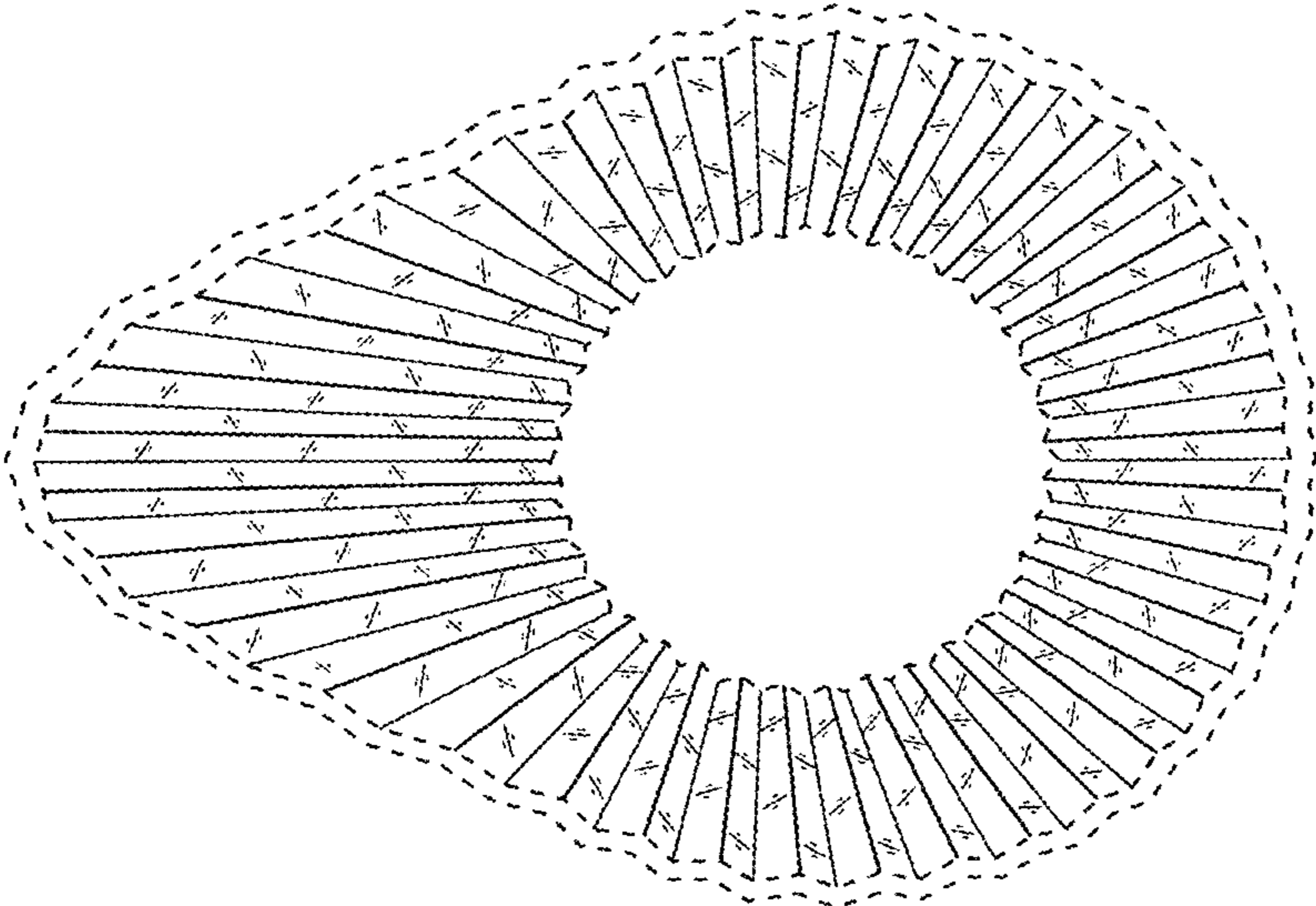


FIG. 13

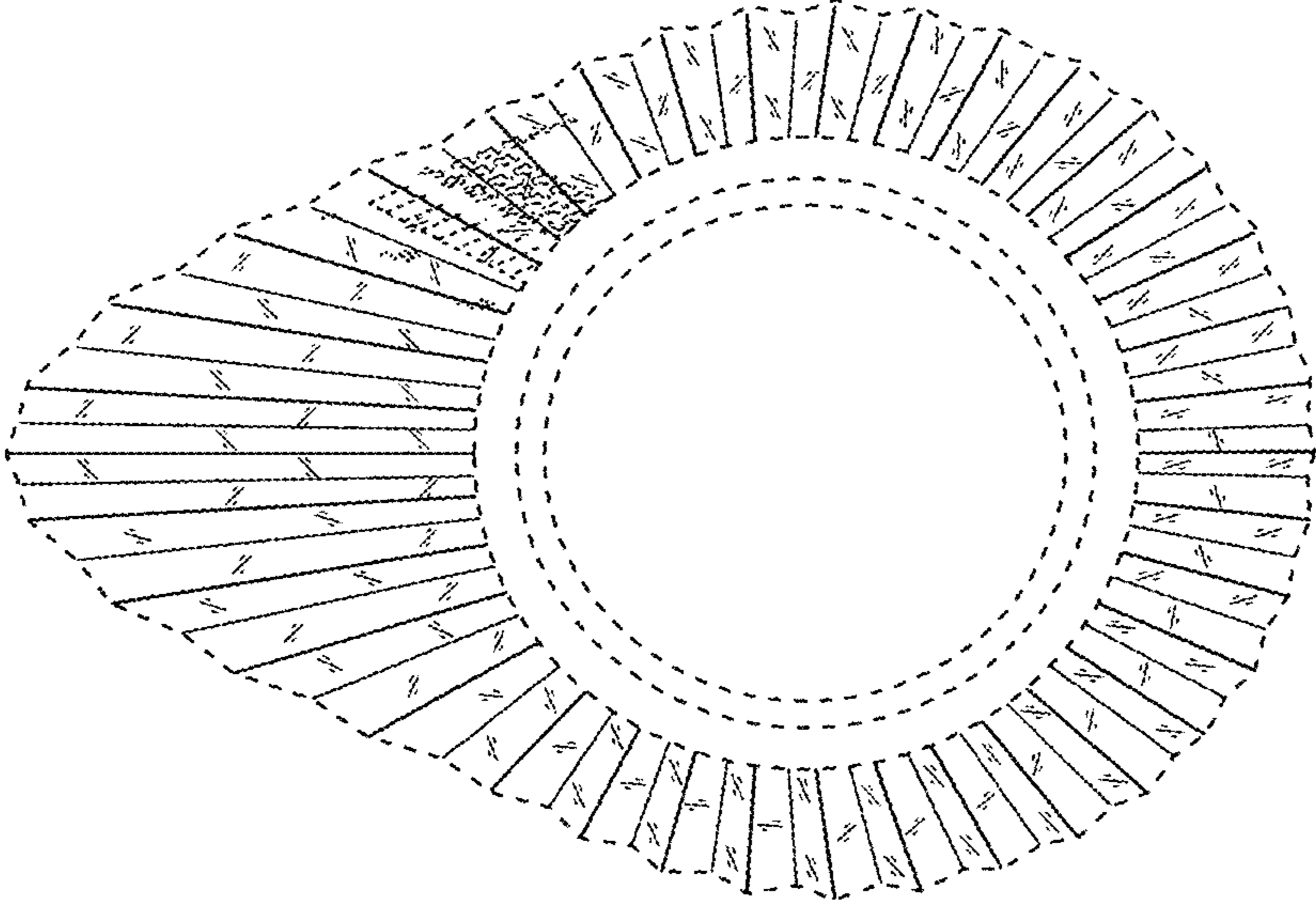


FIG. 14