



US00D783395S

(12) **United States Design Patent** (10) **Patent No.:** **US D783,395 S**
Wang (45) **Date of Patent:** **** Apr. 11, 2017**

(54) **DISPLAY CONTAINER**
(71) Applicant: **ARIA PRODUCTS L.L.C.**, Dover, DE (US)
(72) Inventor: **Daniel Wang**, Chung Hua Hsien (TW)
(73) Assignee: **Aria Products L.L.C.**, Dover, DE (US)
(**) Term: **15 Years**
(21) Appl. No.: **29/533,807**
(22) Filed: **Jul. 22, 2015**
(51) **LOC (10) Cl.** **09-03**
(52) **U.S. Cl.**
USPC **D9/418**
(58) **Field of Classification Search**
USPC D7/601, 602, 612, 703; D9/414, 415, D9/417, 418, 430, 432-436, 455-457, D9/499
CPC B65D 5/18; B65D 5/36; B65D 71/16
See application file for complete search history.

D320,556 S * 10/1991 Fairhurst D6/559
D435,442 S * 12/2000 Candelin D9/415
D477,999 S * 8/2003 Lloyd D9/414
D536,244 S * 2/2007 Ahn D9/418
D575,149 S * 8/2008 Baranowski D9/432
D597,835 S * 8/2009 Kwon D9/432

OTHER PUBLICATIONS

WestRock. Displays. 2016 [earliest online date], [site visited Oct. 19, 2016]. Available from Internet, <URL:https://www.westrock.com/en/products/displays#top>.*

* cited by examiner

Primary Examiner — Robert M Spear
Assistant Examiner — Darcey E Heflin
(74) *Attorney, Agent, or Firm* — Muncy, Geissler, Olds & Lowe, P.C.

(57) **CLAIM**

The ornamental design for a display container, as shown and described.

DESCRIPTION

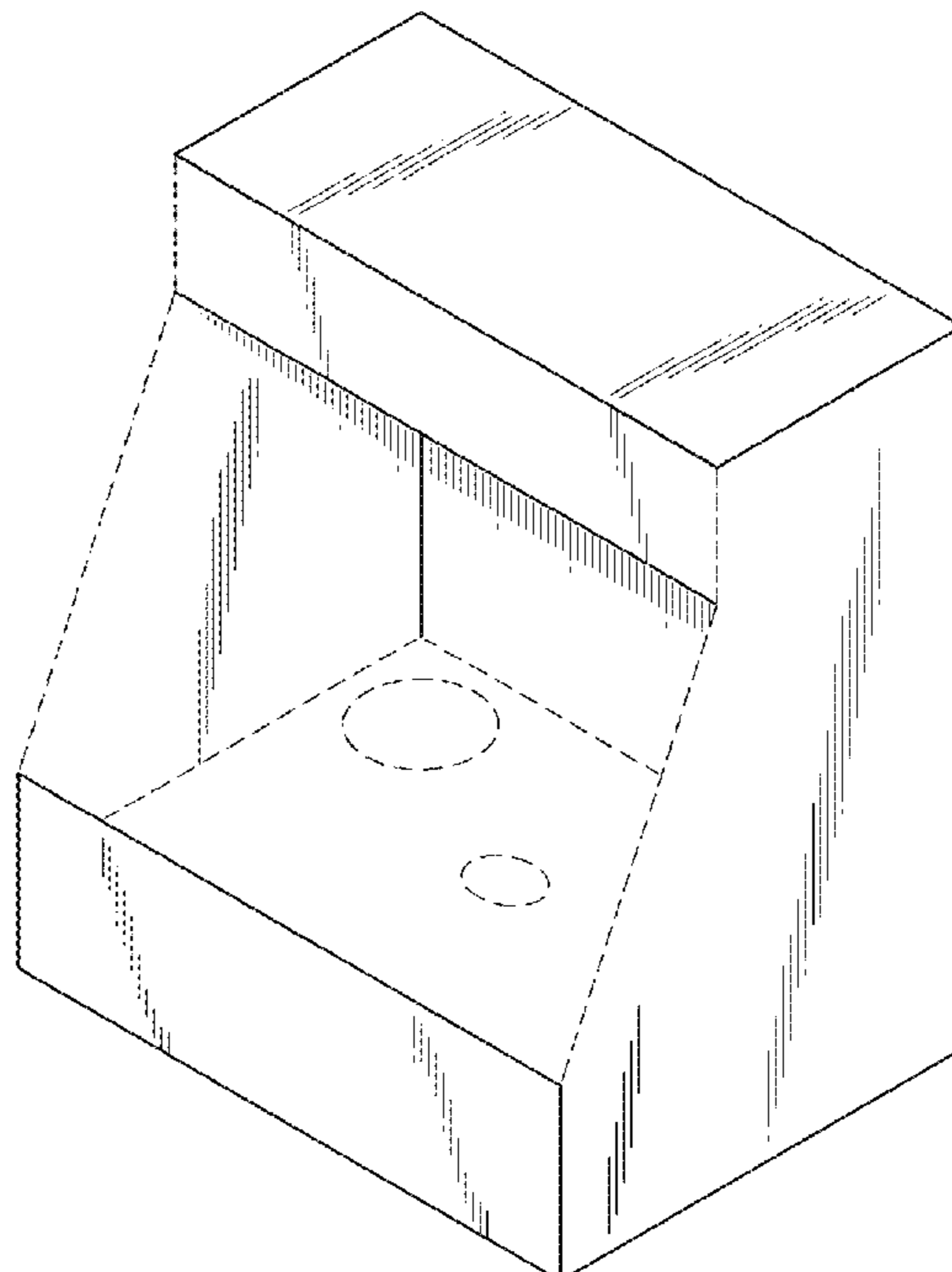
FIG. 1 is a perspective view of the present design;
FIG. 2 is a front view of the present design;
FIG. 3 is a rear view of the present design;
FIG. 4 is a right side view of the present design, the left side view being a mirror image thereof;
FIG. 5 is a top view of the present design; and,
FIG. 6 is a bottom view of the present design.
In the drawings, the broken lines showing portions of a display container depict environment and forms no part of the claim.

1 Claim, 5 Drawing Sheets

(56) **References Cited**

U.S. PATENT DOCUMENTS

D21,070 S * 9/1891 Beall D7/703
D207,746 S * 5/1967 Cote D9/418
D211,321 S * 6/1968 Ullmann D9/418
3,765,527 A * 10/1973 Vargo B65D 5/48002
206/223
D246,440 S * 11/1977 Hanson D9/418
D274,407 S * 6/1984 Rosenberg, Jr. D9/418
D286,507 S * 11/1986 Drago D6/535
D291,065 S * 7/1987 Pugh D9/418
D295,960 S * 5/1988 Pugh D9/418



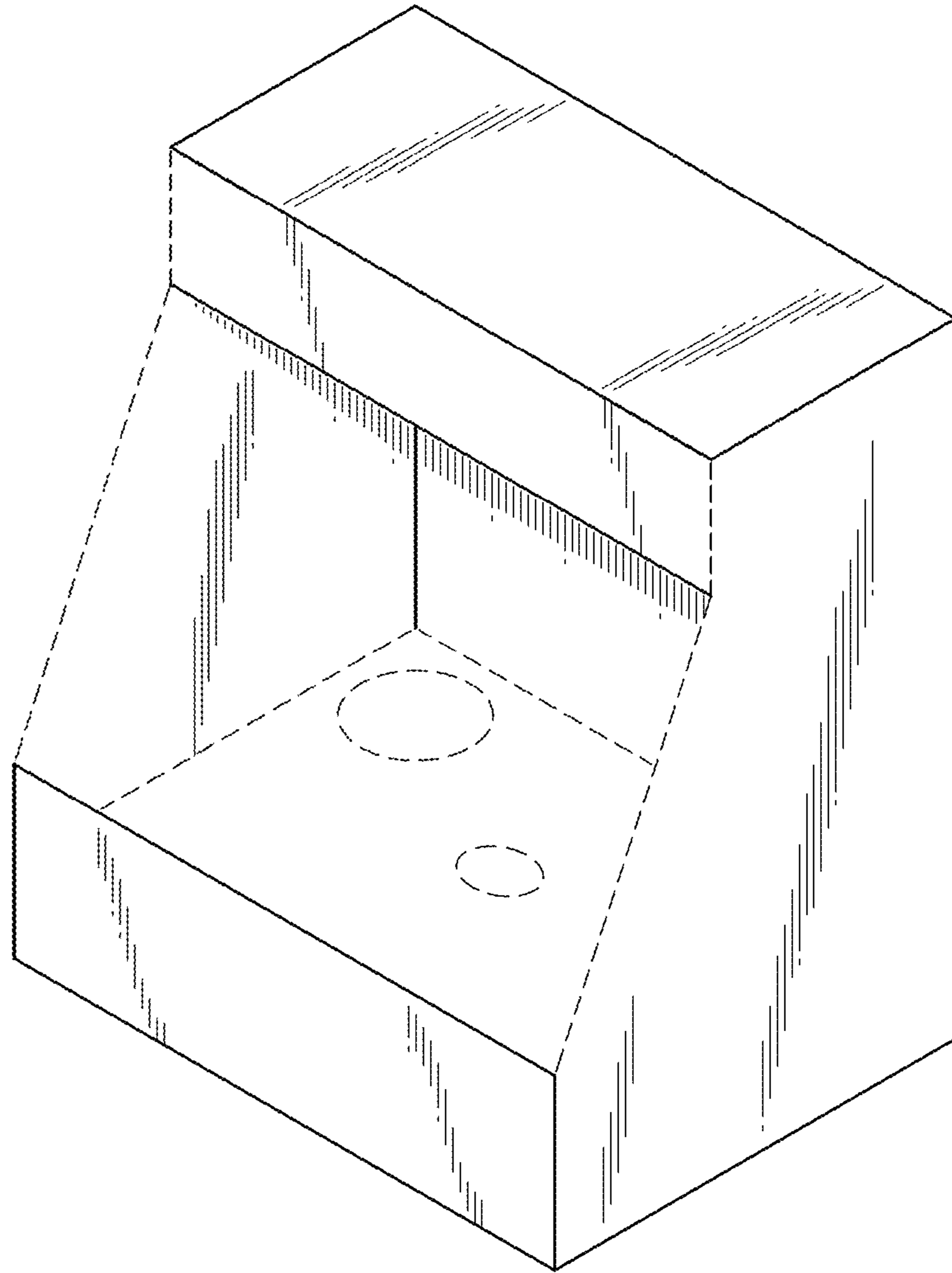


FIG. 1

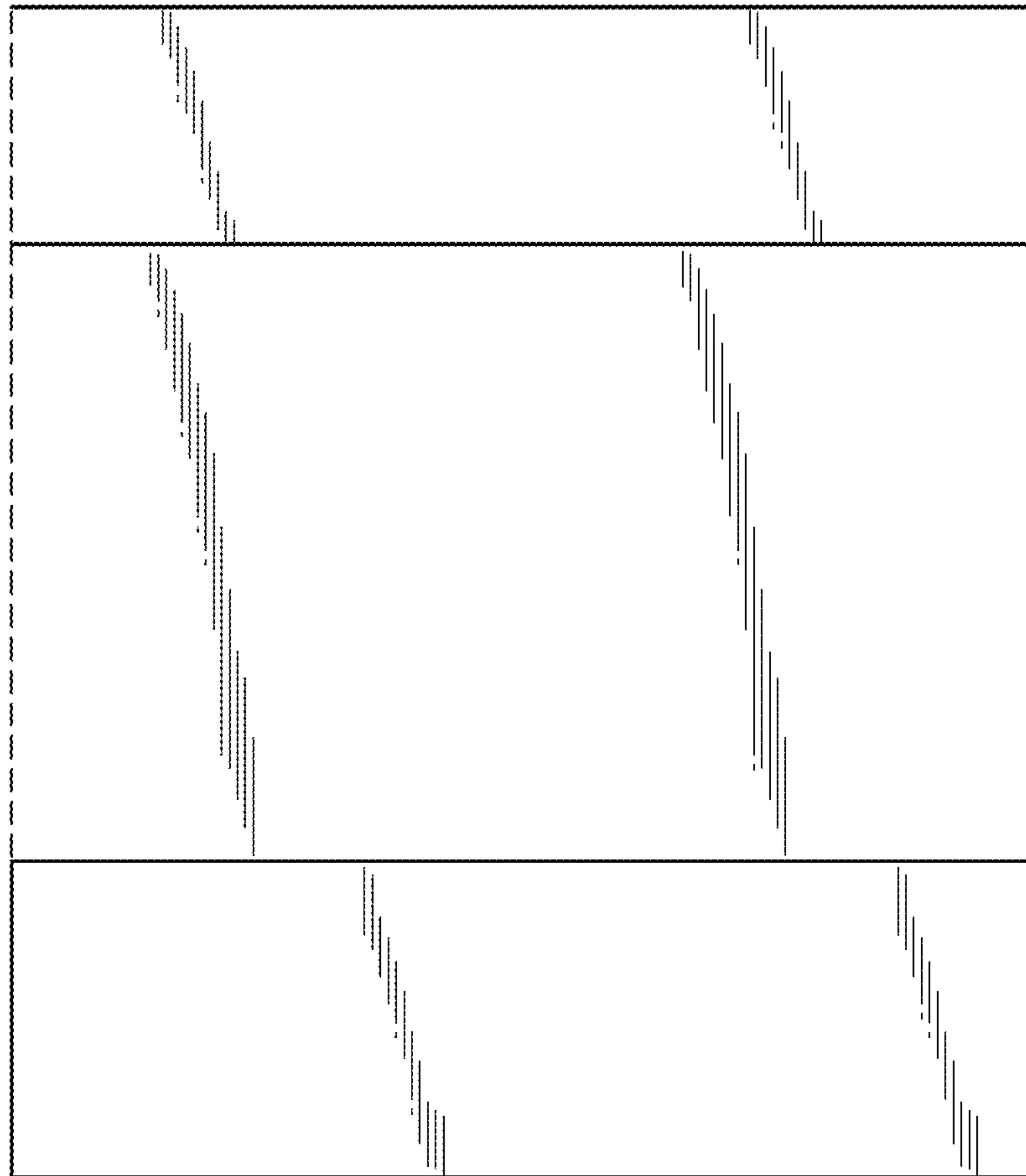


FIG. 2

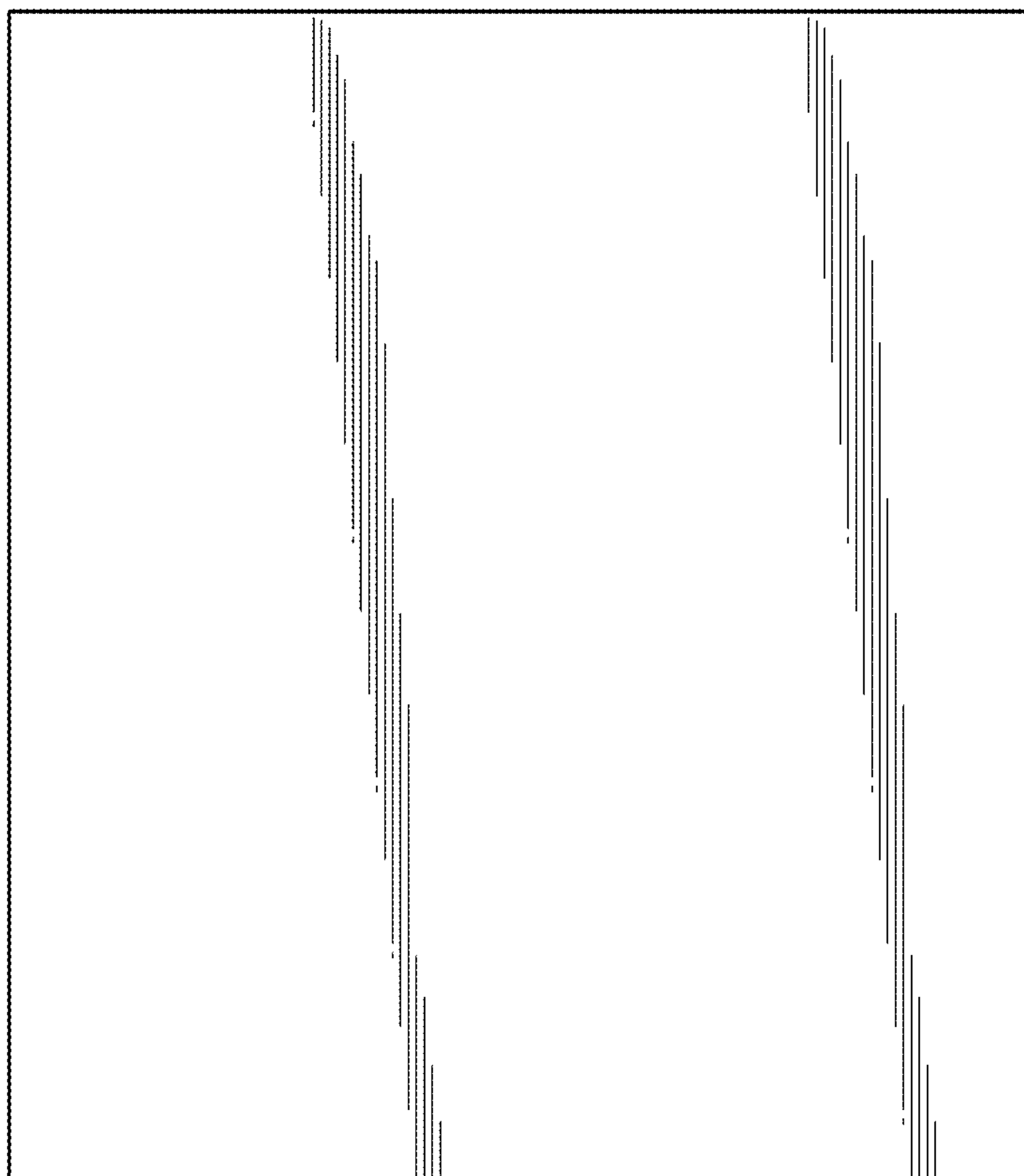


FIG. 3

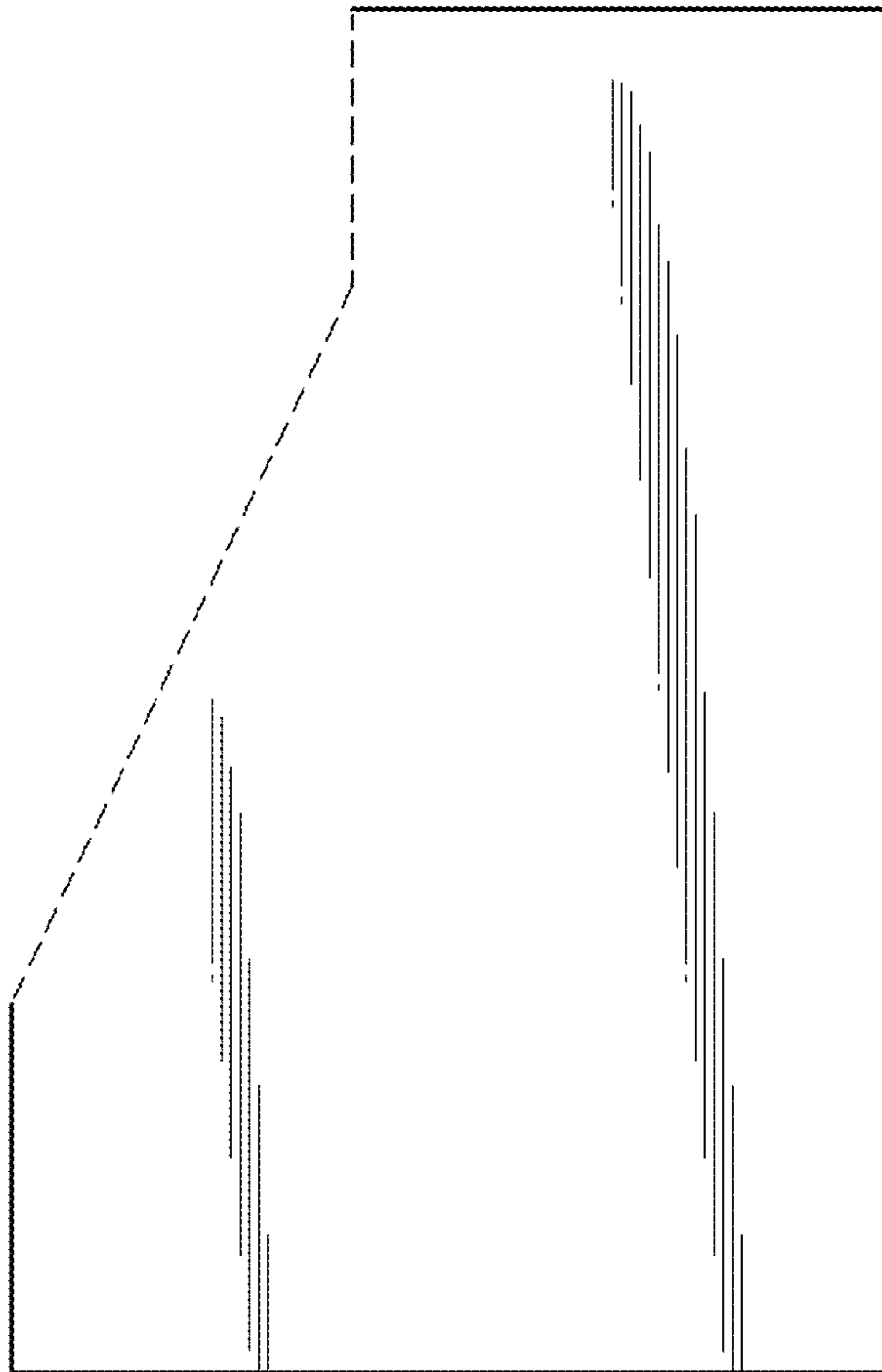


FIG. 4

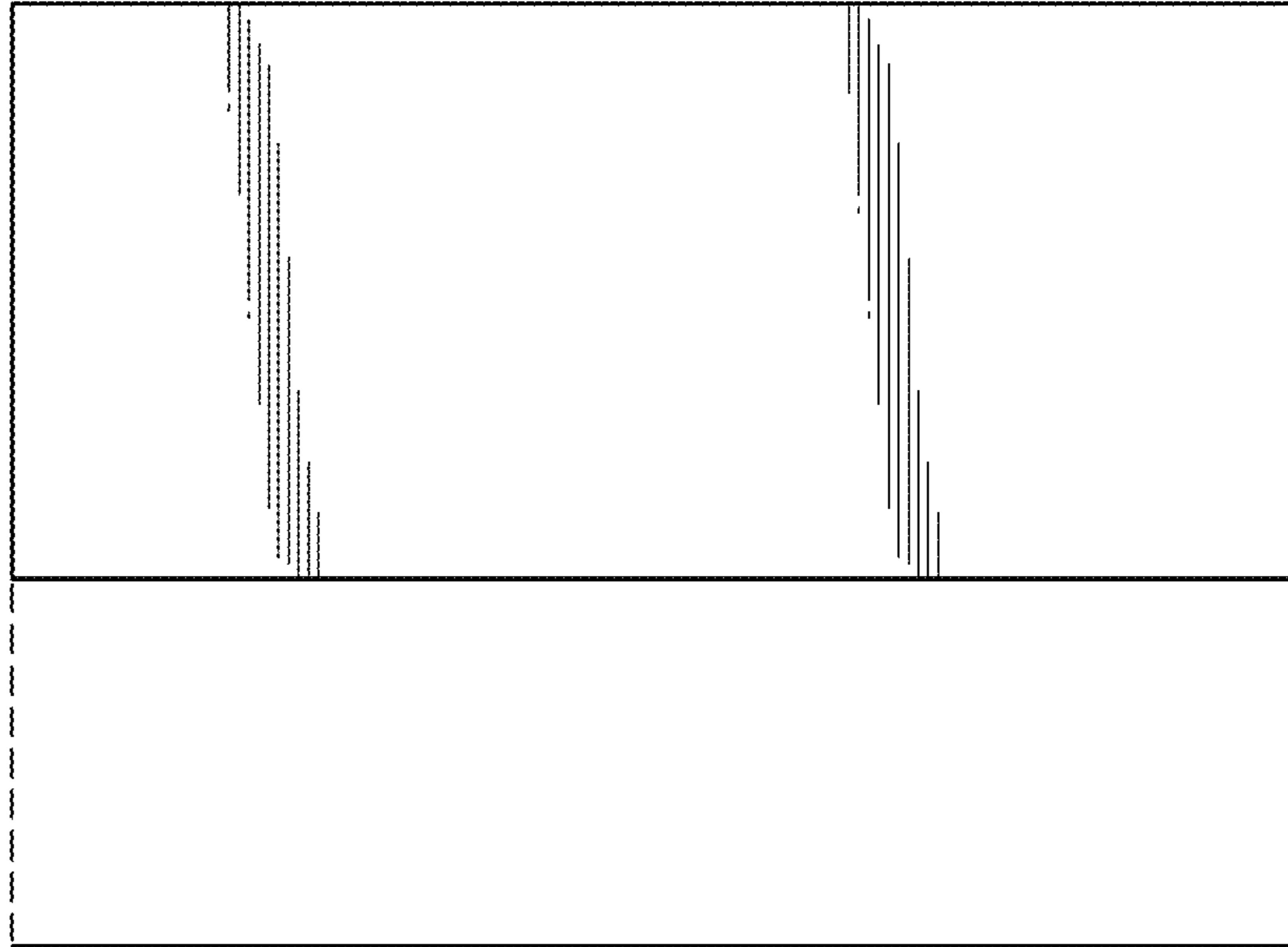


FIG. 5

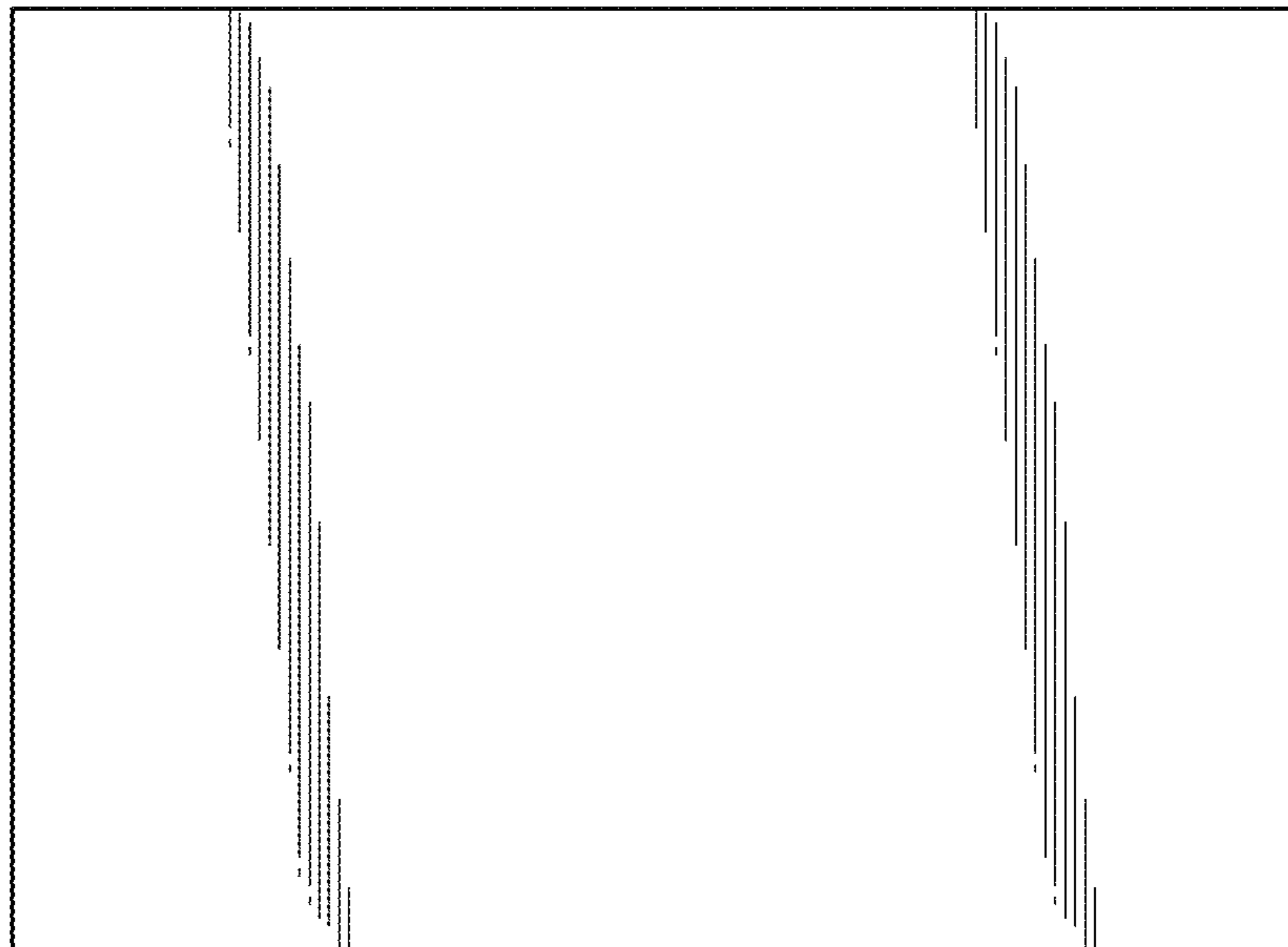


FIG. 6