



US00D783391S

(12) **United States Design Patent**
Chiang

(10) **Patent No.:** **US D783,391 S**

(45) **Date of Patent:** **** Apr. 11, 2017**

(54) **CLIP**

(71) Applicant: **DELTA ELECTRONICS, INC.**,
Taoyuan Hsien (TW)

(72) Inventor: **Tzu-Tsung Chiang**, Taoyuan Hsien
(TW)

(73) Assignee: **DELTA ELECTRONICS, INC.**,
Taoyuan Hsien

(**) Term: **14 Years**

(21) Appl. No.: **29/522,297**

(22) Filed: **Mar. 30, 2015**

(51) **LOC (10) Cl.** **08-08**

(52) **U.S. Cl.**
USPC **D8/396**

(58) **Field of Classification Search**
USPC D32/394-396
CPC .. F16M 13/02; F16M 13/005; F16M 2200/00;
H01Q 1/24; H01Q 1/244
See application file for complete search history.

(56) **References Cited**

U.S. PATENT DOCUMENTS

D266,737 S * 11/1982 D'Alo D24/129
4,715,575 A * 12/1987 Kamerer A45C 11/04
211/85.1
D312,403 S * 11/1990 Furutsu D8/394
D333,775 S * 3/1993 Krape D8/331

(Continued)

FOREIGN PATENT DOCUMENTS

FR 20120916-005 * 4/2012
GB 2062474 * 4/1997

OTHER PUBLICATIONS

Square D MG27124 : Circuit BRK (NRI Din Rail Clips, webiste
copyright 2016, <http://www.gordonelectricsupply.com/index-text-5710800-path-product-part-5710800-ds-dept-process-search>,
[site visited Sep. 8, 2016 8:46:11 PM].*

(Continued)

Primary Examiner — John Windmuller

Assistant Examiner — John R Yeh

(74) *Attorney, Agent, or Firm* — Kirton McConkie; Evan
R. Witt

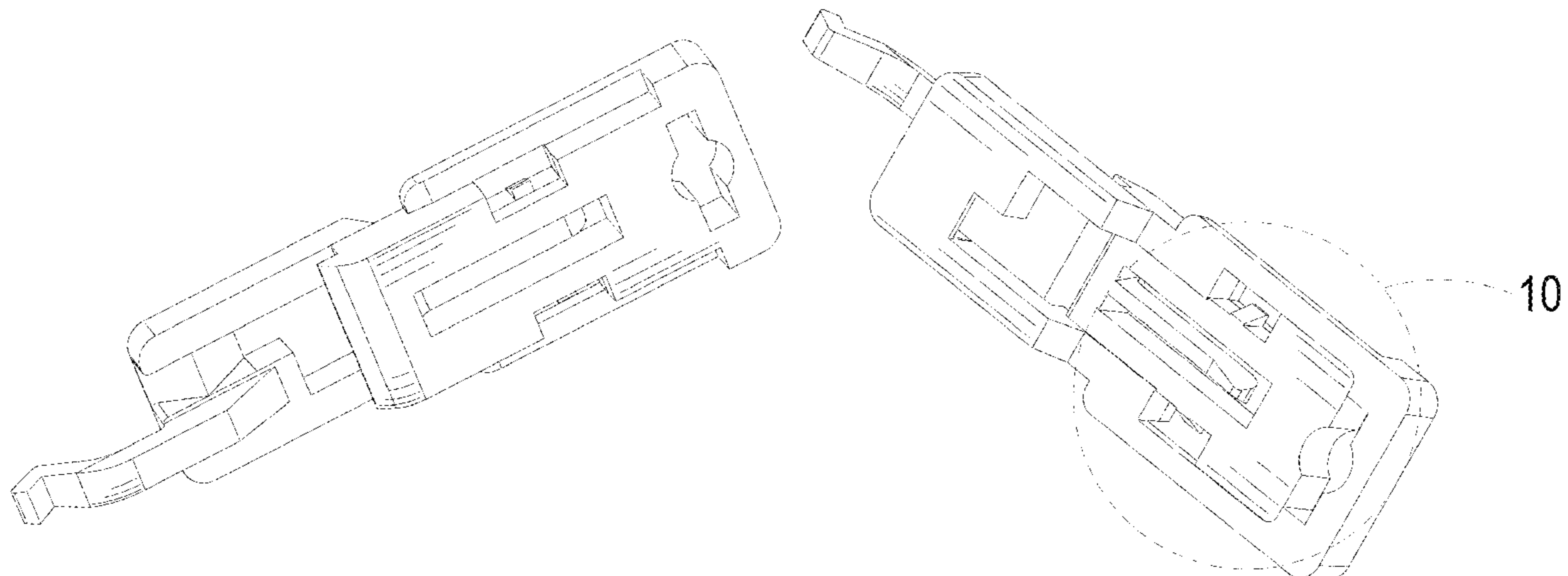
(57) **CLAIM**

The ornamental design for a clip, as shown and described.

DESCRIPTION

FIG. 1 is a front perspective view of a clip showing my new design;
FIG. 2 is another perspective view thereof;
FIG. 3 is a front elevational view thereof;
FIG. 4 is a rear elevational view thereof;
FIG. 5 is a left side elevational view thereof;
FIG. 6 is a right side elevational view thereof;
FIG. 7 is a top plan view thereof;
FIG. 8 is a bottom plan view thereof;
FIG. 9 is a perspective view of a clip of the present design, engaged with an exemplary casing of an electronic device and a DIN rail, which are shown in broken lines; and,
FIG. 10 is an enlarged view of a part of FIG. 2 thereof.
The casing of the electronic device and the DIN rail shown in broken lines are for illustrative purposes only and form no part of the claimed design. The dot-dash line represents boundary of a portion of the design that is magnified for better interpretation of the design and forms no part the claimed design.

1 Claim, 10 Drawing Sheets



(56)

References Cited

U.S. PATENT DOCUMENTS

5,470,168 A * 11/1995 Liao A63B 71/0672
403/368
5,779,205 A * 7/1998 Ching B60R 11/0241
248/205.8
D432,402 S * 10/2000 Hyp D8/383
D467,973 S * 12/2002 Rosen D19/65
D531,018 S * 10/2006 Jackson D8/395
7,219,866 B2 * 5/2007 Depay F16B 2/12
248/229.22
D675,087 S * 1/2013 Gary D8/395
D675,509 S * 2/2013 Gary D8/395
D756,764 S * 5/2016 Limber D8/395
D763,673 S * 8/2016 Moreau D8/395
2003/0011991 A1 * 1/2003 Peng H01L 23/4093
361/703
2003/0110595 A1 * 6/2003 Collins A45F 5/02
24/3.12
2008/0296448 A1 * 12/2008 Eshita F16M 11/10
248/176.3

2011/0035910 A1* 2/2011 Wu F16M 11/10
24/303
2014/0034794 A1* 2/2014 Carnevali F16M 11/041
248/205.3
2014/0097306 A1* 4/2014 Hale F16M 13/022
248/122.1
2014/0306847 A1* 10/2014 Wang H01Q 1/12
343/702
2016/0153608 A1* 6/2016 Hale F16M 13/022
248/274.1

OTHER PUBLICATIONS

Metal Din Rail Mounting Clips, website copyright 2016, <https://www.winford.com/products/dinm20.php>, [site visited Sep. 8, 2016 8:43:14 PM].*
Professional Security Camera System | Video Surveillance Systems, <https://www.surveillance-video.com/accessory-enc-1.html>, [site visited Sep. 8, 2016 8:31:25 PM].*

* cited by examiner

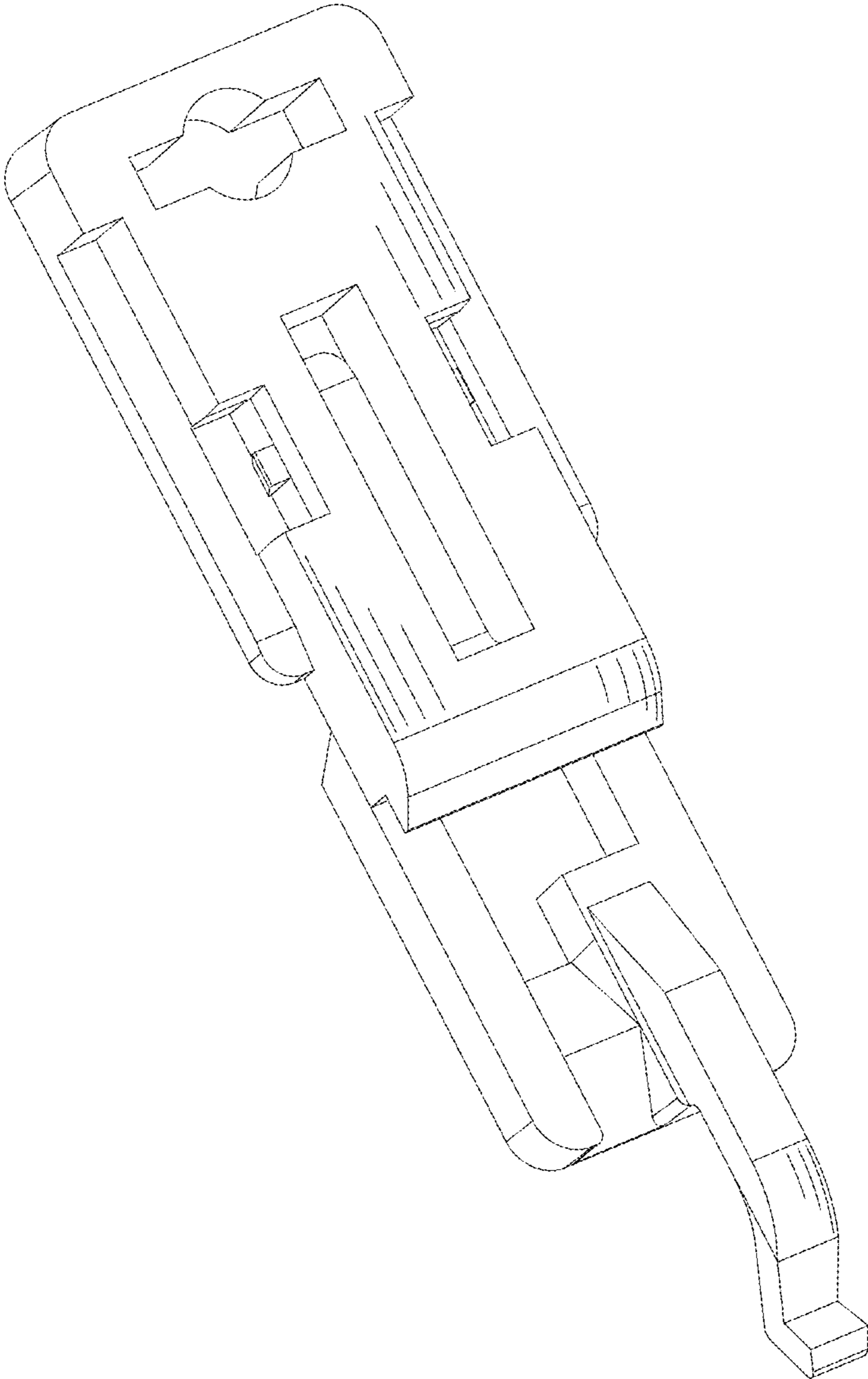


FIG. 1

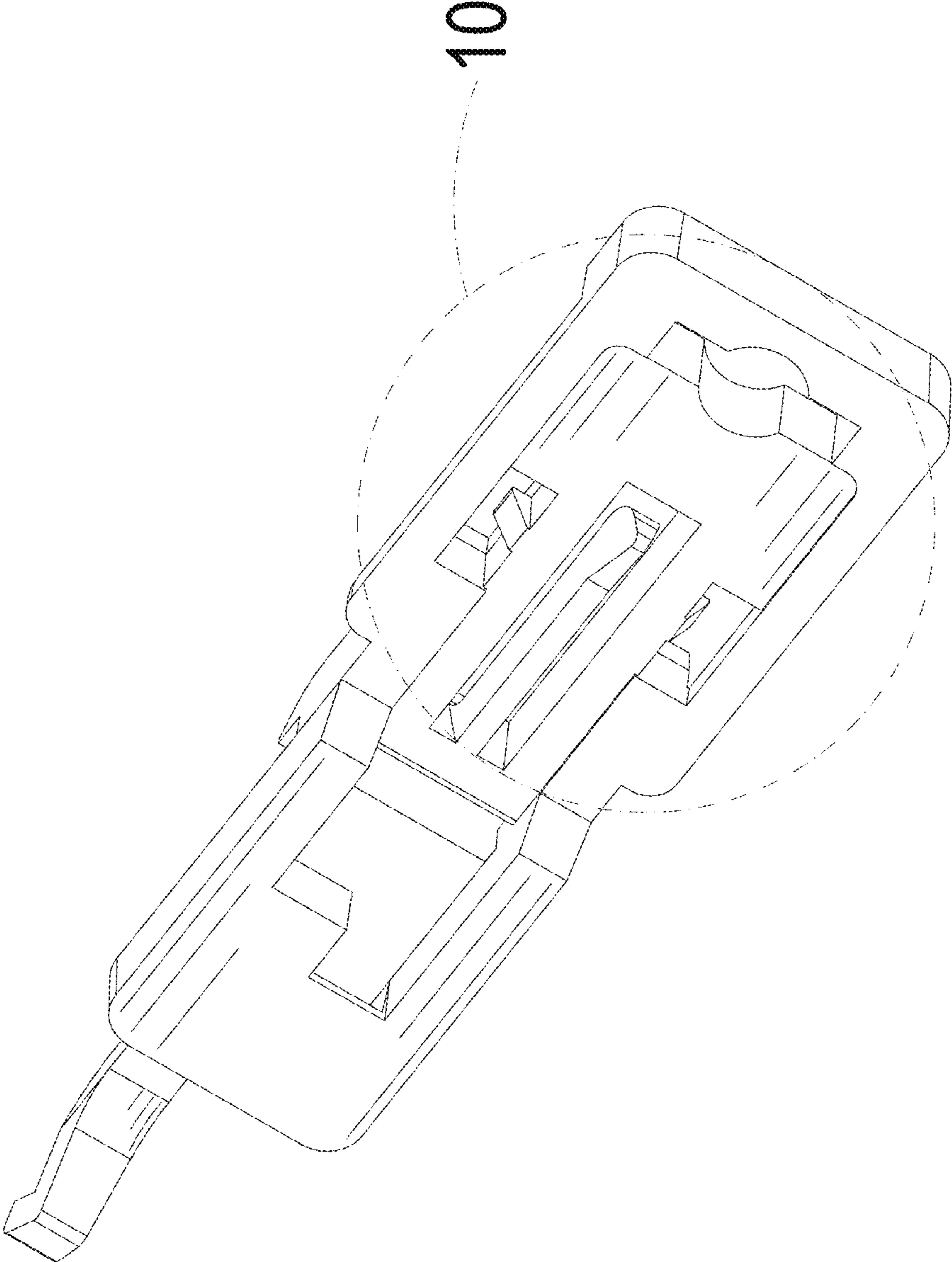


FIG. 2

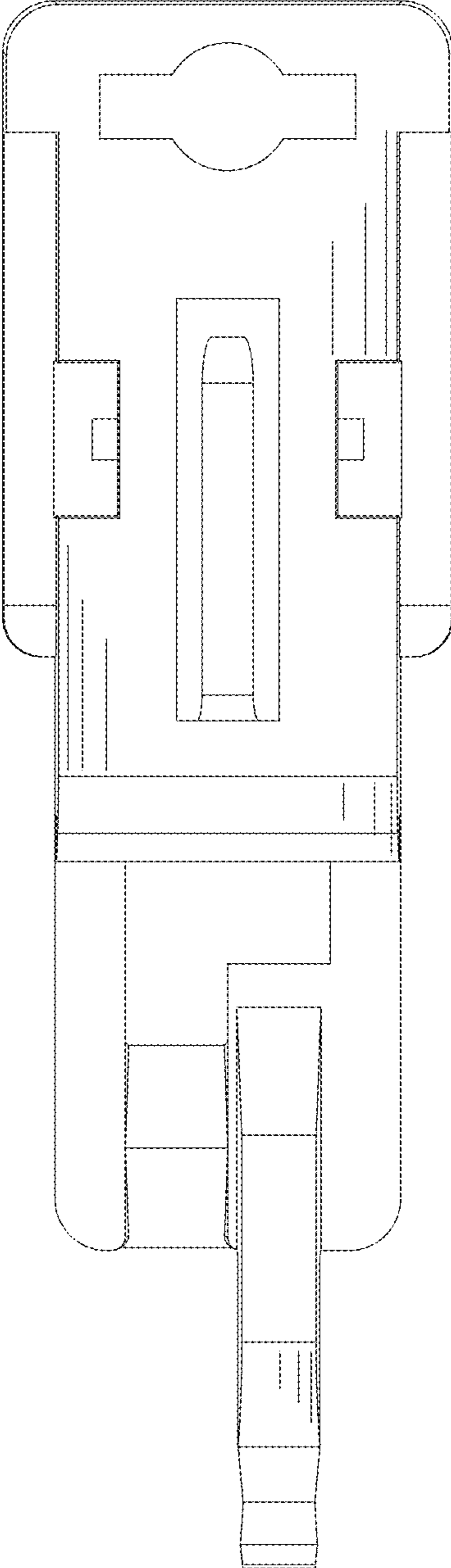


FIG. 3

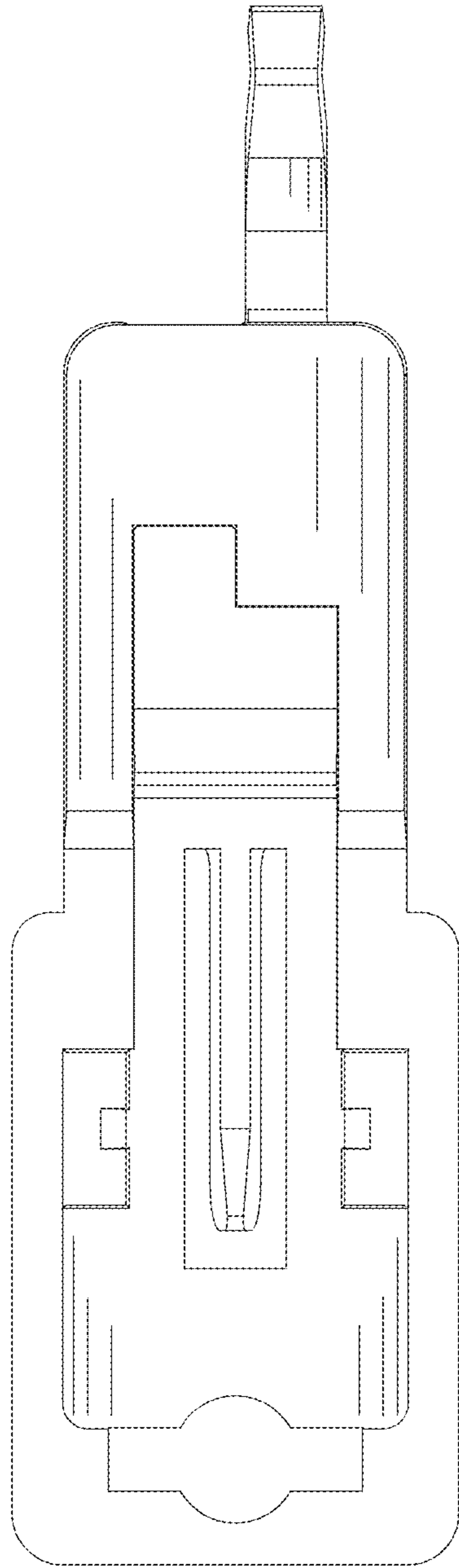


FIG. 4

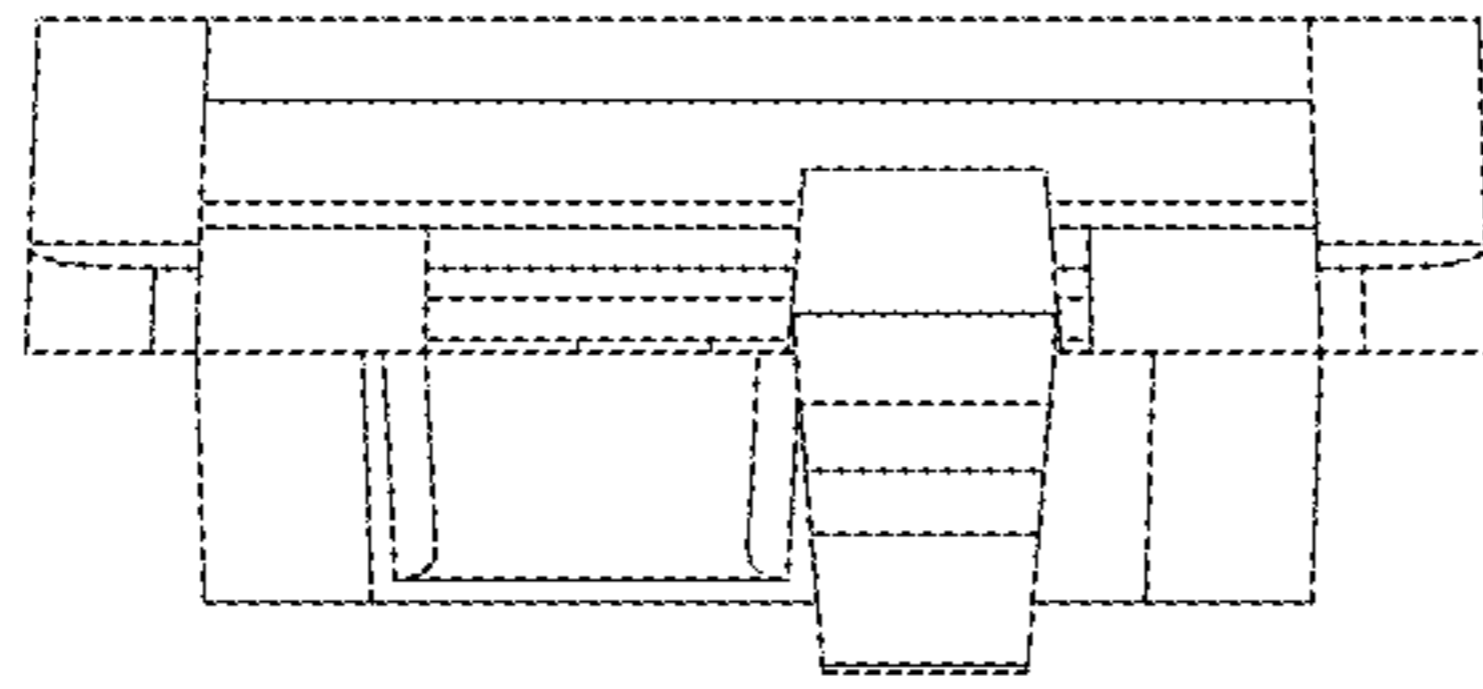


FIG. 5

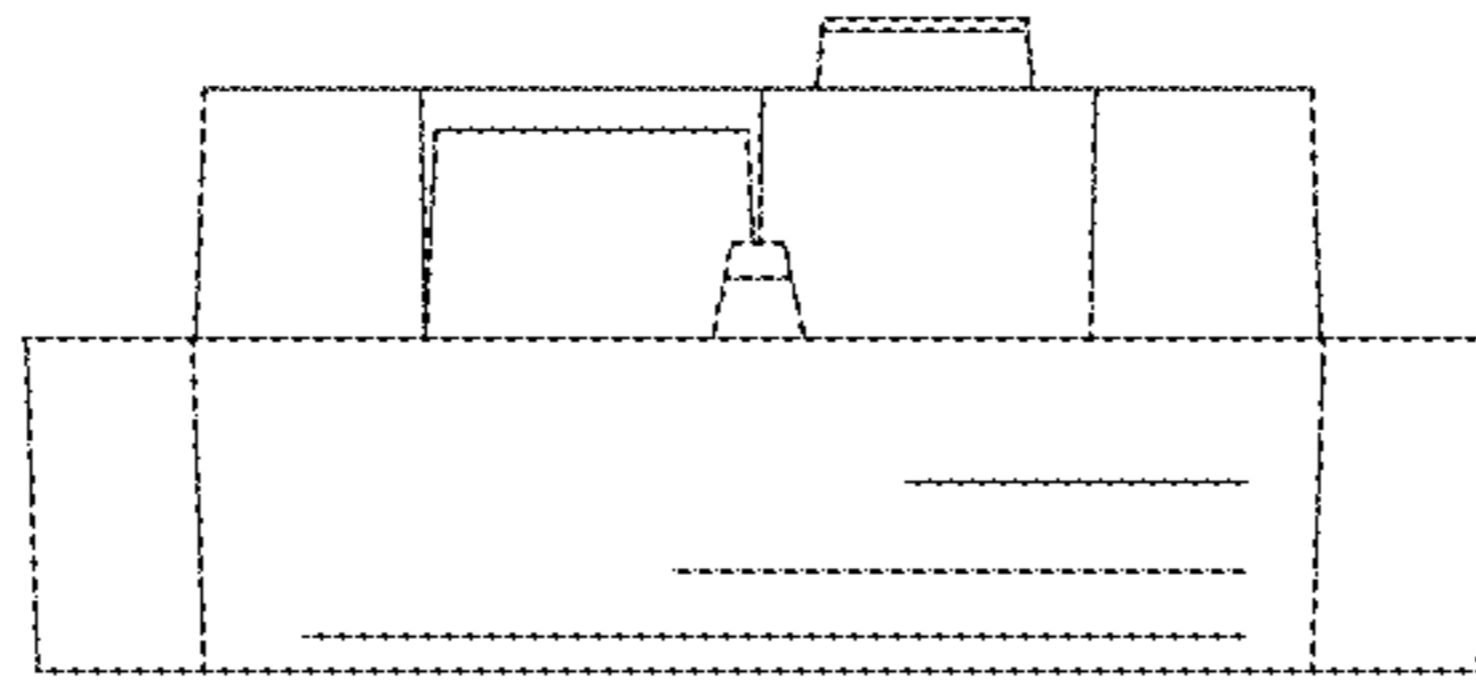


FIG. 6

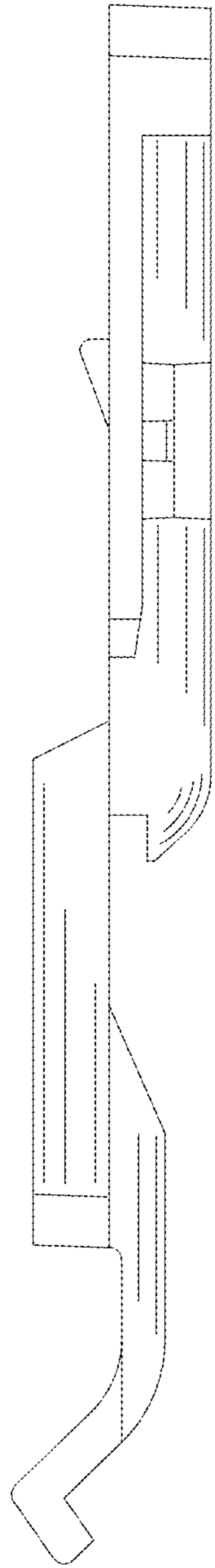


FIG. 7

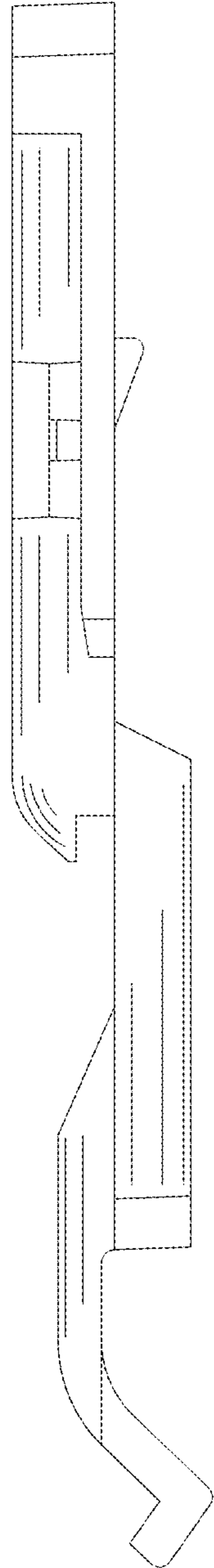


FIG. 8

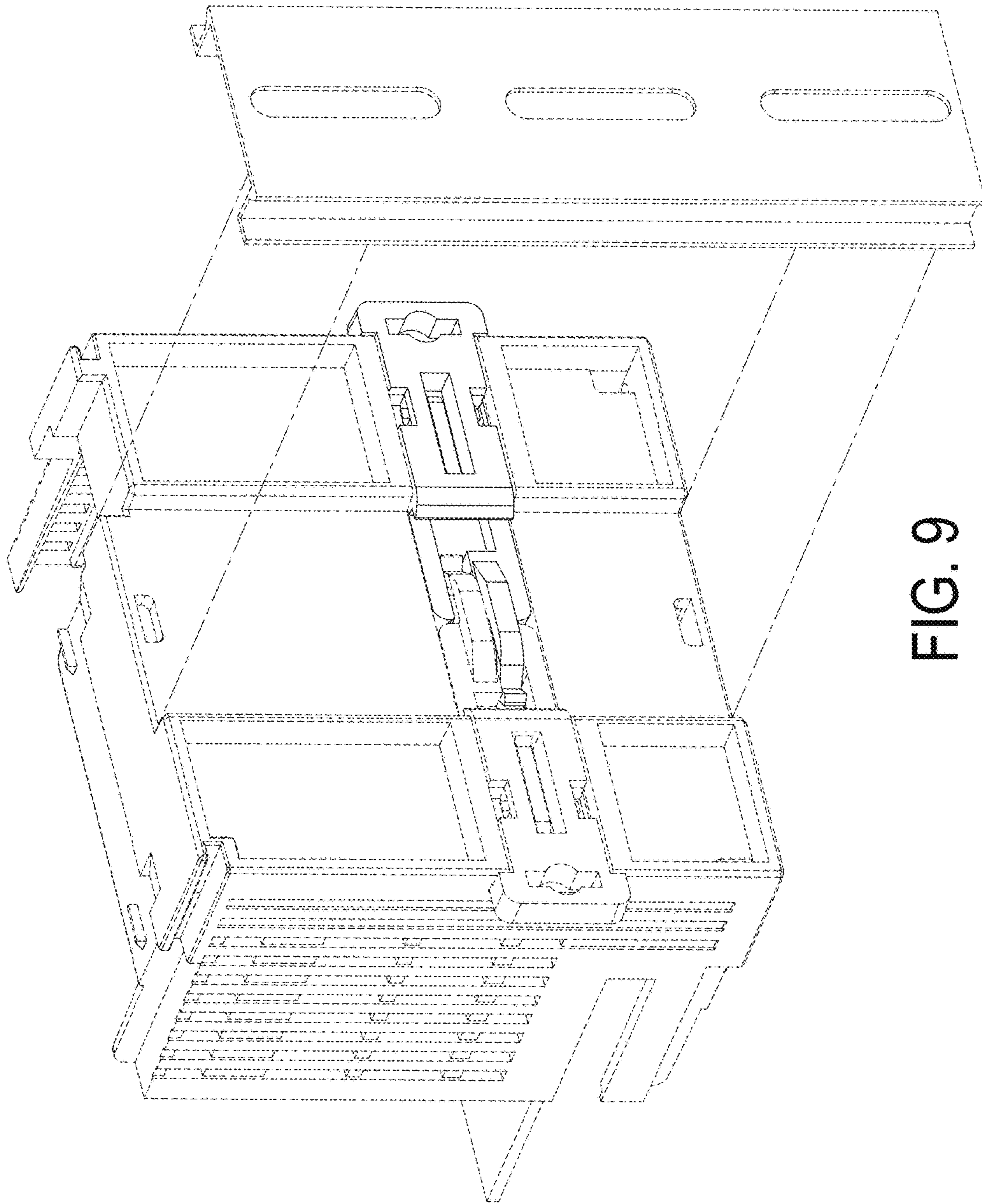


FIG. 9

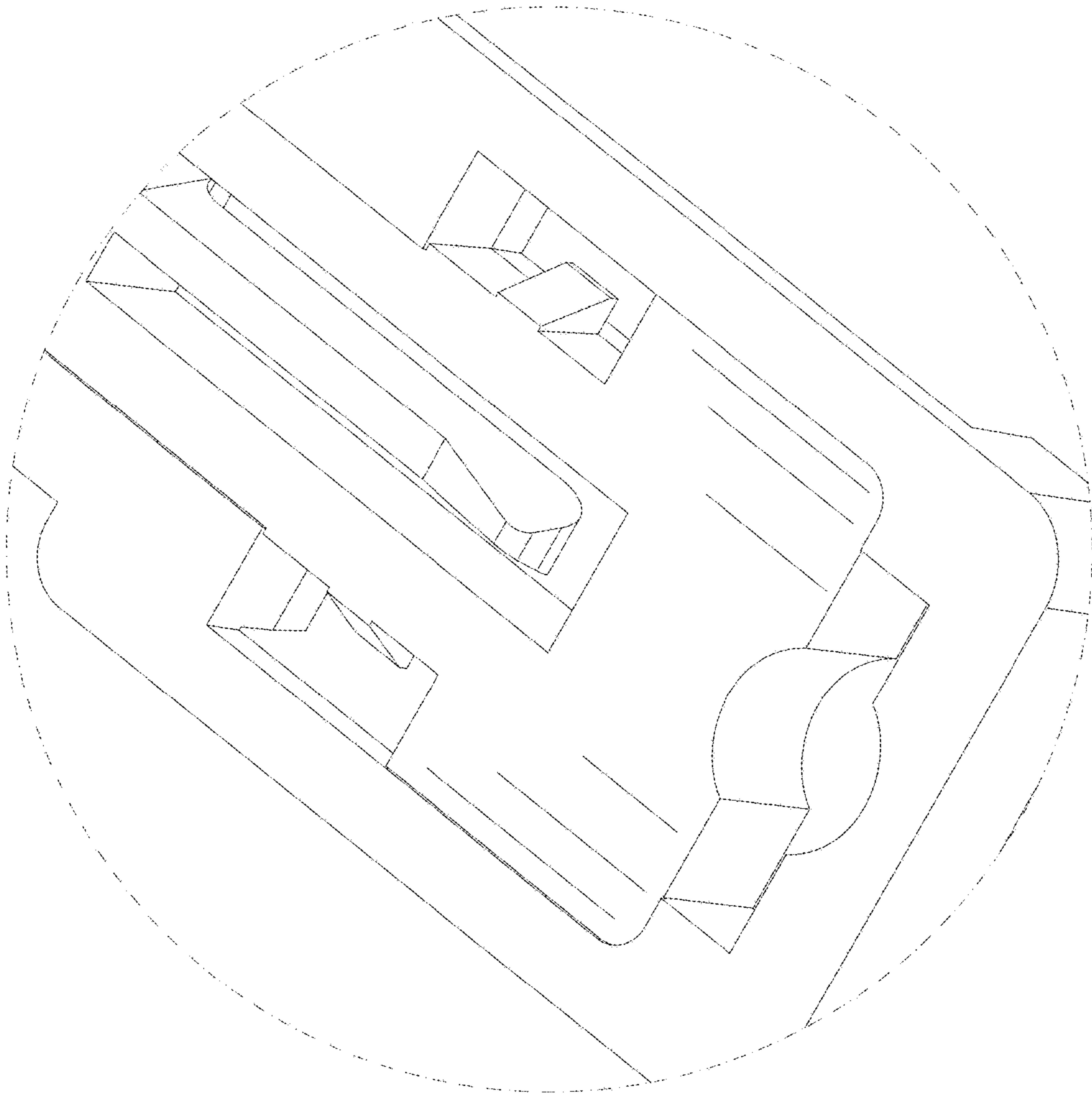


FIG. 10