



US00D783390S

(12) **United States Design Patent** (10) **Patent No.:** **US D783,390 S**
Nelson (45) **Date of Patent:** **** Apr. 11, 2017**

(54) **BRACKET**
(71) Applicant: **Board by Design**, Carbondale, CO
(US)
(72) Inventor: **Brad Reed Nelson**, Carbondale, CO
(US)
(73) Assignee: **Board by Design**, Carbondale, CO
(US)
(**) Term: **14 Years**

5,066,161 A * 11/1991 Pinney A47B 47/0008
403/172
D381,573 S * 7/1997 Sabounjian D8/382
D418,047 S * 12/1999 Hirano D8/382
D418,398 S * 1/2000 Hirano D8/382
6,247,869 B1 * 6/2001 Lichvar F16L 47/00
285/179.1
D477,527 S * 7/2003 Bradford D8/382
D592,492 S * 5/2009 Werschmidt D8/382
D606,387 S * 12/2009 Werschmidt D8/382
D630,305 S * 1/2011 Adams D23/259
D647,385 S * 10/2011 Watts D8/349
D720,608 S * 1/2015 Yamaguchi D8/382

(Continued)

(21) Appl. No.: **29/518,495**
(22) Filed: **Feb. 24, 2015**
(51) **LOC (10) Cl.** **08-08**
(52) **U.S. Cl.**
USPC **D8/382; D8/349**
(58) **Field of Classification Search**
USPC D8/349, 374, 382, 353, 366, 403;
D6/709.21, 708.24
CPC A47B 47/0008; A47B 47/0016; A47B
47/0058; A47B 47/0033; A47B 47/0041;
A47B 47/005; A47B 47/028; F16B 12/40;
F16B 12/44; F16B 2012/403; F16B
2012/406; F16B 7/0486; F16B 7/0426;
Y10T 403/42; Y10T 403/4602
See application file for complete search history.

Primary Examiner — Robin V Webster
Assistant Examiner — James Thorn, Sr.

(57) **CLAIM**

The ornamental design for a bracket, as shown and described.

DESCRIPTION

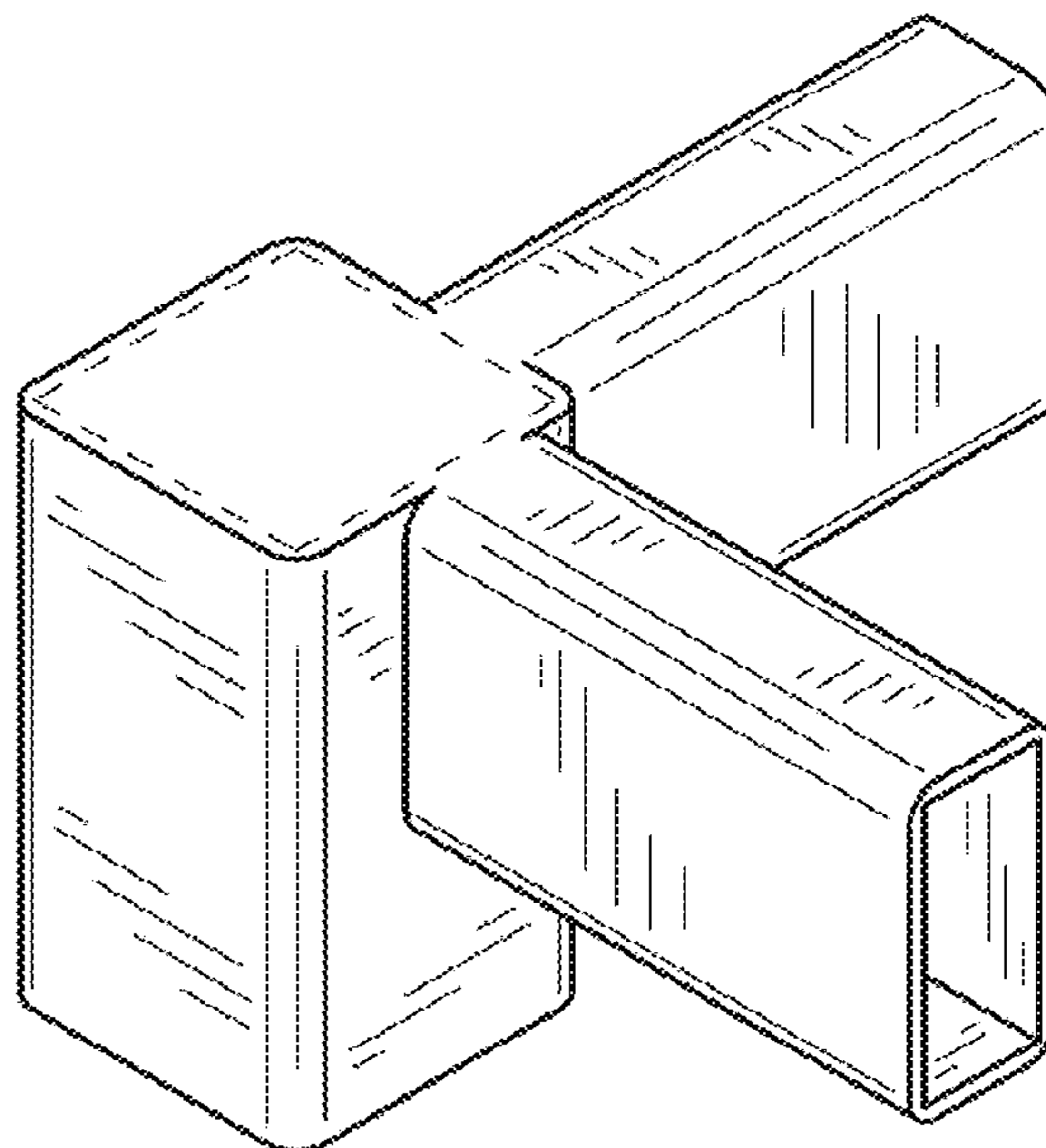
FIG. 1 is a top perspective view of a bracket showing my new design.
FIG. 2 is a bottom perspective view of a bracket of FIG. 1.
FIG. 3 is a front elevation view of the bracket of FIG. 1.
FIG. 4 is a rear elevation view of the bracket of FIG. 1.
FIG. 5 is a right elevation view of the bracket of FIG. 1.
FIG. 6 is a left elevation view of the bracket of FIG. 1.
FIG. 7 is a top plan view of the bracket of FIG. 1.
FIG. 8 is a bottom plan view of the bracket of FIG. 1; and,
FIG. 9 is a bottom perspective view of a bracket of FIG. 1 utilized in a table.
The bracket in FIGS. 1-9 includes broken lines that depict environmental or unclaimed portions of the bracket that form no part of the claimed design.

(56) **References Cited**

U.S. PATENT DOCUMENTS

D208,524 S * 9/1967 Graham D23/263
D264,049 S * 4/1982 Magner D8/382
4,368,998 A * 1/1983 Pestoor A47B 47/0008
403/171

1 Claim, 5 Drawing Sheets



(56)

References Cited

U.S. PATENT DOCUMENTS

D763,067 S *	8/2016	Monsees	D8/382
D763,670 S *	8/2016	Monsees	D8/382
2004/0091307 A1 *	5/2004	James	B21C 37/296
			403/188
2006/0029462 A1 *	2/2006	Patberg	B62D 23/005
			403/171
2008/0060314 A1 *	3/2008	Davies	E06B 3/9682
			52/656.4

* cited by examiner

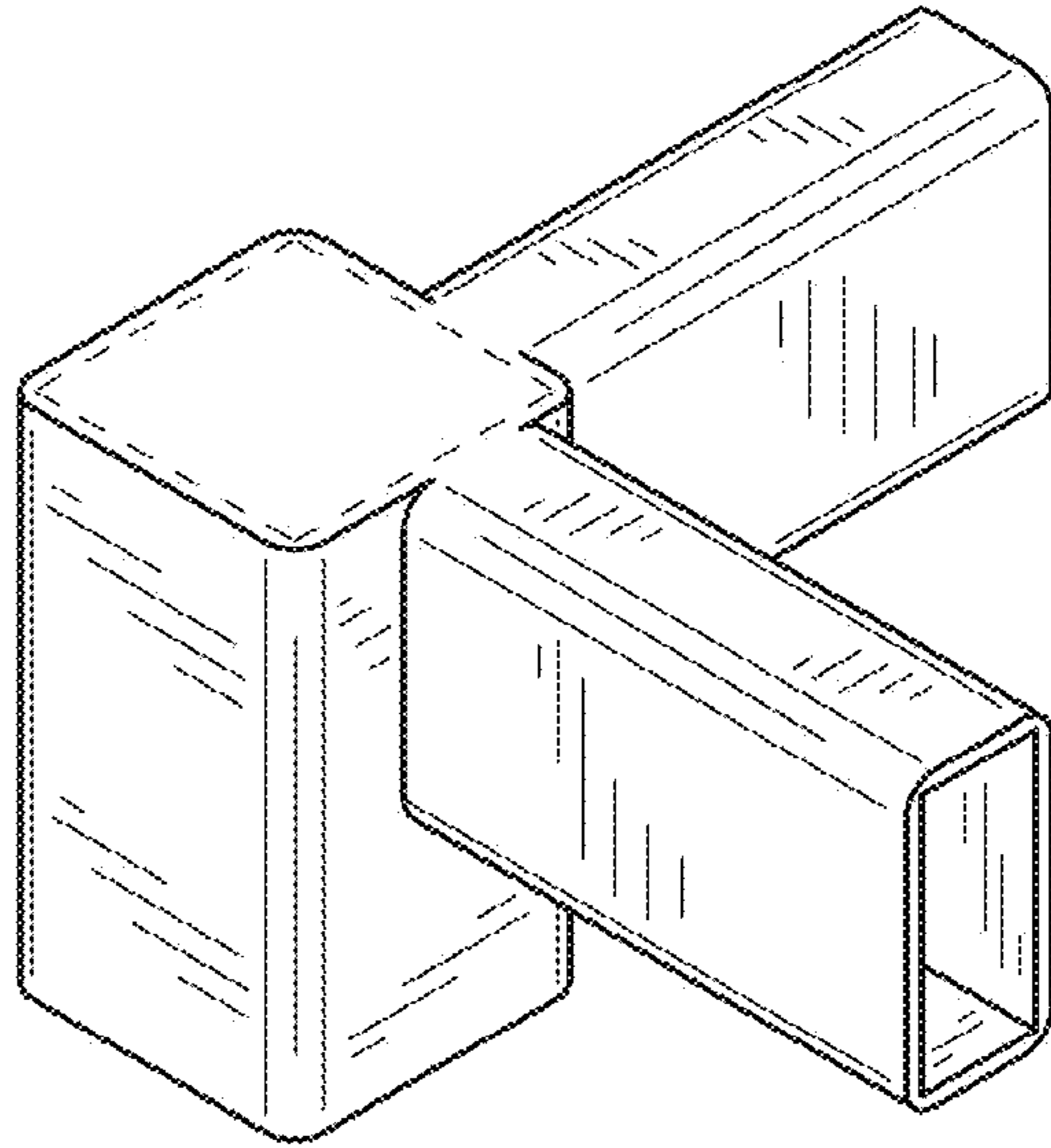


FIG. 1

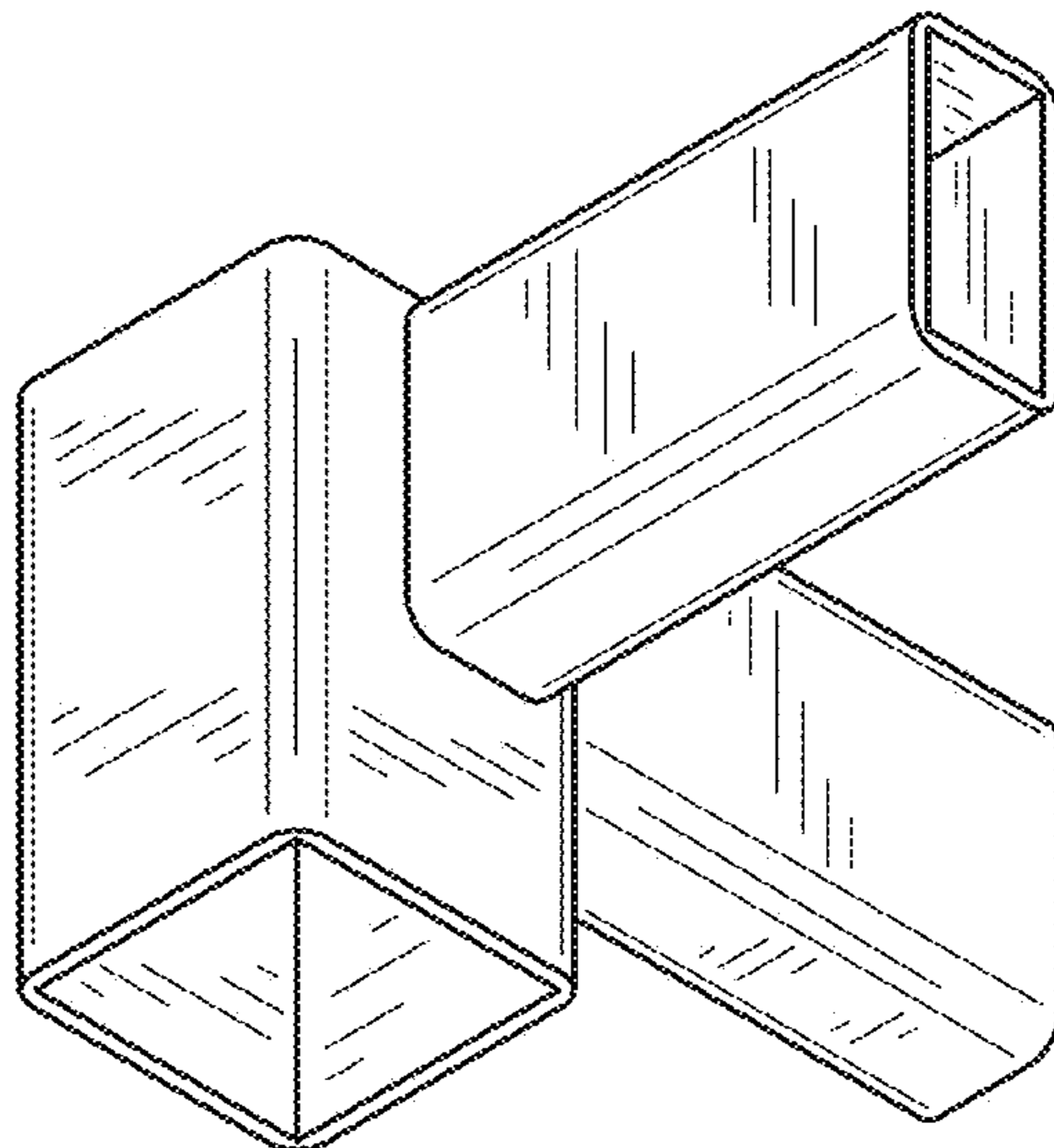


FIG. 2

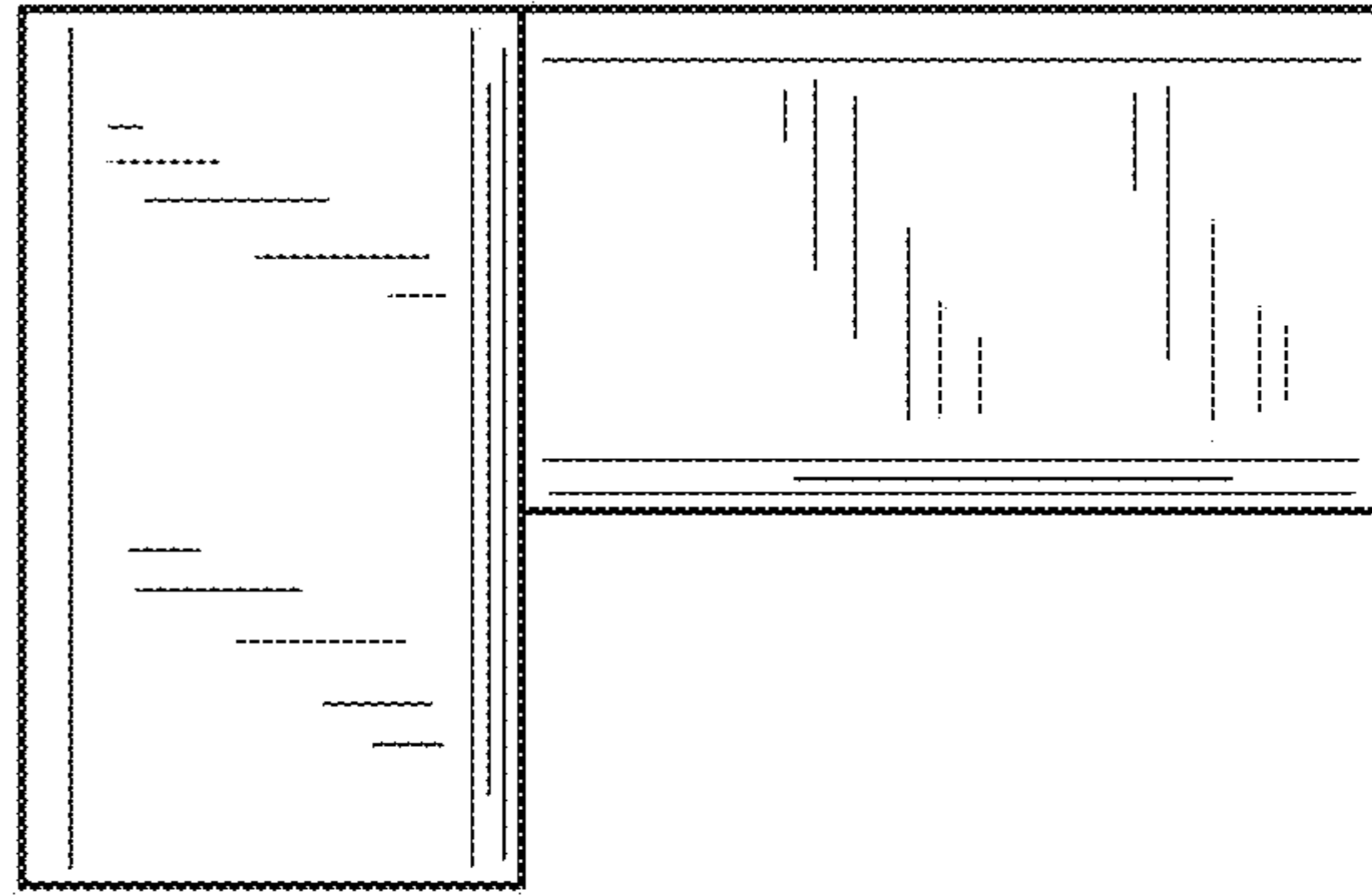


FIG. 3

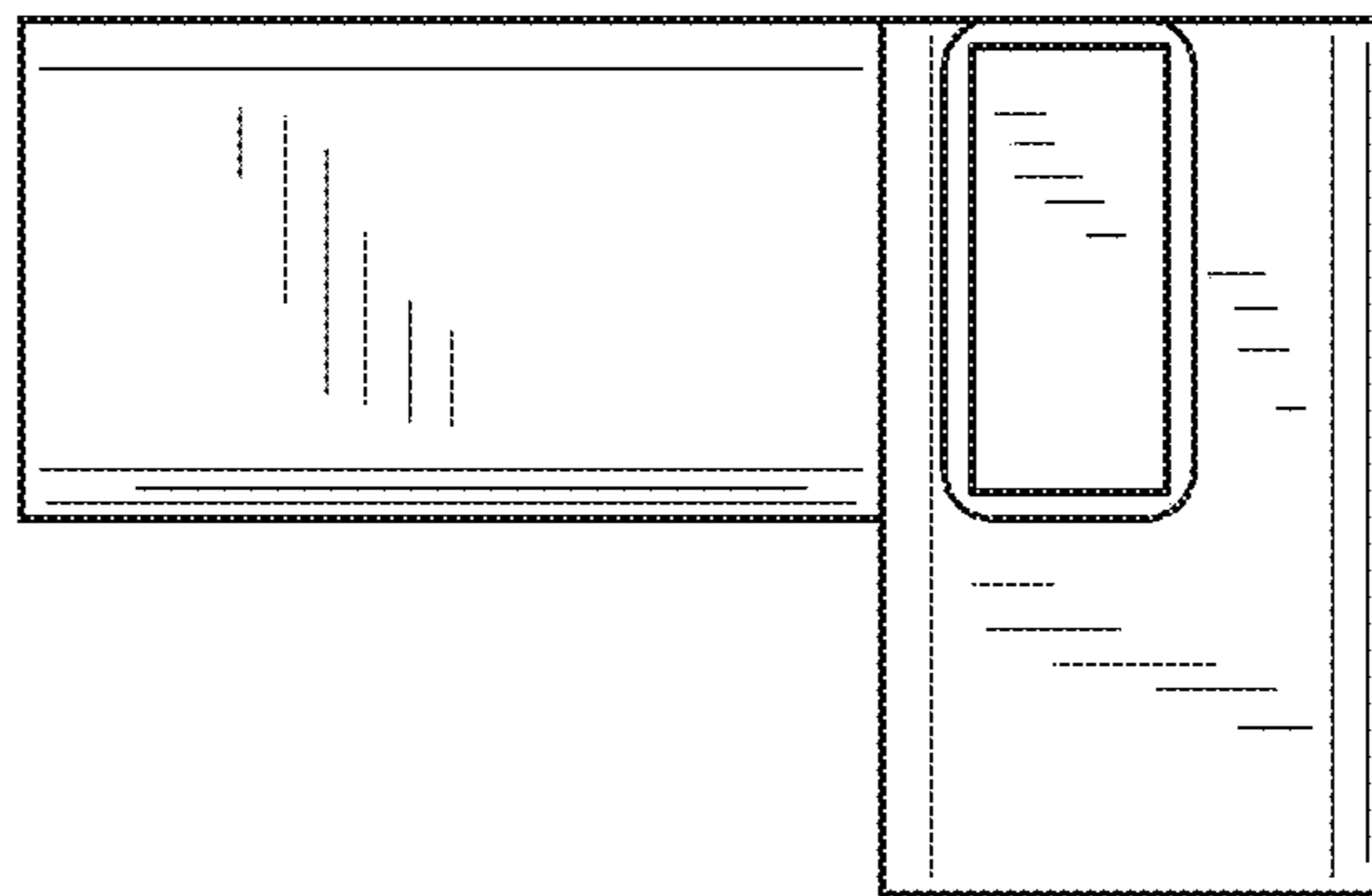


FIG. 4

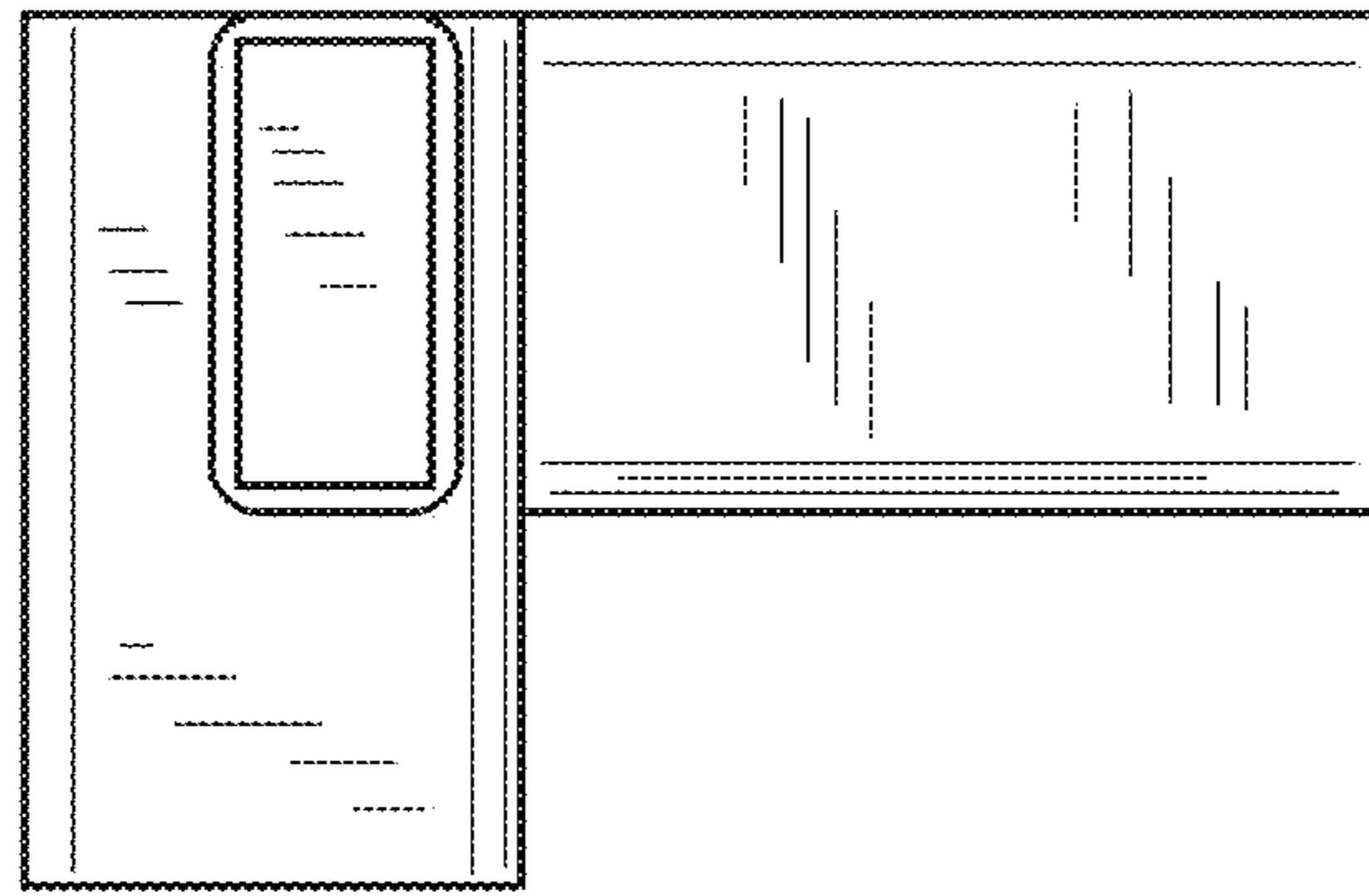


FIG. 5

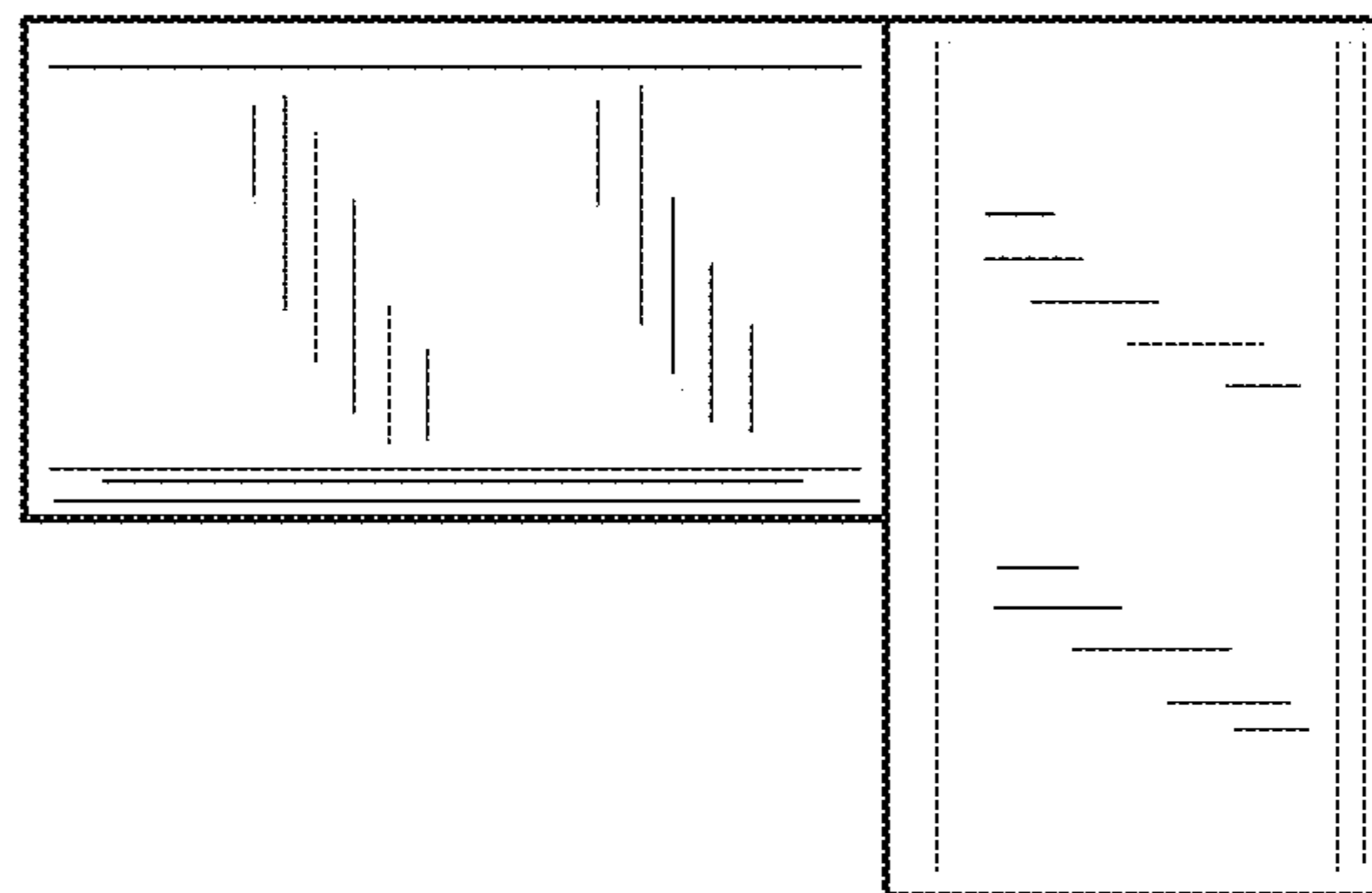


FIG. 6

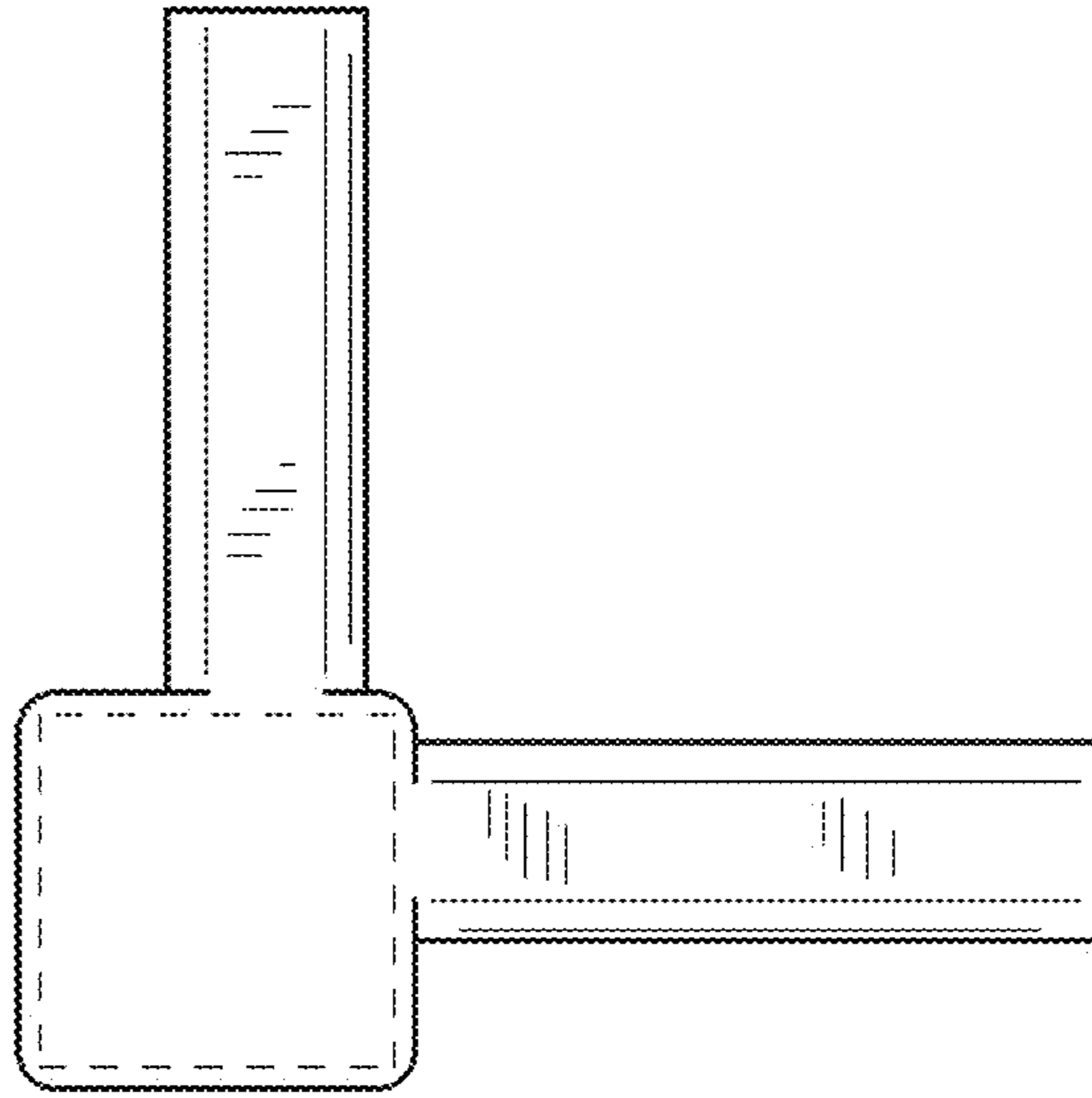


FIG. 7

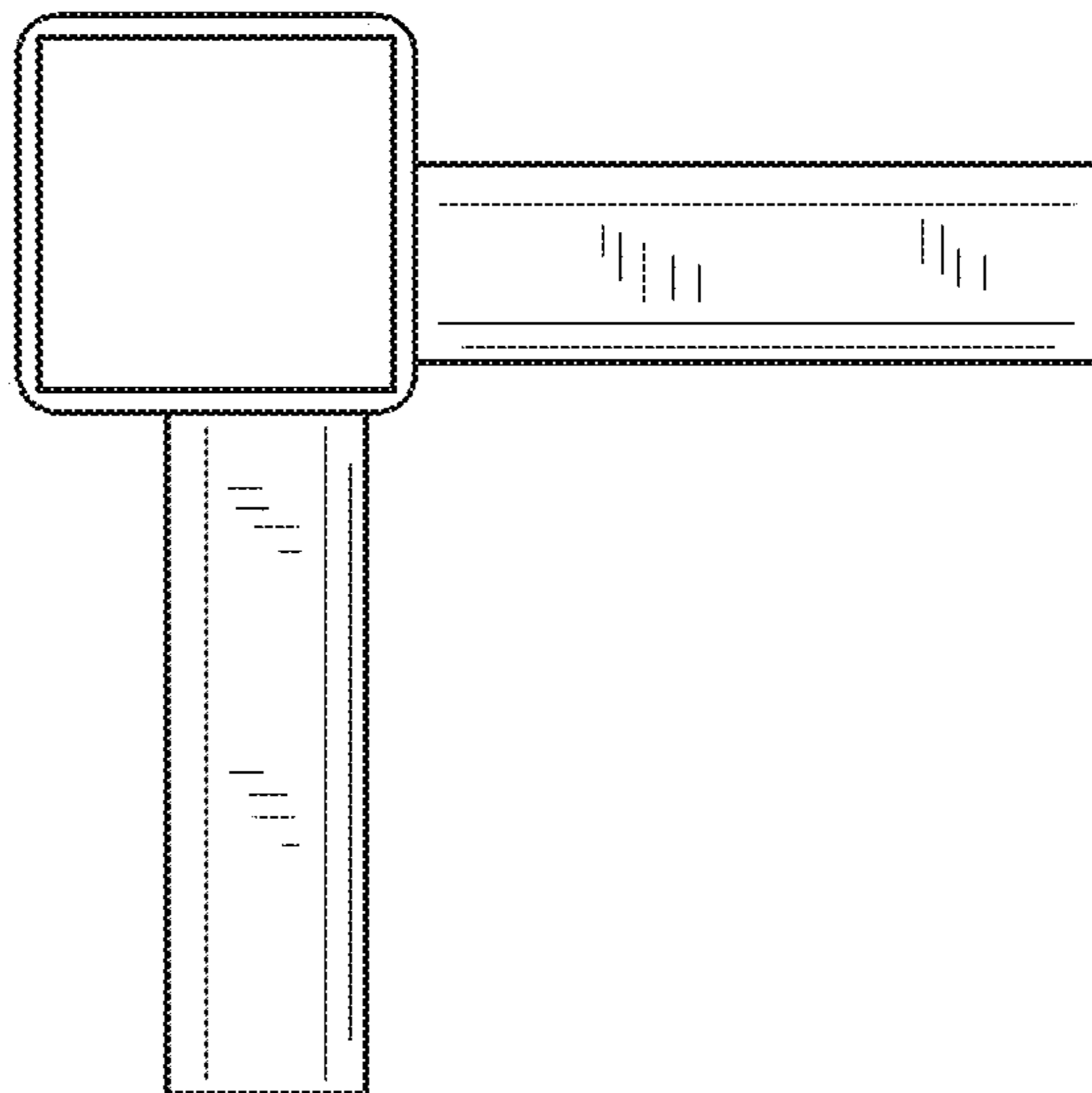


FIG. 8

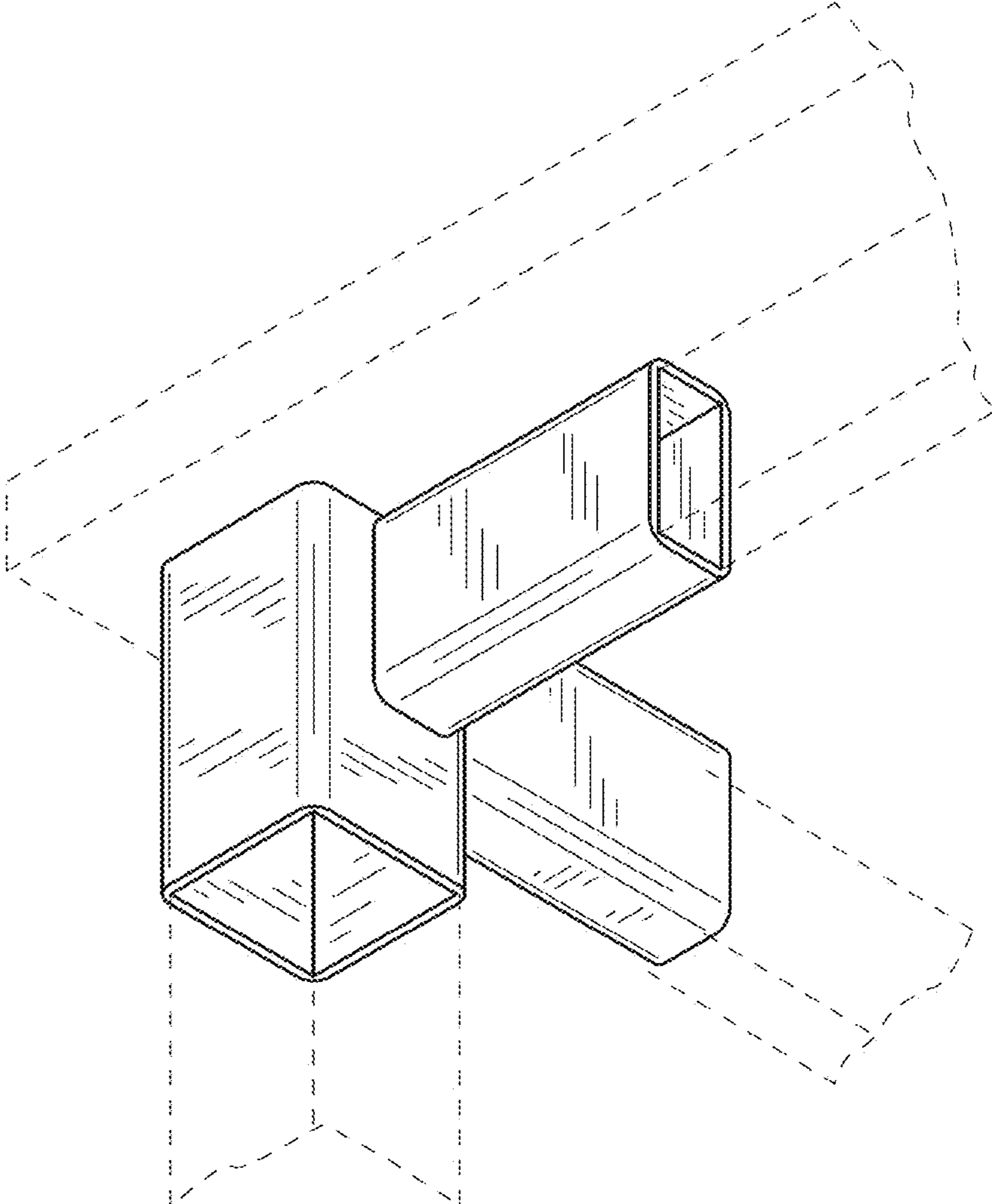


FIG. 9