



US00D783389S

(12) **United States Design Patent** (10) **Patent No.:** **US D783,389 S**
Livengood et al. (45) **Date of Patent:** **** Apr. 11, 2017**

(54) **MOUNTING PLATE FOR A PATIENT SUPPORT CART**

4,248,445 A 2/1981 Vassar
D261,680 S * 11/1981 Hall D24/128
4,302,025 A 11/1981 Waddell et al.

(Continued)

(71) Applicant: **LGMS, LLC**, Fort Collins, CO (US)

(72) Inventors: **Joseph C. Livengood**, Aspen, CO (US); **Barry T. Phillips**, Fort Collins, CO (US)

FOREIGN PATENT DOCUMENTS

CA 2149336 8/1994
GB 2312055 10/1997

(Continued)

(73) Assignee: **LGMS, LLC**, Fort Collins, CO (US)

(**) Term: **14 Years**

OTHER PUBLICATIONS

U.S. Appl. No. 29/520,286, filed Mar. 12, 2015, Livengood et al.

(Continued)

(21) Appl. No.: **29/520,269**

(22) Filed: **Mar. 12, 2015**

Primary Examiner — Robert M Spear

Assistant Examiner — Eliza Bennett-Hattan

(51) **LOC (10) Cl.** **08-05**

(74) *Attorney, Agent, or Firm* — Sheridan Ross P.C.

(52) **U.S. Cl.**

USPC **D8/373**; D24/128

(57) **CLAIM**

(58) **Field of Classification Search**

USPC D8/355, 354, 363, 380, 381, 373, 375;
D24/128; D6/384, 406.1

The ornamental design for a mounting plate for a patient support cart, as shown and described.

CPC A61G 7/0503; A61G 2007/0514; A61B 50/13; A61M 5/1418; A47B 2031/002

See application file for complete search history.

DESCRIPTION

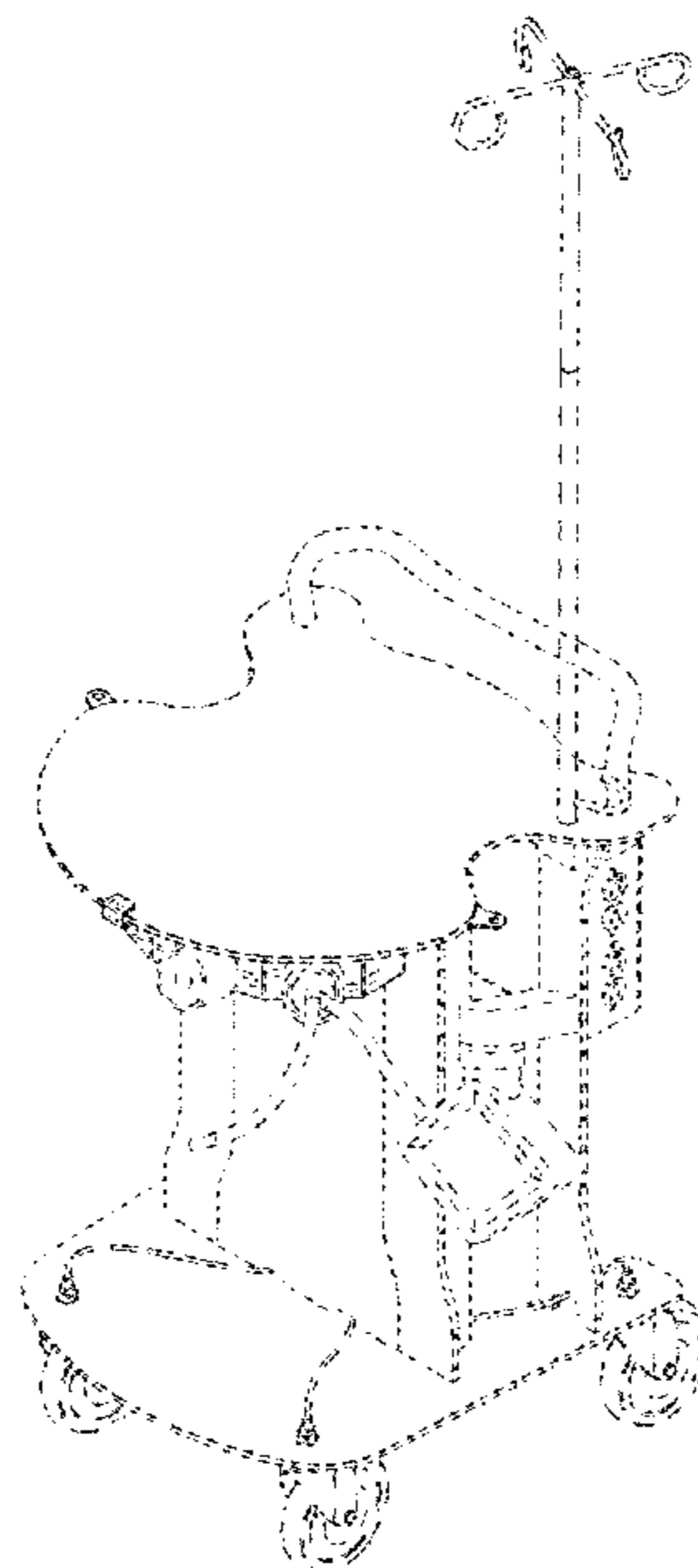
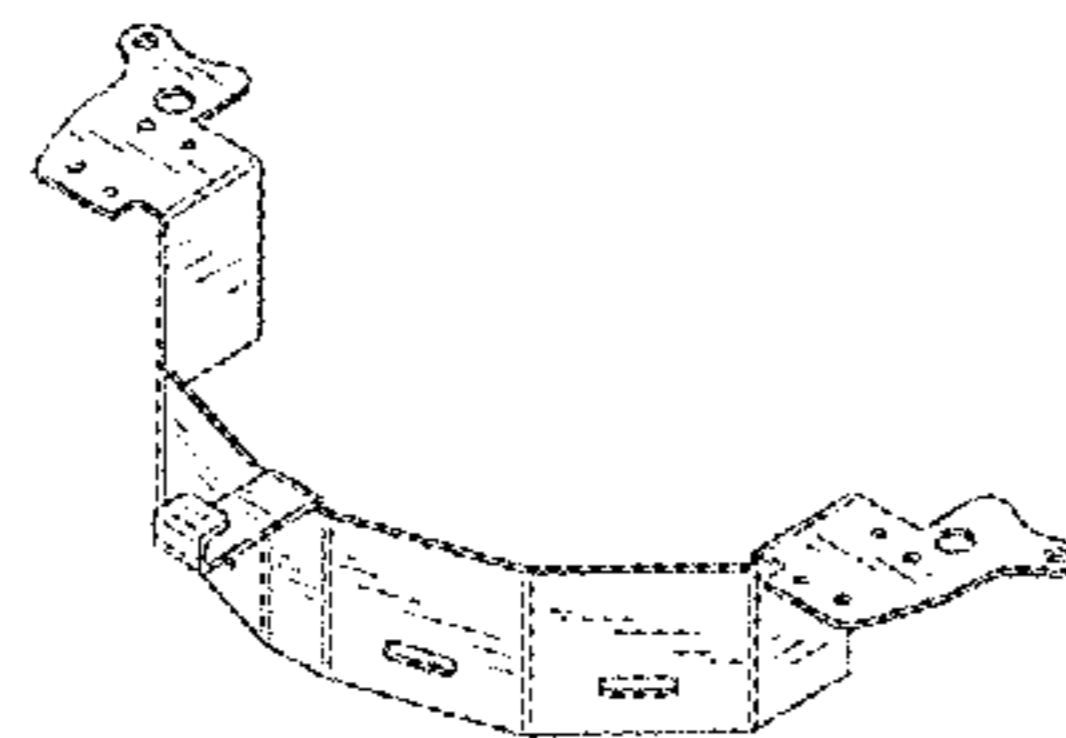
(56) **References Cited**

U.S. PATENT DOCUMENTS

1,793,353 A 2/1931 Benson
2,712,366 A 7/1951 Skupas
2,783,055 A 2/1957 Michaud
3,441,974 A 5/1969 Dean
3,563,563 A 2/1971 Radovic
D222,865 S * 1/1972 Coy D8/373
3,831,960 A 8/1974 Walton
3,951,426 A 4/1976 Shaffer et al.
4,093,900 A 6/1978 Plunkett
4,128,144 A 12/1978 Vassar

FIG. 1 is a front perspective view of a mounting plate for a patient support cart showing my new design; FIG. 2 is a front elevation view thereof; FIG. 3 is a back elevation view thereof; FIG. 4 is a right side elevation view thereof; FIG. 5 is a left side elevation view thereof; FIG. 6 is a top plan view thereof; FIG. 7 is a bottom plan view thereof; and, FIG. 8 is a front perspective view thereof, attached to a patient support cart, and showing attached blood pumps and an oxygenator as environment. The dashed lines shown in the figures represent environment and form no part of the claimed design.

1 Claim, 5 Drawing Sheets



(56)

References Cited

U.S. PATENT DOCUMENTS

D262,237 S * 12/1981 Stauber D24/128
 4,385,414 A 5/1983 Damico
 4,511,157 A 4/1985 Wilt
 4,515,235 A 5/1985 Yamamoto et al.
 4,832,294 A 5/1989 Eidem
 4,970,900 A 11/1990 Shepherd et al.
 D313,169 S * 12/1990 Scott D8/373
 4,998,320 A 3/1991 Lange
 5,083,625 A 1/1992 Bleicher
 5,083,807 A 1/1992 Bobb et al.
 5,094,418 A 3/1992 McBarnes, Jr.
 5,112,019 A 5/1992 Metzler et al.
 5,115,539 A 5/1992 Lee
 5,117,521 A 6/1992 Foster et al.
 5,118,127 A 6/1992 Partington
 5,205,381 A 4/1993 Mehmen
 5,261,682 A 11/1993 Chuang
 5,306,109 A 4/1994 Kreuzer et al.
 5,319,816 A 6/1994 Ruehl
 5,337,992 A 8/1994 Pryor et al.
 5,344,169 A 9/1994 Pryor et al.
 5,358,205 A 10/1994 Starkey et al.
 5,377,372 A 1/1995 Rudolf et al.
 5,411,044 A 5/1995 Andolfi
 5,476,432 A 12/1995 Dickens
 5,503,416 A 4/1996 Aoki et al.
 5,509,680 A 4/1996 Scharf et al.
 5,551,105 A 9/1996 Short
 5,699,988 A 12/1997 Boettger et al.
 5,704,577 A 1/1998 Gordon
 5,735,367 A 4/1998 Brubaker
 5,774,936 A 7/1998 Vetter
 5,857,685 A 1/1999 Phillips et al.
 5,898,961 A 5/1999 Ambach et al.
 5,927,441 A 7/1999 Luo
 D416,472 S * 11/1999 Huttner D8/370
 6,000,486 A 12/1999 Romick et al.
 D424,414 S * 5/2000 Ziaylek D8/373
 6,073,285 A 6/2000 Ambach et al.
 6,098,732 A 8/2000 Romick et al.
 6,099,002 A 8/2000 Uchiyama
 6,123,346 A 9/2000 Baldwin
 6,179,260 B1 1/2001 Ohanian
 D438,952 S 3/2001 Cimino et al.
 6,231,016 B1 5/2001 Slone
 D447,567 S 9/2001 Murphy et al.
 6,286,183 B1 9/2001 Stickel et al.
 6,315,308 B1 11/2001 Konopka
 6,360,389 B1 3/2002 Gallant
 6,375,133 B1 4/2002 Morrow
 6,394,470 B1 5/2002 Shirai
 D467,001 S 12/2002 Buczek et al.
 6,494,469 B1 12/2002 Hara et al.
 D477,083 S 7/2003 Bromley
 6,602,227 B1 8/2003 Cimino et al.
 6,626,445 B2 9/2003 Murphy et al.
 D486,915 S 2/2004 Warschewske et al.
 6,708,991 B1 3/2004 Ortlieb
 6,725,483 B2 4/2004 Gallant
 6,865,775 B2 3/2005 Ganance
 D503,981 S 4/2005 Fischer et al.
 6,874,800 B2 4/2005 George
 D510,015 S * 9/2005 Hostetler D8/373
 6,971,656 B2 12/2005 Lin
 D518,267 S 3/2006 Arceta
 D524,146 S * 7/2006 Jolson D6/567
 7,182,178 B2 2/2007 Chung
 7,182,350 B1 2/2007 Liao
 7,243,666 B2 7/2007 Carroll
 7,490,837 B2 2/2009 Pond et al.
 D588,272 S 3/2009 Meiser
 7,562,883 B2 7/2009 Livengood et al.
 D598,107 S 8/2009 West et al.
 D606,202 S 12/2009 Banryu

D613,866 S 4/2010 Tanaka et al.
 D619,264 S 7/2010 Livengood et al.
 D619,265 S 7/2010 Livengood et al.
 D626,235 S 10/2010 Smith et al.
 D632,796 S 2/2011 Ross et al.
 D632,797 S 2/2011 Ross et al.
 D643,535 S 8/2011 Ross et al.
 D648,855 S 11/2011 Smith et al.
 D652,936 S 1/2012 Ross et al.
 D657,470 S 4/2012 Schon et al.
 8,191,909 B2 6/2012 Livengood et al.
 8,240,684 B2 8/2012 Ross et al.
 8,286,977 B2 10/2012 Butler et al.
 D687,147 S 7/2013 Yoshida
 D696,783 S 12/2013 Chung et al.
 D699,852 S 2/2014 Chung et al.
 D700,706 S 3/2014 Molter
 D702,840 S 4/2014 Blomquist et al.
 D722,696 S 2/2015 Blomquist et al.
 D733,887 S 7/2015 Blomquist et al.
 D739,025 S 9/2015 Blomquist et al.
 D739,936 S 9/2015 Blomquist et al.
 2002/0014751 A1 2/2002 Hanson et al.
 2002/0068914 A1 6/2002 Ikeda
 2002/0096608 A1 7/2002 Cedarberg
 2004/0036386 A1 2/2004 Olivera
 2004/0046487 A1 3/2004 Olivera et al.
 2004/0059303 A1 3/2004 Anderson et al.
 2004/0105733 A1 6/2004 Hewitt
 2004/0139545 A1 7/2004 Reinke et al.
 2004/0262867 A1 12/2004 Arceta et al.
 2005/0023787 A1 2/2005 Haynes
 2005/0288571 A1 12/2005 Perkins
 2006/0082088 A1 4/2006 Webster et al.
 2007/0107761 A1 5/2007 Kovachi et al.
 2011/0056412 A1 3/2011 Grammer
 2012/0246869 A1 10/2012 Livengood et al.

FOREIGN PATENT DOCUMENTS

WO WO 00/09061 2/2000
 WO WO 02/15837 2/2002
 WO WO 02/024252 3/2002
 WO WO 03/016719 2/2003
 WO WO 03/094817 11/2003

OTHER PUBLICATIONS

Author Unknown, "Computer Carts; StyleView™ Cart with CF™", Ergotron, as early as Oct. 10, 2004, pp. 1-2, available at http://www.ergotron.com/3_products/carts/sview/default.asp.
 Examiner's Report for Canadian Design Patent Application No. 130231, mailed Nov. 20, 2009, 3 pages.
 Examiner's Report for Canadian Design Patent Application No. 130231, mailed Apr. 29, 2010, pp. 1-3.
 Examiner's Report for Canadian Design Patent Application No. 134450, mailed Apr. 29, 2010, pp. 1-4.
 Restriction Requirement for U.S. Appl. No. 29/325,581, mailed Nov. 10, 2009, pp. 1-4.
 Official Action for U.S. Appl. No. 29/325,581, mailed Dec. 10, 2009, pp. 1-6.
 Notice of Allowance for U.S. Appl. No. 29/325,581, mailed Apr. 23, 2010, pp. 1-7.
 Notice of Allowance for U.S. Appl. No. 29/350,539, mailed Apr. 26, 2010, pp. 1-7.
 Official Action for European Patent Application No. 08835307.3, dated Feb. 29, 2016 5 pages.
 Official Action for Canada Patent Application No. 164345, dated Jun. 2, 2016 1 pages.
 Official Action for U.S. Appl. No. 29/520,286, mailed Dec. 4, 2015 7 pages.
 Ex parte Quayle Official Action for U.S. Appl. No. 29/520,286, mailed Aug. 5, 2016 7 pages.

* cited by examiner

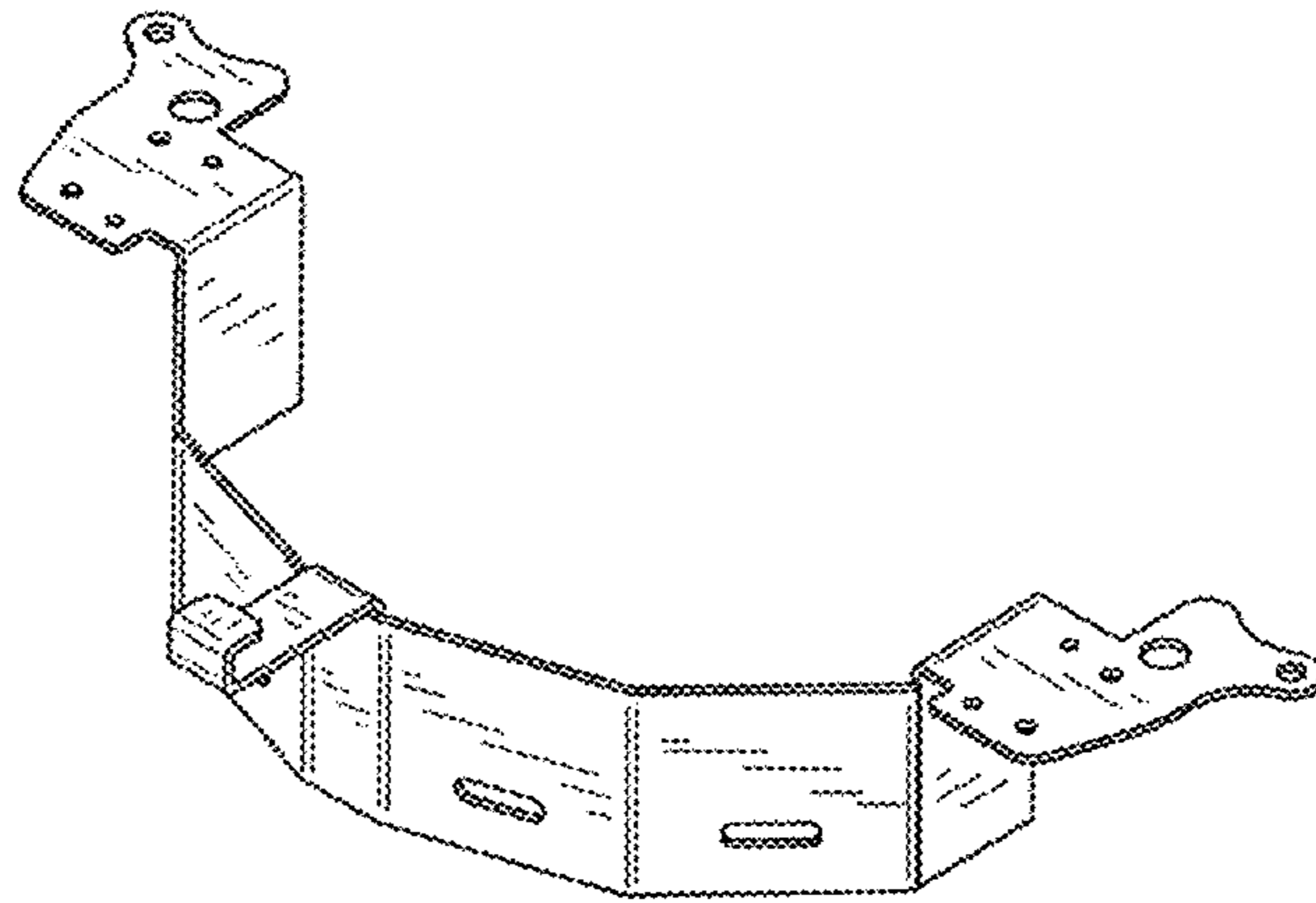


FIG. 1

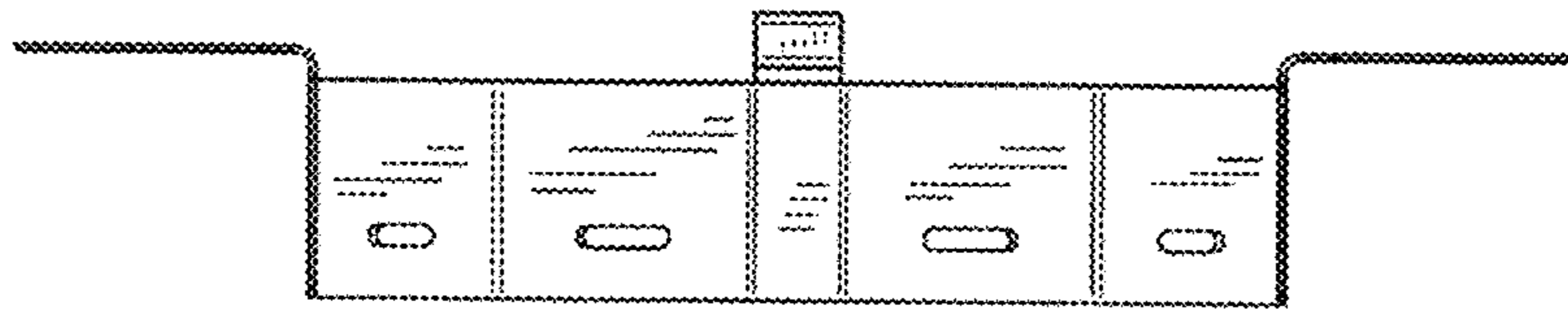


FIG. 2

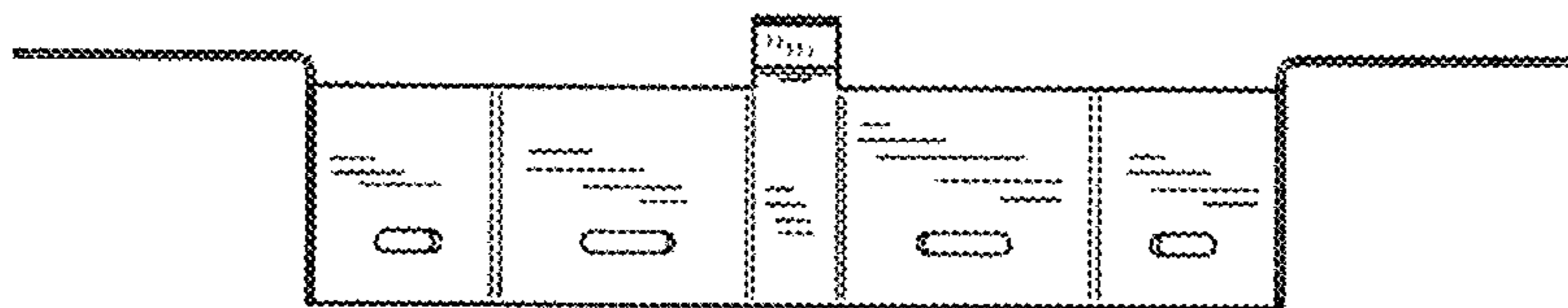


FIG. 3

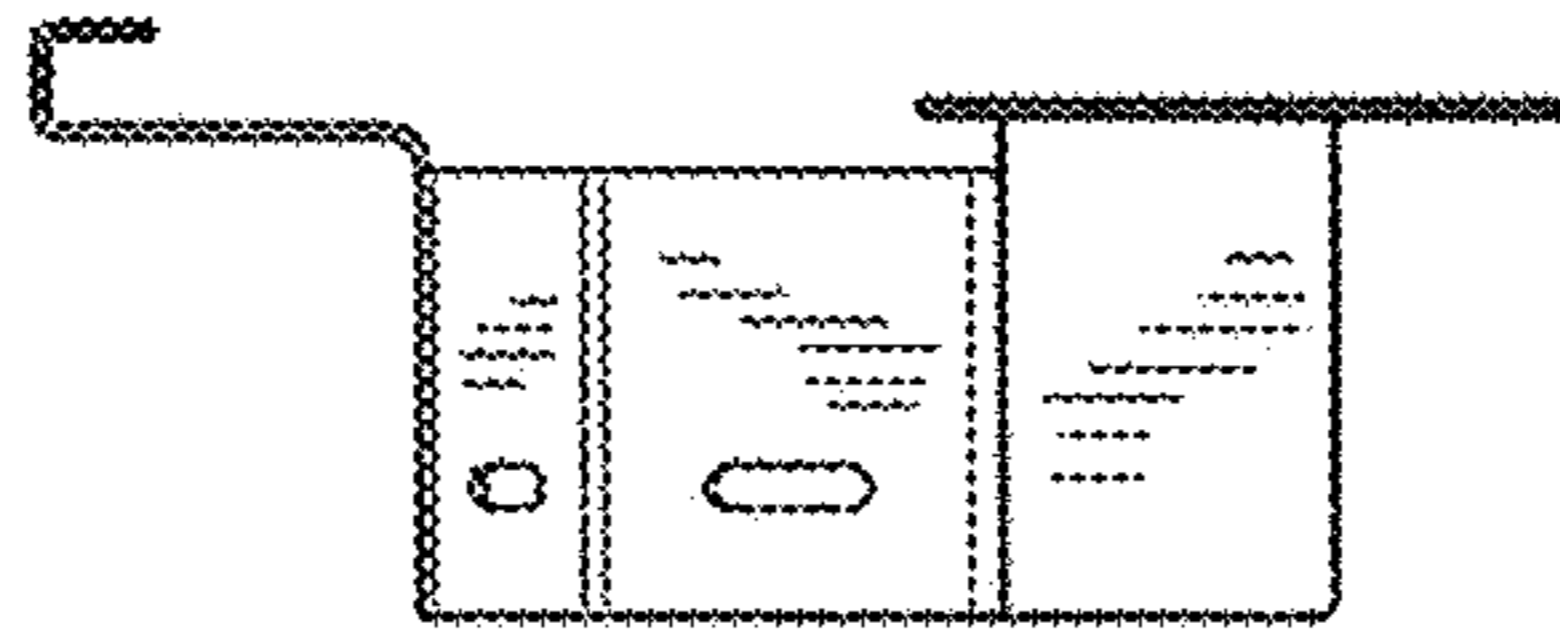


FIG. 4

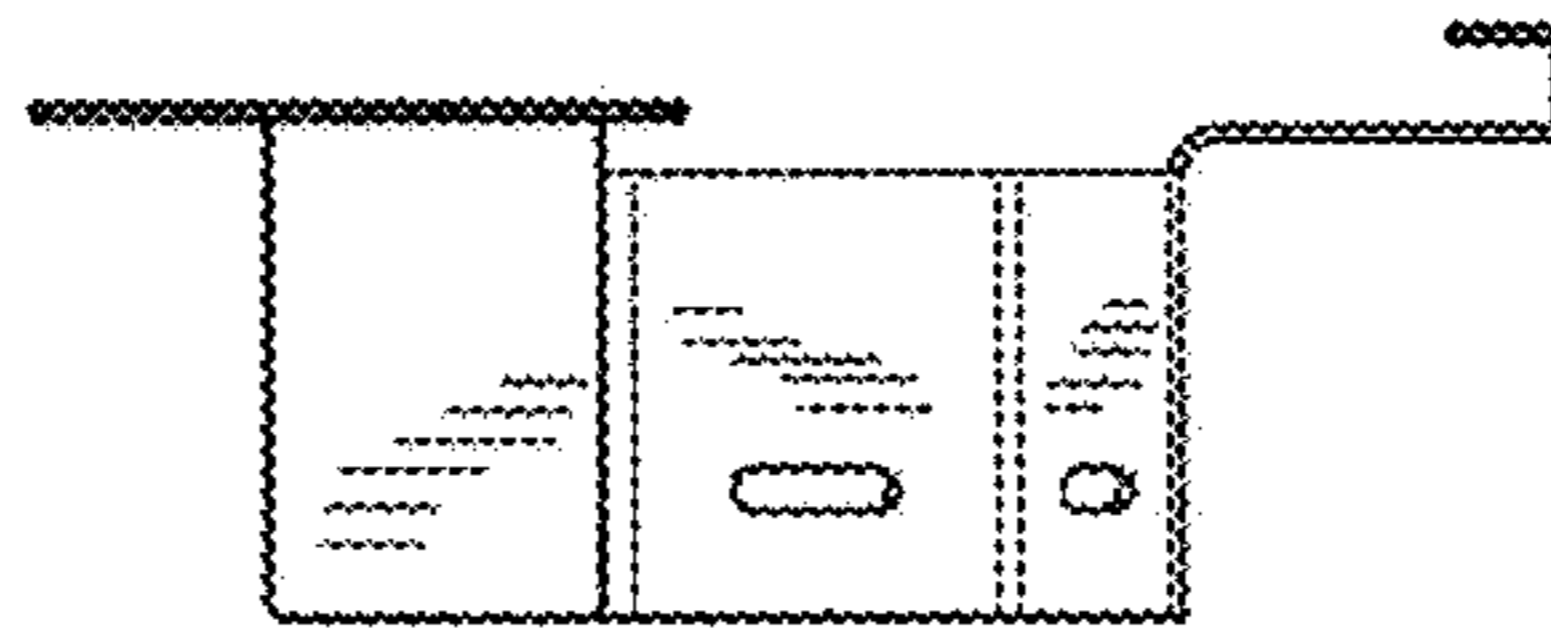


FIG. 5

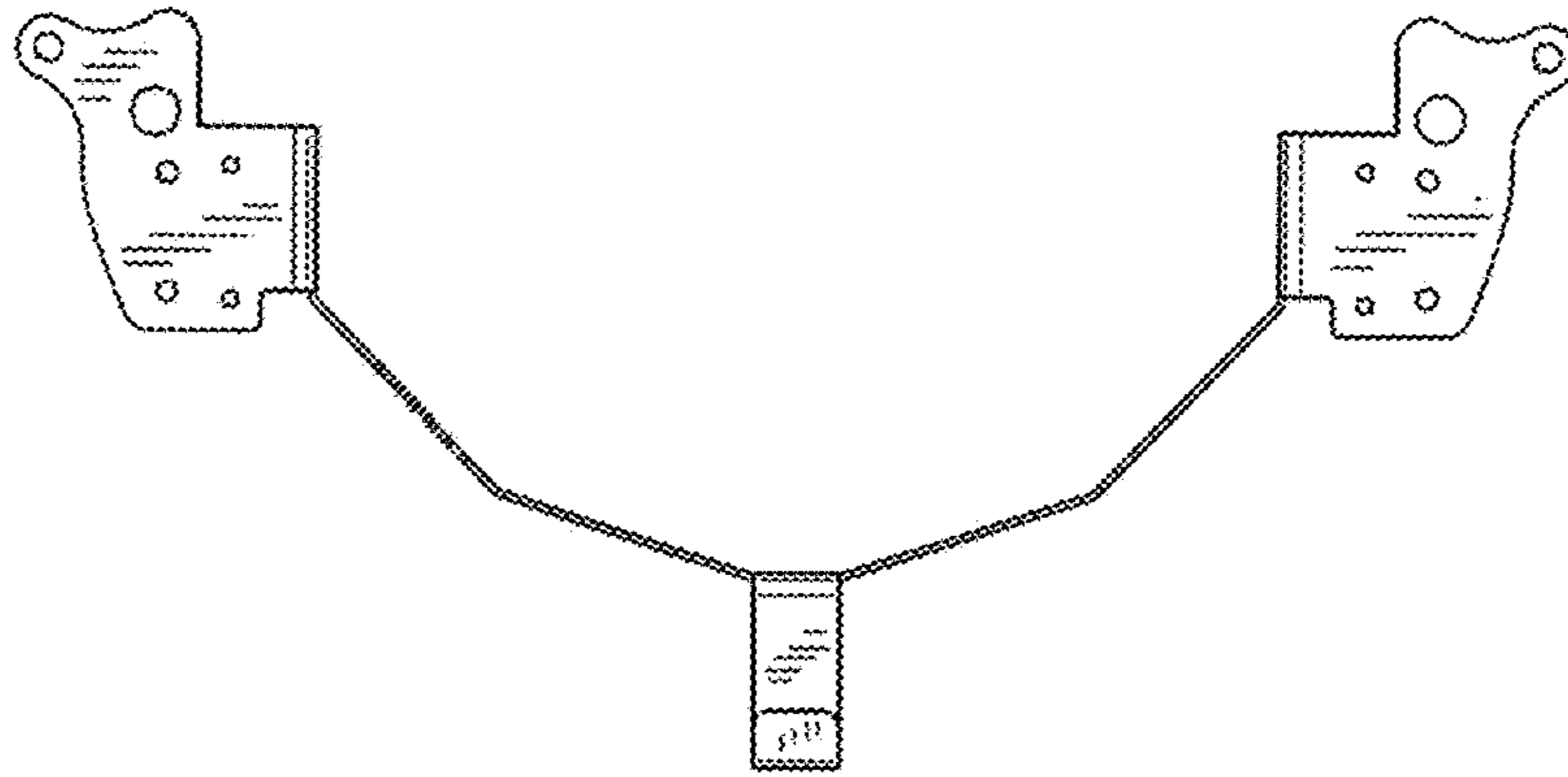


FIG. 6

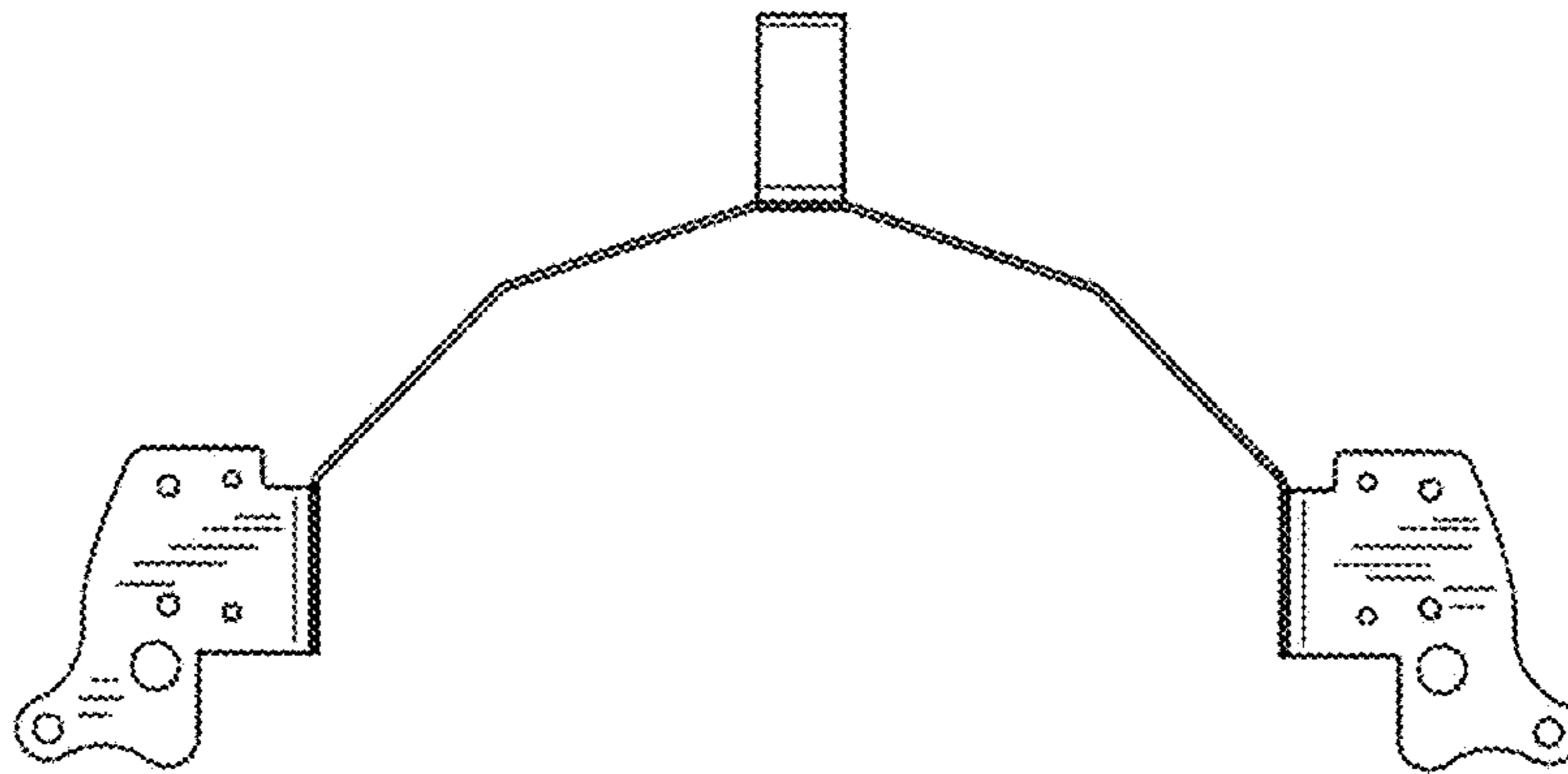


FIG. 7

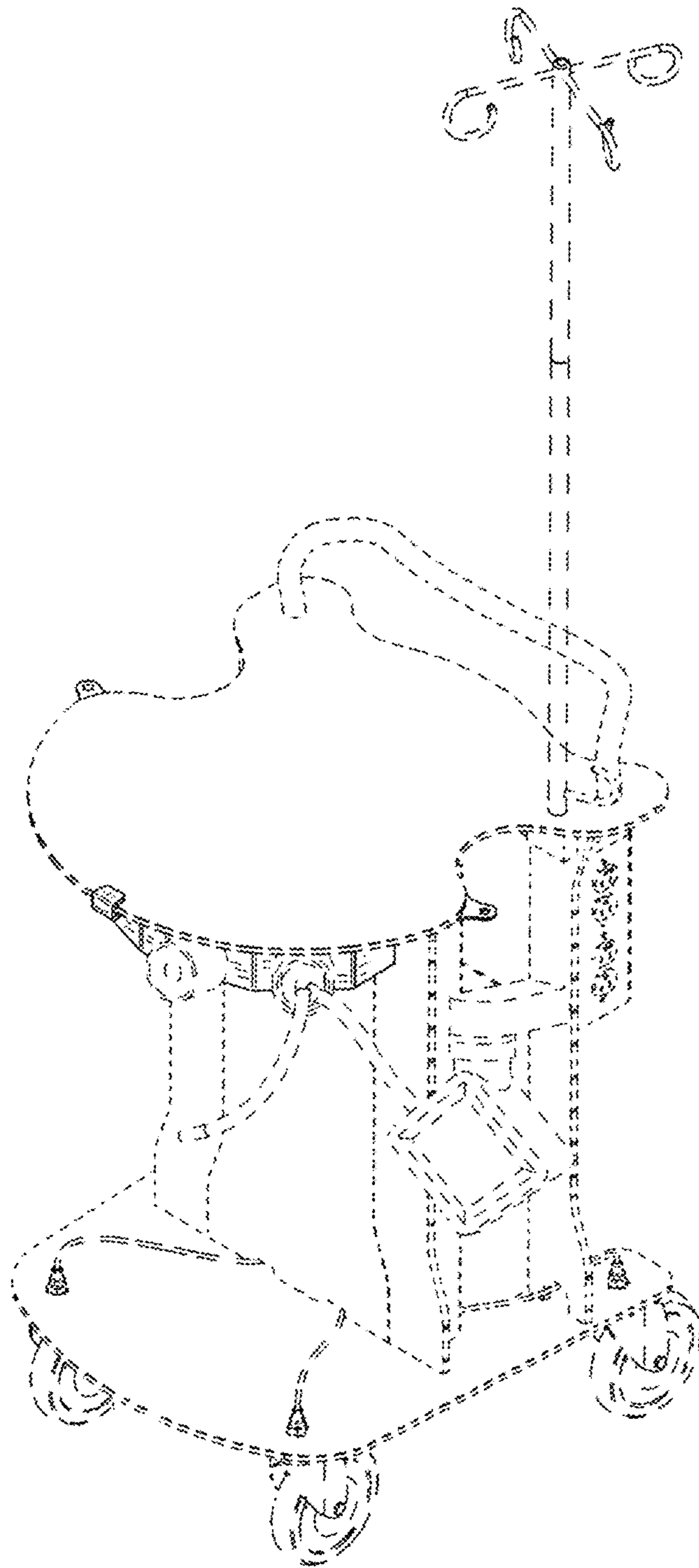


FIG. 8